



US00D684976S

(12) **United States Design Patent**
Akana et al.

(10) **Patent No.:** **US D684,976 S**
(45) **Date of Patent:** **** Jun. 25, 2013**

(54) **ADAPTER**

(76) Inventors: **Jody Akana**, San Francisco, CA (US);
Bartley K. Andre, Menlo Park, CA
(US); **Jeremy Bataillou**, San Francisco,
CA (US); **Daniel J. Coster**, San
Francisco, CA (US); **Daniele De Iuliis**,
San Francisco, CA (US); **M. Evans**
Hankey, San Francisco, CA (US);
Julian Hoenig, San Francisco, CA (US);
Richard P. Howarth, San Francisco, CA
(US); **Jonathan P. Ive**, San Francisco,
CA (US); **Duncan Robert Kerr**, San
Francisco, CA (US); **Shin Nishibori**,
Kailua, HI (US); **Matthew Dean**
Rohrbach, San Francisco, CA (US);
Peter Russell-Clarke, San Francisco,
CA (US); **Christopher J. Stringer**,
Woodside, CA (US); **Eugene Antony**
Whang, San Francisco, CA (US); **Rico**
Zorkendorfer, San Francisco, CA (US)

(**) Term: **14 Years**

(21) Appl. No.: **29/431,556**

(22) Filed: **Sep. 7, 2012**

(51) **LOC (9) Cl.** **14-02**

(52) **U.S. Cl.**
USPC **D14/433**

(58) **Field of Classification Search**
USPC D14/356-358, 383-385, 420, 426,
D14/427, 432-439, 447, 453, 454, 217, 253,
D14/299; D13/107, 108, 133, 146, 147, 152,
D13/154, 156, 158, 162, 162.1, 168, 173,
D13/177; 439/131, 172-174, 373, 378;
361/679.08, 679.56, 679.21, 679.4

See application file for complete search history.

(56) **References Cited**

U.S. PATENT DOCUMENTS

D304,028	S	10/1989	Matsuzaki	
5,179,501	A	1/1993	Ocken et al.	
D336,746	S *	6/1993	Tse	D14/433
D369,157	S	4/1996	Ohmori et al.	
5,568,006	A	10/1996	Luff et al.	
D399,047	S	10/1998	Yoshida et al.	
6,137,710	A	10/2000	Iwasaki et al.	

(Continued)

FOREIGN PATENT DOCUMENTS

WO	WO 2006/074348	A1	7/2006	
WO	WO 2011/150403	A1	12/2011	

(Continued)

OTHER PUBLICATIONS

Co-Pending U.S. Appl. No. 29/441,757, Akana et al., "USB Device,"
filed Jan. 9, 2013 (Not Published).

(Continued)

Primary Examiner — Austin Murphy

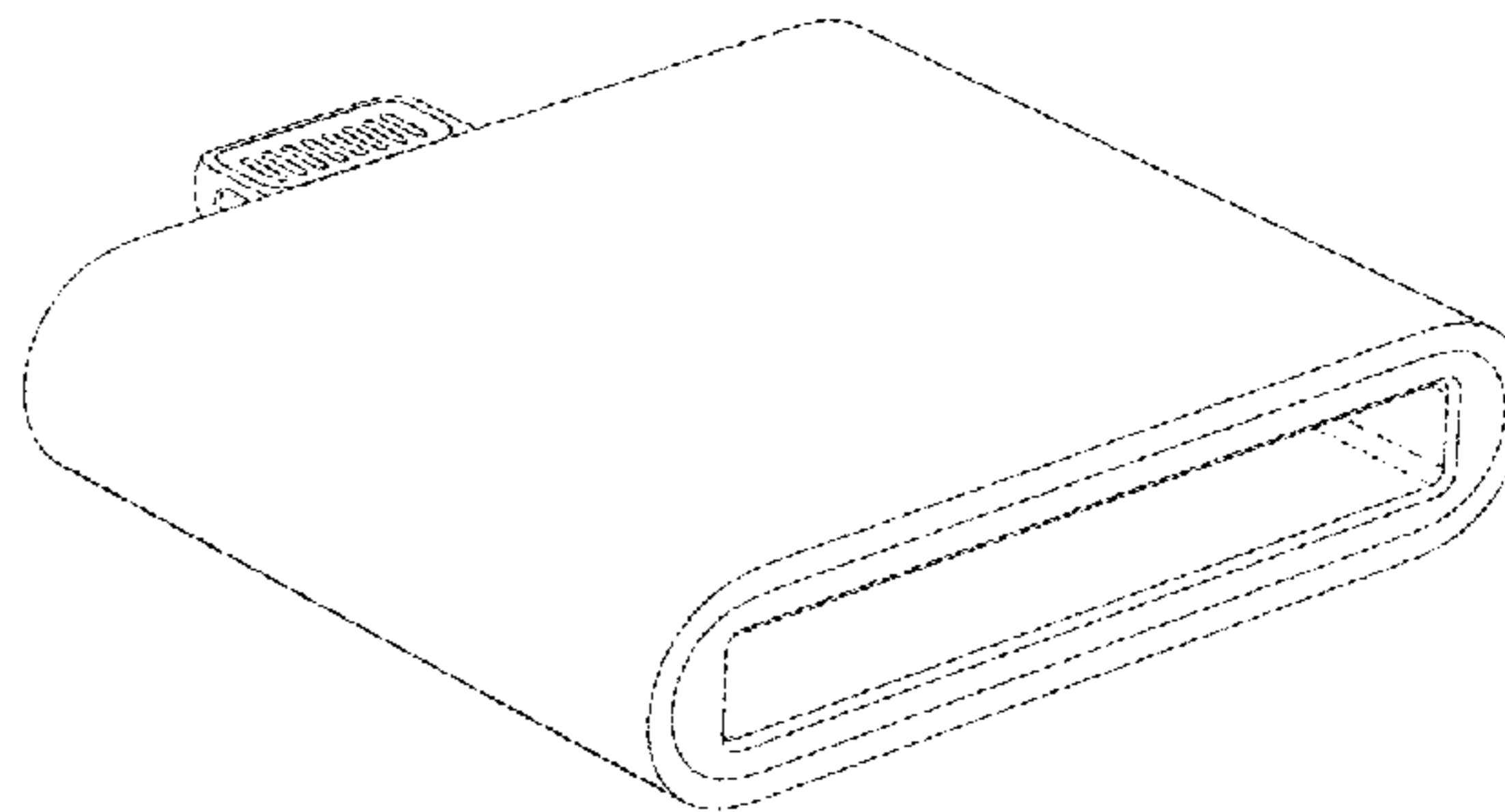
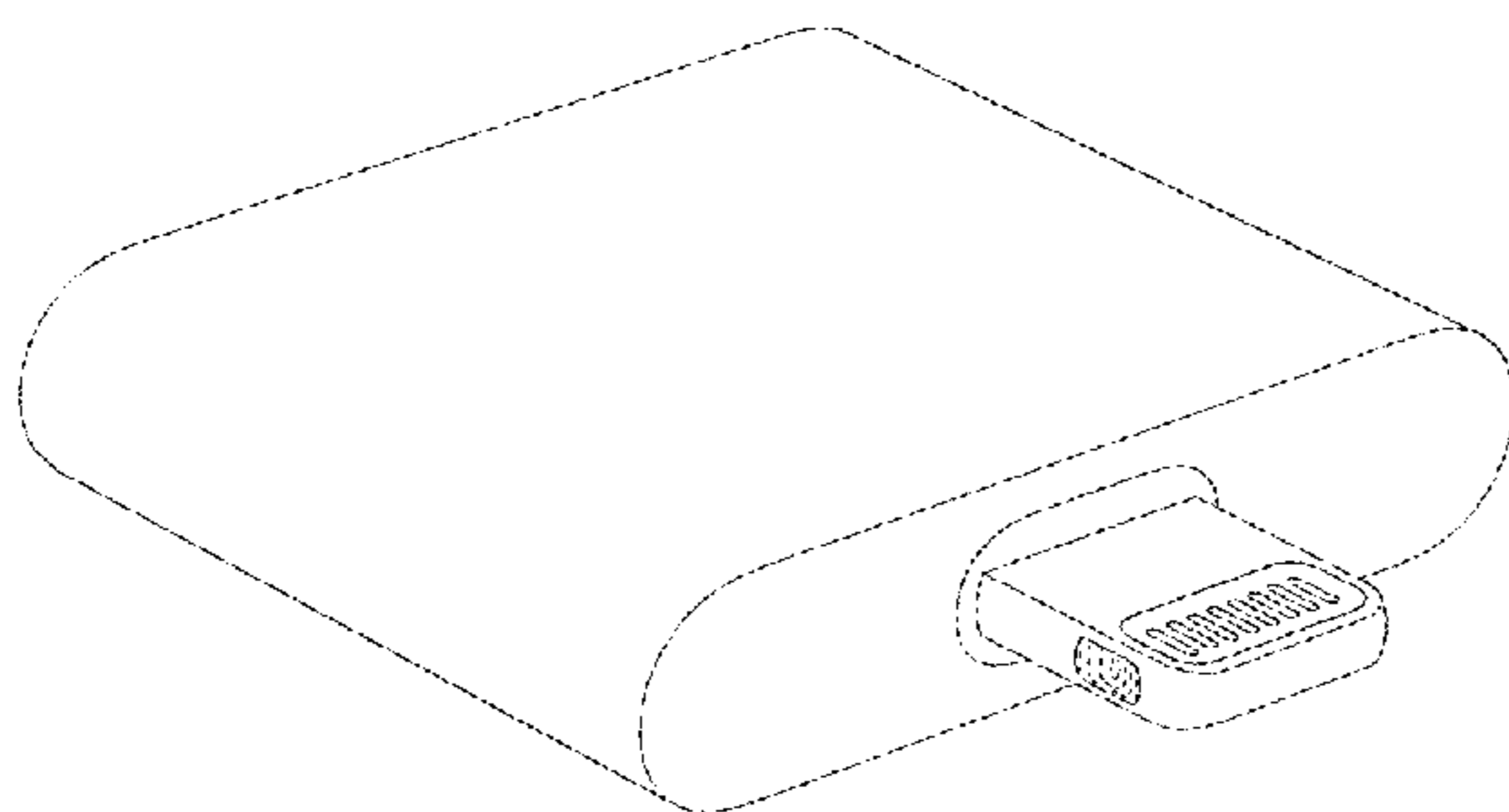
(57) **CLAIM**

The ornamental design for an adapter, as shown and
described.

DESCRIPTION

FIG. 1 is a top front perspective view of an adapter showing
our new design;
FIG. 2 is a bottom rear perspective view thereof;
FIG. 3 is a front view thereof, the rear view being a mirror
image thereof;
FIG. 4 is a side view thereof, the other side view being a
mirror image thereof;
FIG. 5 is a bottom view thereof; and,
FIG. 6 is a top view thereof.
The shadelines in the Figures show contour and not surface
ornamentation.

1 Claim, 4 Drawing Sheets



U.S. PATENT DOCUMENTS

D446,499	S	8/2001	Andre et al.	
D452,245	S	12/2001	Wallace et al.	
D452,246	S	12/2001	Wallace et al.	
D454,110	S	3/2002	Andre et al.	
6,483,038	B2	11/2002	Lee et al.	
D487,747	S	3/2004	Yu et al.	
D490,796	S	6/2004	Allen	
D515,545	S	2/2006	Griffin	
D522,463	S	6/2006	Novotney et al.	
D525,977	S	8/2006	Yao	
7,094,089	B2	8/2006	Andre et al.	
D531,127	S	10/2006	Zhong et al.	
D534,184	S	12/2006	Leija et al.	
D534,545	S	1/2007	Leija et al.	
D537,036	S	* 2/2007	Chen	D14/433
D537,780	S	3/2007	Suckle	
D552,099	S	10/2007	Nishizawa et al.	
D552,604	S	10/2007	Andre et al.	
7,341,472	B2	3/2008	Chao et al.	
D565,571	S	* 4/2008	Trifilio et al.	D14/434
D569,848	S	5/2008	Suzuki	
D574,834	S	* 8/2008	Chen	D14/432
D577,008	S	9/2008	Andre et al.	
D577,990	S	10/2008	Andre et al.	
D578,991	S	10/2008	Donovan et al.	
D587,209	S	2/2009	Tsai et al.	
D588,545	S	3/2009	Andre et al.	
D594,418	S	6/2009	Fujino et al.	
D604,725	S	* 11/2009	Chen	D14/240
D605,650	S	* 12/2009	Ribeiro	D14/433
D607,886	S	1/2010	Bolotin et al.	
D617,776	S	6/2010	Hightower	
D618,226	S	* 6/2010	Tong et al.	D14/240
D618,240	S	6/2010	Larmour et al.	
D619,127	S	* 7/2010	Tong et al.	D14/240
D621,785	S	8/2010	Nickol	
D624,548	S	* 9/2010	Yamamoto	D14/433
D631,883	S	* 2/2011	Maier	D14/435.1
D634,326	S	3/2011	Gehrke	
D637,193	S	5/2011	Andre et al.	
D641,023	S	* 7/2011	Chen et al.	D14/433
D643,040	S	8/2011	Sedio et al.	
D655,296	S	3/2012	Andre et al.	
D656,147	S	3/2012	Schlossstein	
D658,665	S	5/2012	Akana et al.	
D659,150	S	5/2012	Andre	
D665,734	S	* 8/2012	Fitch et al.	D13/107
D665,754	S	8/2012	Cobbett et al.	
D672,780	S	* 12/2012	Chen et al.	D14/433
2002/0170972	A1	11/2002	Kim	
2005/0202727	A1	9/2005	Andre et al.	
2007/0229025	A1	10/2007	Tsai et al.	
2007/0293079	A1	12/2007	Chao et al.	
2011/0199729	A1	8/2011	Hsieh	
2012/0252256	A1	10/2012	Zhu et al.	

FOREIGN PATENT DOCUMENTS

WO	WO 2011/160138	A2	12/2011
WO	WO 2011/163256	A1	12/2011
WO	WO 2011/163260	A1	12/2011
WO	WO 2012/103383	A2	8/2012

OTHER PUBLICATIONS

U.S. Appl. No. 29/353,310, Akana et al., "SD Card Reader," filed Jan. 6, 2010 (Not Published).
 U.S. Appl. No. 29/375,909, Andre et al., "Connector," filed Sep. 29, 2010 (Not Published).
 U.S. Appl. No. 13/250,920, Siahaan et al., "Connector with Multi-Layer NI Underplated Contacts," filed Sep. 30, 2011 (Not Published).
 U.S. Appl. No. 29/403,337, Akana et al., "USB Adapter," filed Oct. 4, 2011 (Not Published).
 U.S. Appl. No. 13/346260, Jol et al., "Hotbar Device and Methods for Assembling Electrical Contacts to Ensure Co-Planarity," filed Jan. 9, 2012 (Not Published).
 U.S. Appl. No. 29/424,257, Akana et al., "Connector," filed Jun. 8, 2012 (Not Published).

U.S. Appl. No. 29/424,258, Akana et al., "Adapter," filed Jun. 8, 2012 (Not Published).
 U.S. Appl. No. 61/668,074, Terlizzi et al., "Techniques for Monitoring Contacts in a Connector," filed Jul. 5, 2012 (Not Published).
 U.S. Appl. No. 61/693,228, Weber et al., "Self-Lubricating Retention Mechanism," filed Aug. 24, 2012 (Not Published).
 U.S. Appl. No. 61/693,232, Weber et al., "Retention Mechanism Having Improved Fatigue Strength," filed Aug. 24, 2012 (Not Published).
 U.S. Appl. No. 61/698,496, Zadesky et al., "Context Aware Functionality in a Portable Electronic Device," filed Sep. 7, 2012 (Not Published).
 U.S. Appl. No. 61/698,538, Soohoo et al., "Plug Connector," filed Sep. 7, 2012 (Not Published).
 U.S. Appl. No. 13/607,366, Golko et al., "Dual Orientation Electronic Connector," filed Sep. 7, 2012 (Not Published).
 U.S. Appl. No. 13/607,404, Mullins et al., "Techniques for Detecting Removal of a Connector," filed Sep. 7, 2012 (Not Published).
 U.S. Appl. No. 13/607,426, Mullins et al., "Data Structures for Facilitating Communication Between a Host Device and an Accessory," filed Sep. 7, 2012 (Not Published).
 U.S. Appl. No. 13/607,430, Sarwar et al., "Audio/Video Connector for an Electronic Device," filed Sep. 7, 2012 (Not Published).
 U.S. Appl. No. 13/607,443, Fritchman et al., "Connector Adapter," filed Sep. 7, 2012 (Not Published).
 U.S. Appl. No. 13/607,446, Terlizzi et al., "Cascading Power for Accessories," filed Sep. 7, 2012 (Not Published).
 U.S. Appl. No. 13/607,454, Andrews et al., "Accessory Booting Over USB," filed Sep. 7, 2012 (Not Published).
 U.S. Appl. No. 13/607,462, Golko et al., "Connector Architecture and Insertion Profile," filed Sep. 7, 2012 (Not Published).
 U.S. Appl. No. 13/607,473, Mullins et al., "Methods, Systems and Apparatus for Determining Whether an Accessory Includes Particular Circuitry," filed Sep. 7, 2012 (Not Published).
 U.S. Appl. No. 13/607,478, Mullins et al., "Methods, Systems and Apparatus for Enabling an Accessory for Use with a Host Device," filed Sep. 7, 2012 (Not Published).
 U.S. Appl. No. 13/607,497, Weber et al., "Retention Mechanism Device," filed Sep. 7, 2012 (Not Published).
 U.S. Appl. No. 13/607,502, Weber et al., "Underfill Applicator Device and Methods for Assembling Electrical Contacts," filed Sep. 7, 2012 (Not Published).
 U.S. Appl. No. 13/607,519, Terlizzi et al., "Adapter for Electronic Devices," filed Sep. 7, 2012 (Not Published).
 U.S. Appl. No. 13/607,528, Ardisana, II et al., "Reinforcing Bars in I/O Connectors," filed Sep. 7, 2012 (Not Published).
 U.S. Appl. No. 13/607,550, Terlizzi et al., "Techniques for Configuring Contacts of a Connector," filed Sep. 7, 2012 (Not Published).
 U.S. Appl. No. 13/607,553, Rich et al., "Adapter for Use With a Portable Electronic Device," filed Sep. 7, 2012 (Not Published).
 U.S. Appl. No. 13/607,554, Golko et al., "Insert-Molded Connector Contacts," filed Sep. 7, 2012 (Not Published).
 U.S. Appl. No. 13/607,563, Golembeski et al., "Multi-Mode Adapter," filed Sep. 7, 2012 (Not Published).
 U.S. Appl. No. 13/607,566, Golko et al., "Plug Connector Modules," filed Sep. 7, 2012 (Not Published).
 U.S. Appl. No. 13/607,598, Colahan et al., "Compliant Mount for Connector," filed Sep. 7, 2012 (Not Published).
 U.S. Appl. No. 13/607,600, Weber et al., "Retention Mechanism Having Improved Fatigue Strength," filed Sep. 7, 2012 (Not Published).
 International Application No. PCT/US12/54318, Apple Inc., "Connectors for Electronic Devices," filed Sep. 7, 2012 (Not Published).
 U.S. Appl. No. 61/699,818, Uttermann et al., "Connector Trim," filed Sep. 11, 2012 (Not Published).
 U.S. Appl. No. 61/699,838, Webb et al., "Dock Connector With Compliance Mechanism," filed Sep. 11, 2012 (Not Published).
 U.S. Appl. No. 13/610,326, Siahaan et al., "Assembly of a Cable," filed Sep. 11, 2012 (Not Published).
 U.S. Appl. No. 13/610,631, Schmidt et al., "Connectors and Methods for Manufacturing Connectors," filed Sep. 11, 2012 (Not Published).
 U.S. Appl. No. 13/610,750, Webb et al., "Single-Piece Shield Can," filed Sep. 11, 2012 (Not Published).

US D684,976 S

Page 3

U.S. Appl. No. 13/610,832, Webb et al., "Dock with Compliant Connector Mount," filed Sep. 11, 2012 (Not Published).
Co-Pending U.S. Appl. No. 29/426,587, Akana et al., "Connector," filed Jul. 6, 2012 (Not Published).
Co-Pending U.S. Appl. No. 29/431,841, Akana et al., "Adapter," filed Sep. 11, 2012 (Not Published).
Co-Pending U.S. Appl. No. 29/432,034, Akana et al., "Connector Silhouette," filed Sep. 12, 2012 (Not Published).

International Application No. PCT/CN2012/081245, Apple Inc., "Rack Plating," filed Sep. 11, 2012 (Not Published).
International Application No. PCT/CN2012/081257, Apple Inc., "Connectors and Method for Manufacturing Connectors," filed Sep. 11, 2012 (Not Published).

* cited by examiner

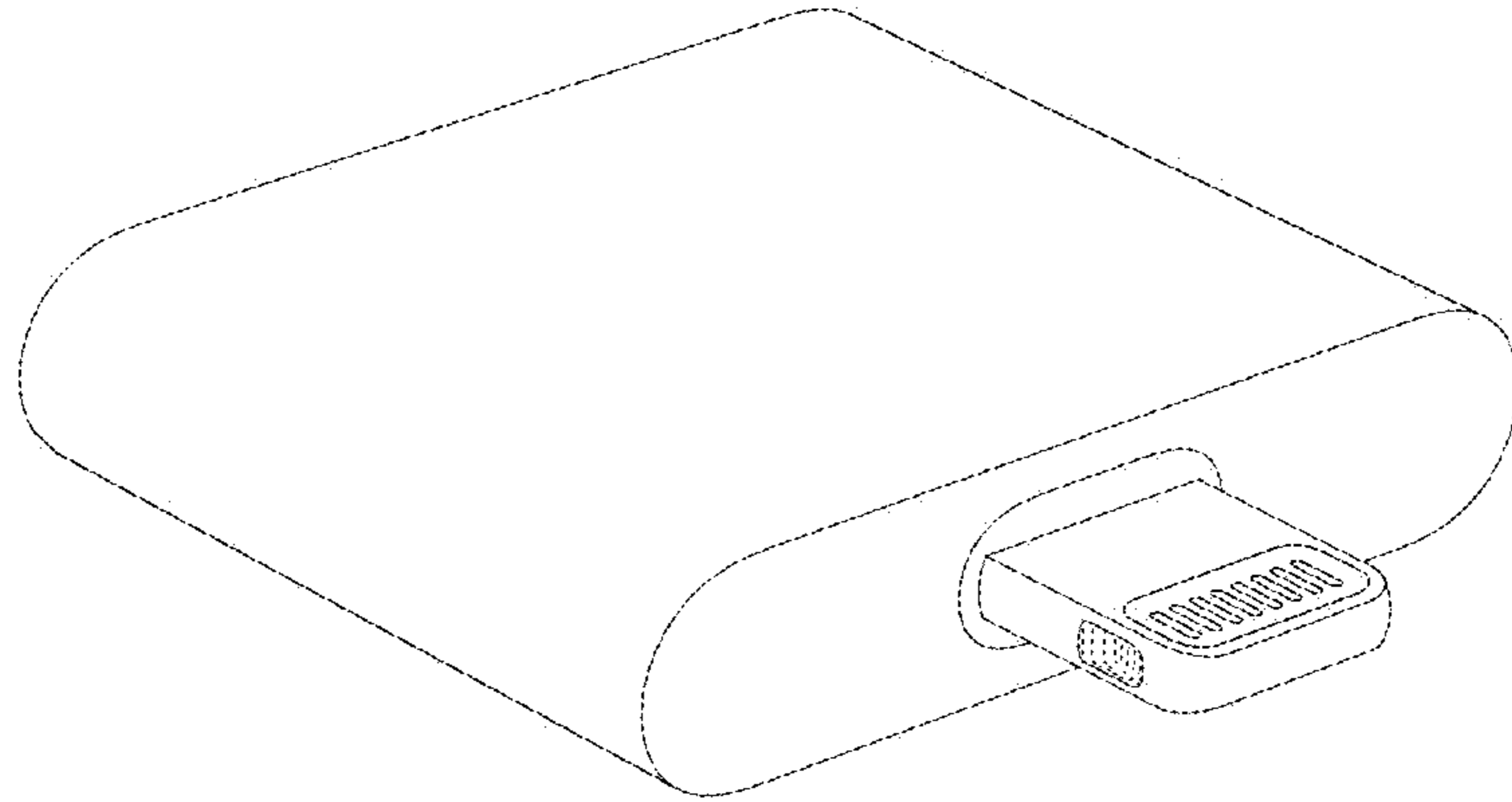


FIG. 1

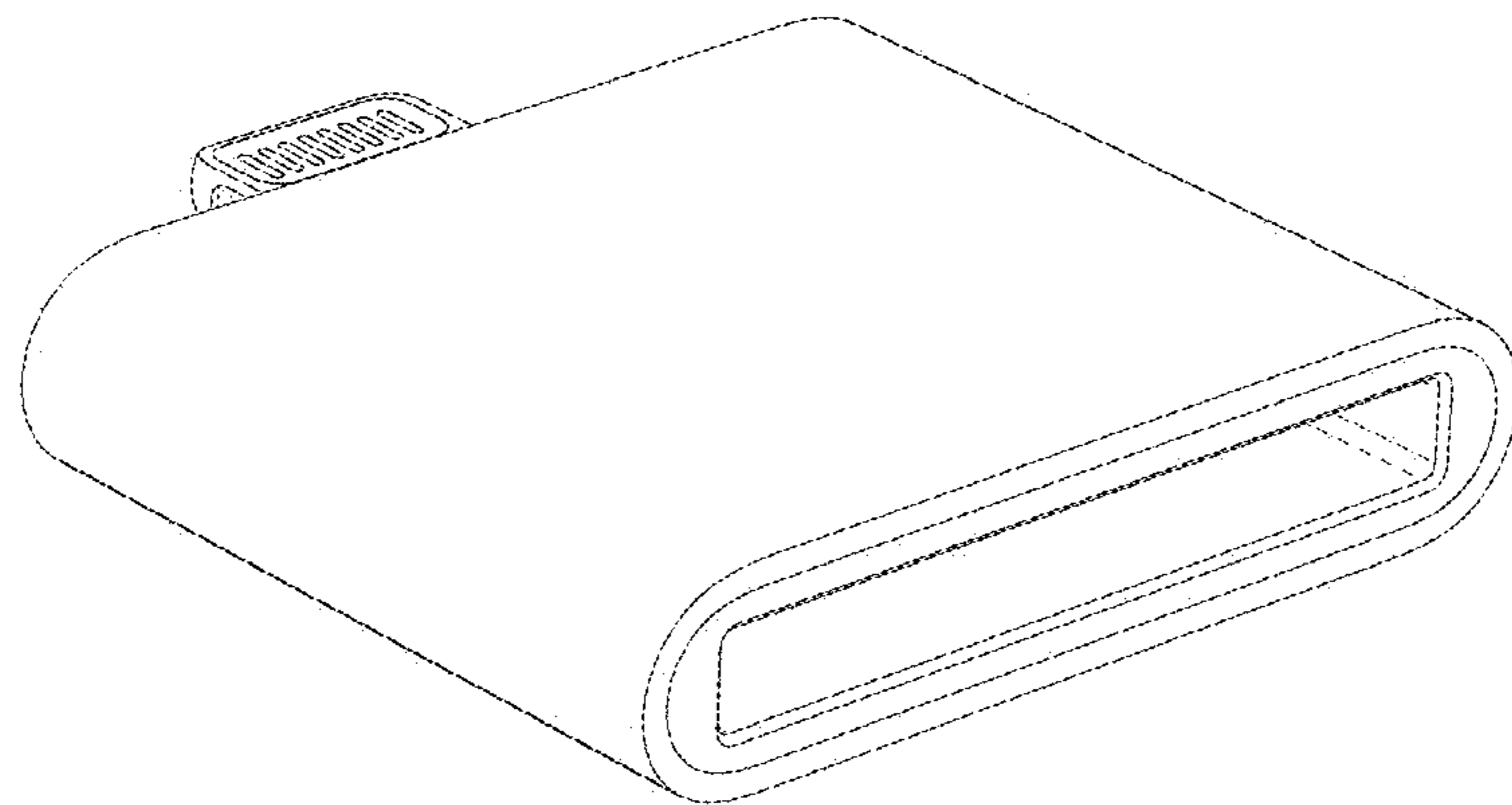


FIG. 2

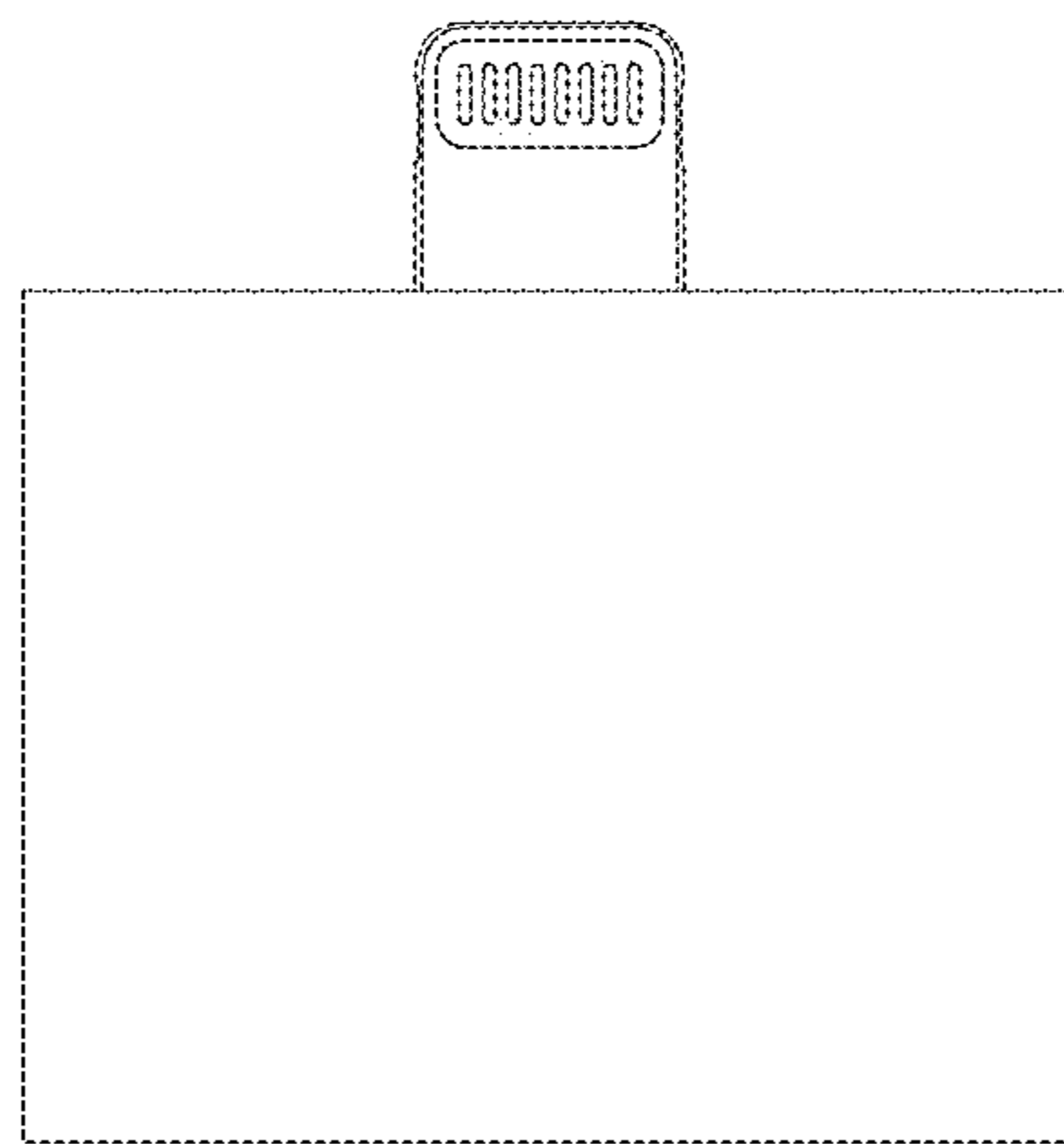


FIG. 3



FIG. 4

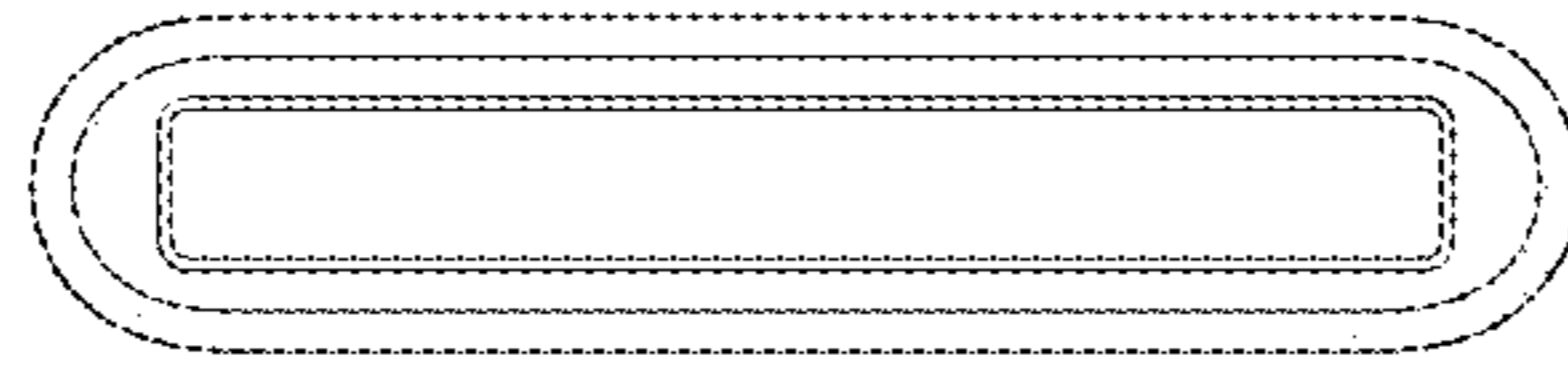


FIG. 5

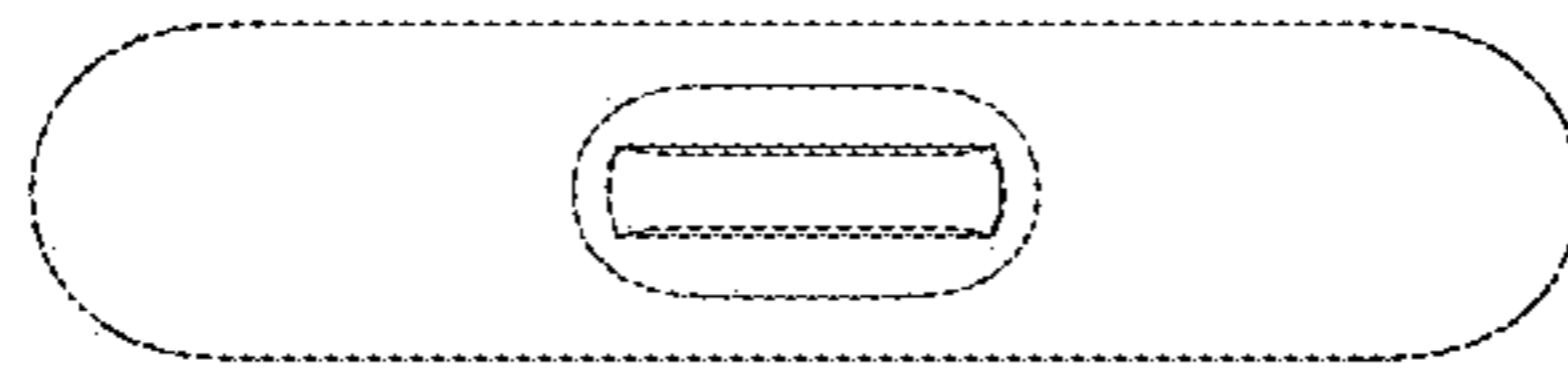


FIG. 6

UNITED STATES PATENT AND TRADEMARK OFFICE
CERTIFICATE OF CORRECTION

PATENT NO. : D684,976 S
APPLICATION NO. : 29/431556
DATED : June 25, 2013
INVENTOR(S) : Jody Akana et al.

Page 1 of 6

It is certified that error appears in the above-identified patent and that said Letters Patent is hereby corrected as shown below:

The Title page showing the illustrative figures should be deleted and replaced with the attached title page.

On the Title page, Change Item (76) to Item (75)

On the Title Page, please insert Item -- (73) Assignee: Apple Inc., Cupertino, CA (US) --

In the drawings:

Delete sheet 1 of 4 consisting of FIG. 1 and FIG. 2 replace with the attached sheet 1 of 4 showing FIG. 1 and FIG. 2

Delete sheet 2 of 4 consisting of FIG. 3 and replace with the attached sheet 2 of 4 showing FIG. 3

Delete sheet 3 of 4 consisting of FIG. 4 and replace with the attached sheet 3 of 4 showing FIG. 4

Delete sheet 4 of 4 consisting of FIG. 5 and FIG. 6 replace with the attached sheet 4 of 4 showing FIG. 5 and FIG. 6

Signed and Sealed this
Tenth Day of September, 2013



Teresa Stanek Rea
Acting Director of the United States Patent and Trademark Office

(12) **United States Design Patent**
Akana et al.

(10) **Patent No.:** **US D684,976 S**
(45) **Date of Patent:** **** Jun. 25, 2013**

(54) **ADAPTER**

(76) **Inventors:** **Jody Akana**, San Francisco, CA (US); **Bartley K. Andre**, Menlo Park, CA (US); **Jeremy Bataillon**, San Francisco, CA (US); **Daniel J. Coster**, San Francisco, CA (US); **Daniele De Iuliis**, San Francisco, CA (US); **M. Evans Hankey**, San Francisco, CA (US); **Julian Hoenig**, San Francisco, CA (US); **Richard P. Howarth**, San Francisco, CA (US); **Jonathan P. Ive**, San Francisco, CA (US); **Duncan Robert Kerr**, San Francisco, CA (US); **Shin Nishibori**, Kailua, HI (US); **Matthew Dean Rohrbach**, San Francisco, CA (US); **Peter Russell-Clarke**, San Francisco, CA (US); **Christopher J. Stringer**, Woodside, CA (US); **Eugene Antony Whang**, San Francisco, CA (US); **Rico Zorkendorfer**, San Francisco, CA (US)

(**) **Term:** **14 Years**

(21) **Appl. No.:** **29/431,556**

(22) **Filed:** **Sep. 7, 2012**

(51) **LOC (9) Cl.** **14-02**

(52) **U.S. Cl.**
USPC **D14/433**

(58) **Field of Classification Search**
USPC **D14/356-358, 383-385, 420, 426, D14/427, 432-439, 447, 453, 454, 217, 253, D14/299; D13/107, 108, 133, 146, 147, 152, D13/154, 156, 158, 162, 162.1, 168, 173, D13/177; 439/131, 172-174, 373, 378; 361/679.08, 679.56, 679.21, 679.4**

See application file for complete search history.

(56) **References Cited**

U.S. PATENT DOCUMENTS

D304,028 S	10/1989	Matsuzaki	
5,179,501 A	1/1993	Ocken et al.	
D336,746 S *	6/1993	Tse	D14/433
D369,157 S	4/1996	Ohmori et al.	
5,568,006 A	10/1996	Luff et al.	
D399,047 S	10/1998	Yoshida et al.	
6,137,710 A	10/2000	Iwasaki et al.	

(Continued)

FOREIGN PATENT DOCUMENTS

WO	WO 2006/074348 A1	7/2006
WO	WO 2011/150403 A1	12/2011

(Continued)

OTHER PUBLICATIONS

Co-Pending U.S. Appl. No. 29/441,757, Akana et al., "USB Device," filed Jan. 9, 2013 (Not Published).

(Continued)

Primary Examiner — Austin Murphy

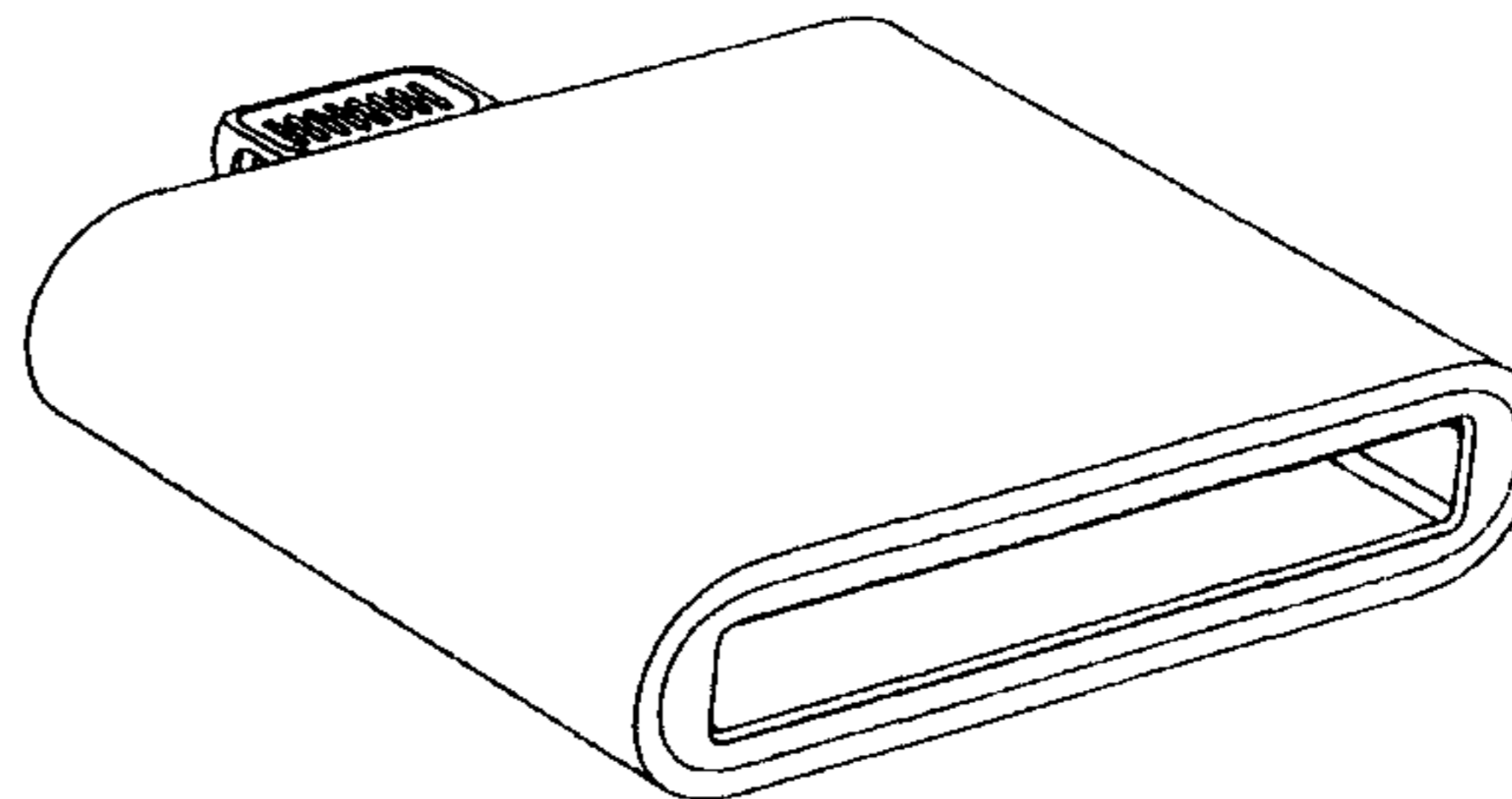
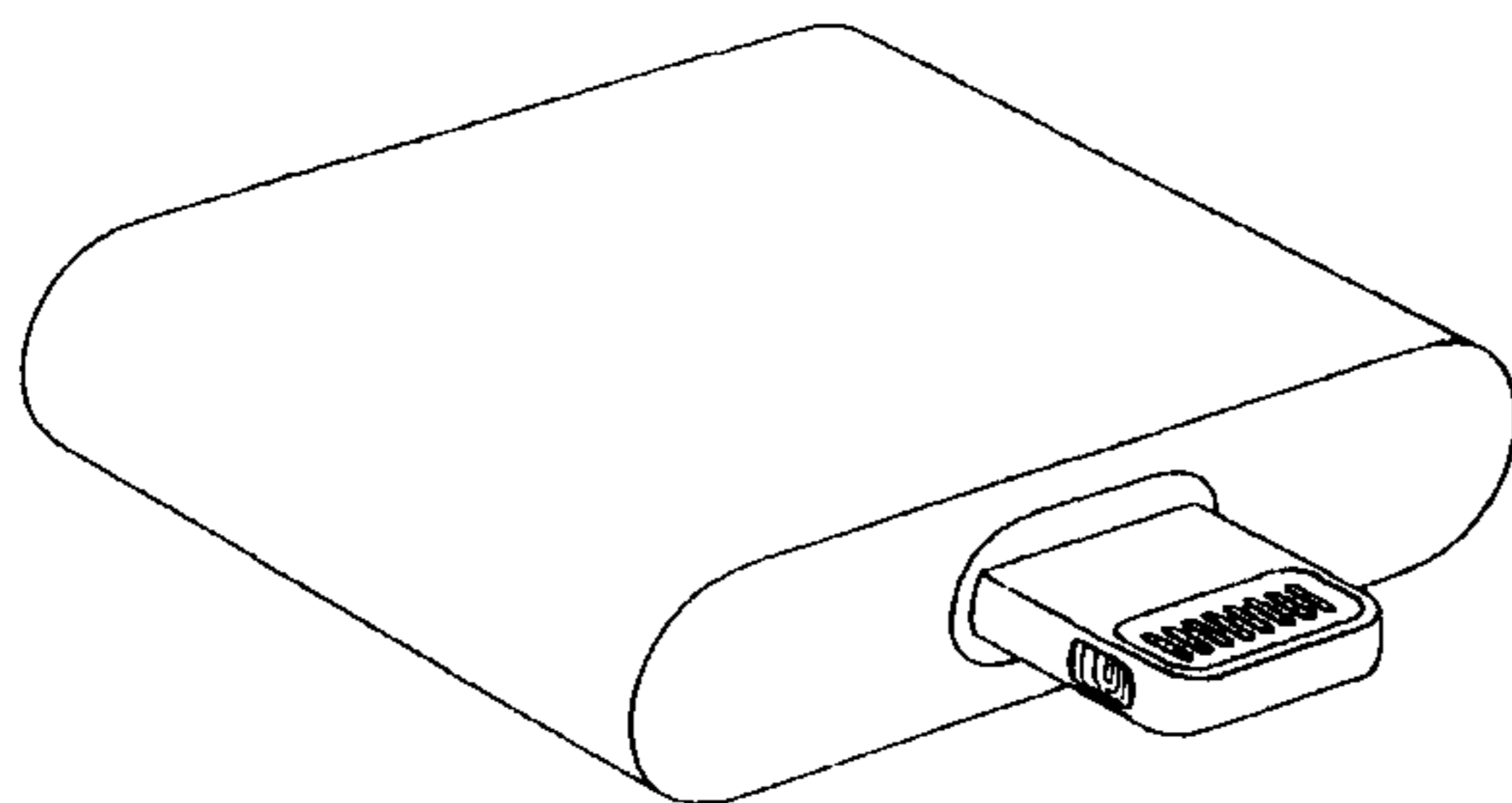
(57) **CLAIM**

The ornamental design for an adapter, as shown and described.

DESCRIPTION

FIG. 1 is a top front perspective view of an adapter showing our new design;
 FIG. 2 is a bottom rear perspective view thereof;
 FIG. 3 is a front view thereof, the rear view being a mirror image thereof;
 FIG. 4 is a side view thereof, the other side view being a mirror image thereof;
 FIG. 5 is a bottom view thereof; and,
 FIG. 6 is a top view thereof.
 The shadelines in the Figures show contour and not surface ornamentation.

1 Claim, 4 Drawing Sheets



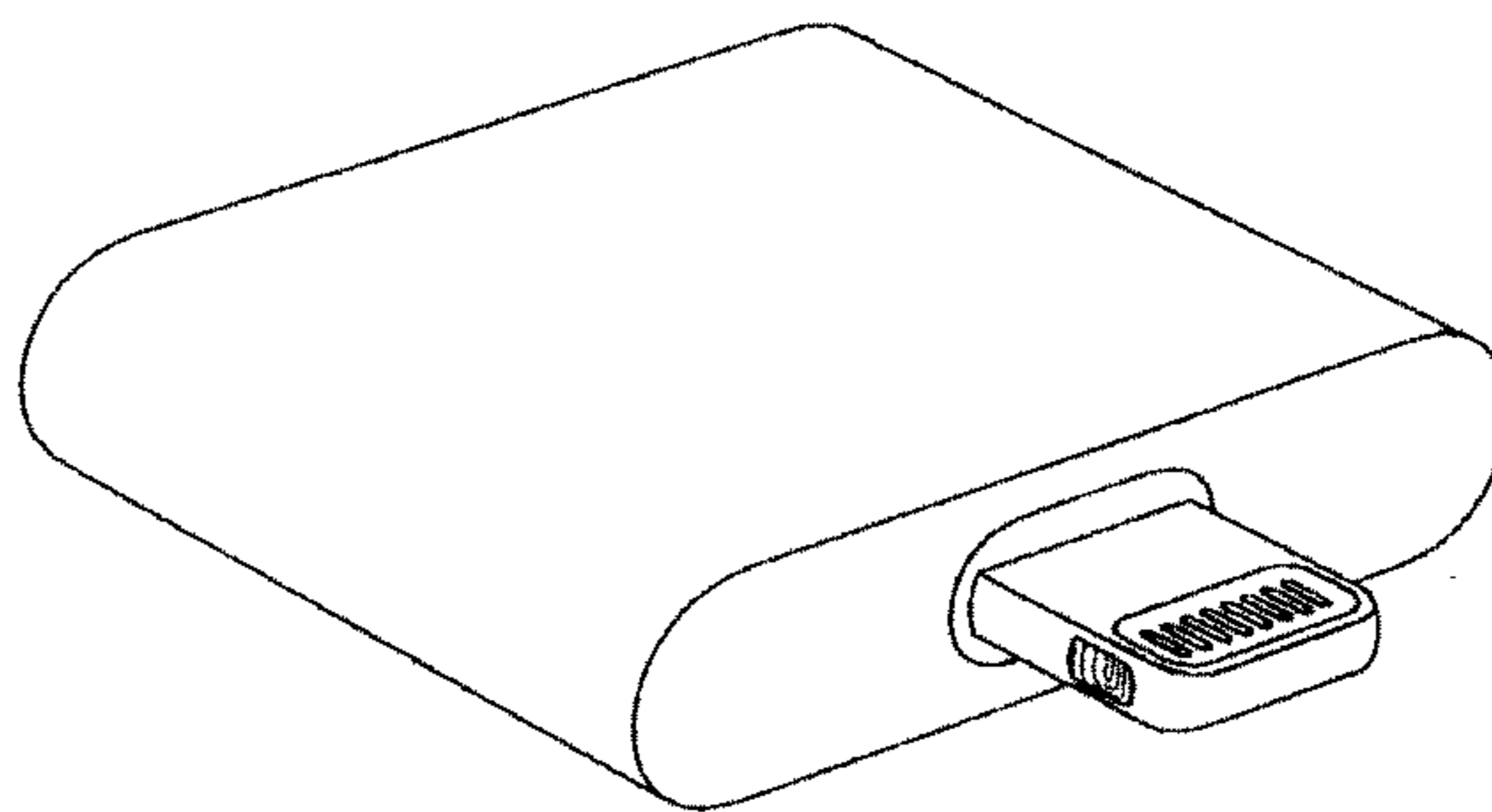


FIG. 1

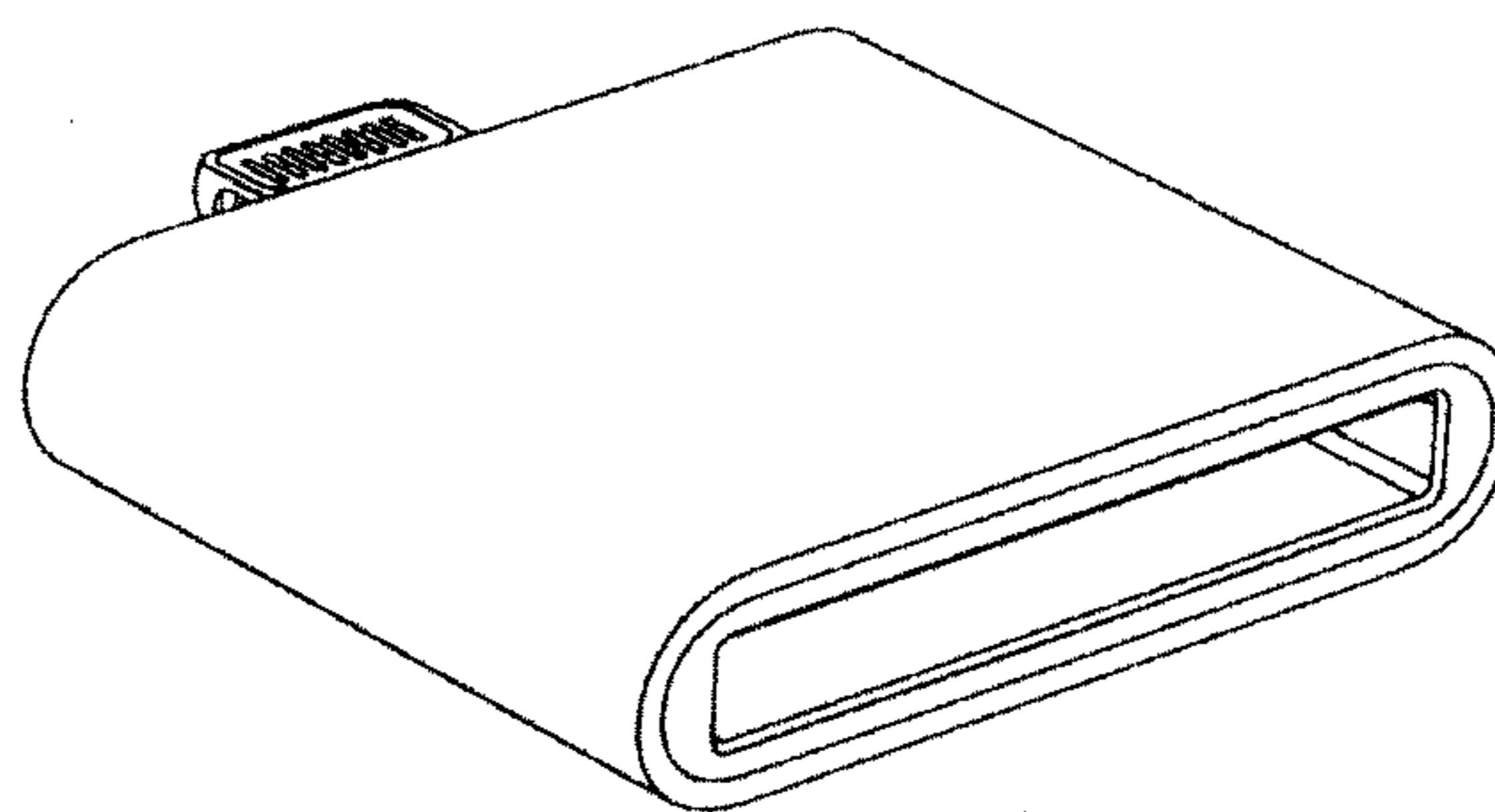


FIG. 2

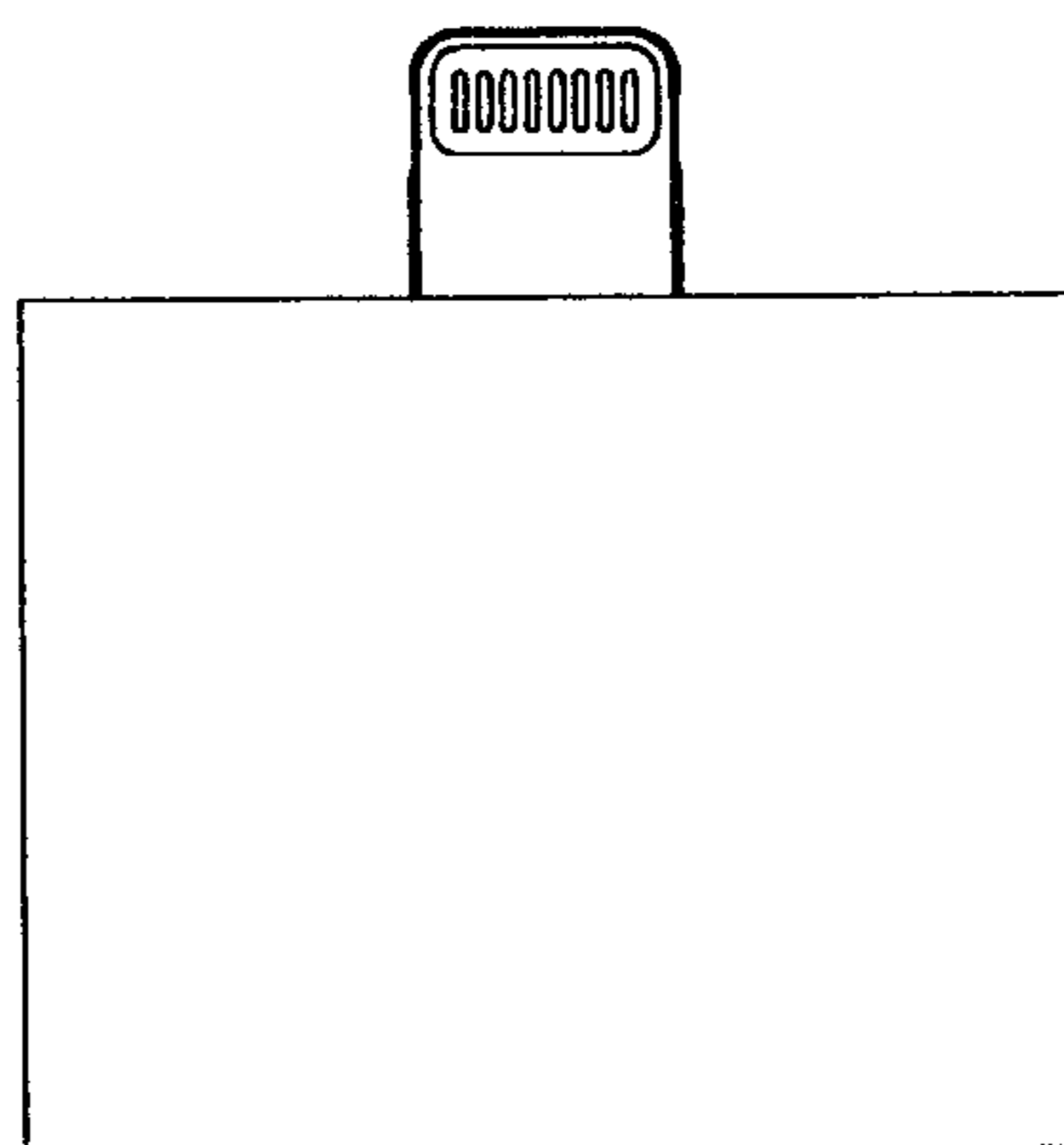


FIG. 3



FIG. 4

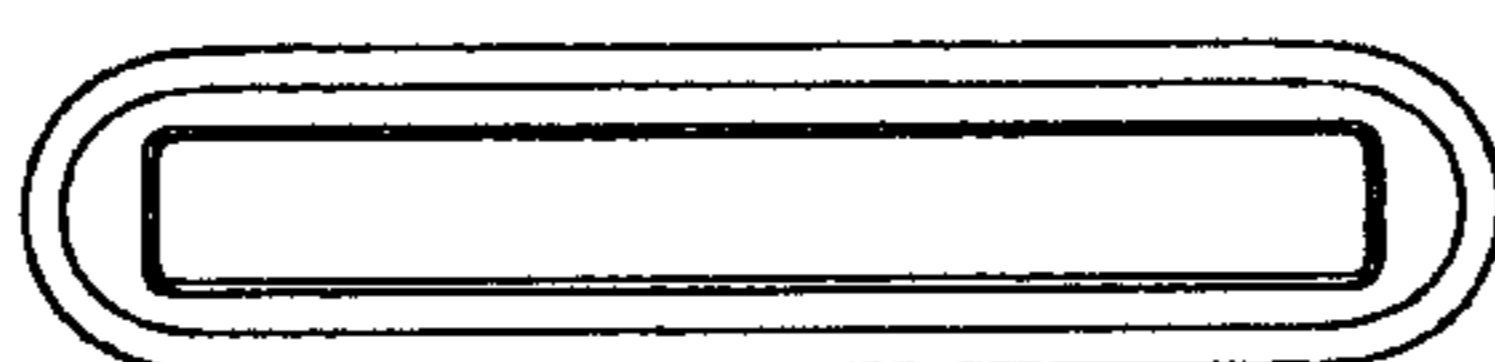


FIG. 5

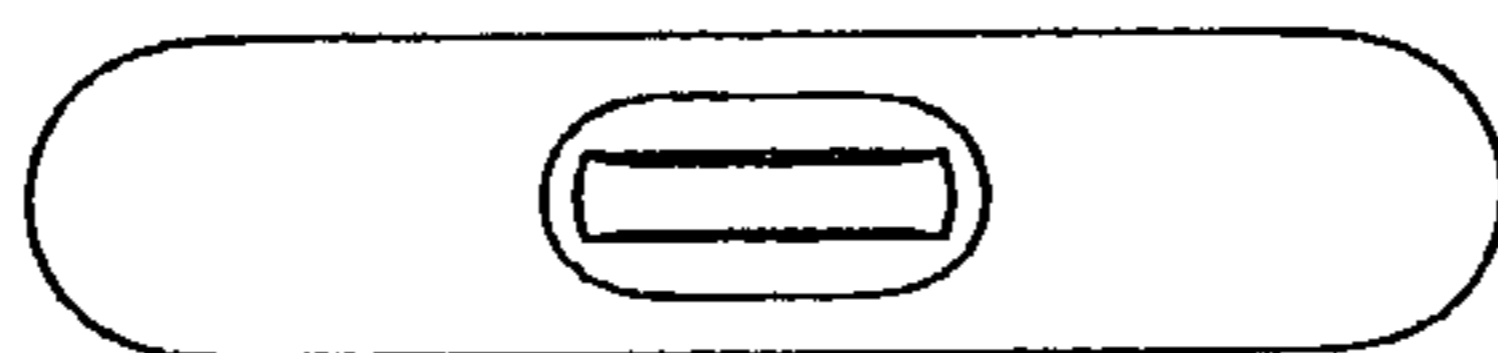


FIG. 6

UNITED STATES PATENT AND TRADEMARK OFFICE
CERTIFICATE OF CORRECTION

PATENT NO. : D684,976 S
APPLICATION NO. : 29/431556
DATED : June 25, 2013
INVENTOR(S) : Akana et al.

Page 1 of 1

It is certified that error appears in the above-identified patent and that said Letters Patent is hereby corrected as shown below:

On the title page, for item (74), please add “Attorney, Agent, or Firm- Sterne, Kessler, Goldstein & Fox PLLC”

Signed and Sealed this
Twelfth Day of November, 2013



Teresa Stanek Rea
Deputy Director of the United States Patent and Trademark Office