



US00D684975S

(12) **United States Design Patent**
Hoskinson et al.

(10) **Patent No.:** **US D684,975 S**
(45) **Date of Patent:** **** Jun. 25, 2013**

(54) **TUNNEL SCANNER**

(75) Inventors: **Jeffrey J. Hoskinson**, Eugene, OR (US);
Paul R. Huss, Eugene, OR (US); **Stepan Ryabinin**, Portland, OR (US); **Michael P. Svetal**, Eugen, OR (US); **Christopher N. Lenart**, San Francisco, CA (US);
Marco A. Torres, II, Hercules, CA (US)

(73) Assignee: **Datalogic ADC, Inc.**, Eugene, OR (US)

(**) Term: **14 Years**

(21) Appl. No.: **29/431,294**

(22) Filed: **Sep. 5, 2012**

Related U.S. Application Data

(62) Division of application No. 29/383,887, filed on Jan. 24, 2011, now Pat. No. Des. 668,656.

(51) **LOC (9) Cl.** **14-02**

(52) **U.S. Cl.**
USPC **D14/420**; D14/421

(58) **Field of Classification Search**
USPC D14/420-424; 235/462.39, 462.14, 235/462.01, 462.15, 462.17, 454, 462.4-462.49, 235/379, 383, 385, 375, 378, 472.02; 358/474, 358/509, 505, 506, 473; 382/312-315, 321, 382/318, 319; 356/622, 152.3; 359/216-221, 359/516, 517; 250/203.1, 216, 566; 705/16, 705/20-21, 1-3, 7, 27; D99/28, 35, 36, 40, D99/43; 186/61, 36, 37, 59, 60, 67; 198/368; 340/572.1, 10.1, 10.5; 156/64; 209/559, 583; 700/215, 225, 226, 227

See application file for complete search history.

(56) **References Cited**

U.S. PATENT DOCUMENTS

| | | |
|-------------|---------|-----------------|
| 3,588,480 A | 6/1971 | Unger et al. |
| 4,369,361 A | 1/1983 | Swartz et al. |
| 4,618,032 A | 10/1986 | Wolf |
| 4,676,343 A | 6/1987 | Humble et al. |
| 4,773,029 A | 9/1988 | Claesson et al. |
| D299,939 S | 2/1989 | Sandoval |
| 4,838,383 A | 6/1989 | Saito et al. |
| 4,939,355 A | 7/1990 | Rando et al. |
| 4,988,851 A | 1/1991 | Kohno et al. |

(Continued)

OTHER PUBLICATIONS

U.S. Appl. No. 13/107,824, filed May 13, 2011 for Tunnel Scanner for Automated Checkout System of Bryan L. Olmstead et al., and U.S. Appl. No. 61/435,777, filed Jan. 24, 2011 for Tunnel Scanner for Automated Checkout System of Bryan L. Olmstead et al., which correspond to US 2013/0020392.

Primary Examiner — Susan Moon Lee

(74) *Attorney, Agent, or Firm* — Stoel Rives LLP

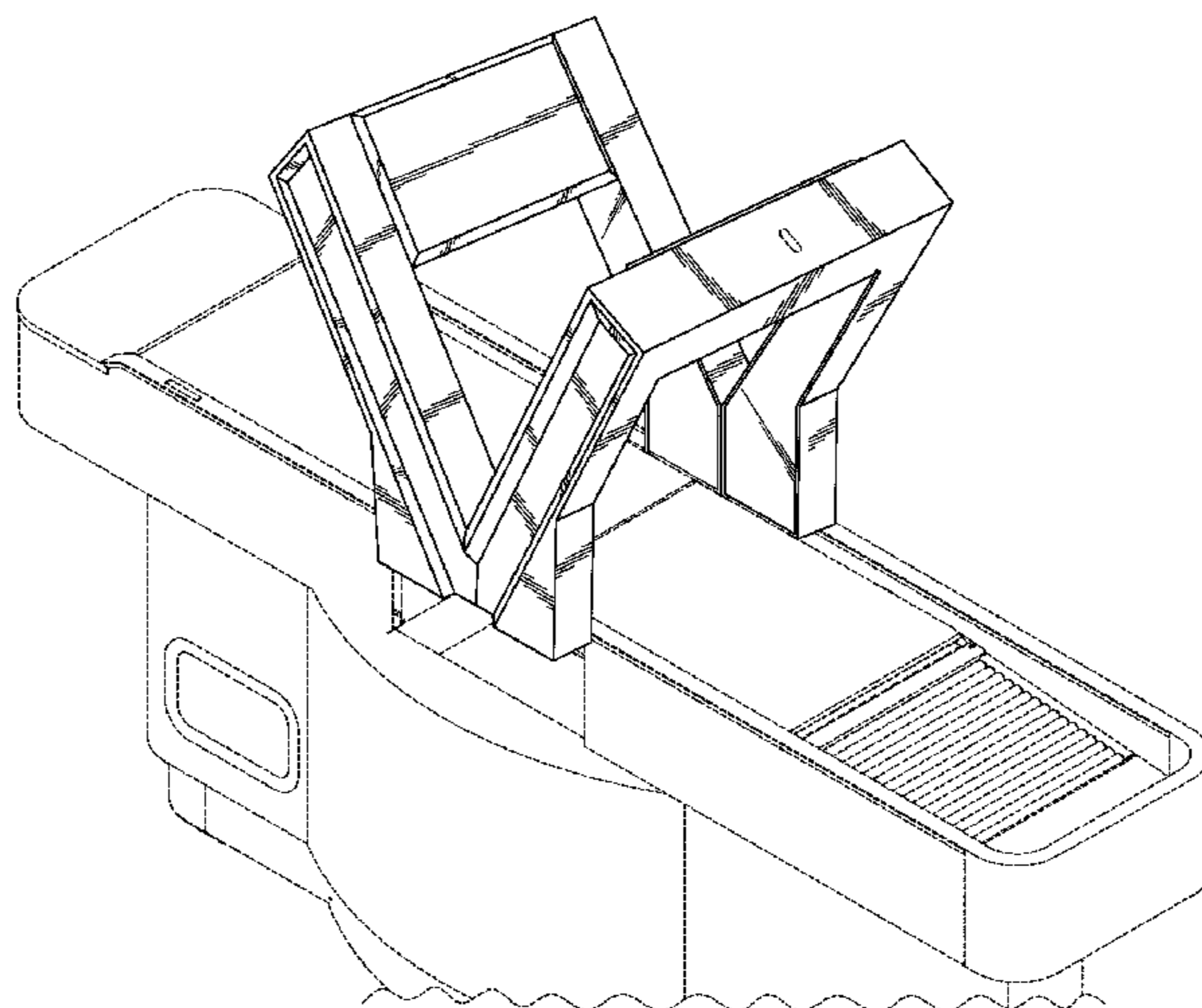
(57) **CLAIM**

We claim an ornamental design for a tunnel scanner, as shown and described.

DESCRIPTION

FIG. 1 is a front, top, left isometric view of a tunnel scanner showing the new design, shown, illustratively with a check-stand;
FIG. 2 is a front, top, left isometric view of the tunnel scanner;
FIG. 3 is a front side elevation view thereof, the rear side elevation view being a duplicate;
FIG. 4 is a cross-sectional view of FIG. 3 taken along line 4-4;
FIG. 5 is a left side elevation view thereof, the right side elevation view being a duplicate; and,
FIG. 6 is a top plan view thereof.
The broken line showing of a conveyor in FIG. 1 is to depict environmental context only and is not claimed. The bottom view is not claimed, and is therefore omitted.

1 Claim, 4 Drawing Sheets



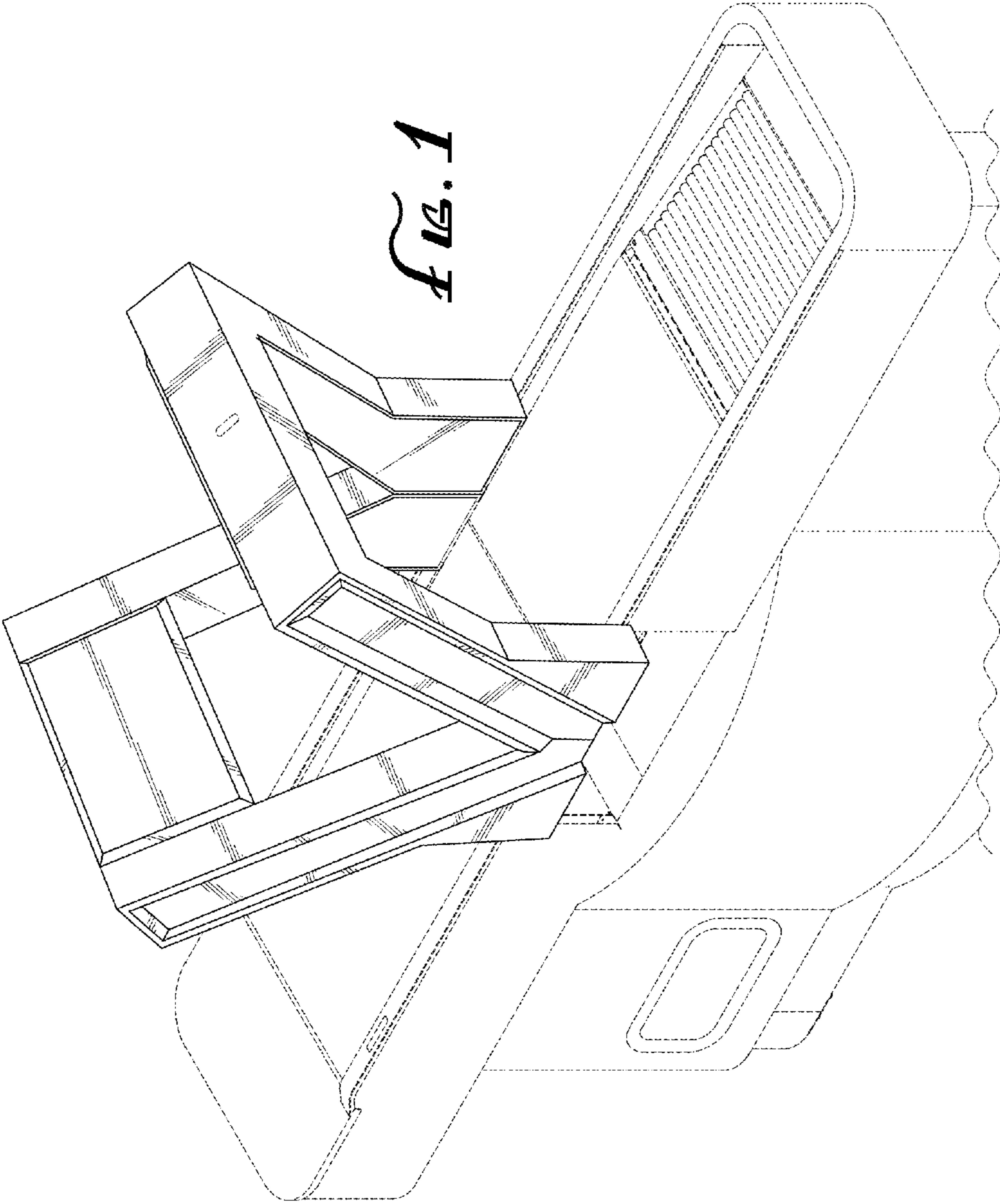
US D684,975 S

Page 2

U.S. PATENT DOCUMENTS

| | | | | | | | | |
|-----------|------|---------|-----------------------|--------------|------|---------|-----------------------|------------|
| 5,019,694 | A | 5/1991 | Collins, Jr. | 6,991,169 | B2 * | 1/2006 | Bobba et al. | 235/462.39 |
| 5,042,619 | A | 8/1991 | Kohno | 7,000,839 | B2 | 2/2006 | Good et al. | |
| D325,729 | S | 4/1992 | Forsythe et al. | 7,044,370 | B2 | 5/2006 | Bellis, Jr. et al. | |
| 5,207,294 | A | 5/1993 | Kurimoto et al. | 7,196,828 | B2 * | 3/2007 | Rubner et al. | 358/497 |
| 5,252,814 | A | 10/1993 | Tooley | 7,198,195 | B2 * | 4/2007 | Bobba et al. | 235/462.38 |
| 5,426,282 | A * | 6/1995 | Humble | 7,325,729 | B2 | 2/2008 | Crockett et al. | |
| 5,495,097 | A | 2/1996 | Katz et al. | 7,375,294 | B2 * | 5/2008 | Kraft | 177/25.15 |
| 5,609,223 | A * | 3/1997 | Iizaka et al. | 7,466,462 | B2 * | 12/2008 | Chen | 358/497 |
| 5,665,955 | A * | 9/1997 | Collins et al. | 7,527,205 | B2 | 5/2009 | Zhu et al. | |
| D387,337 | S * | 12/1997 | Sween et al. | D595,720 | S * | 7/2009 | Warth | D14/420 |
| 5,699,161 | A * | 12/1997 | Woodworth | 7,632,367 | B2 * | 12/2009 | Smith | 156/64 |
| 5,777,321 | A * | 7/1998 | Kerschner et al. | 7,677,451 | B2 * | 3/2010 | Dickover et al. | 235/383 |
| D409,168 | S * | 5/1999 | Myers et al. | 7,720,194 | B2 | 5/2010 | Connelly et al. | |
| 5,981,943 | A * | 11/1999 | Berg et al. | 7,778,443 | B2 * | 8/2010 | Watanabe et al. | 382/101 |
| 6,064,629 | A * | 5/2000 | Stringer et al. | 7,841,524 | B2 * | 11/2010 | Schmidt et al. | 235/383 |
| 6,065,728 | A * | 5/2000 | Spradlin | 7,967,112 | B2 * | 6/2011 | Kaplan et al. | 186/59 |
| 6,098,885 | A * | 8/2000 | Knowles et al. | 8,066,189 | B2 * | 11/2011 | Yamada et al. | 235/462.35 |
| 6,137,577 | A * | 10/2000 | Woodworth | D668,656 | S * | 10/2012 | Hoskinson et al. | D14/420 |
| 6,166,811 | A * | 12/2000 | Long et al. | 2002/0014533 | A1 * | 2/2002 | Zhu et al. | 235/472.01 |
| 6,189,784 | B1 | 2/2001 | Williams et al. | 2003/0001007 | A1 * | 1/2003 | Lee et al. | 235/383 |
| 6,246,052 | B1 * | 6/2001 | Cleveland et al. | 2003/0085281 | A1 * | 5/2003 | Knowles et al. | 235/454 |
| 6,330,973 | B1 | 12/2001 | Bridgelall et al. | 2006/0169781 | A1 * | 8/2006 | Khovaylo | 235/462.43 |
| 6,446,870 | B1 | 9/2002 | Rando | 2007/0257110 | A1 * | 11/2007 | Schmidt et al. | 235/383 |
| 6,484,066 | B1 | 11/2002 | Riess et al. | 2009/0001166 | A1 * | 1/2009 | Barkan et al. | 235/462.14 |
| 6,497,362 | B2 * | 12/2002 | Persky et al. | 2009/0134221 | A1 * | 5/2009 | Zhu et al. | 235/383 |
| 6,554,189 | B1 * | 4/2003 | Good et al. | 2010/0163628 | A1 * | 7/2010 | Olmstead | 235/470 |
| 6,681,993 | B1 * | 1/2004 | Nunnink et al. | 2010/0217678 | A1 * | 8/2010 | Goncalves | 705/22 |
| 6,783,068 | B2 * | 8/2004 | Hecht | 2011/0011932 | A1 * | 1/2011 | Tsuyuki et al. | 235/383 |
| 6,837,428 | B2 | 1/2005 | Lee et al. | 2012/0205448 | A1 * | 8/2012 | Hoskinson et al. | 235/440 |
| 6,974,084 | B2 * | 12/2005 | Bobba et al. | 2013/0020392 | A1 | 1/2013 | Olmstead et al. | |

* cited by examiner



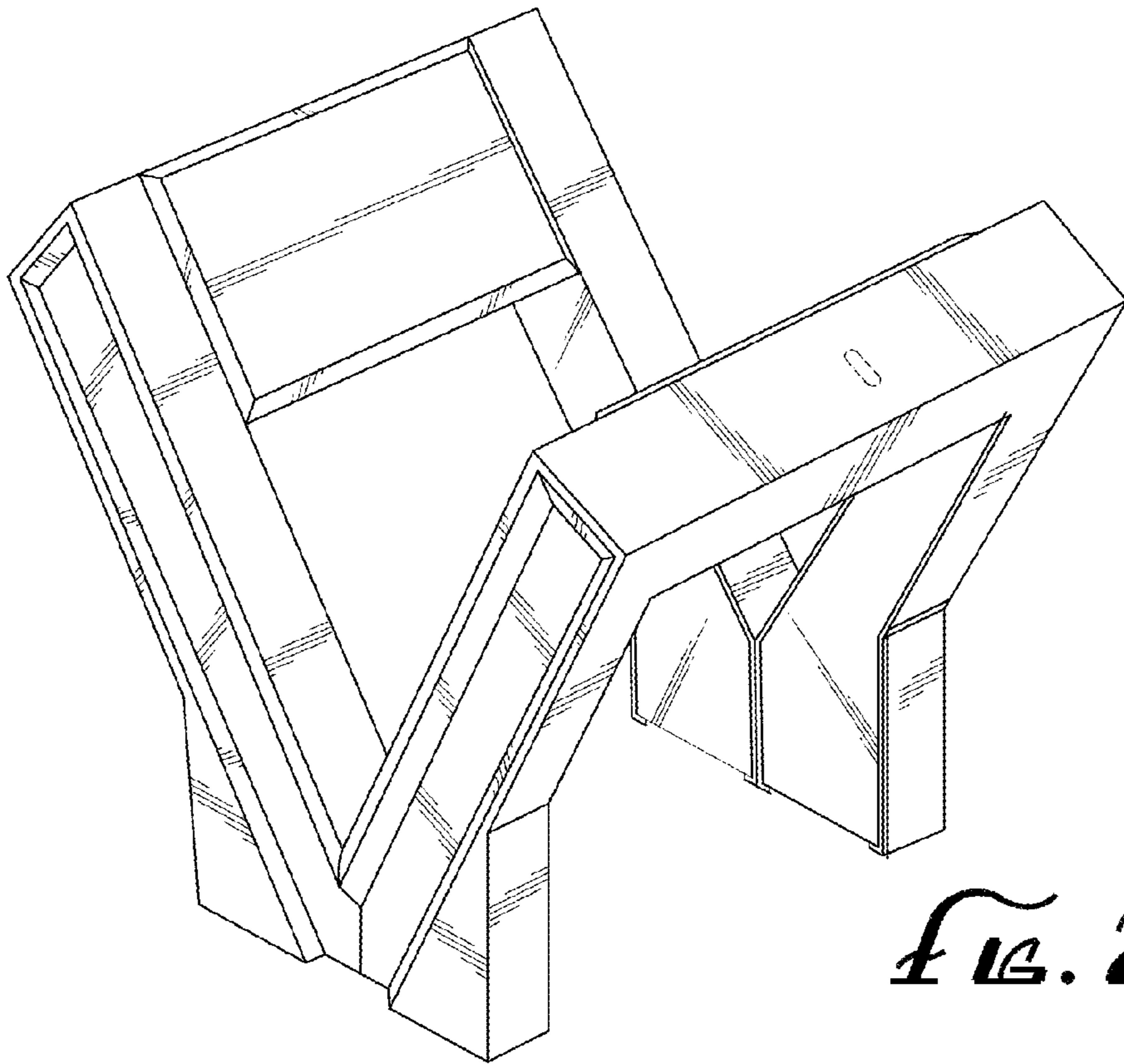


FIG. 2

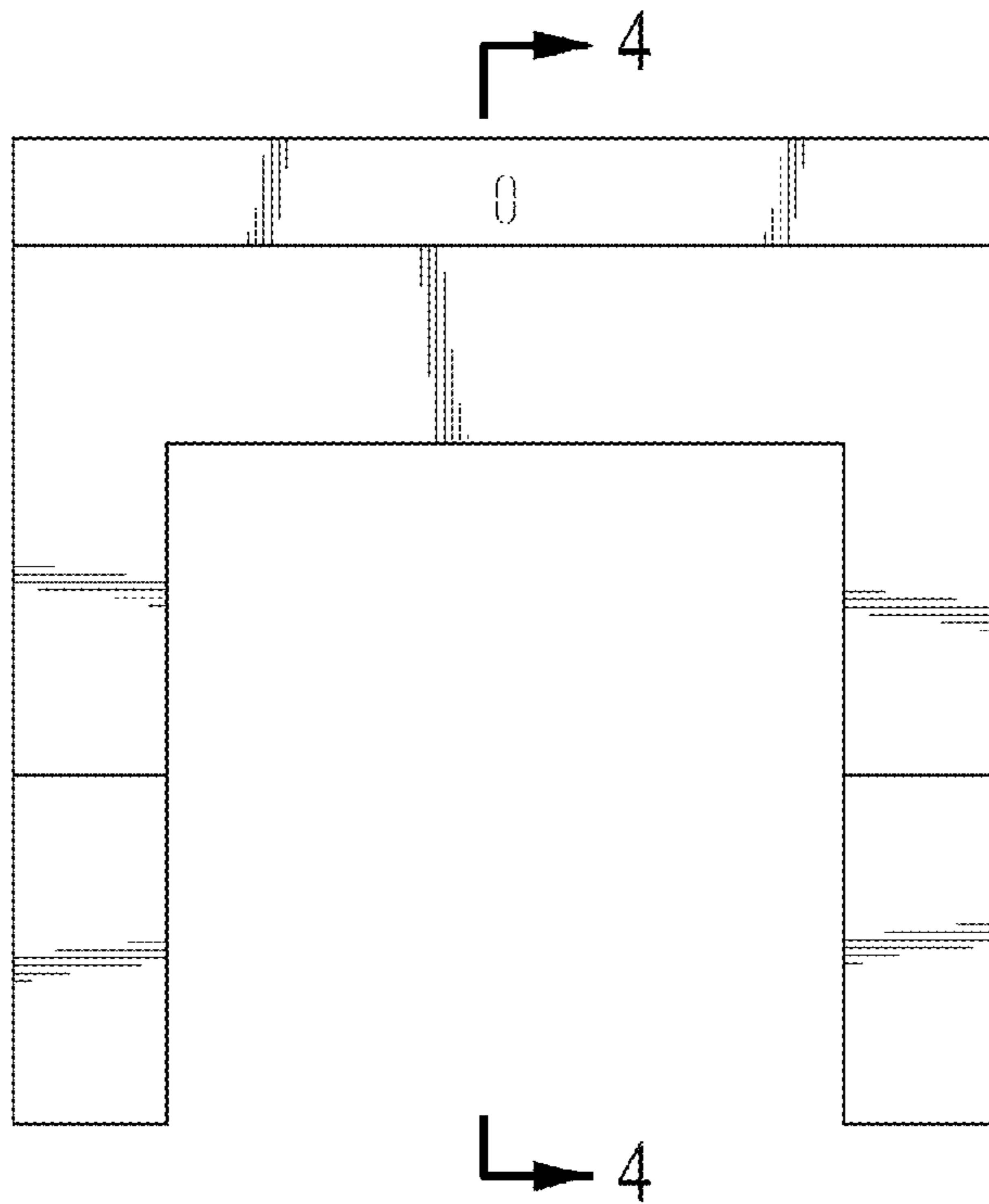


FIG. 3

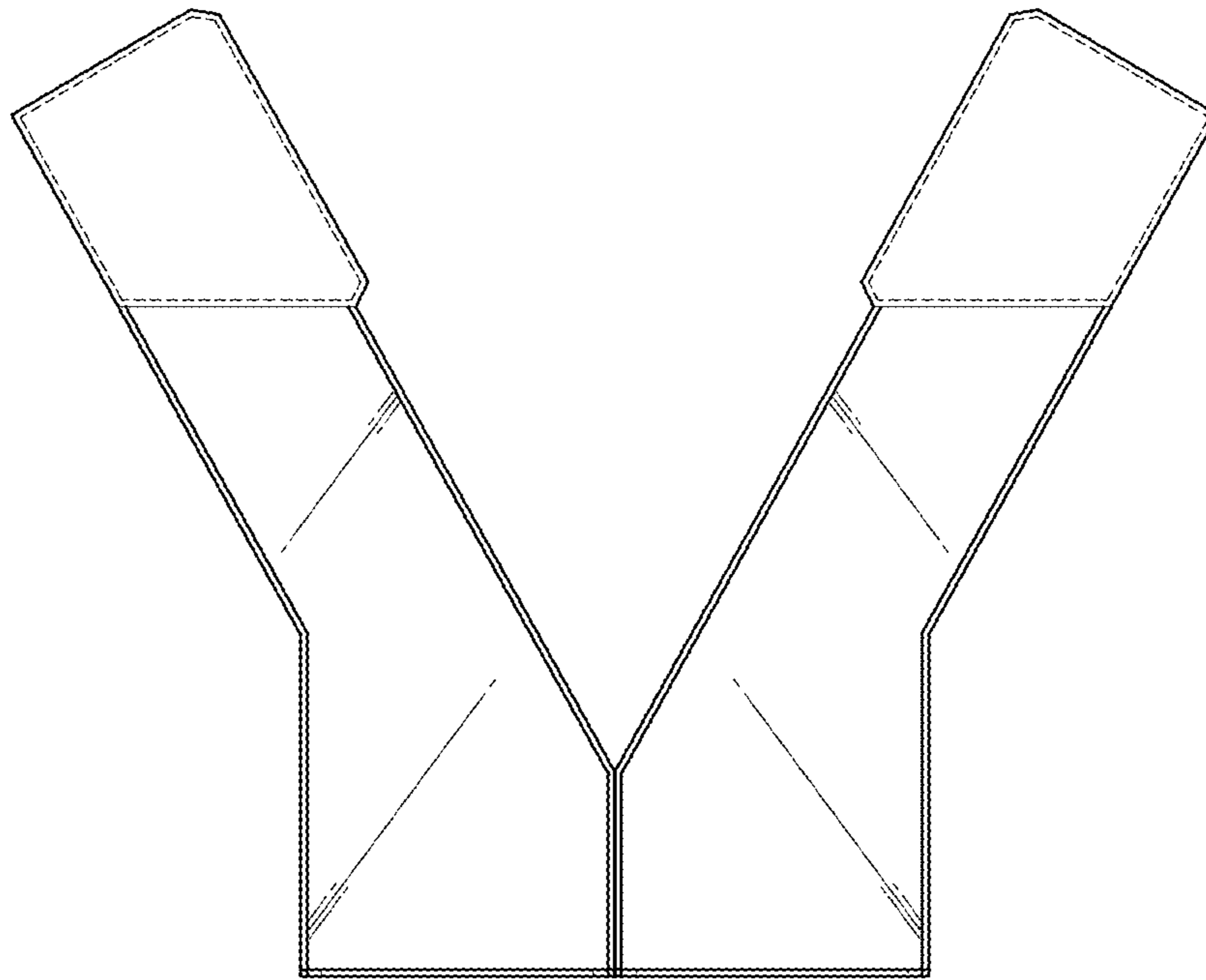


FIG. 4

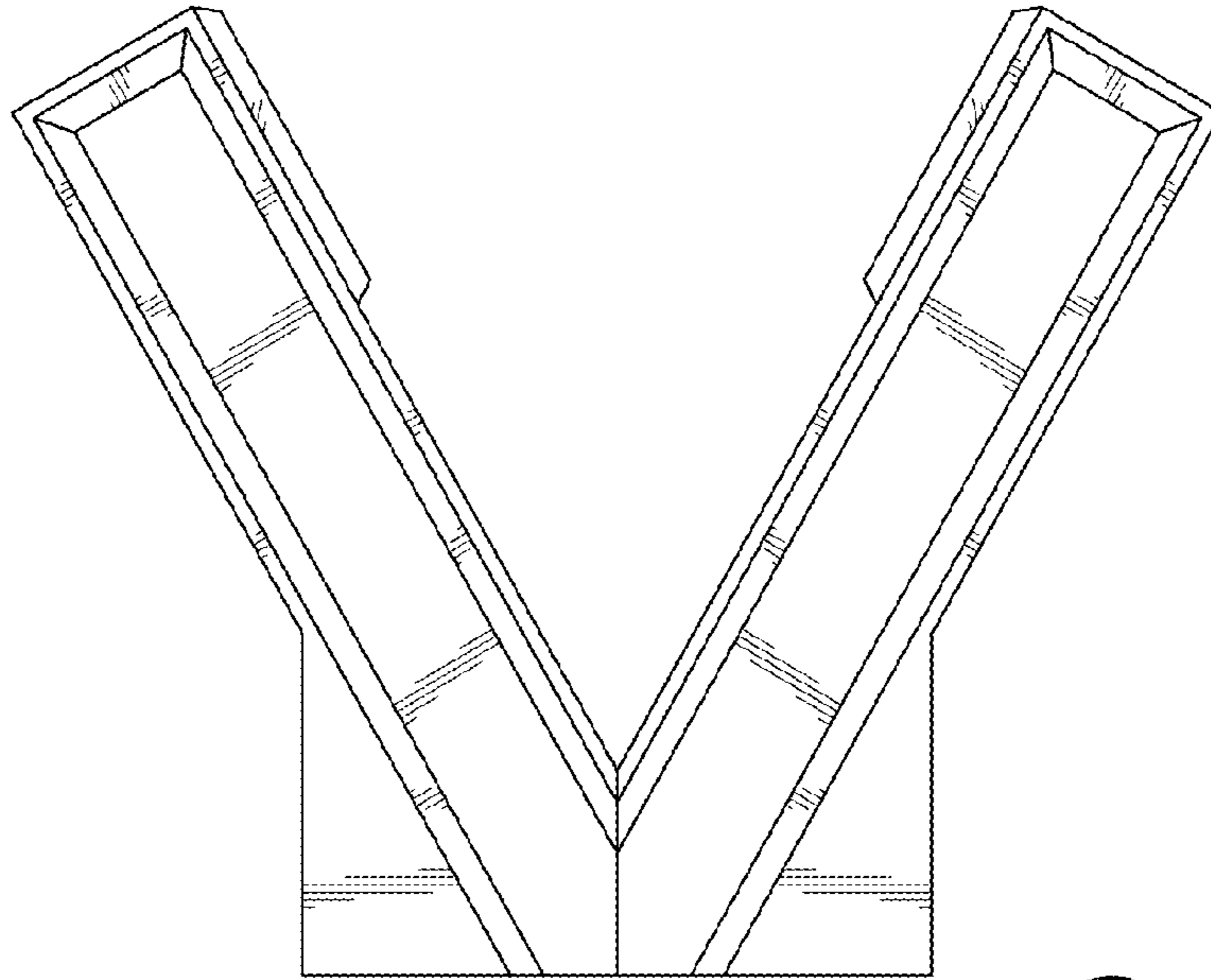


FIG. 5

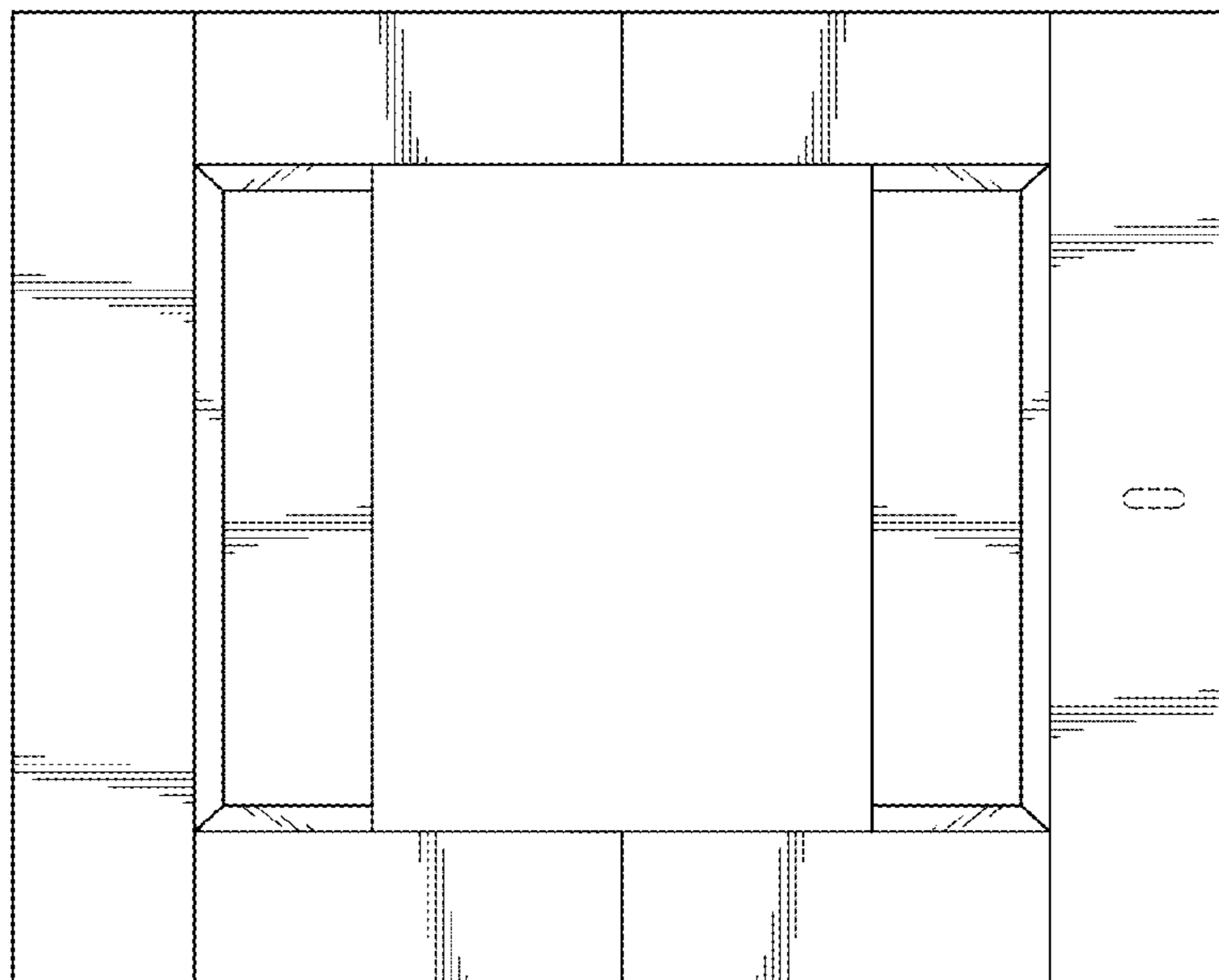


FIG. 6

UNITED STATES PATENT AND TRADEMARK OFFICE
CERTIFICATE OF CORRECTION

PATENT NO. : D684,975 S
APPLICATION NO. : 29/431294
DATED : June 25, 2013
INVENTOR(S) : Jeffrey J. Hoskinson et al.

Page 1 of 1

It is certified that error appears in the above-identified patent and that said Letters Patent is hereby corrected as shown below:

Title page.

DESCRIPTION,

Line 4, replace "tummel" with --tunnel--.

Signed and Sealed this
First Day of April, 2014



Michelle K. Lee

Deputy Director of the United States Patent and Trademark Office