



US00D684973S

(12) **United States Design Patent**
Myung et al.

(10) **Patent No.:** **US D684,973 S**
(45) **Date of Patent:** **** Jun. 25, 2013**

(54) **MOUSE**

(75) Inventors: **Ji-Eun Myung**, Seoul (KR);
Jung-Hwan Hong, Seoul (KR)

(73) Assignee: **Samsung Electronics Co., Ltd.**,
Suwon-si (KR)

(**) Term: **14 Years**

(21) Appl. No.: **29/427,738**

(22) Filed: **Jul. 21, 2012**

(30) **Foreign Application Priority Data**

Jan. 25, 2012 (KR) 30-2012-0003398

(51) **LOC (9) Cl.** **14-02**

(52) **U.S. Cl.**
USPC **D14/407**

(58) **Field of Classification Search**
USPC D14/402-411, 356, 388, 389, 383-385,
D14/417, 426; 345/156-167; 463/36-38;
358/471, 473; 273/148 B
See application file for complete search history.

(56) **References Cited**

U.S. PATENT DOCUMENTS

D284,284 S *	6/1986	Manock et al.	D14/407
D304,447 S *	11/1989	Adams et al.	D14/407
D340,923 S *	11/1993	Tso	D14/407
D483,764 S *	12/2003	Masamitsu et al.	D14/407
D484,882 S *	1/2004	Wu	D14/407
D527,731 S *	9/2006	Lee	D14/402
D534,168 S *	12/2006	Wada	D14/407
D534,535 S *	1/2007	Tzeng et al.	D14/407
D545,822 S *	7/2007	Murakami	D14/407
D590,399 S *	4/2009	Chen	D14/407
D615,981 S *	5/2010	Lin	D14/407

D616,888 S *	6/2010	Chen	D14/407
D621,837 S *	8/2010	Ho	D14/407
D635,977 S *	4/2011	Ran	D14/407
D643,429 S *	8/2011	Ferwerda	D14/407
D647,093 S *	10/2011	Kim et al.	D14/407
D662,096 S *	6/2012	Yu	D14/407
D671,943 S *	12/2012	Dizac et al.	D14/407

FOREIGN PATENT DOCUMENTS

KR	3019990013503	6/1999
KR	3002791360000	6/2001
KR	3003629610000	9/2001
KR	3002887150000	12/2001
KR	3002987760000	5/2002
KR	3003029660000	7/2002
KR	3003029670000	7/2002
KR	3003501750000	4/2004
KR	3003629620000	9/2004
KR	3003757340000	3/2005
KR	3003827630000	6/2005

* cited by examiner

Primary Examiner — Austin Murphy

(74) *Attorney, Agent, or Firm* — Wood, Herron & Evans, LLP

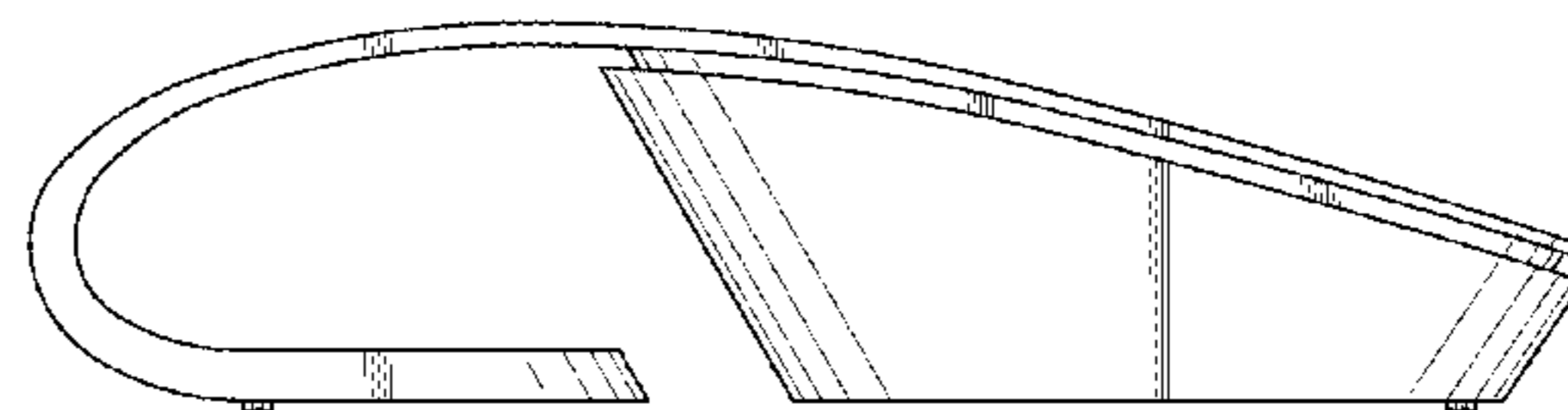
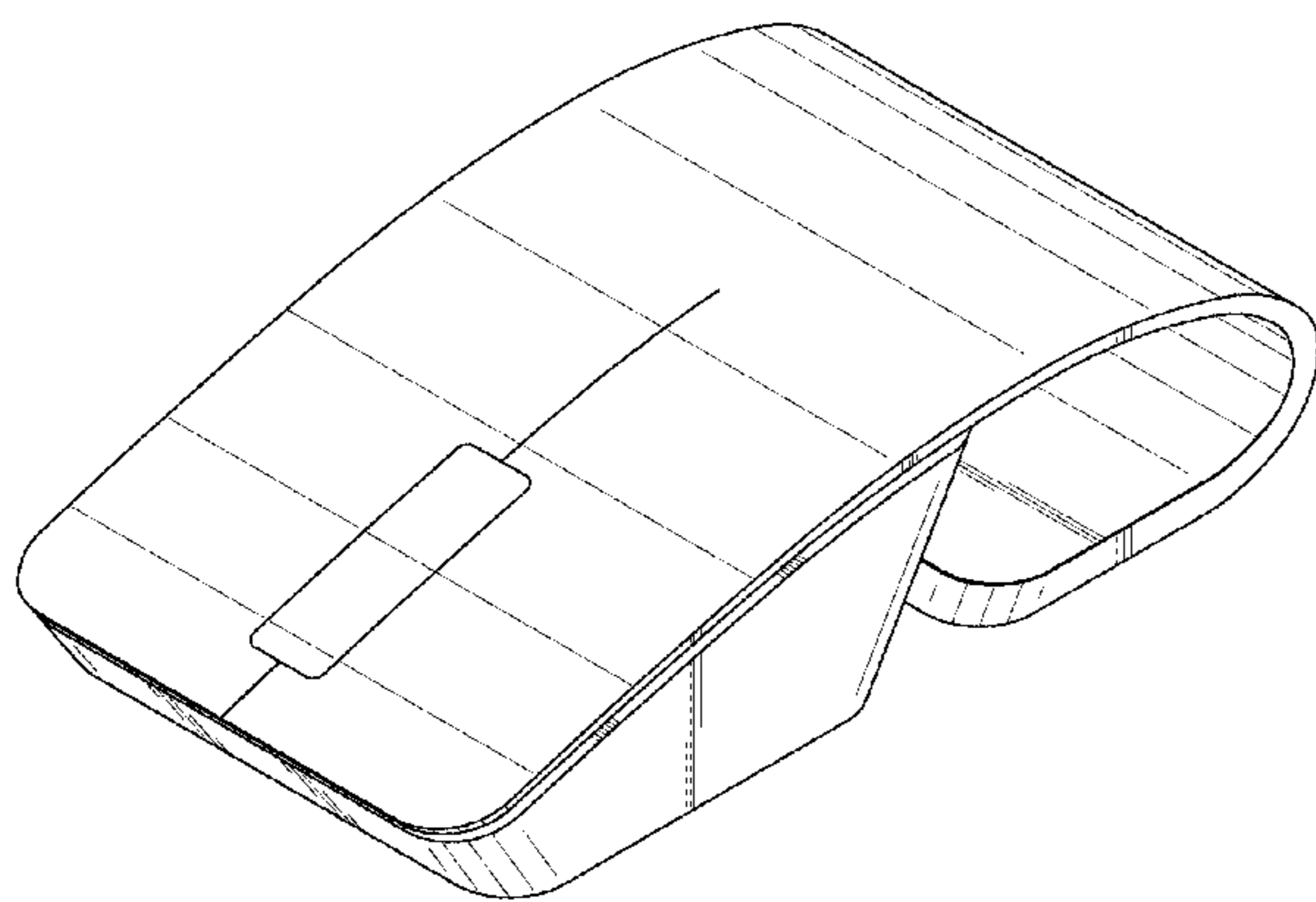
(57) **CLAIM**

The ornamental design for a mouse, as shown and described.

DESCRIPTION

FIG. 1 is a top front perspective view of a mouse showing our new design;
FIG. 2 is a front elevational view thereof;
FIG. 3 is a rear elevational view thereof;
FIG. 4 is a left side elevational view thereof;
FIG. 5 is a right side elevational view thereof;
FIG. 6 is a top plan view thereof; and,
FIG. 7 is a bottom plan view thereof.

1 Claim, 3 Drawing Sheets



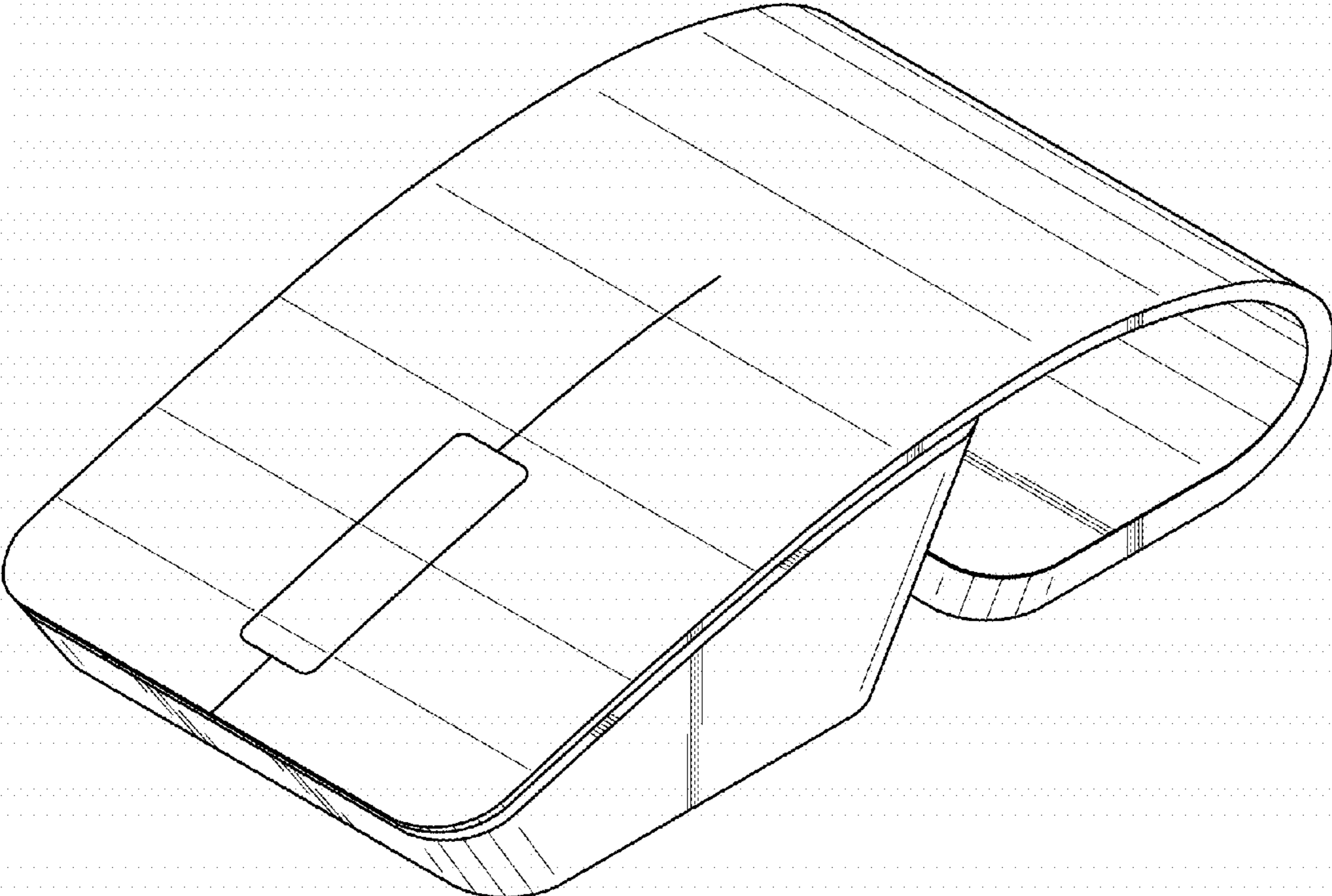


FIG.1

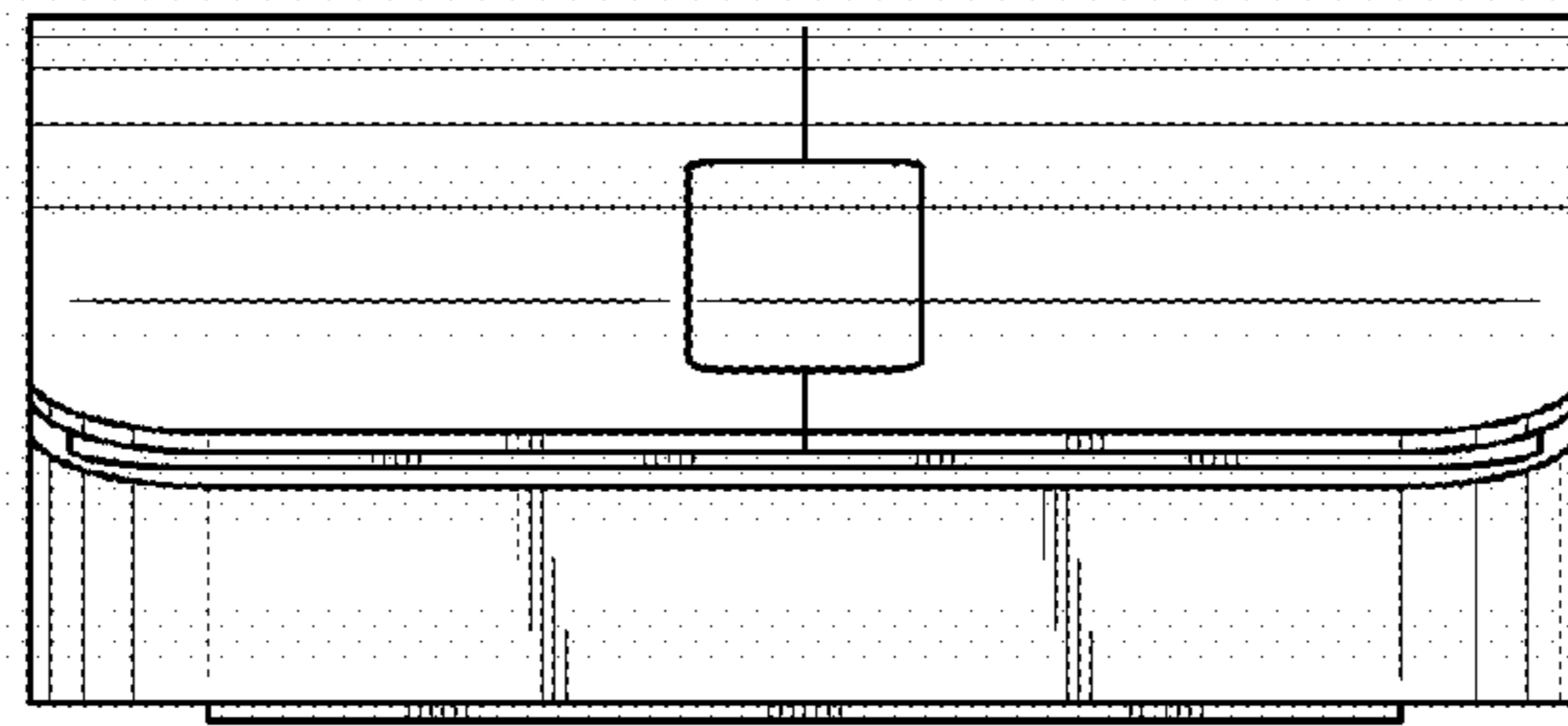


FIG. 2

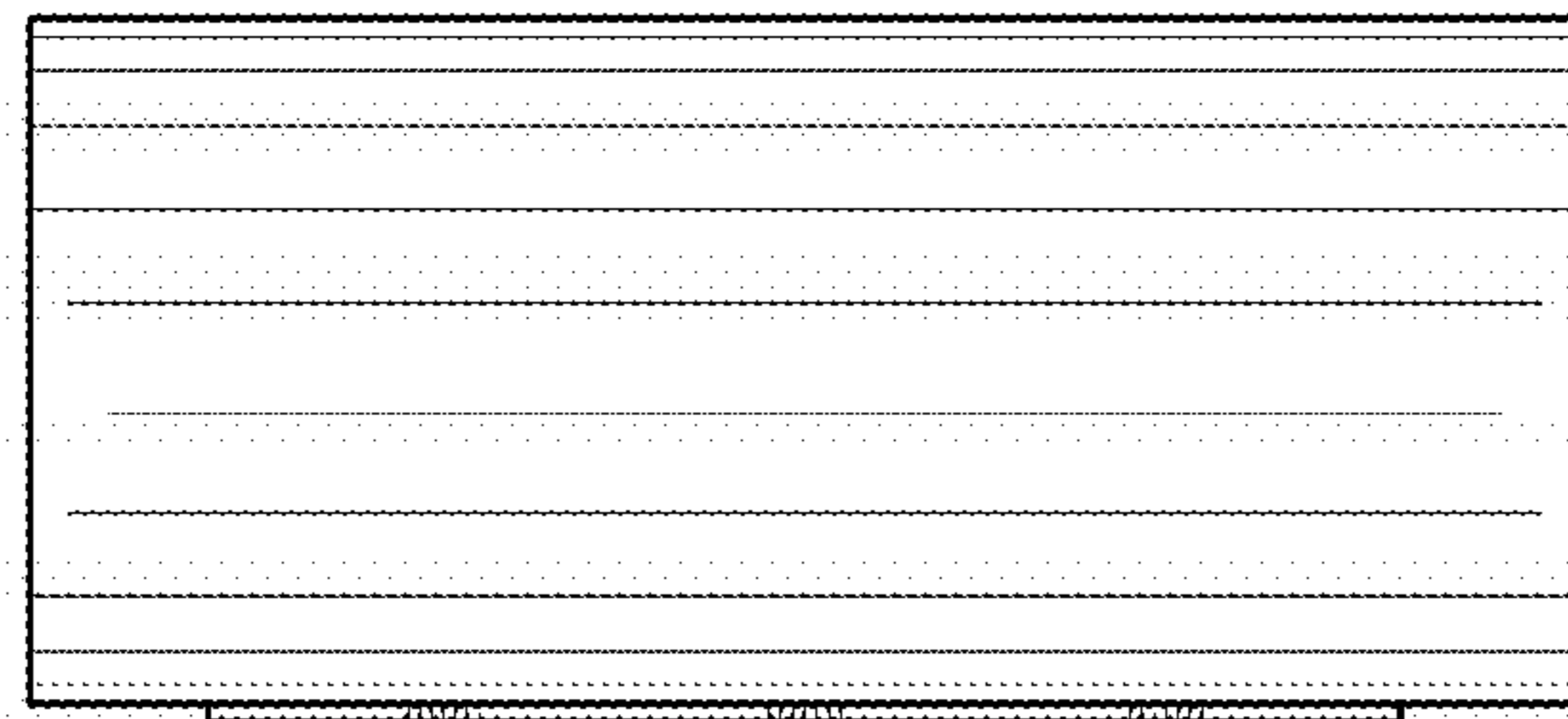


FIG. 3

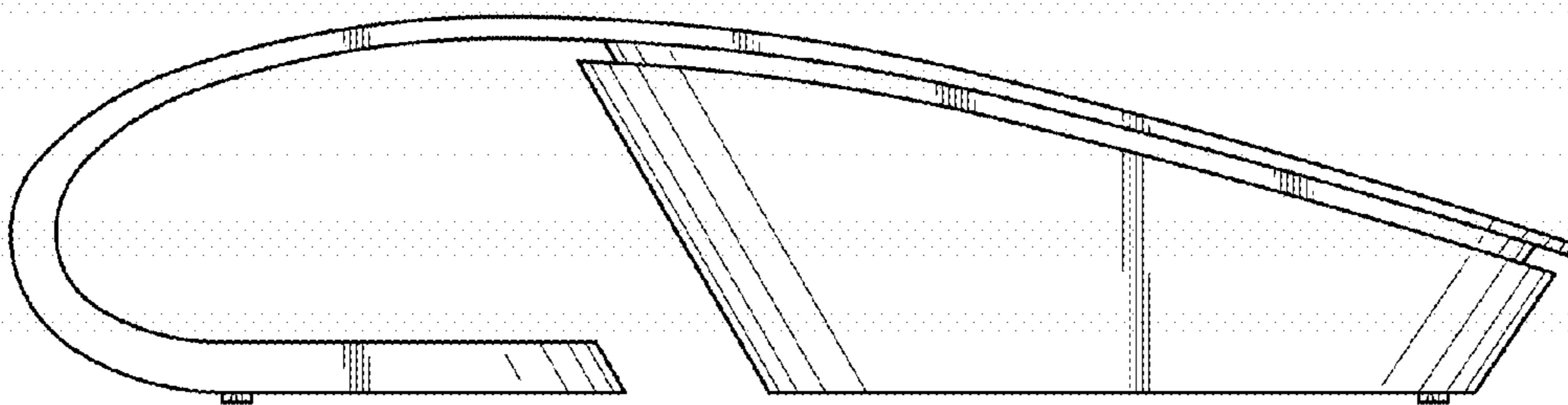


FIG. 4

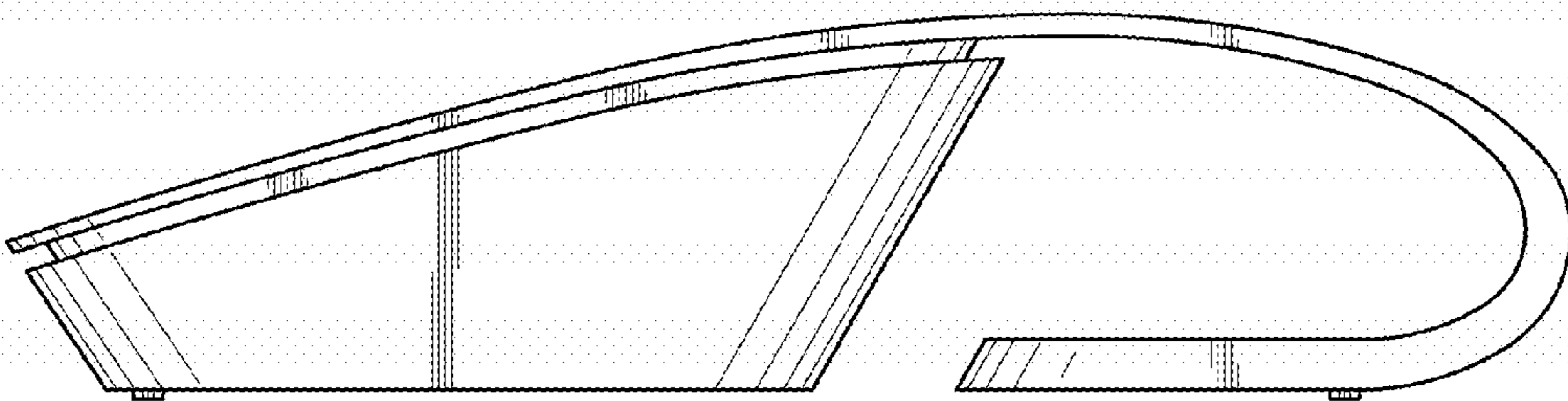


FIG. 5

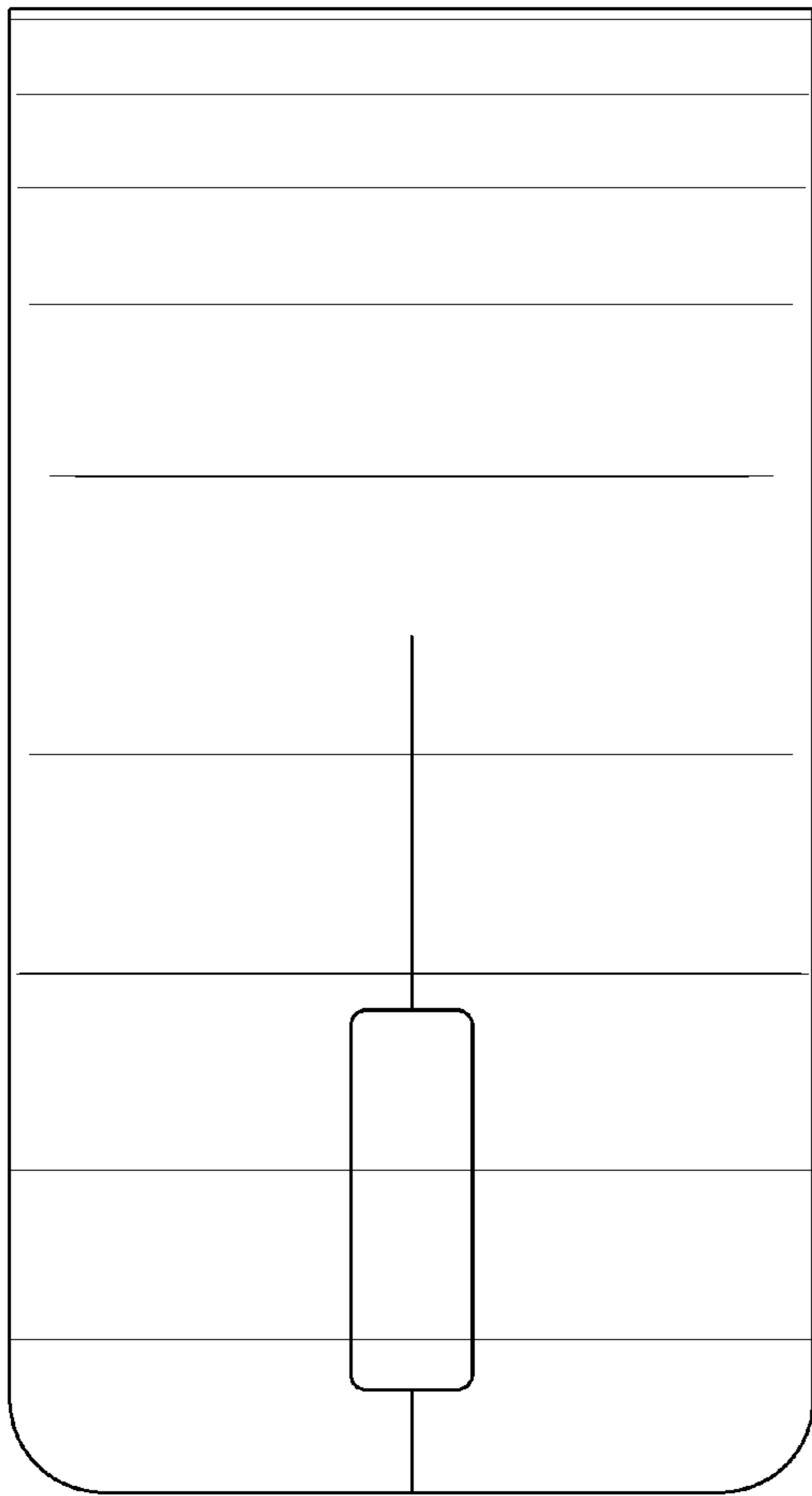


FIG. 6

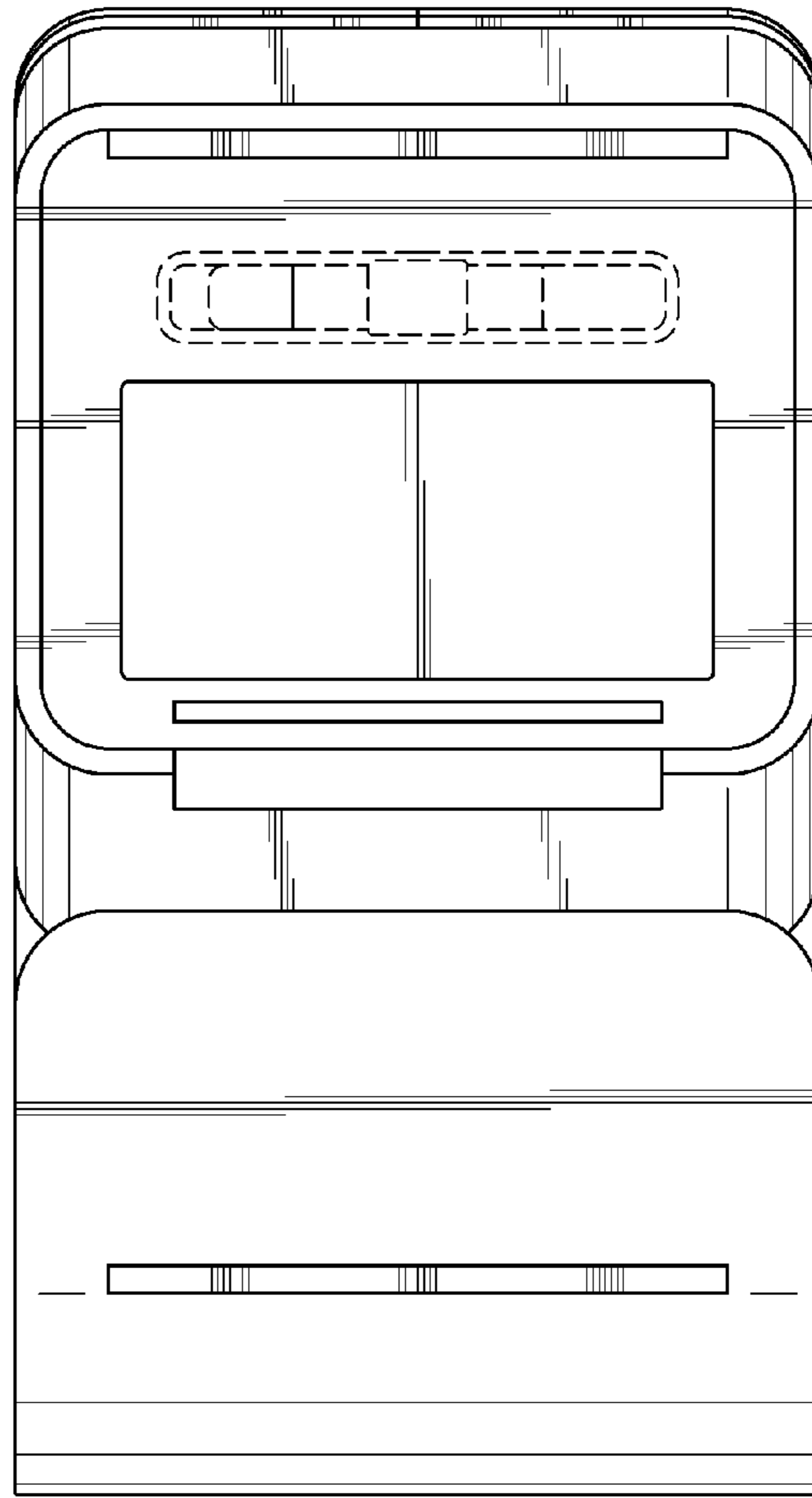


FIG. 7