



US00D684972S

(12) **United States Design Patent**
Benson et al.

(10) **Patent No.:** **US D684,972 S**
(45) **Date of Patent:** **** Jun. 25, 2013**

(54) **TOUCH TABLE**

(75) Inventors: **Phillip Benson**, Calgary (CA); **Alan Boykiw**, Calgary (CA); **Sam Saunders**, Calgary (CA); **Stuart Cannan**, Calgary (CA); **Ben Catt**, Calgary (CA); **Dris Adradi**, Calgary (CA)

(73) Assignee: **SMART Technologies ULC (CA)**

(**) Term: **14 Years**

(21) Appl. No.: **29/417,321**

(22) Filed: **Apr. 2, 2012**

(51) **LOC (9) Cl.** **14-02**

(52) **U.S. Cl.**
USPC **D14/371**

(58) **Field of Classification Search**
USPC D14/300–308, 311, 312, 463, 371,
D14/140.11; D18/36–39; D16/221; 355/18,
355/78, 82, 83, 113, 114, 68; 356/432, 445;
358/475, 487; 705/36 R; D6/422; 345/173
See application file for complete search history.

(56) **References Cited**

U.S. PATENT DOCUMENTS

D329,554 S * 9/1992 Diffrient D6/486
D353,368 S * 12/1994 Poulos D14/305
5,806,943 A * 9/1998 Dell et al. 312/223.3
D462,678 S * 9/2002 Abboud D14/304

D571,803 S * 6/2008 Morelock et al. D14/371
D654,494 S * 2/2012 Sirolich D14/305
2003/0236102 A1 * 12/2003 Kawai et al. 455/550.1

* cited by examiner

Primary Examiner — Freda S Nunn

(74) *Attorney, Agent, or Firm* — Katten Muchin Rosenman LLP

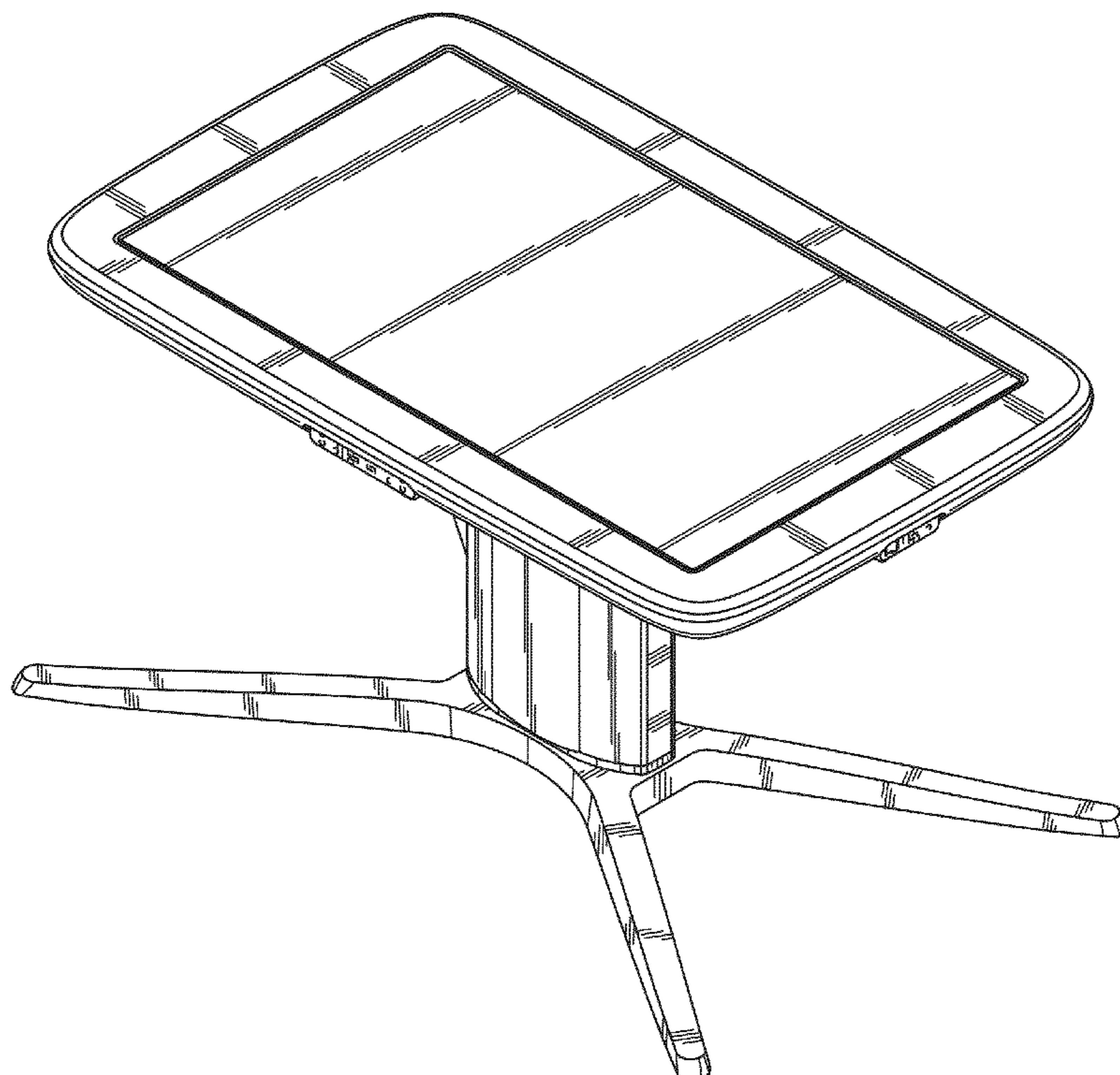
(57) **CLAIM**

The ornamental design for a touch table, as shown and described.

DESCRIPTION

FIG. 1 is a perspective view of the touch table showing our new design;
FIG. 2 is a front view of the touch table showing our new design;
FIG. 3 is a rear view of the touch table showing our new design;
FIG. 4 is a left side view of the touch table showing our new design;
FIG. 5 is a right side view of the touch table showing our new design;
FIG. 6 is a top view of the touch table showing our new design; and,
FIG. 7 is a bottom view of the touch table showing our new design.
Broken lines shown in the drawings illustrate portions of the touch table, and form no part of the claimed design.

1 Claim, 7 Drawing Sheets



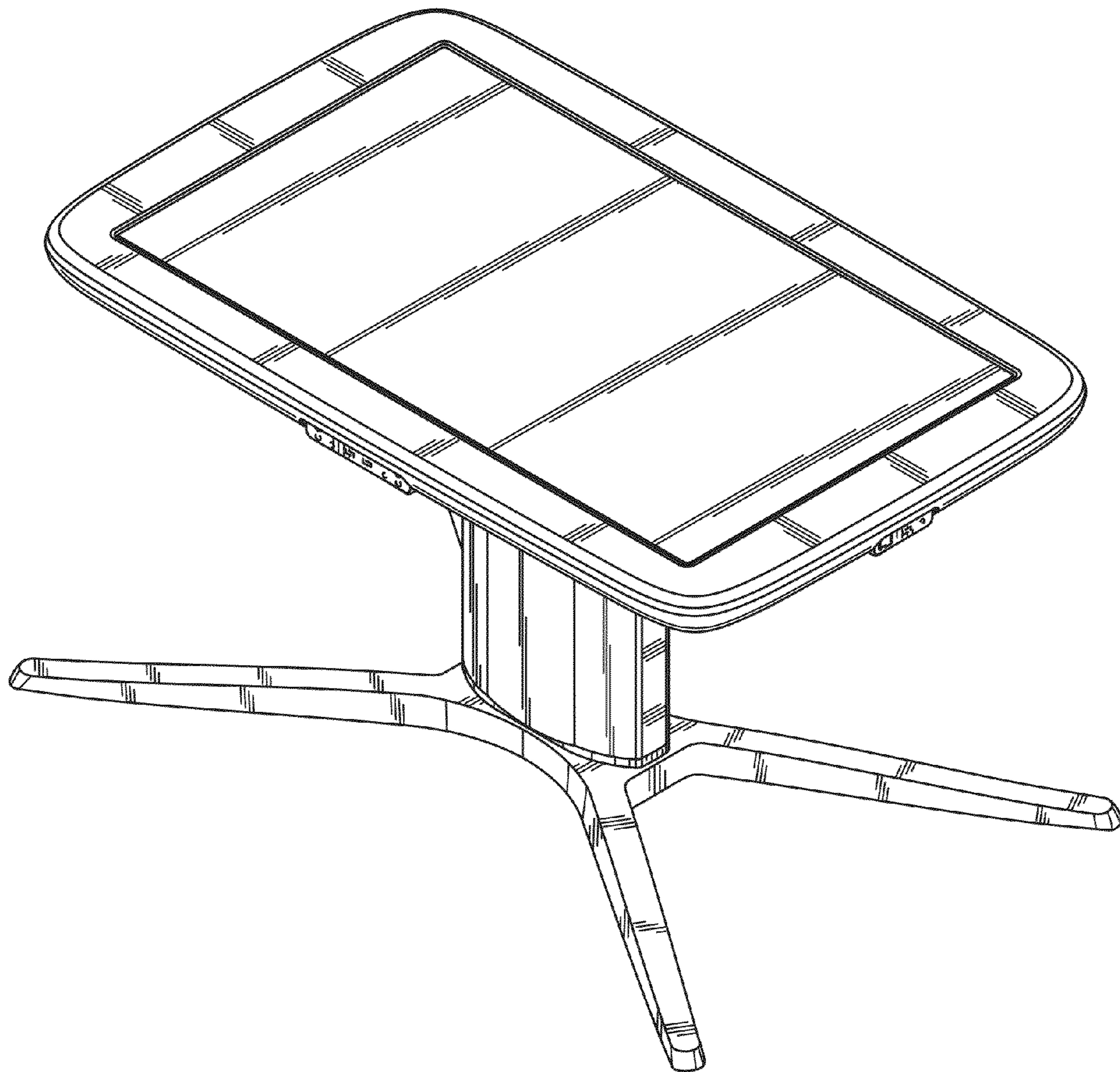


FIG. 1

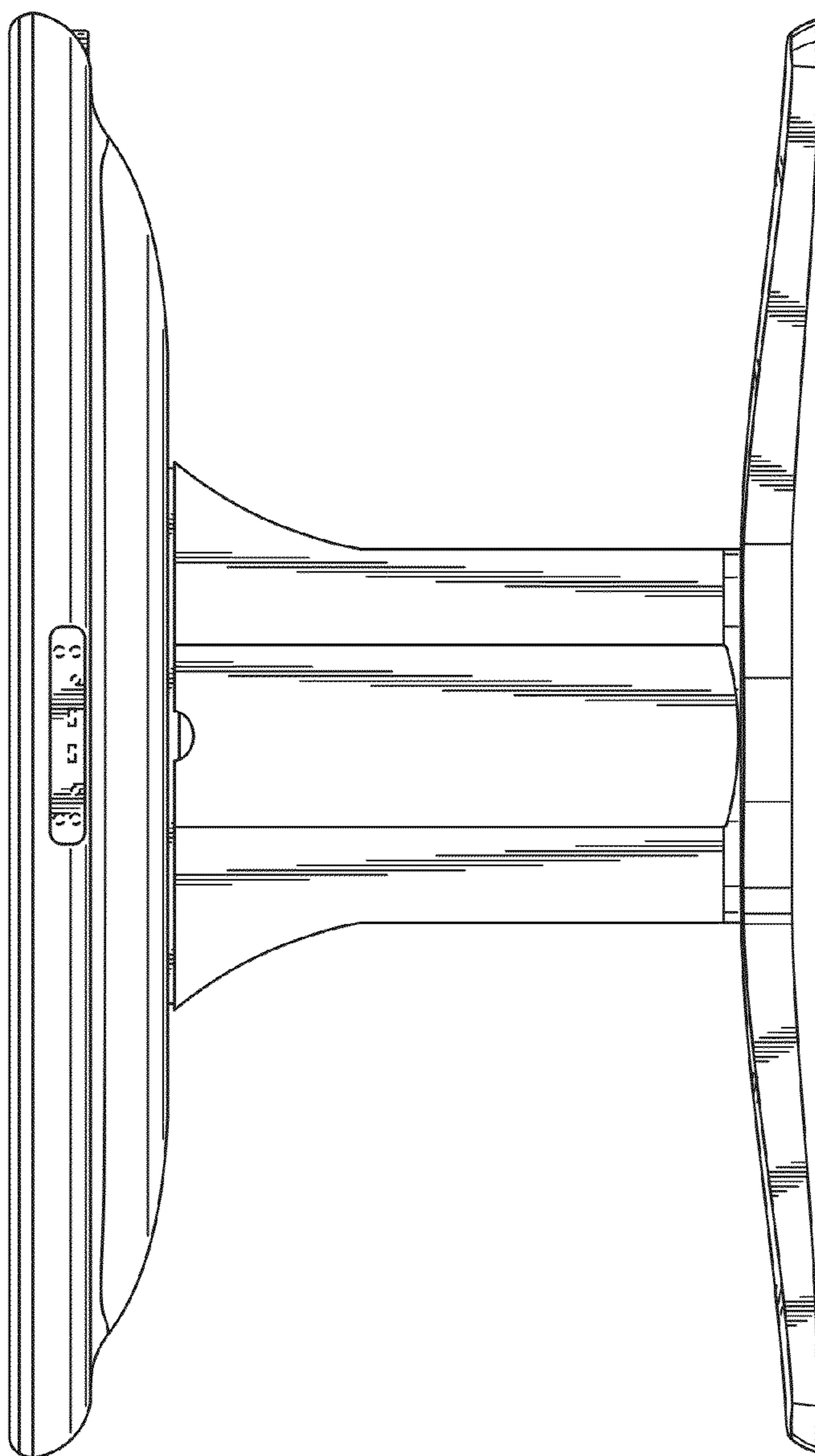


FIG. 2

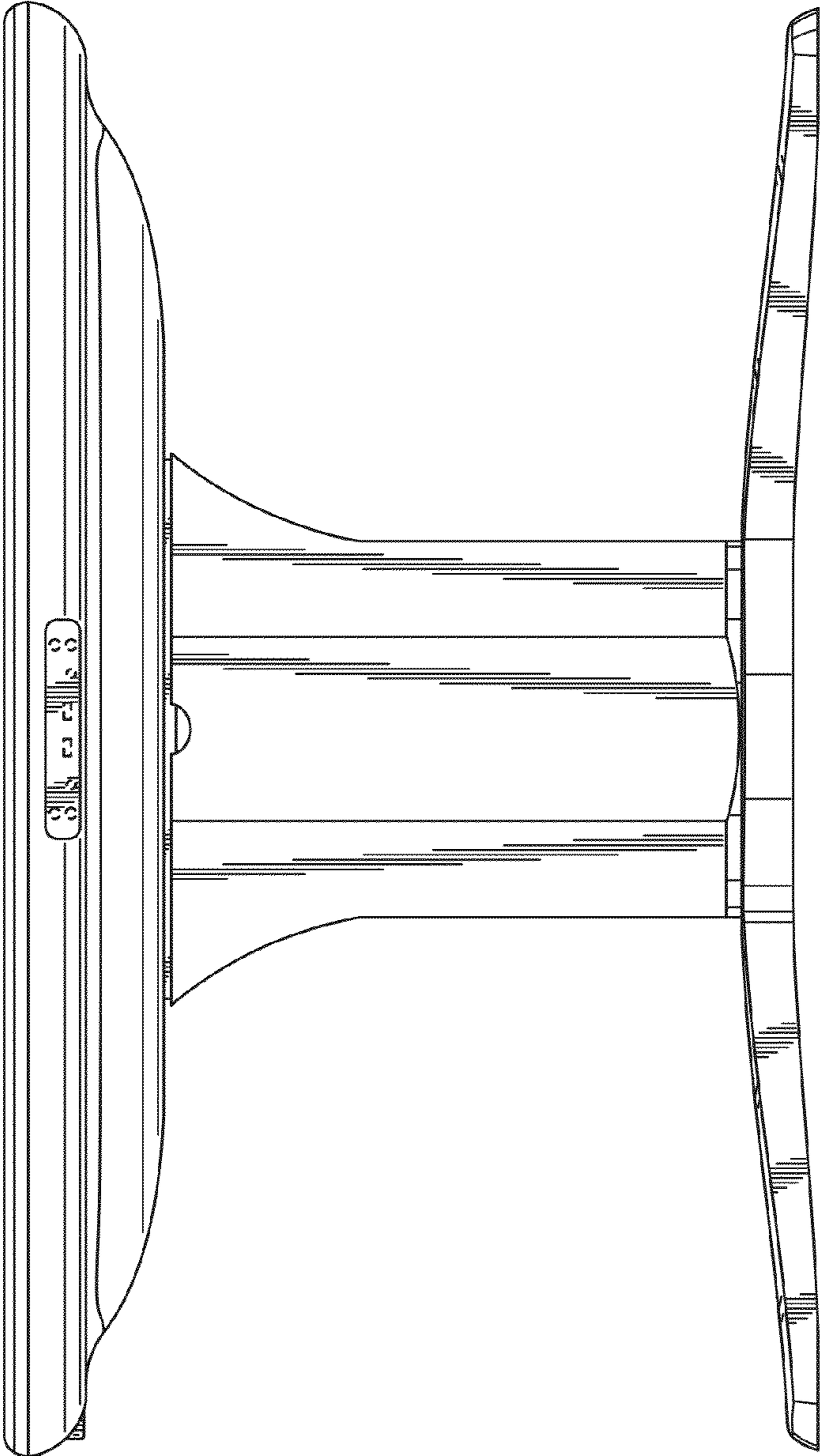


FIG. 3

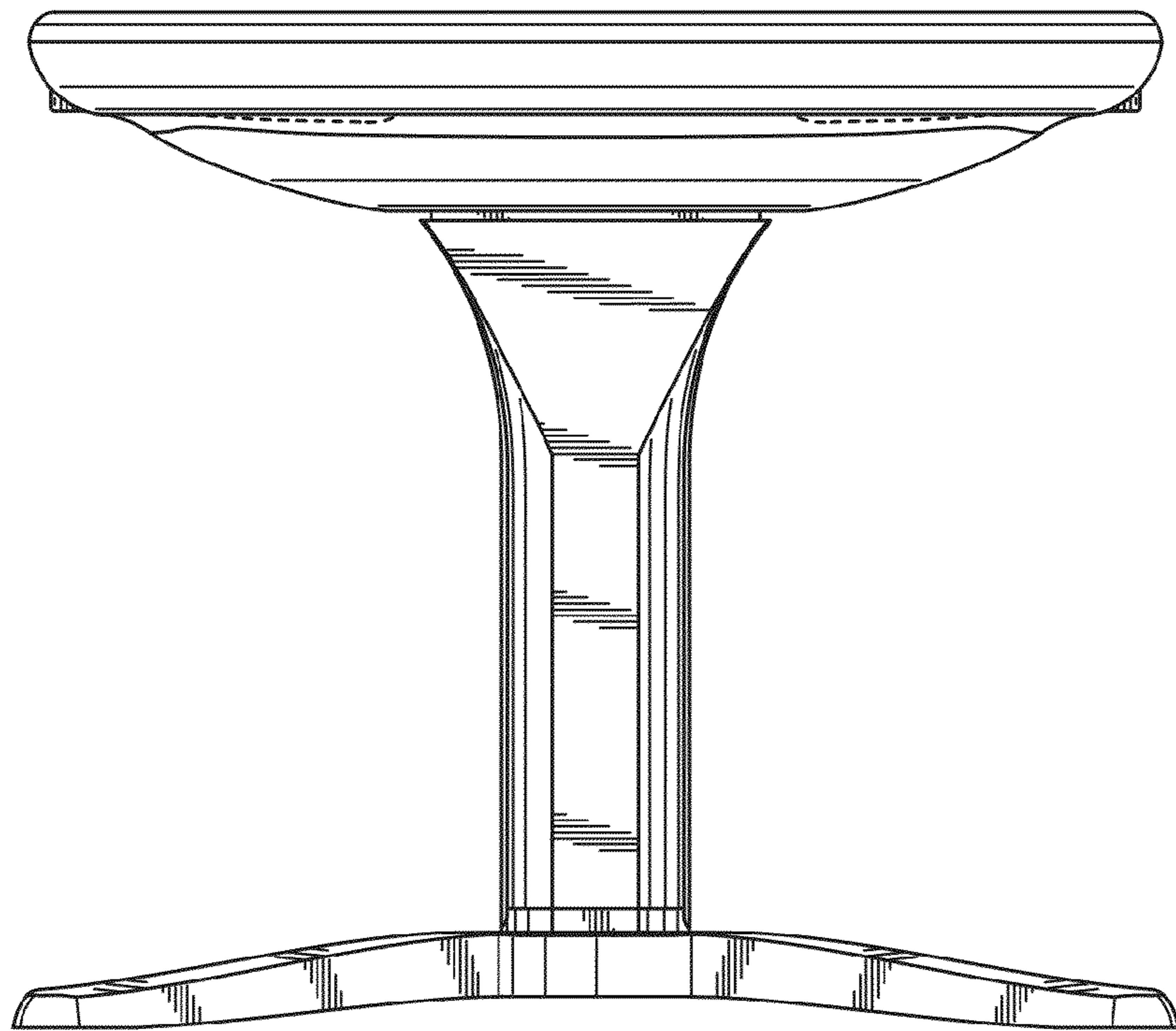


FIG. 4

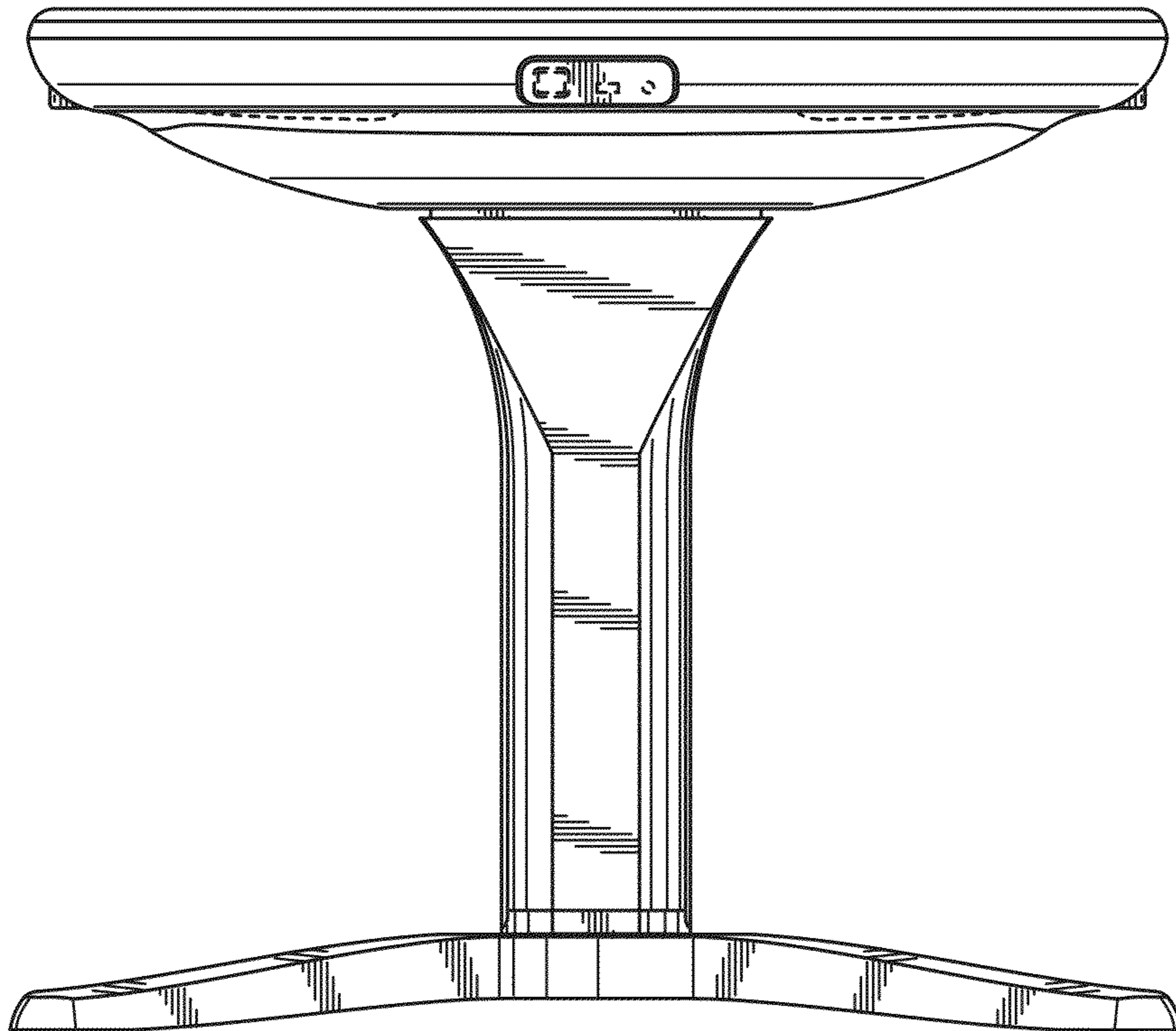


FIG. 5

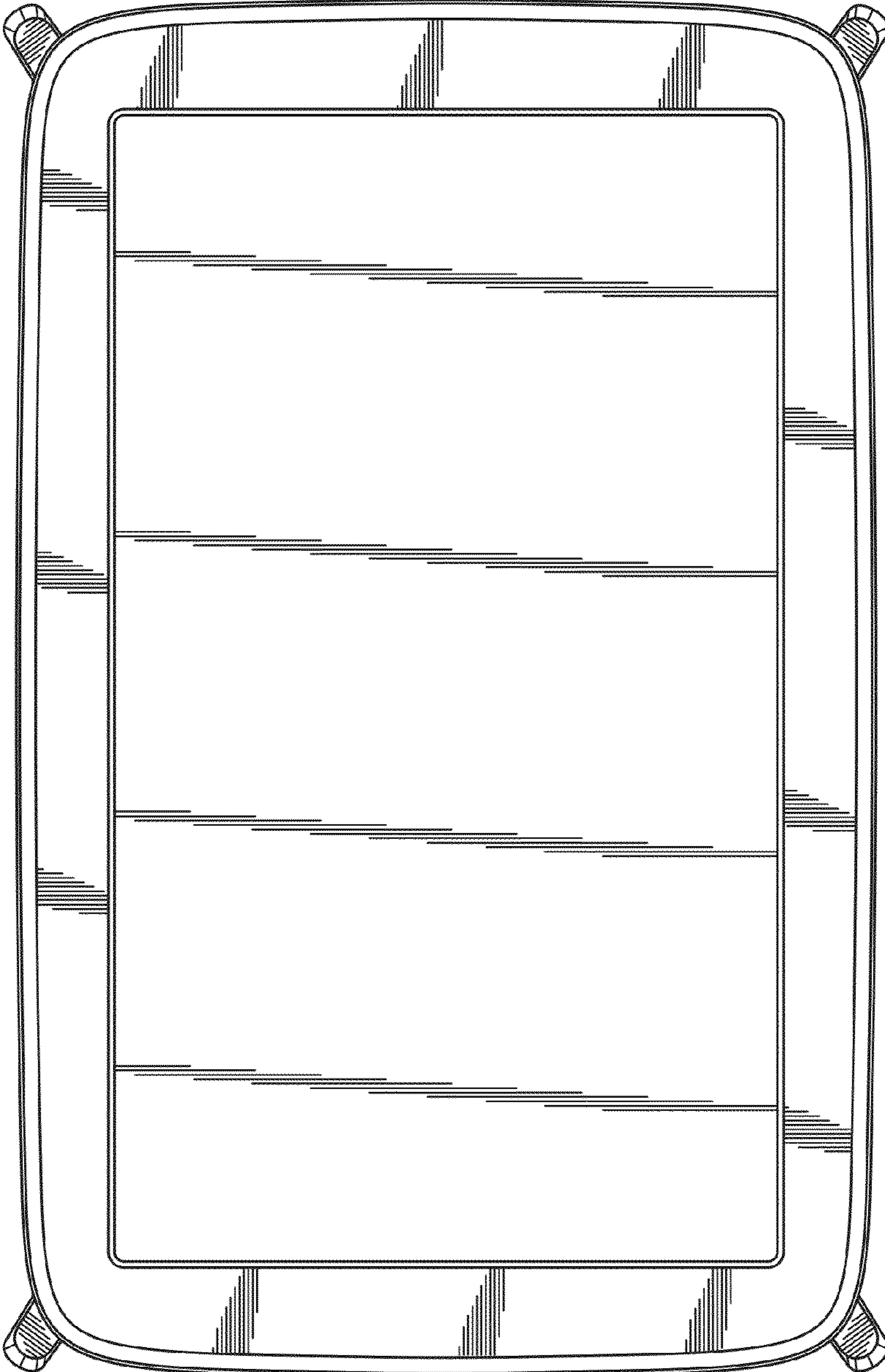


FIG. 6

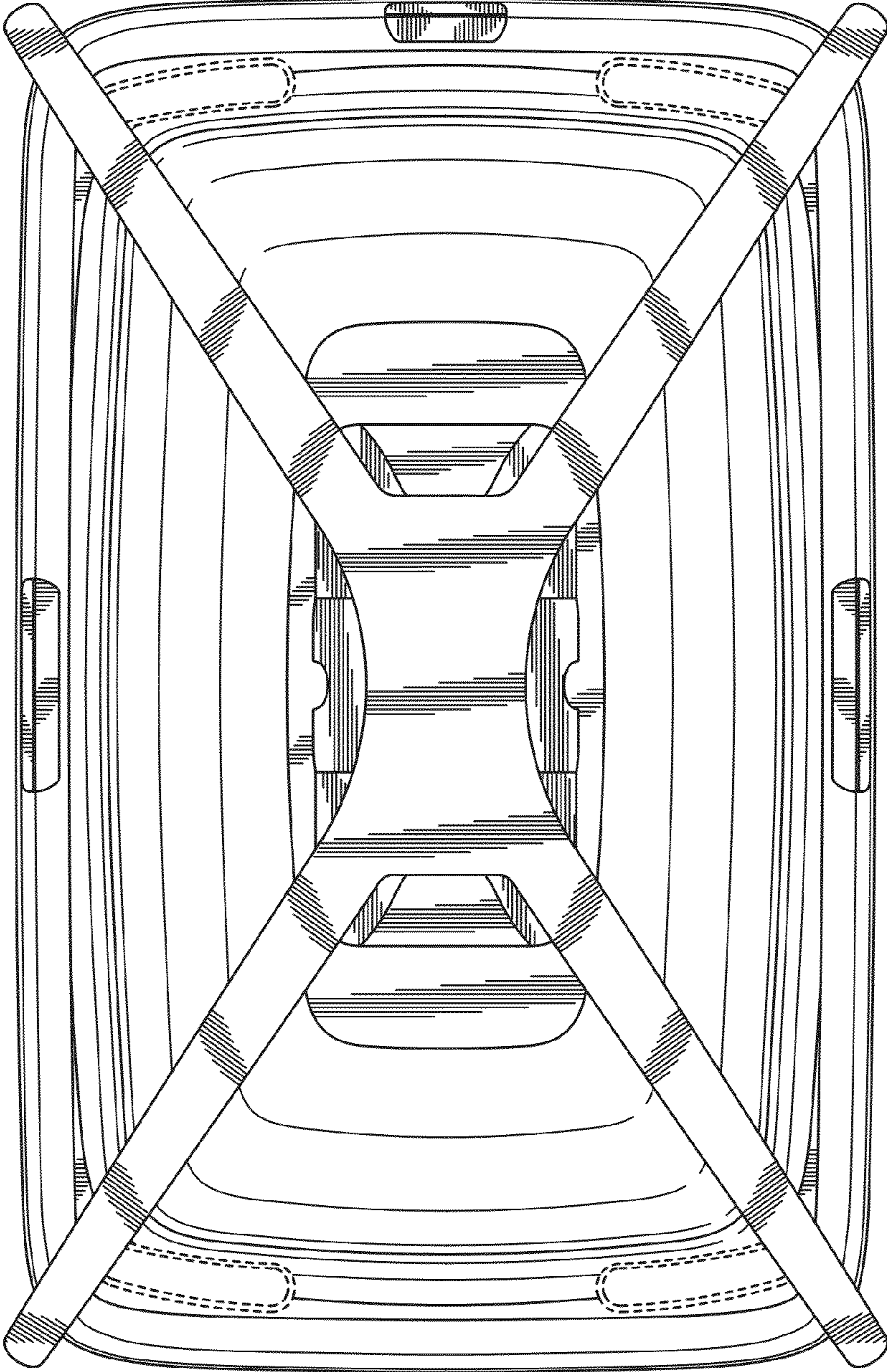


FIG. 7