



US00D684968S

(12) **United States Design Patent**
Smith et al.

(10) **Patent No.:** **US D684,968 S**
(45) **Date of Patent:** **** *Jun. 25, 2013**

(54) **PORTABLE ELECTRONIC DEVICE**

(75) Inventors: **Dustin Jonathan Smith**, Kitchener (CA); **Anders Fahrendorff**, Ottawa (CA); **Todd Andrew Wood**, Toronto (CA)

(73) Assignee: **Research In Motion Limited**, Waterloo, Ontario (CA)

(*) Notice: This patent is subject to a terminal disclaimer.

(**) Term: **14 Years**

(21) Appl. No.: **29/413,332**

(22) Filed: **Feb. 14, 2012**

(51) **LOC (9) Cl.** **14-02**

(52) **U.S. Cl.**
USPC **D14/341**

(58) **Field of Classification Search**
USPC D14/341–347, 137, 138, 138.1, 138 A, D14/138 AA, 138 R, 138 AB, 138 AC, 138 AD, D14/138 C, 138 G, 496, 203.1, 203.3, 203.4, D14/203.5, 203.7, 426, 427, 432, 429, 129, D14/130, 420, 439–441, 448, 125, 126, 147, D14/156, 218, 247–248, 250, 389, 388, 315–318; D10/65, 104; D18/6–7; D21/324, D21/329, 330; D19/26, 59, 60; 455/556.1, 455/556.2, 566, 575.1, 90.3; 379/433.04, 379/433.01, 433.06, 916; 345/169, 173, 901, 345/905; 361/679.26, 679.27, 679.3, 679.55, 361/679.56

See application file for complete search history.

(56) **References Cited**

U.S. PATENT DOCUMENTS

D306,583 S * 3/1990 Krolopp et al. D14/137
D333,574 S * 3/1993 Ackeret D6/300

D337,569 S * 7/1993 Kando D14/341
D444,632 S * 7/2001 Hoodenpyl et al. D6/300
D532,791 S * 11/2006 Kim D14/203.7
D550,270 S * 9/2007 Astill D16/241
D557,259 S * 12/2007 Hirsch D14/217
D560,227 S * 1/2008 Bennett et al. D14/496
D579,930 S * 11/2008 Maskatia D14/341
D580,431 S * 11/2008 Morita D14/341
D584,738 S * 1/2009 Kim et al. D14/496
D601,353 S * 10/2009 Sadler et al. D6/308
D602,014 S * 10/2009 Andre et al. D14/341
D602,487 S * 10/2009 Maskatia D14/341
D611,500 S * 3/2010 Byle et al. D14/496
D617,793 S * 6/2010 Chiang et al. D14/341
D622,514 S * 8/2010 Park et al. D6/308
D625,306 S * 10/2010 Miyawaki D14/341
D627,777 S * 11/2010 Akana et al. D14/341
D635,784 S * 4/2011 Li et al. D6/308
D636,391 S * 4/2011 Shen et al. D14/341
D636,769 S * 4/2011 Wood et al. D14/341
D638,412 S * 5/2011 Lee D14/250
D639,805 S * 6/2011 Song et al. D14/341
D641,018 S * 7/2011 Lee et al. D14/341
D645,435 S * 9/2011 Kim et al. D14/138 G

(Continued)

Primary Examiner — Barbara Fox

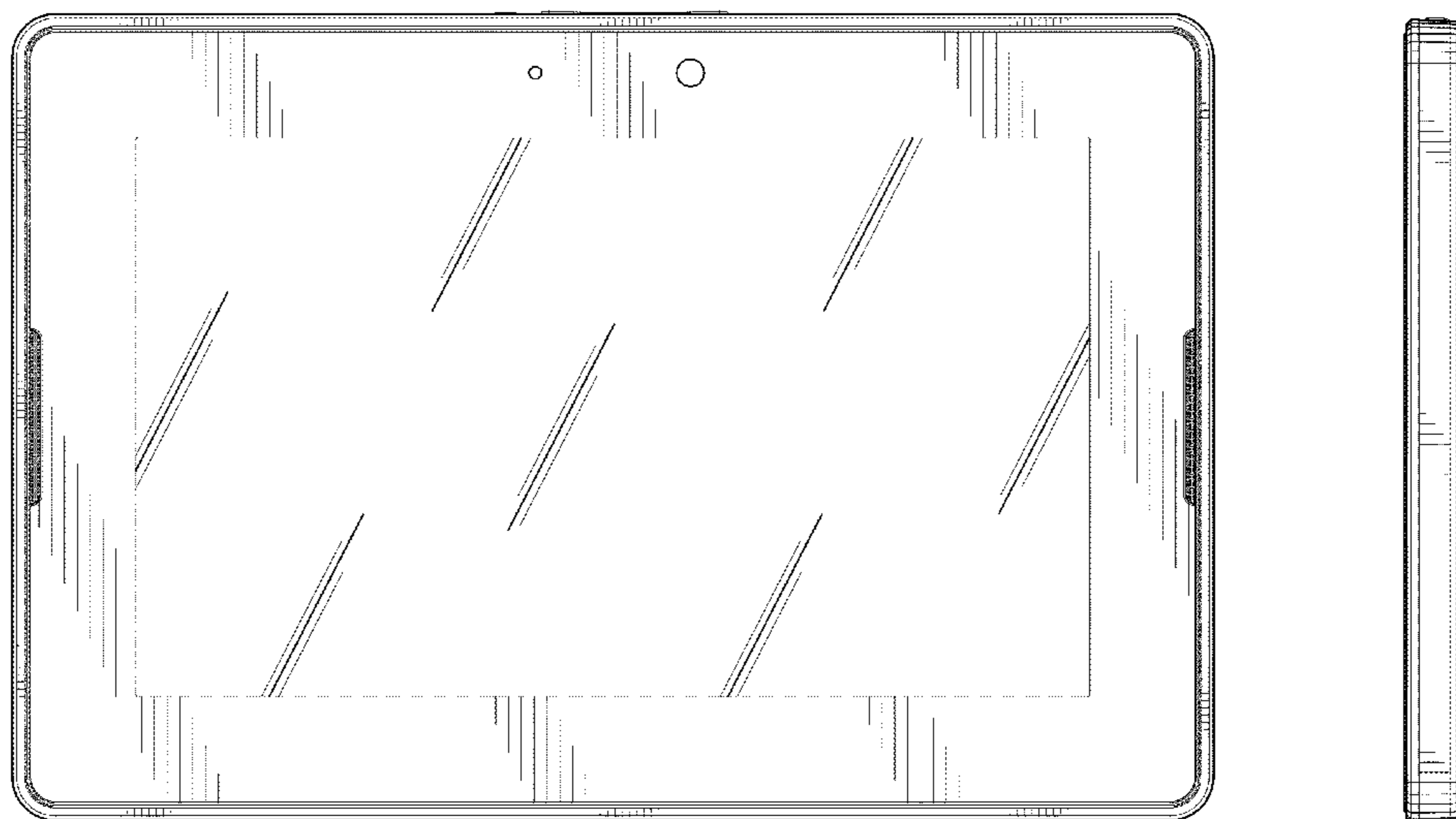
(57) **CLAIM**

We claim the ornamental design for a portable electronic device, as shown and described.

DESCRIPTION

FIG. 1 is a front perspective view of a portable electronic device;
FIG. 2 is a back perspective view of the portable electronic device;
FIG. 3 is a front elevational view thereof;
FIG. 4 is a back elevational view thereof;
FIG. 5 is a left elevational view thereof;
FIG. 6 is a right elevational view thereof;
FIG. 7 is a top plan view thereof; and,
FIG. 8 is a bottom plan view thereof.

1 Claim, 6 Drawing Sheets



US D684,968 S

Page 2

U.S. PATENT DOCUMENTS

D646,902 S *	10/2011	Woo et al.	D6/308	D665,370 S *	8/2012	Chung	D14/138 AD
D650,381 S *	12/2011	Park et al.	D14/341	D666,198 S *	8/2012	Van Den Nieuwenhuizen et al.	D14/341
D652,008 S *	1/2012	Kim et al.	D14/138 G	D667,396 S *	9/2012	Koh	D14/341
D652,418 S *	1/2012	Rashid et al.	D14/341	D667,397 S *	9/2012	Koh	D14/341
D654,074 S *	2/2012	Wood et al.	D14/341	D667,398 S *	9/2012	Koh	D14/341
D654,460 S *	2/2012	Kim et al.	D14/138 G	D667,399 S *	9/2012	Koh	D14/341
D654,893 S *	2/2012	Jung	D14/138 G	D667,825 S *	9/2012	Jung	D14/341
D656,118 S *	3/2012	Kim et al.	D14/138 G	8,259,083 B2 *	9/2012	Kim	345/173
D656,918 S *	4/2012	Kim et al.	D14/138 G	D668,650 S *	10/2012	Han	D14/341
D657,764 S *	4/2012	Hong	D14/138 G	D668,651 S *	10/2012	Kim et al.	D14/341
D663,298 S *	7/2012	Song et al.	D14/341	D671,514 S *	11/2012	Kim et al.	D14/138 G
D664,540 S *	7/2012	Kim et al.	D14/341				
D664,954 S *	8/2012	Kim et al.	D14/341				

* cited by examiner

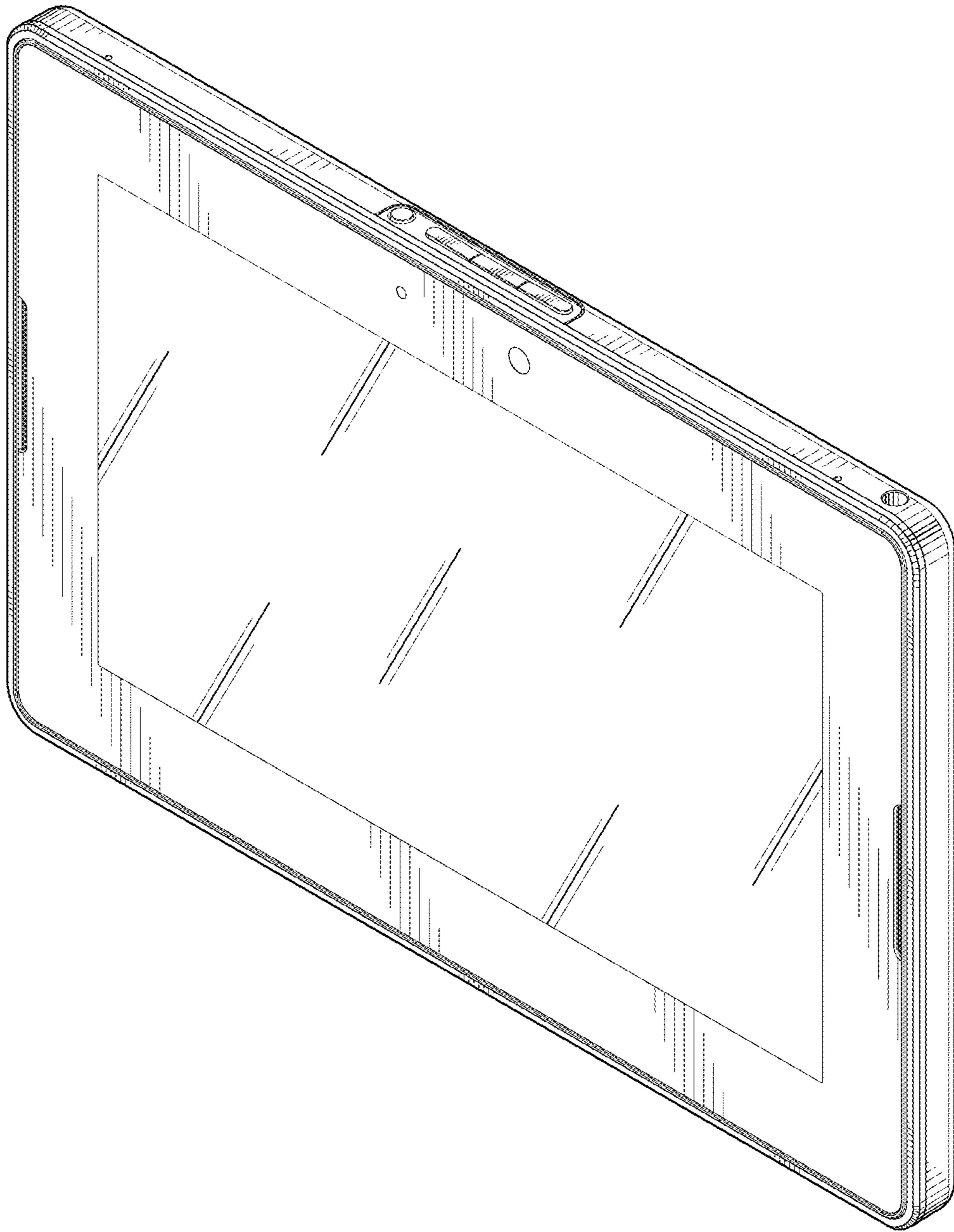


FIG.1

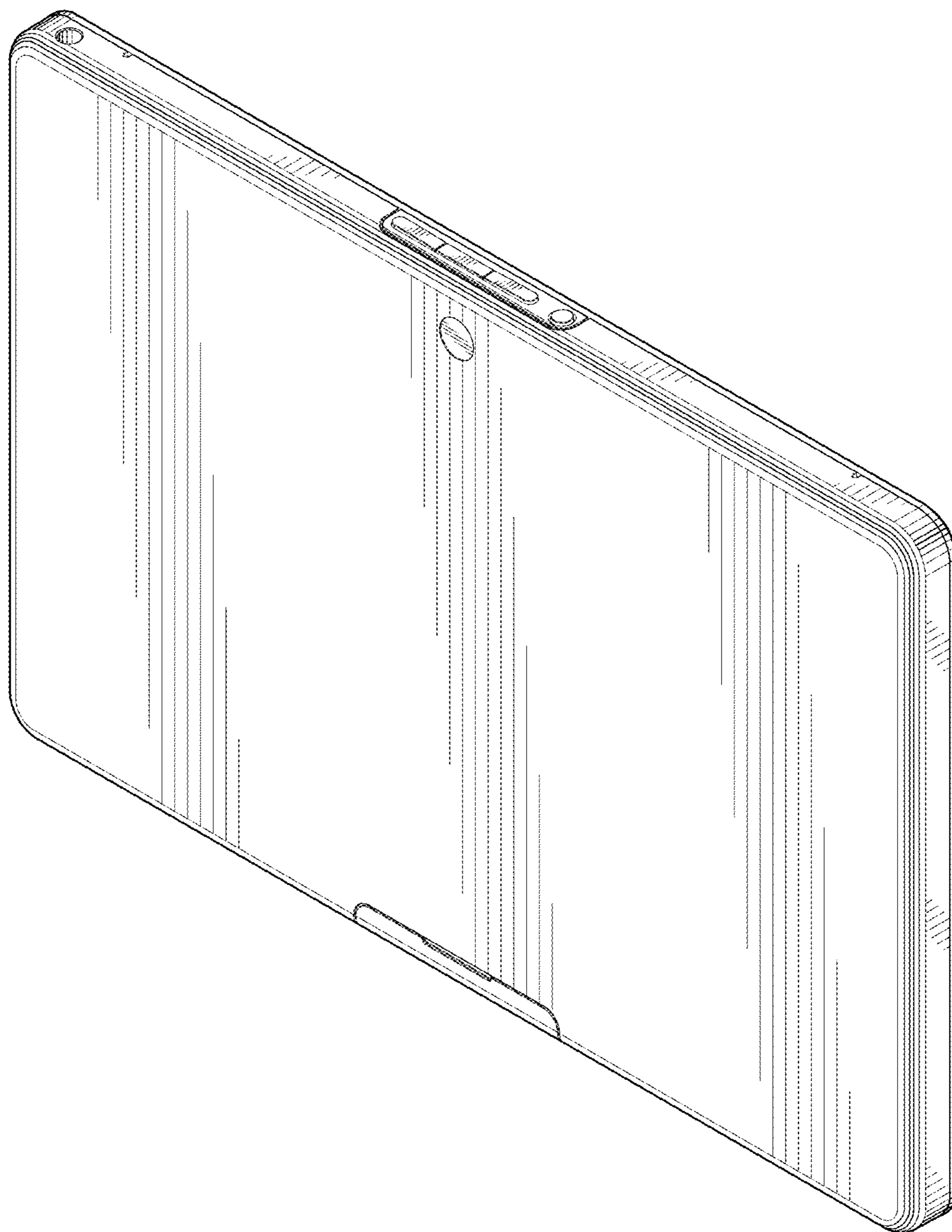


FIG.2

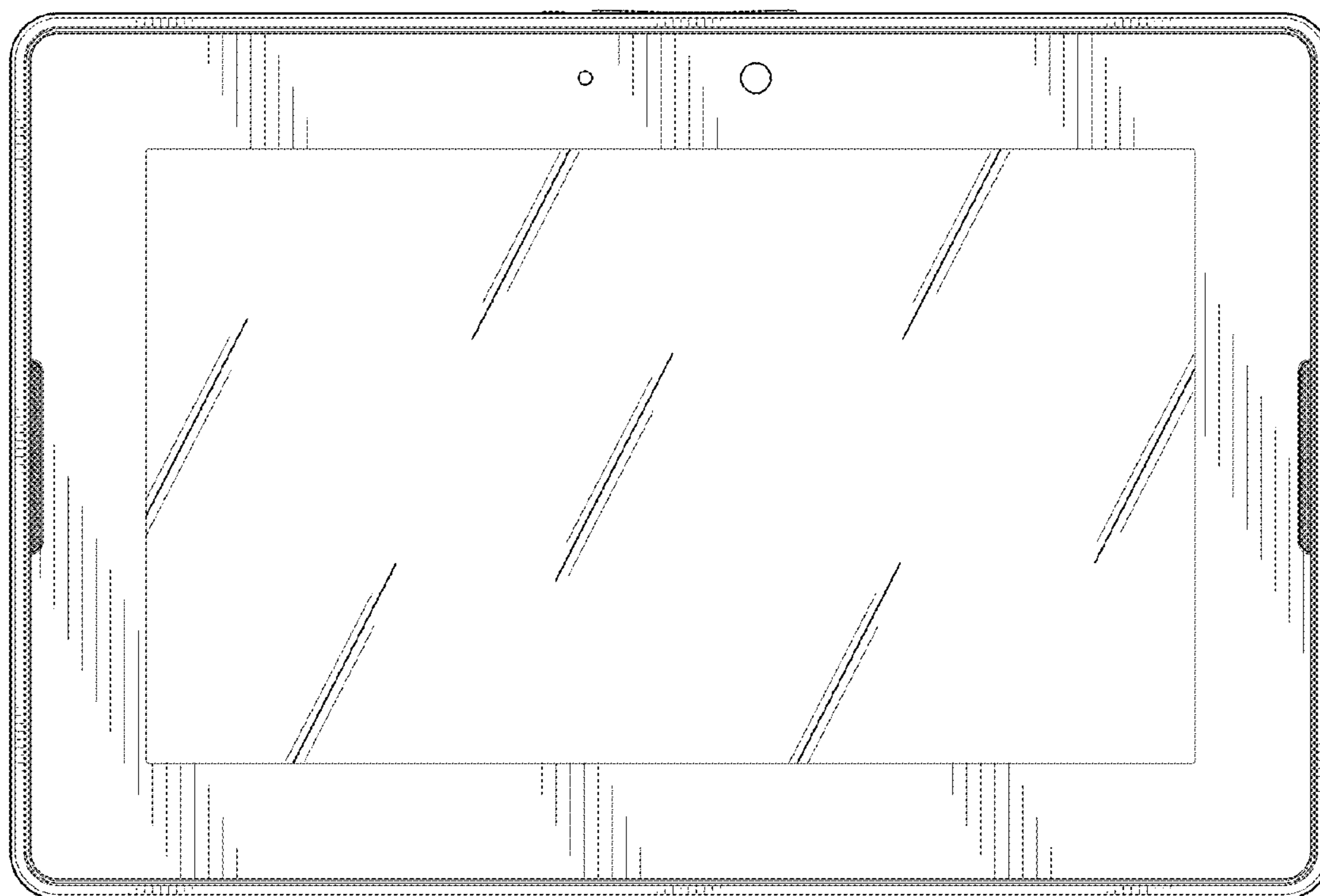


FIG.3

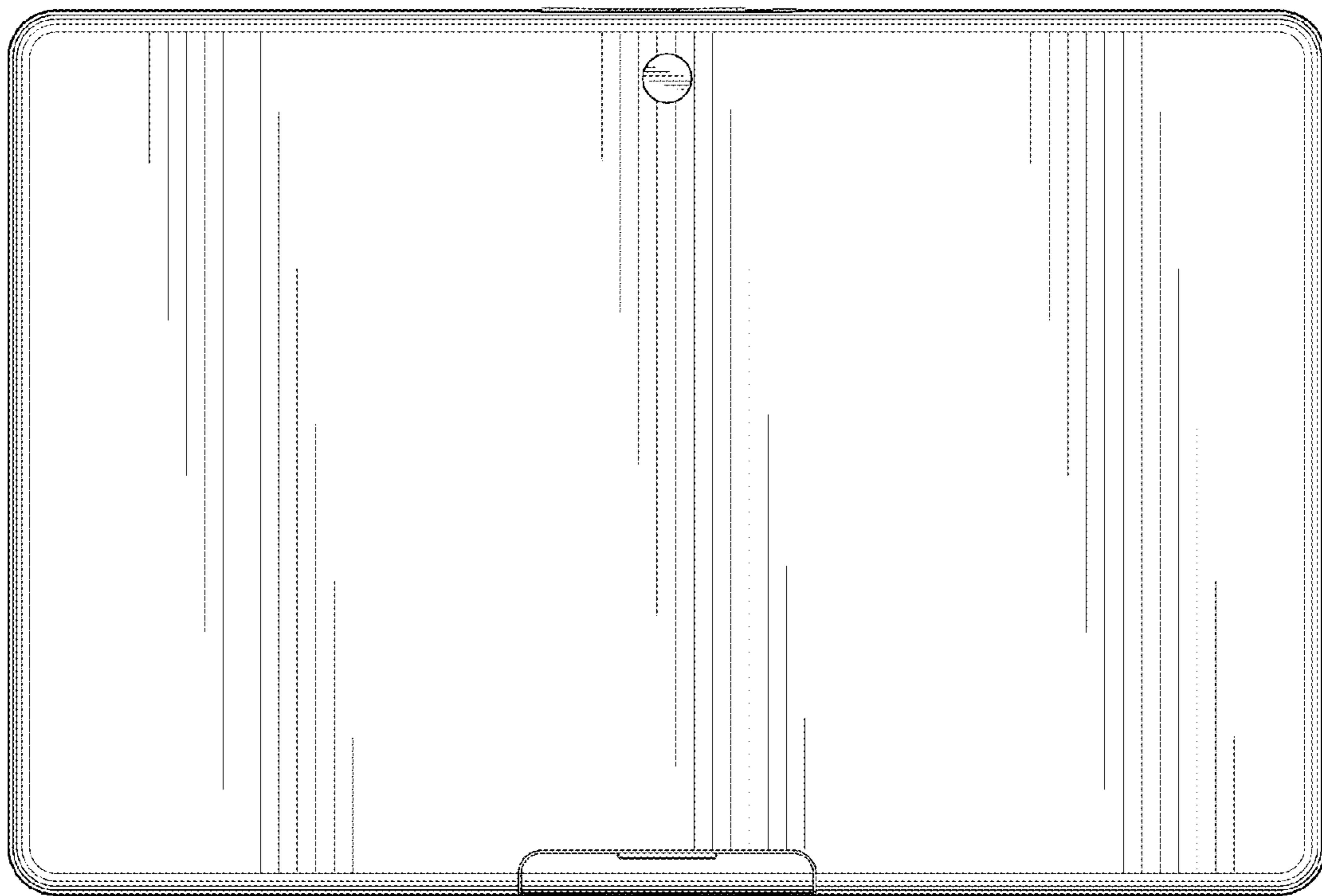


FIG. 4

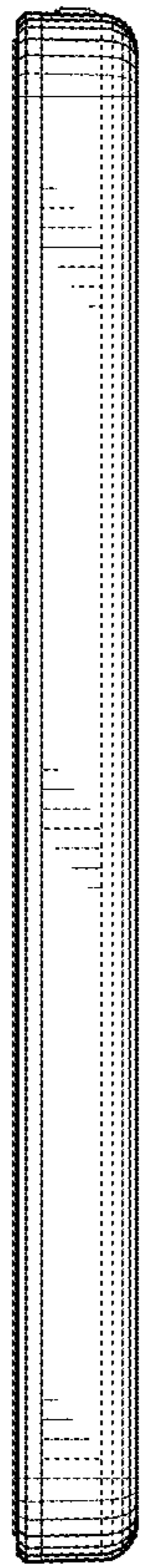


FIG.5

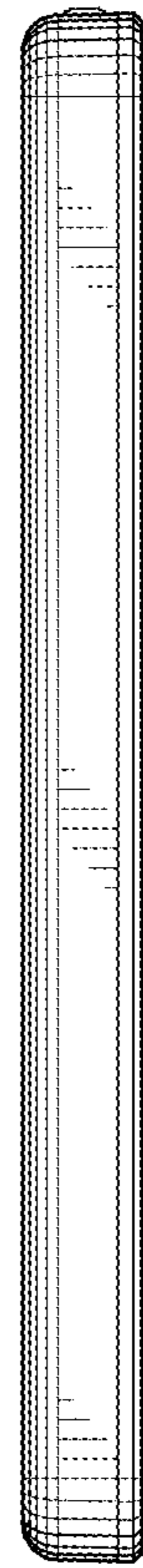


FIG.6



FIG. 7

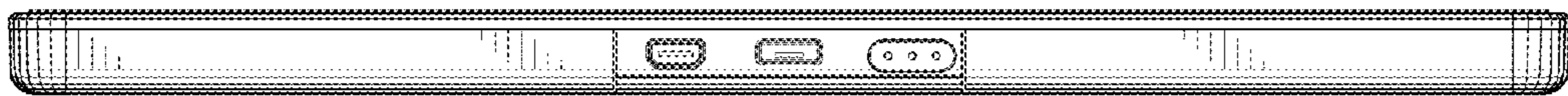


FIG. 8