



US00D684966S

(12) **United States Design Patent**
Lam et al.

(10) **Patent No.:** **US D684,966 S**
(45) **Date of Patent:** **** Jun. 25, 2013**

(54) **NOTEBOOK COMPUTER HOUSING**

DESCRIPTION

(75) Inventors: **Lawrence Lam**, San Jose, CA (US);
Felix Alvarez Rivera, San Jose, CA
(US); **Gad Amit**, San Francisco, CA
(US); **Jacqueline Belleau**, San
Francisco, CA (US); **Yoshikazu**
Hoshino, San Francisco, CA (US); **Amy**
Han, Palo Alto, CA (US)

(73) Assignee: **Google Inc.**, Mountain View, CA (US)

(**) Term: **14 Years**

(21) Appl. No.: **29/408,688**

(22) Filed: **Dec. 15, 2011**

(51) **LOC (9) Cl.** **14-02**

(52) **U.S. Cl.**
USPC **D14/327**

(58) **Field of Classification Search**
USPC D14/315–327, 439; D18/1, 2, 7,
D18/11; 235/145 A, 145 R; 341/22, 23;
345/104, 156, 168, 169, 173; 361/679.08,
361/679.09, 679.11, 679.26, 679.27; 16/367
See application file for complete search history.

(56) **References Cited**

U.S. PATENT DOCUMENTS

5,566,048 A * 10/1996 Esterberg et al. 361/679.27
D416,238 S 11/1999 Irie et al.

(Continued)

Primary Examiner — Freda S Nunn

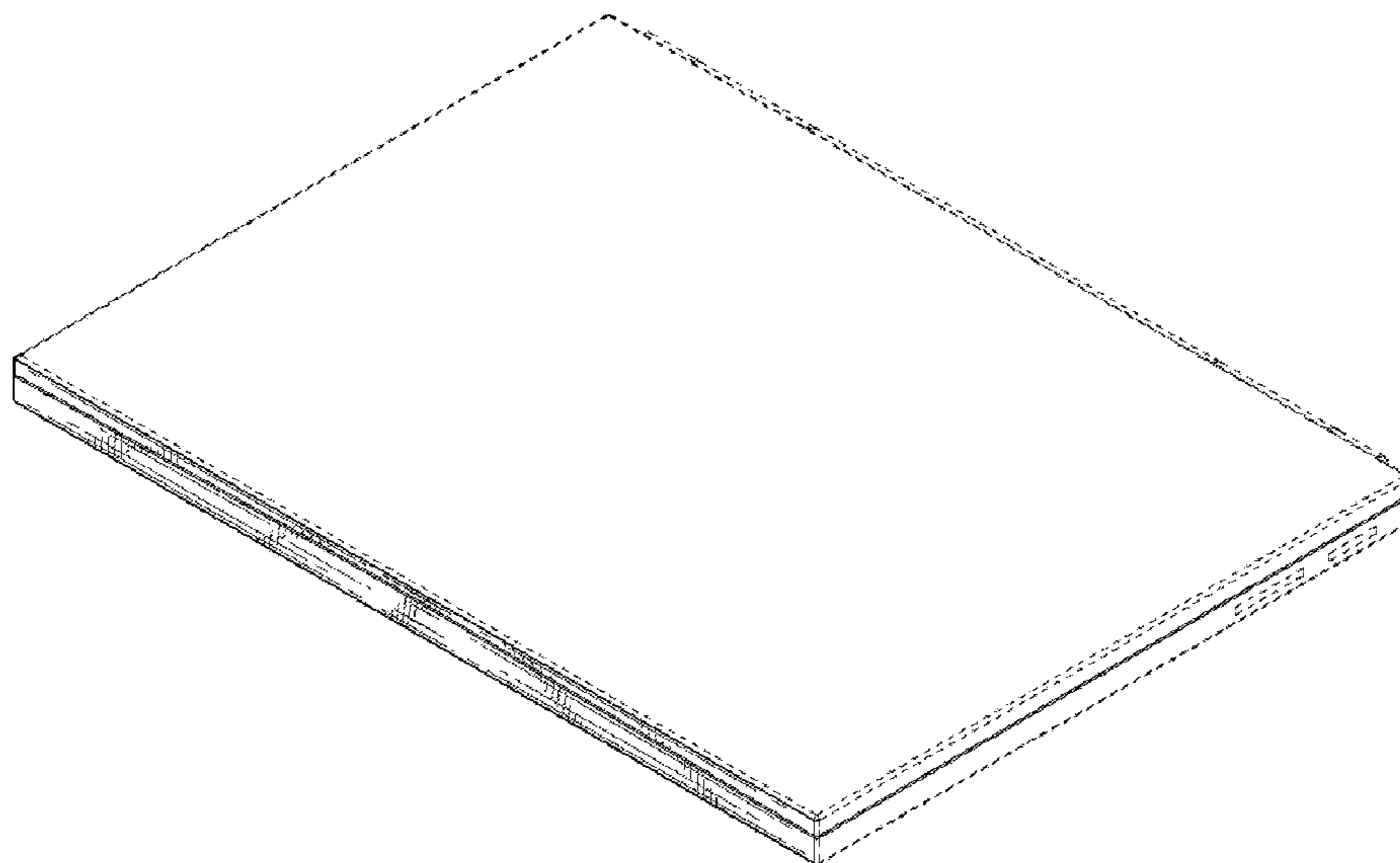
(74) *Attorney, Agent, or Firm* — Lerner, David, Littenberg,
Krumholz & Mentlik, LLP

(57) **CLAIM**

The ornamental design for a notebook computer housing, as
shown and described.

FIG. 1 is a perspective view of a notebook computer housing
according to our design shown in a closed configuration;
FIG. 2 is a top view thereof;
FIG. 3 is a bottom view thereof;
FIG. 4 is a front view thereof;
FIG. 5 is a back view thereof;
FIG. 6 is a right side view thereof;
FIG. 7 is a left side view thereof;
FIG. 8 is a perspective view thereof shown in an open con-
figuration;
FIG. 9 is a top view thereof;
FIG. 10 is a bottom view thereof;
FIG. 11 is a front view thereof;
FIG. 12 is a back view thereof;
FIG. 13 is a right side view thereof;
FIG. 14 is a left side view thereof;
FIG. 15 is a perspective view of a second embodiment thereof
shown in a closed configuration;
FIG. 16 is a top view thereof;
FIG. 17 is a bottom view thereof;
FIG. 18 is a front view thereof;
FIG. 19 is a back view thereof;
FIG. 20 is a right side view thereof;
FIG. 21 is a left side view thereof;
FIG. 22 is a perspective view thereof shown in an open con-
figuration;
FIG. 23 is a top view thereof;
FIG. 24 is a bottom view thereof;
FIG. 25 is a front view thereof;
FIG. 26 is a back view thereof;
FIG. 27 is a right side view thereof; and,
FIG. 28 is a left side view thereof.
Broken lines are shown for environmental purposes only and
form no part of the claimed design.

1 Claim, 28 Drawing Sheets



US D684,966 S

Page 2

U.S. PATENT DOCUMENTS

D430,155 S	8/2000	Cronk	
D513,509 S	1/2006	Kawa	
D517,544 S	3/2006	Massaro et al.	
D524,306 S	7/2006	Yun et al.	
D556,192 S	11/2007	Jeong et al.	
D558,752 S *	1/2008	Andre et al.	D14/315
D564,511 S *	3/2008	Akhtar	D14/318
D566,112 S	4/2008	Kawami et al.	
D583,373 S	12/2008	Chen	
D586,796 S	2/2009	Lee et al.	
D598,441 S	8/2009	Latto et al.	
D601,138 S	9/2009	Solomon et al.	
D604,293 S	11/2009	Andre et al.	
D627,341 S	11/2010	Yoon	
D630,221 S *	1/2011	Sogabe et al.	D14/439
D635,575 S *	4/2011	Masui et al.	D14/439
2002/0080576 A1 *	6/2002	Katagiri	361/686
2002/0089819 A1 *	7/2002	Misawa et al.	361/683
2002/0176224 A1 *	11/2002	Dhar et al.	361/683
2006/0146488 A1 *	7/2006	Kimmel	361/681
2006/0209503 A1 *	9/2006	Bovio et al.	361/681
2006/0282985 A1 *	12/2006	Lu et al.	16/367

* cited by examiner

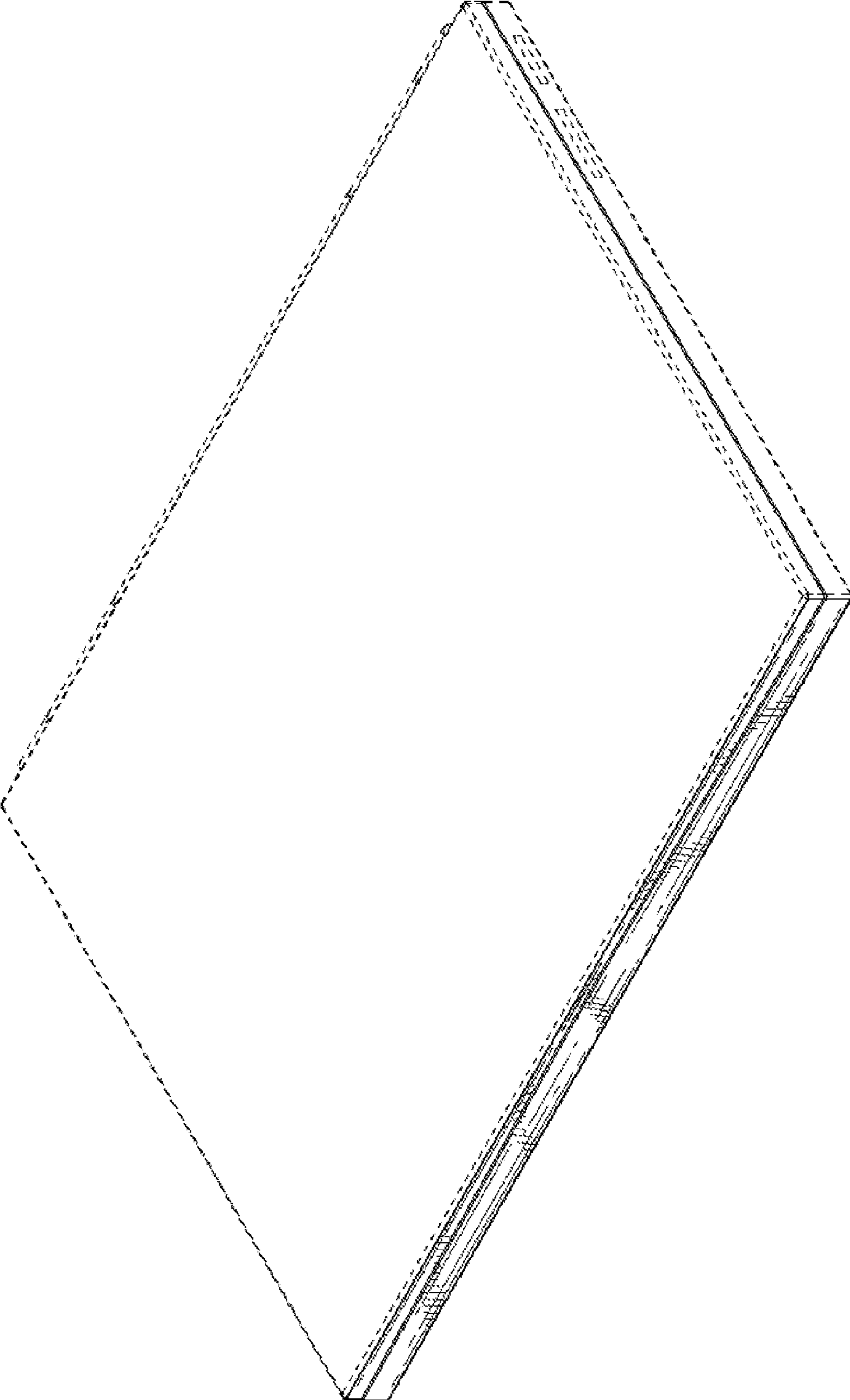


FIG. 1

FIG. 2

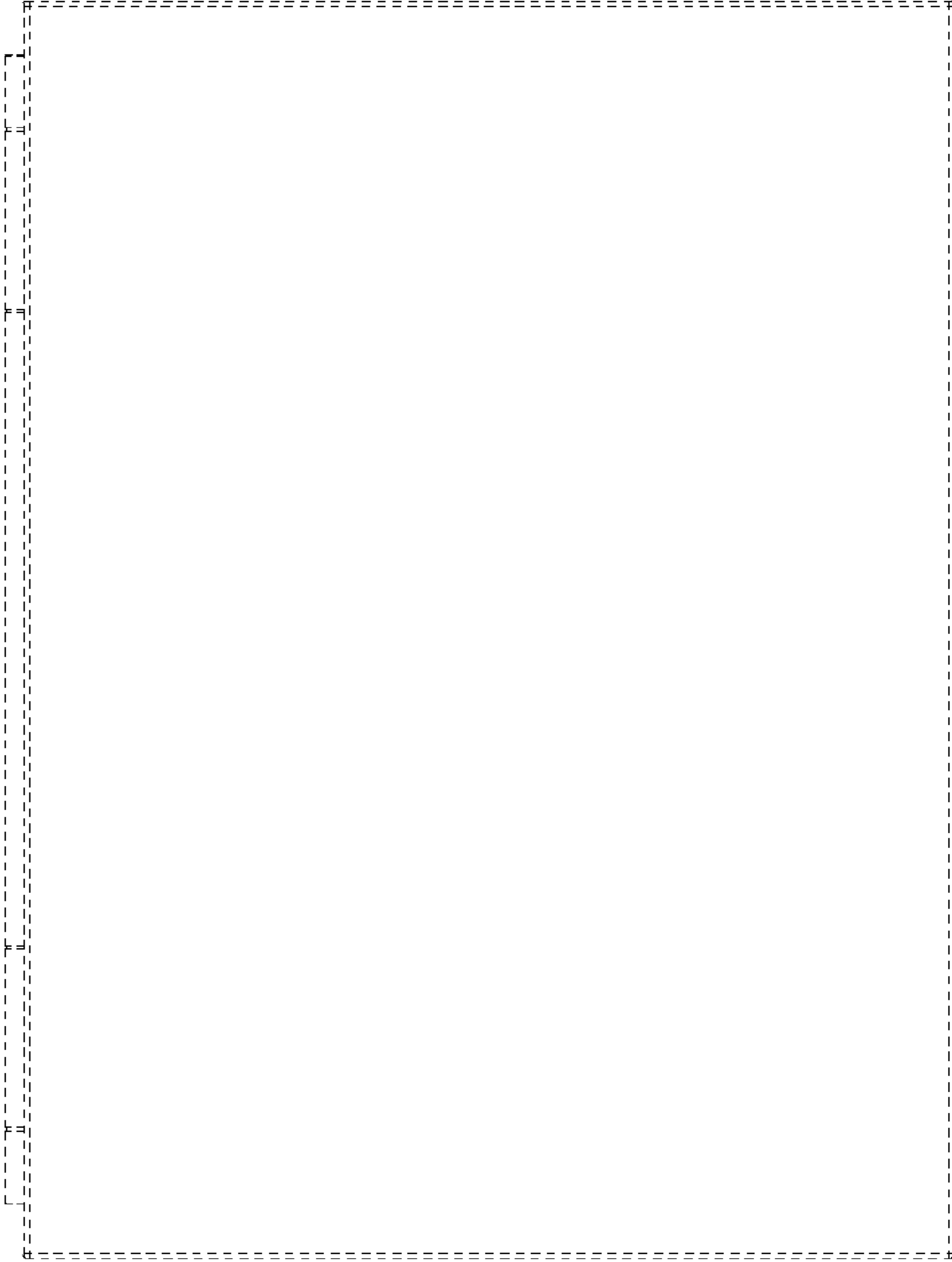


FIG. 3

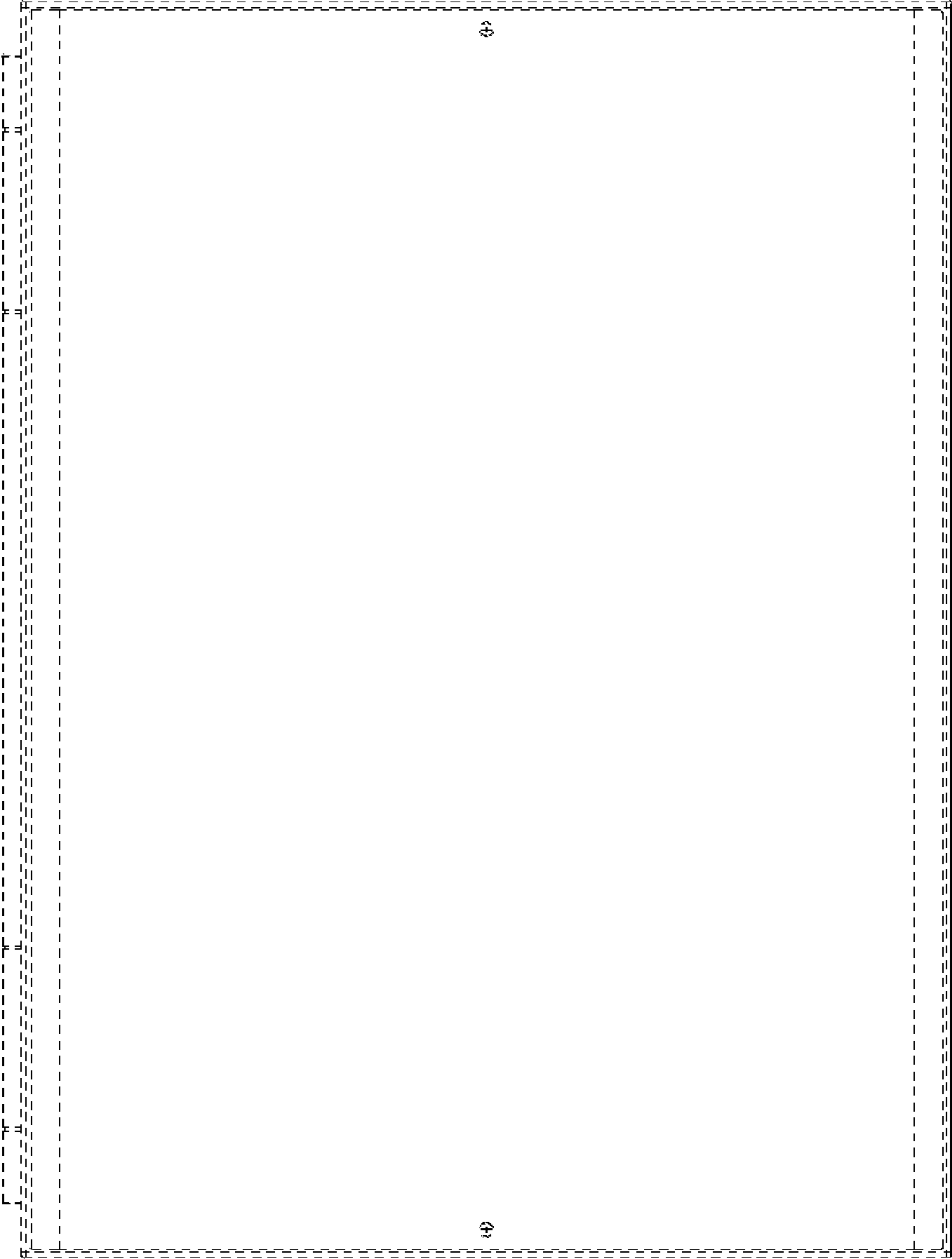


FIG. 4

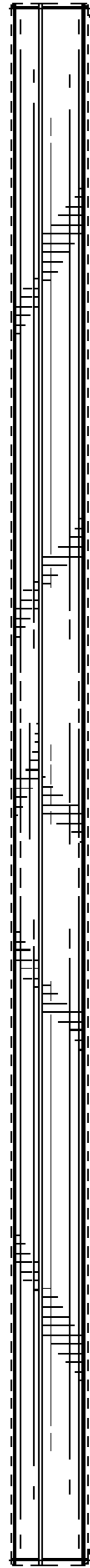


FIG. 5



FIG. 6

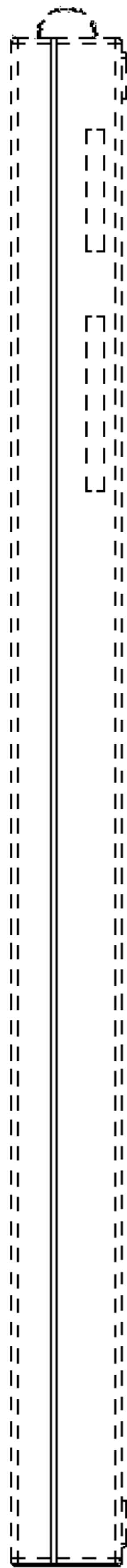
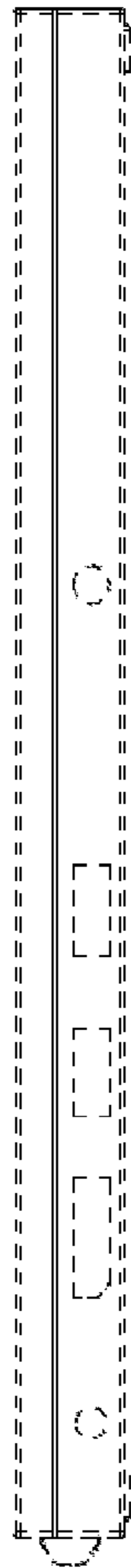


FIG. 7



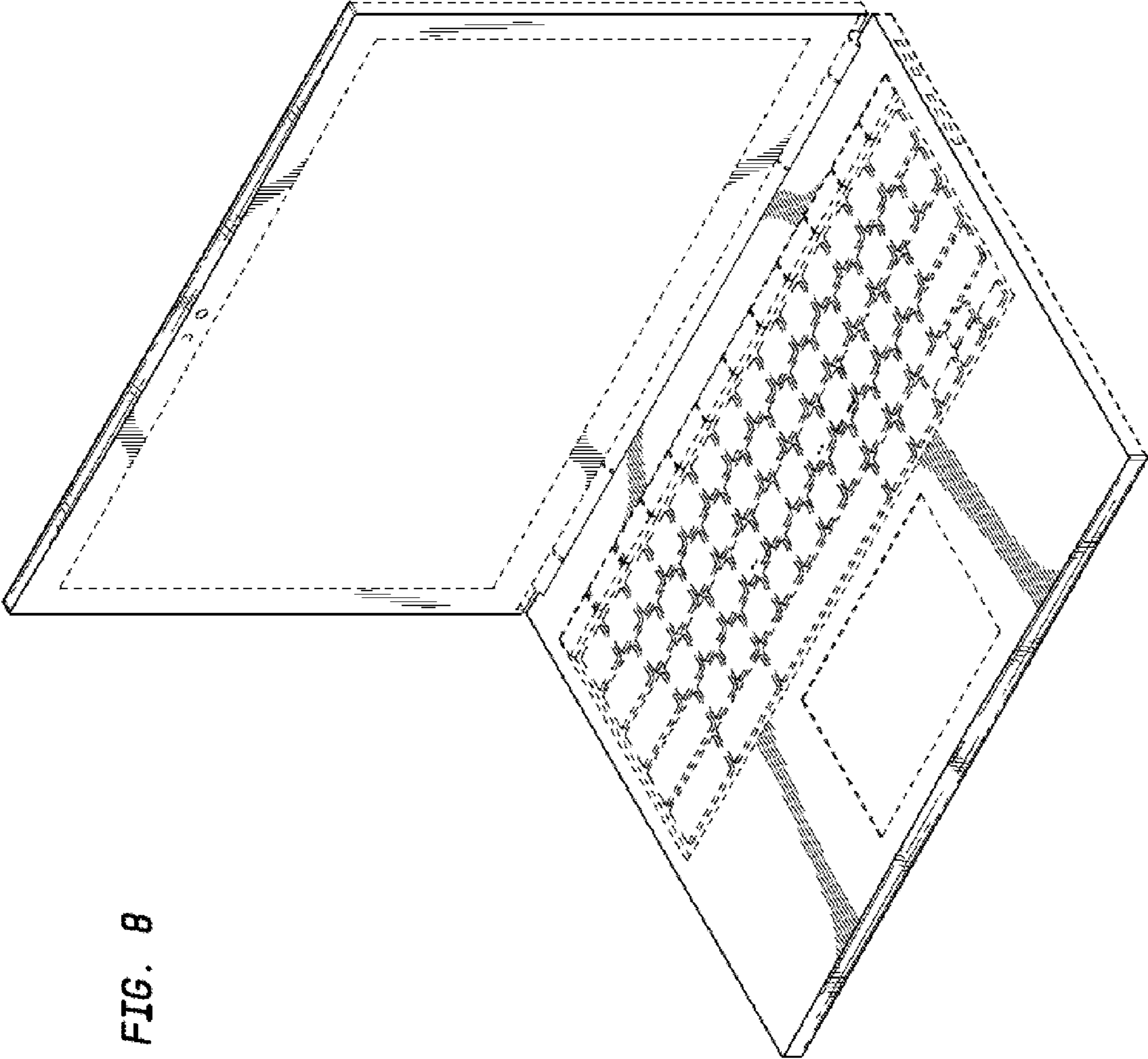


FIG. 8

FIG. 9

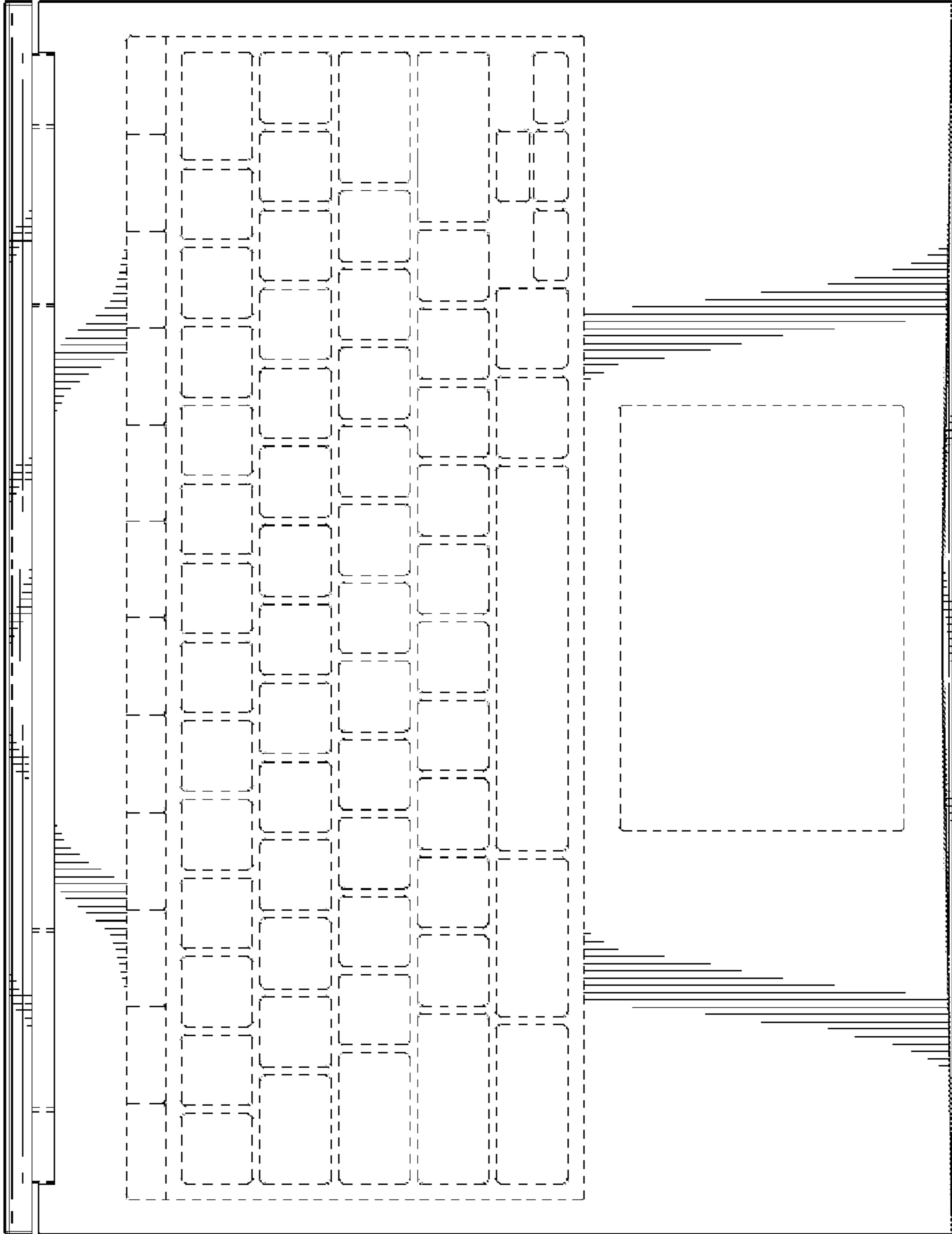


FIG. 10

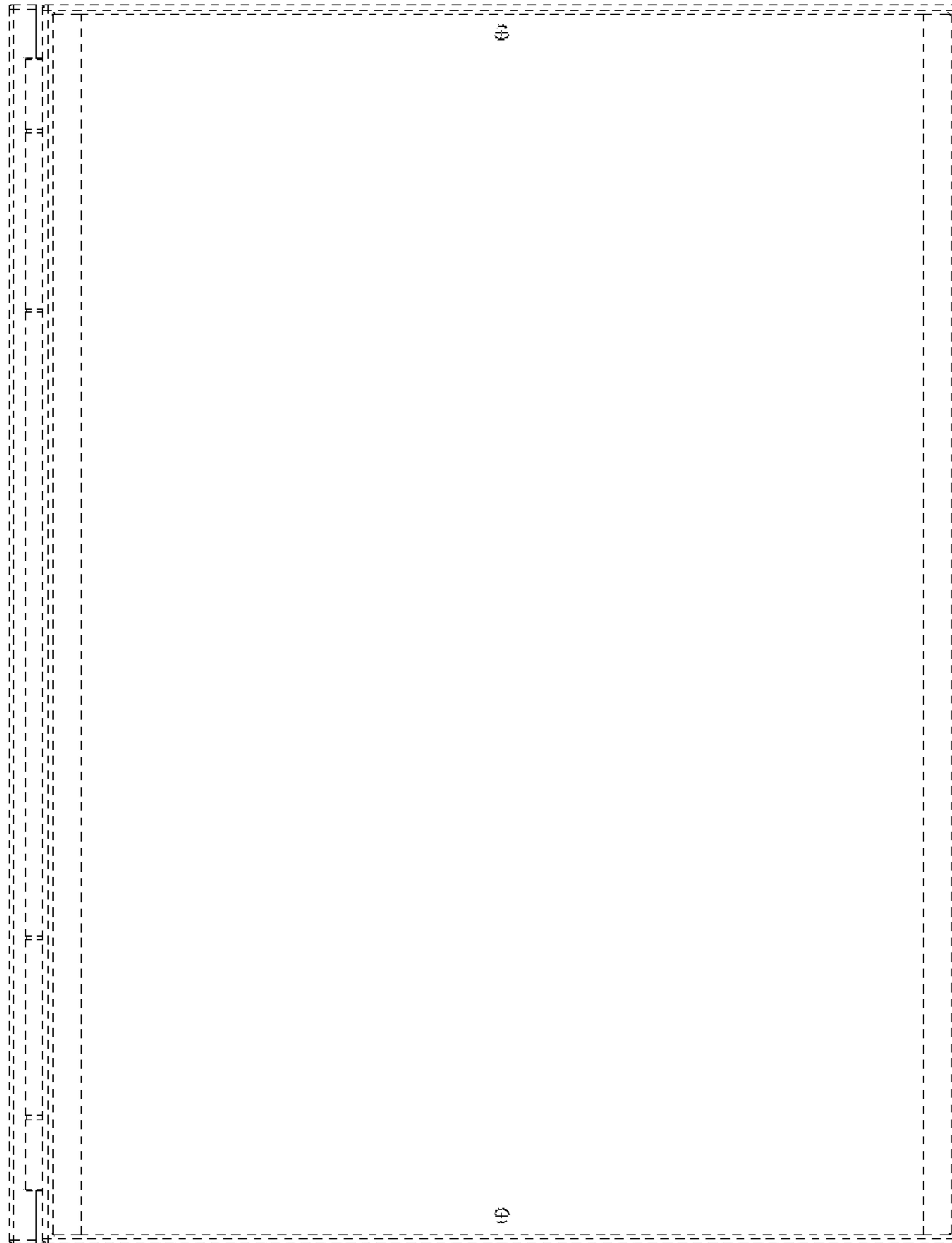


FIG. 11

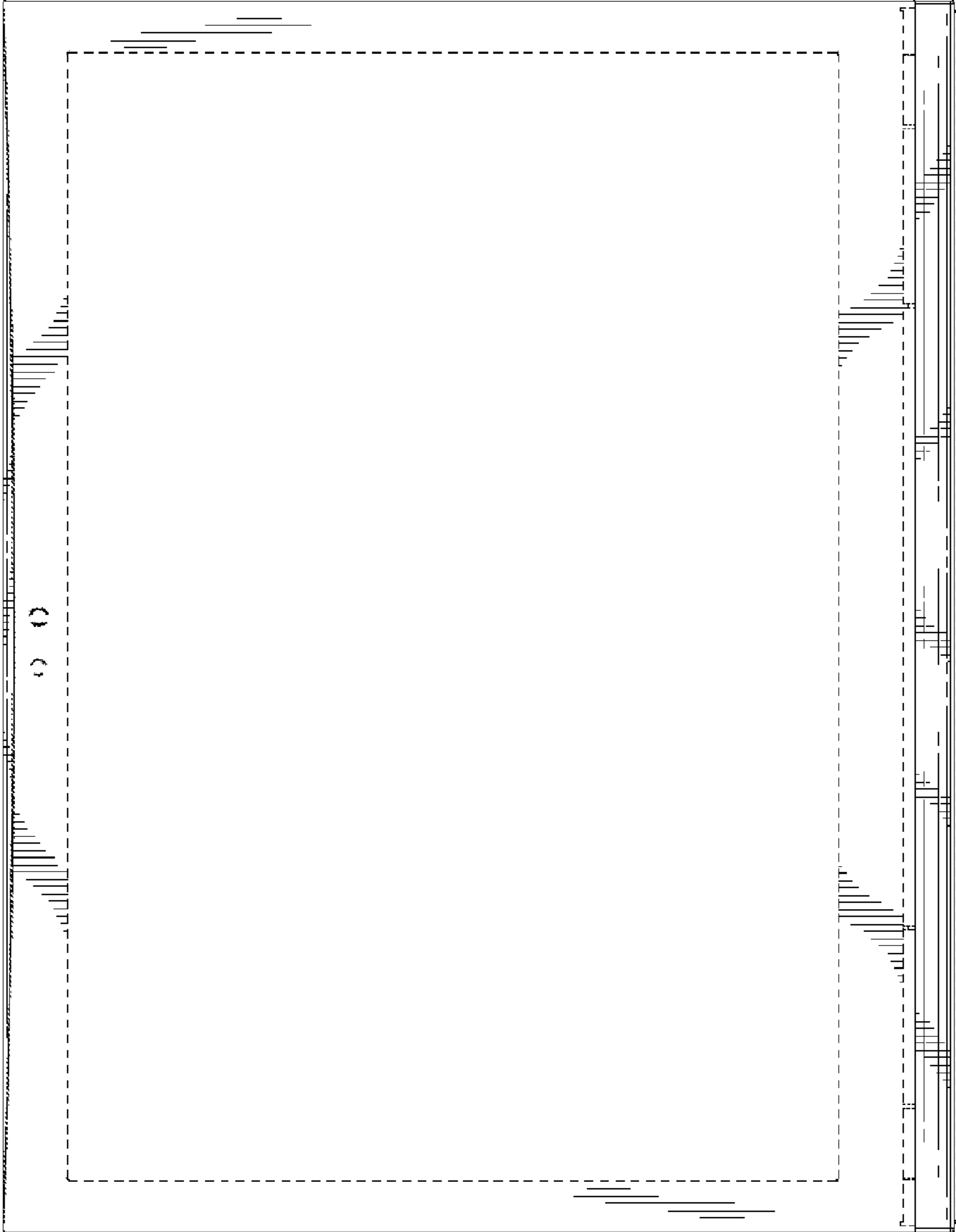


FIG. 12

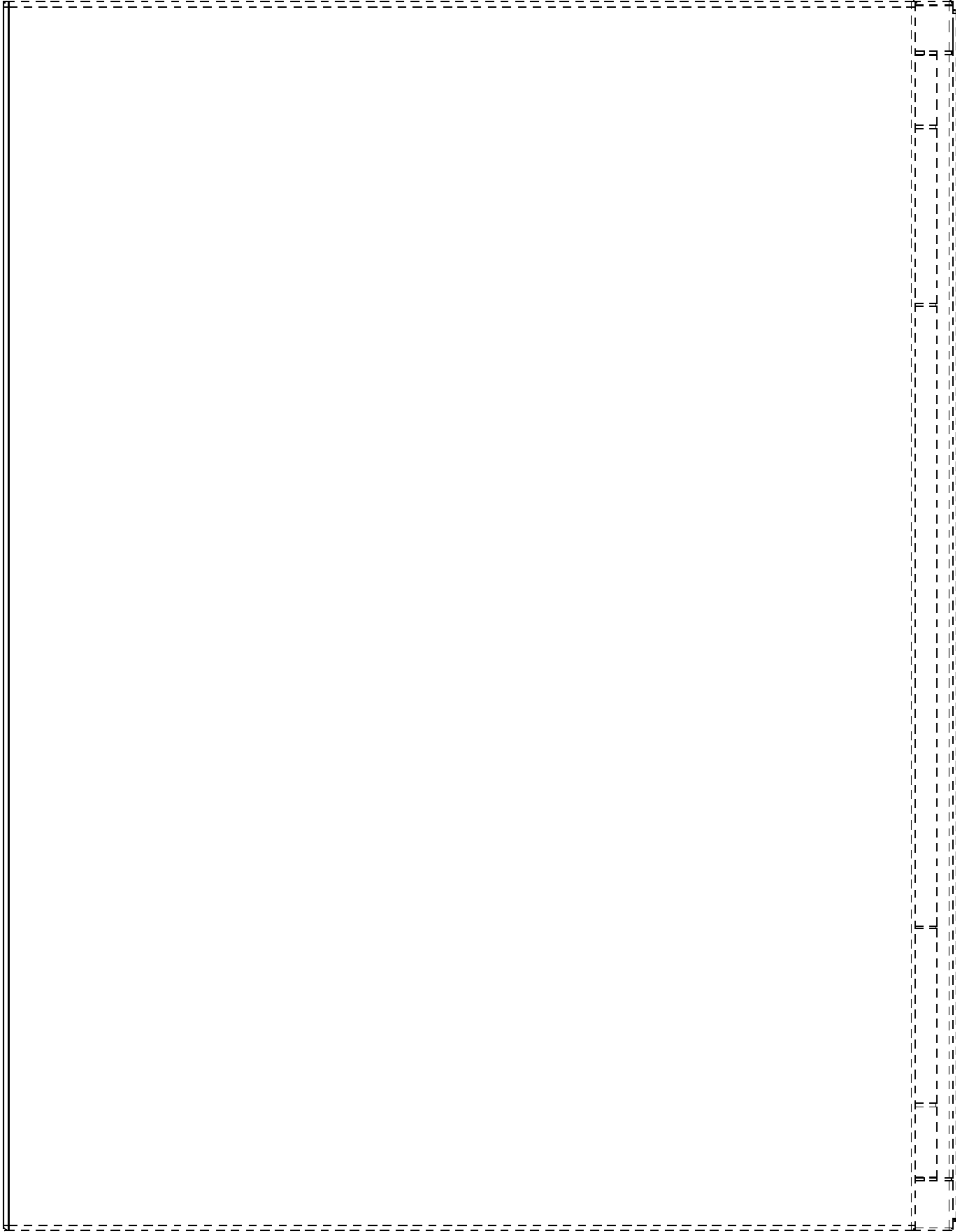


FIG. 13

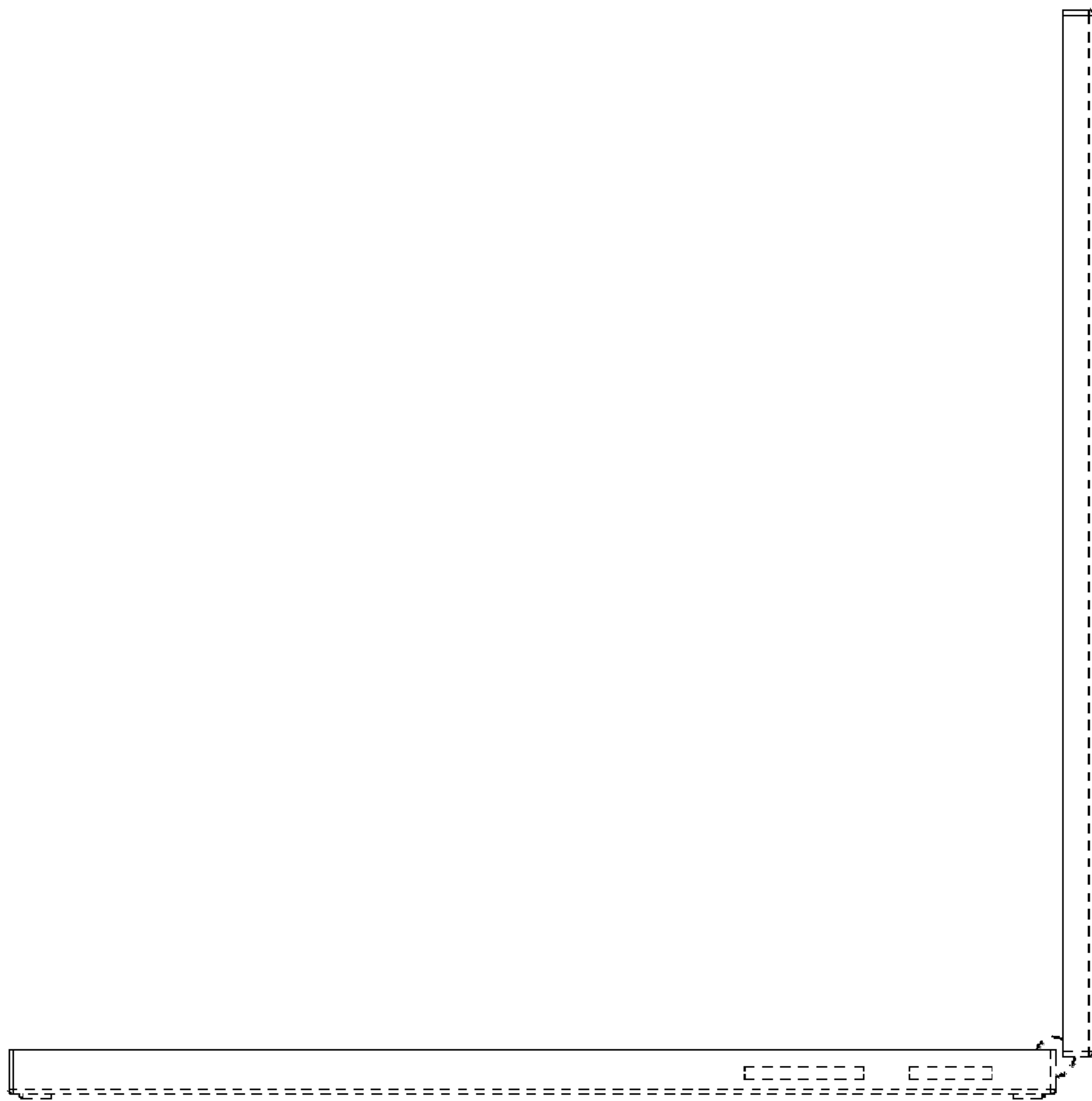
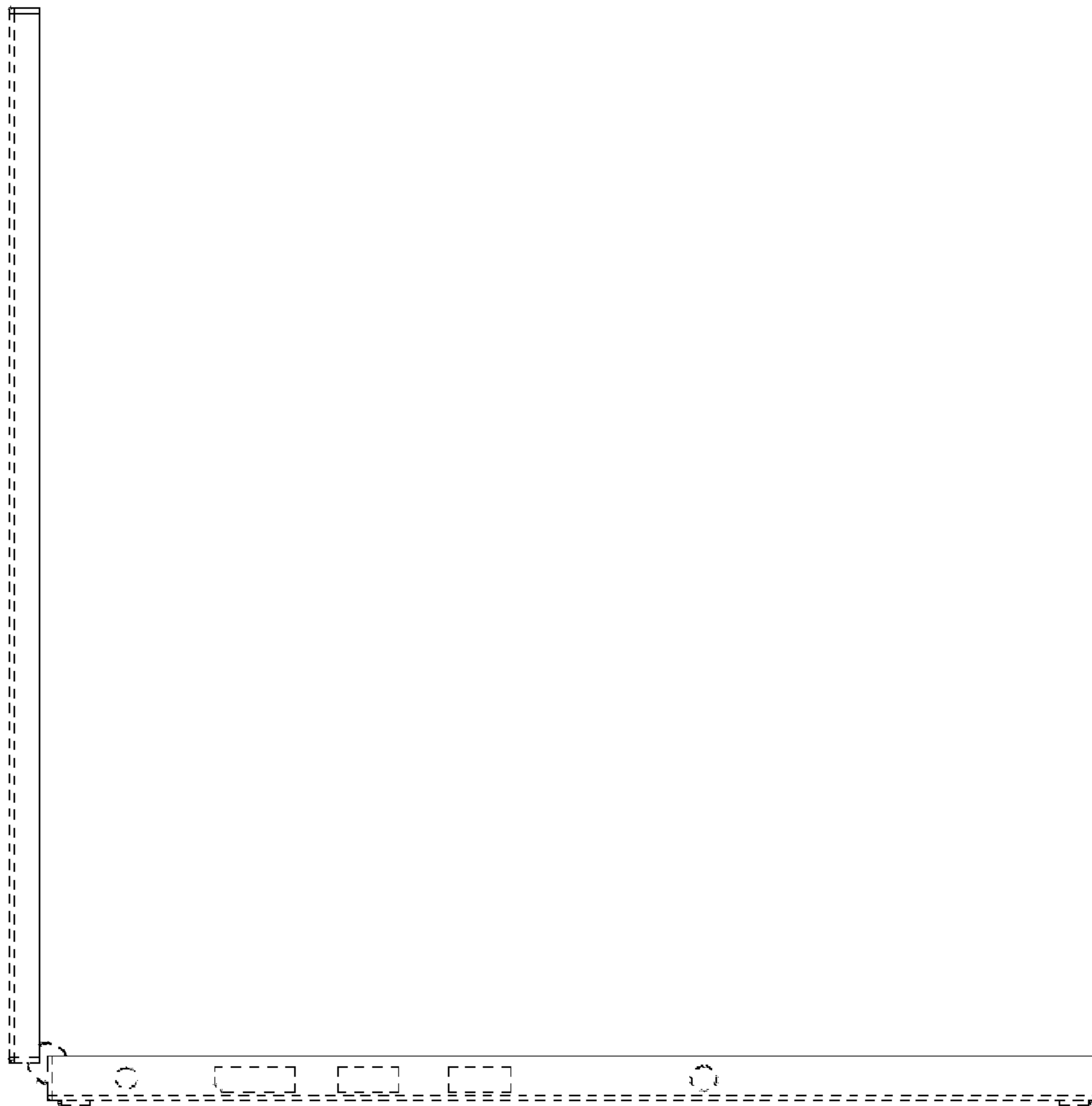


FIG. 14



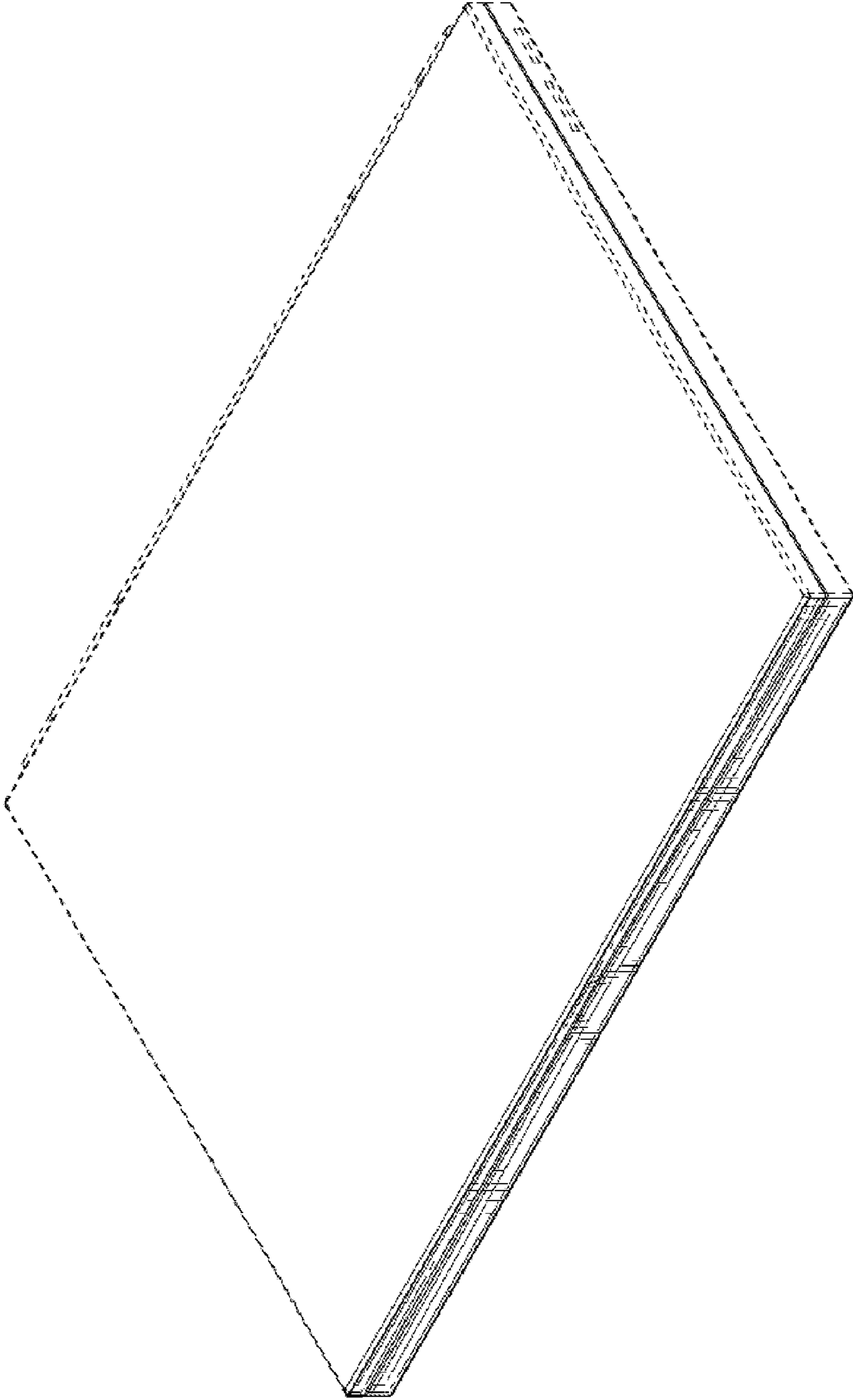


FIG. 15

FIG. 16

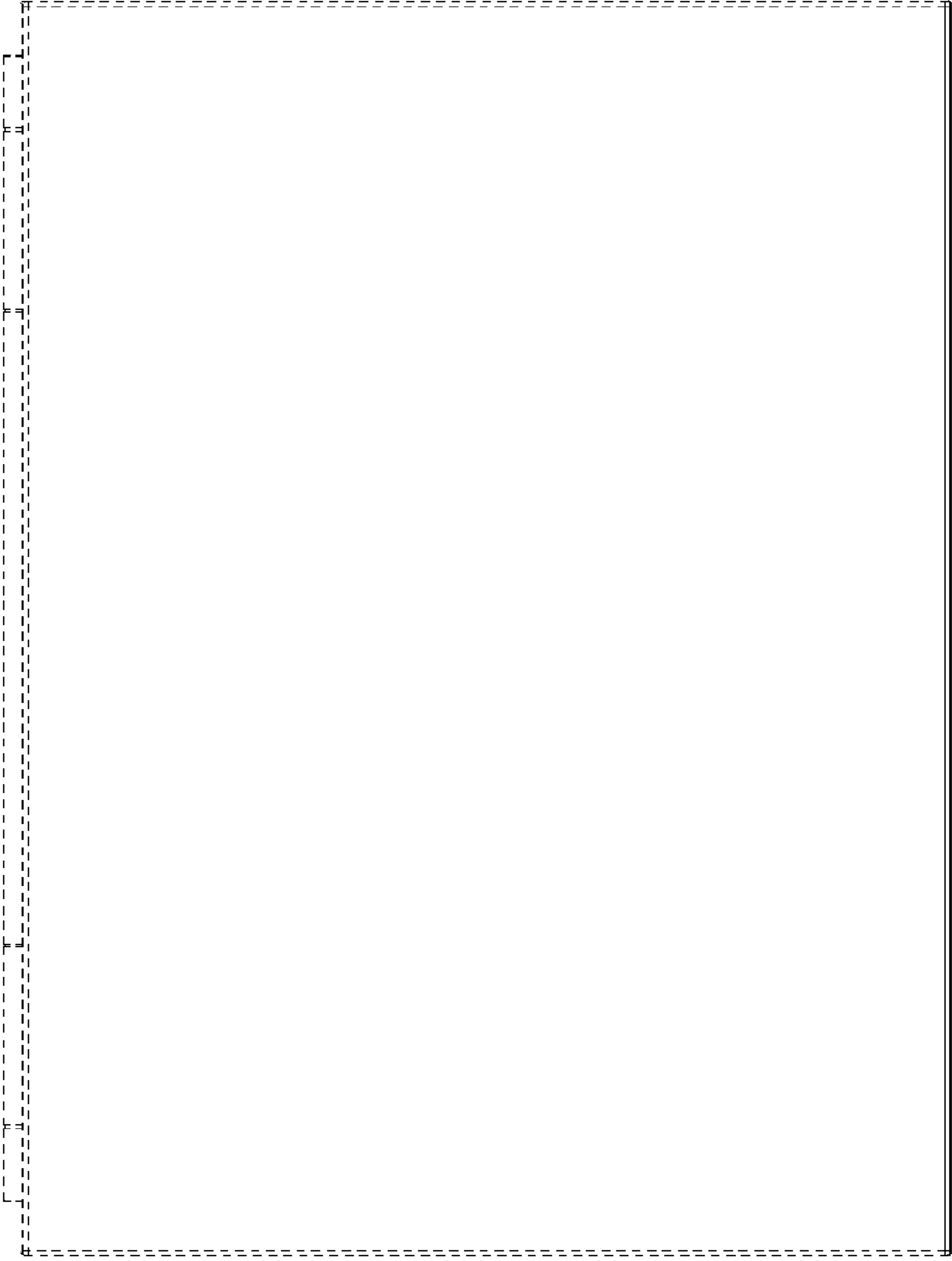


FIG. 17

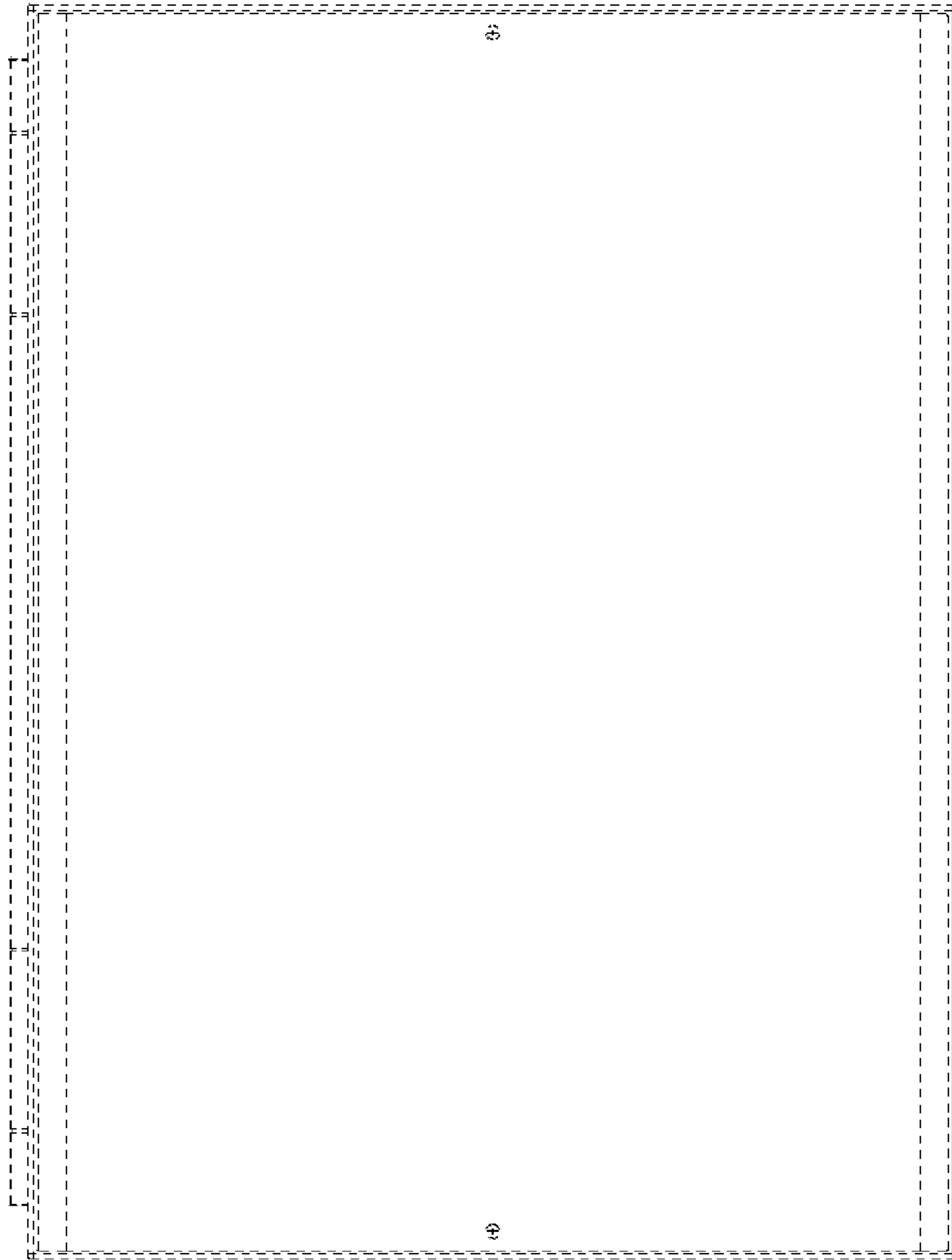


FIG. 18

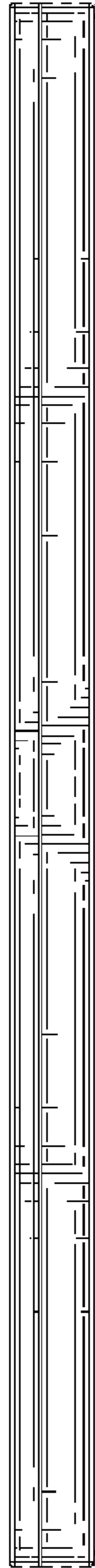


FIG. 19



FIG. 20

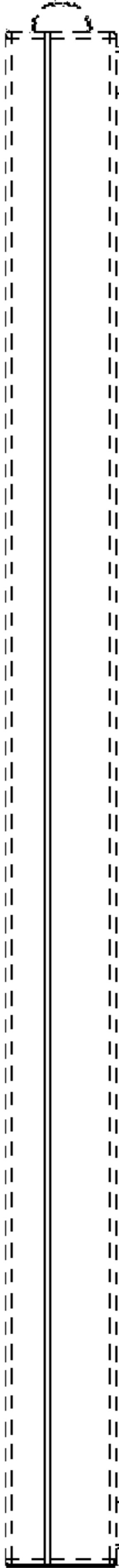
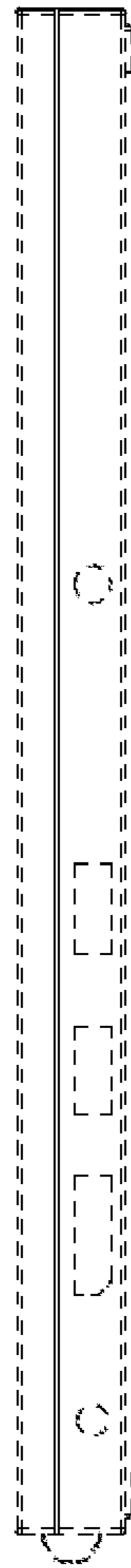


FIG. 21



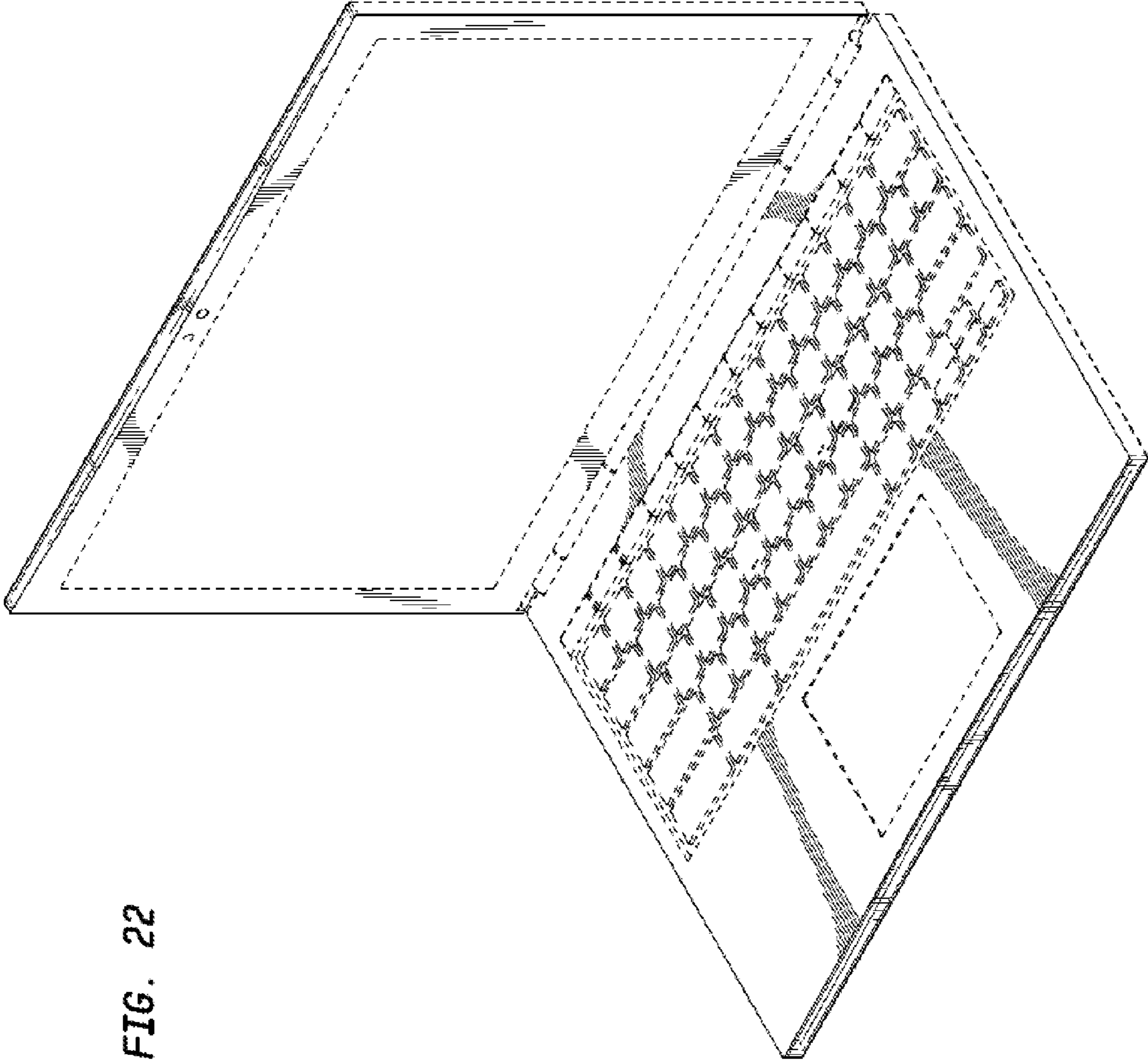


FIG. 22

FIG. 23

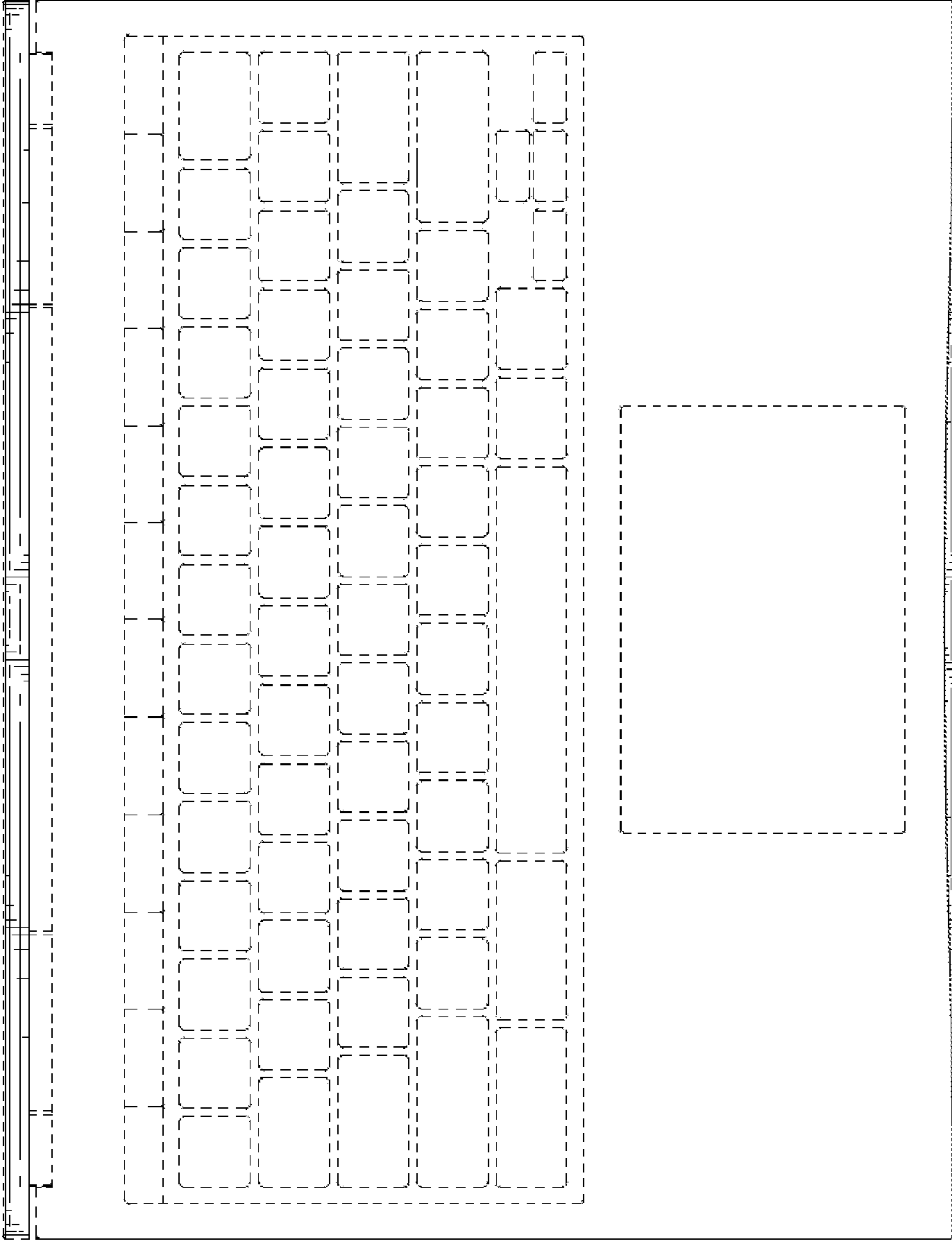


FIG. 24

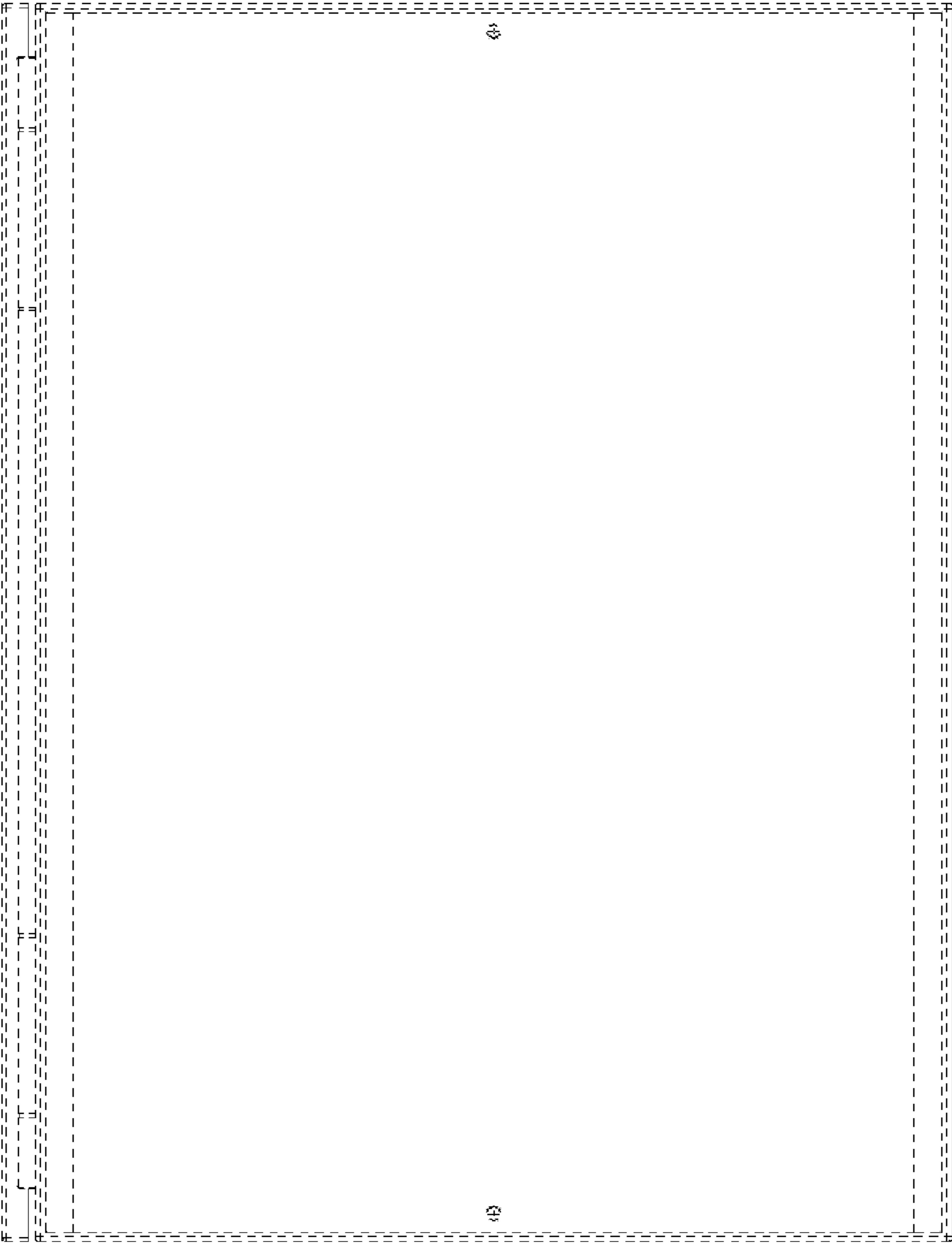


FIG. 25

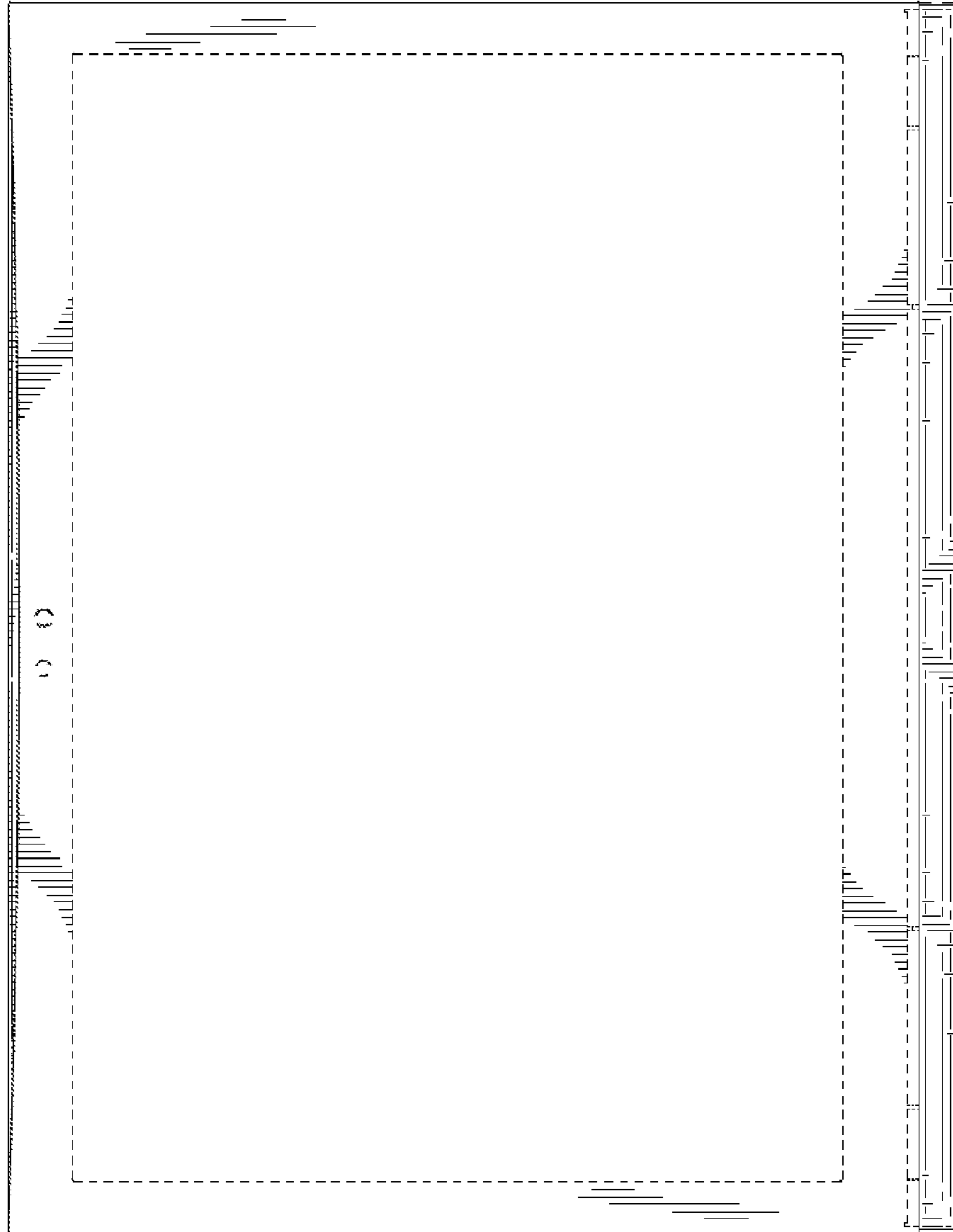


FIG. 26

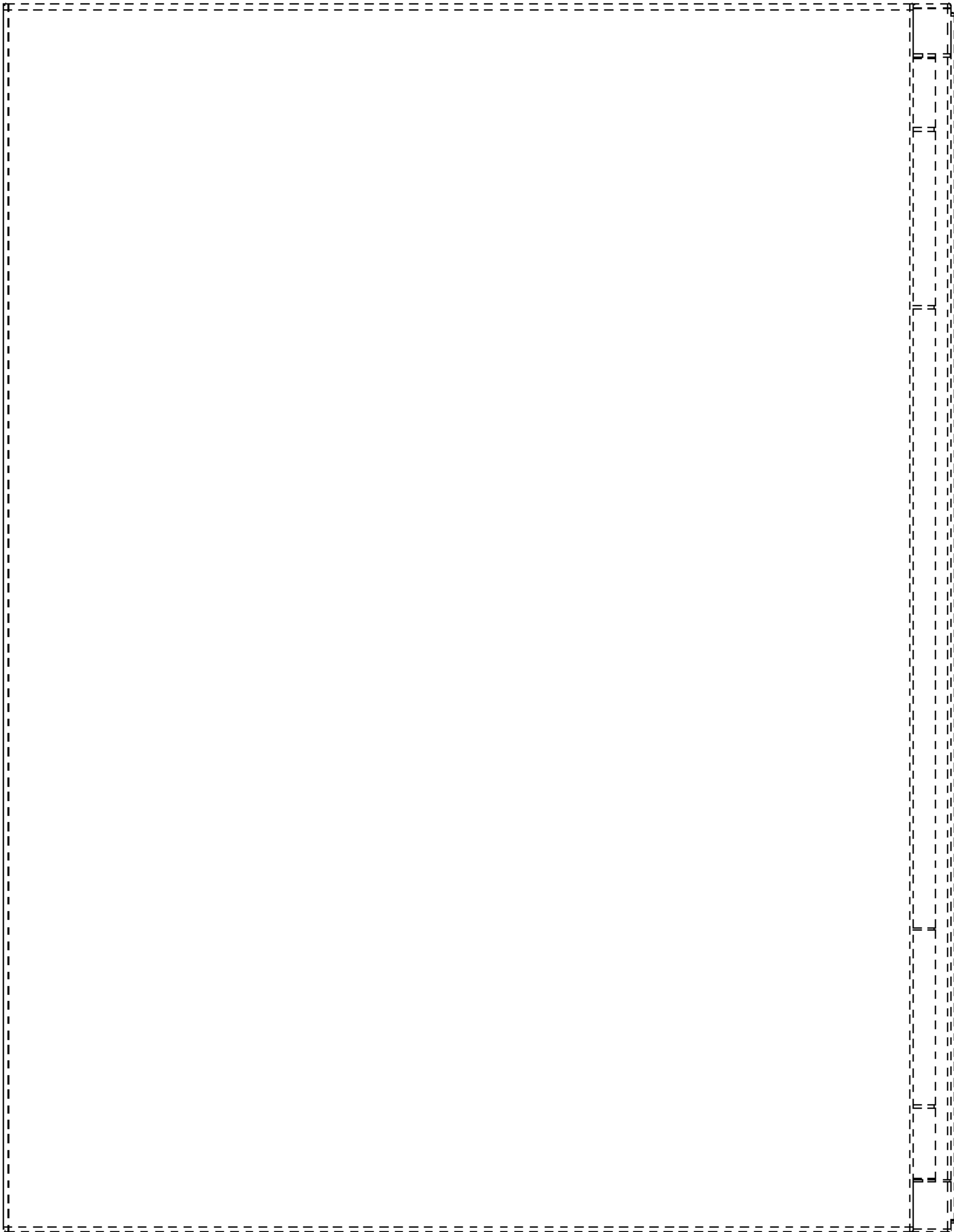


FIG. 27



FIG. 28

