



US00D684965S

(12) **United States Design Patent**
Lam et al.

(10) **Patent No.:** **US D684,965 S**
(45) **Date of Patent:** **** Jun. 25, 2013**

(54) **NOTEBOOK COMPUTER HOUSING**

(75) Inventors: **Lawrence Lam**, San Jose, CA (US);
Gad Amit, San Francisco, CA (US);
Jacqueline Belleau, San Francisco, CA
(US); **Yoshikazu Hoshino**, San
Francisco, CA (US); **Amy Han**, Palo
Alto, CA (US)

(73) Assignee: **Google Inc.**, Mountain View, CA (US)

(**) Term: **14 Years**

(21) Appl. No.: **29/408,687**

(22) Filed: **Dec. 15, 2011**

(51) **LOC (9) Cl.** **14-02**

(52) **U.S. Cl.**
USPC **D14/327**

(58) **Field of Classification Search**
USPC D14/315-327, 439; D18/1, 2, 7,
D18/11; 235/145 A, 145 R; 341/22, 23;
345/104, 156, 168, 169, 173; 361/679.08,
361/679.09, 679.11, 679.26, 679.27; 16/367
See application file for complete search history.

D589,507 S	3/2009	Andre et al.	
D593,086 S	5/2009	Behar et al.	
D598,441 S	8/2009	Latto et al.	
D601,138 S	9/2009	Solomon et al.	
D603,395 S	11/2009	Hong et al.	
D606,989 S	12/2009	Andre et al.	
D614,616 S	4/2010	Denhez et al.	
D627,341 S	11/2010	Yoon	
D630,221 S *	1/2011	Sogabe et al.	D14/439
D631,040 S	1/2011	Yoon et al.	
D631,472 S	1/2011	Kawase et al.	
D631,878 S	2/2011	Jensen et al.	
D631,879 S	2/2011	Kawase	
D633,488 S	3/2011	Kim et al.	
D635,575 S *	4/2011	Masui et al.	D14/439
D636,388 S	4/2011	Kawase	
D638,833 S	5/2011	Chuang	
D640,253 S	6/2011	Sung	
D641,748 S	7/2011	Kawase	
2002/0080576 A1 *	6/2002	Katagiri	361/686
2002/0089819 A1 *	7/2002	Misawa et al.	361/683
2002/0176224 A1 *	11/2002	Dhar et al.	361/683
2006/0146488 A1 *	7/2006	Kimmel	361/681
2006/0209503 A1 *	9/2006	Bovio et al.	361/681
2006/0282985 A1 *	12/2006	Lu et al.	16/367

* cited by examiner

Primary Examiner — Freda S Nunn

(74) *Attorney, Agent, or Firm* — Lerner, David, Littenberg,
Krumholz & Mentlik, LLP

(56) **References Cited**

U.S. PATENT DOCUMENTS

D319,819 S	9/1991	Kawaguchi	
D332,945 S	2/1993	Savio	
D342,501 S	12/1993	Saeki et al.	
5,566,048 A *	10/1996	Esterberg et al.	361/679.27
D416,238 S	11/1999	Irie et al.	
D430,155 S	8/2000	Cronk	
D461,470 S	8/2002	Kawa	
D463,797 S	10/2002	Andre et al.	
D464,344 S	10/2002	Jobs et al.	
D491,177 S	6/2004	Andre et al.	
D493,785 S	8/2004	Andre et al.	
D513,509 S	1/2006	Kawa	
D524,306 S	7/2006	Yun et al.	
D556,192 S	11/2007	Jeong et al.	
D558,752 S *	1/2008	Andre et al.	D14/315
D564,511 S *	3/2008	Akhtar	D14/318
D566,112 S	4/2008	Kawami et al.	
D583,373 S	12/2008	Chen	

(57) **CLAIM**

The ornamental design for a notebook computer housing, as shown and described.

DESCRIPTION

FIG. 1 is a top-rear perspective view of a notebook computer housing shown in a closed configuration according to a first embodiment of our design;
FIG. 2 is a top view thereof;
FIG. 3 is a bottom view thereof;
FIG. 4 is a front side view thereof;
FIG. 5 is a back side view thereof;
FIG. 6 is a right side view thereof;
FIG. 7 is a left side view thereof;
FIG. 8 is a top-front perspective view thereof in an open configuration;

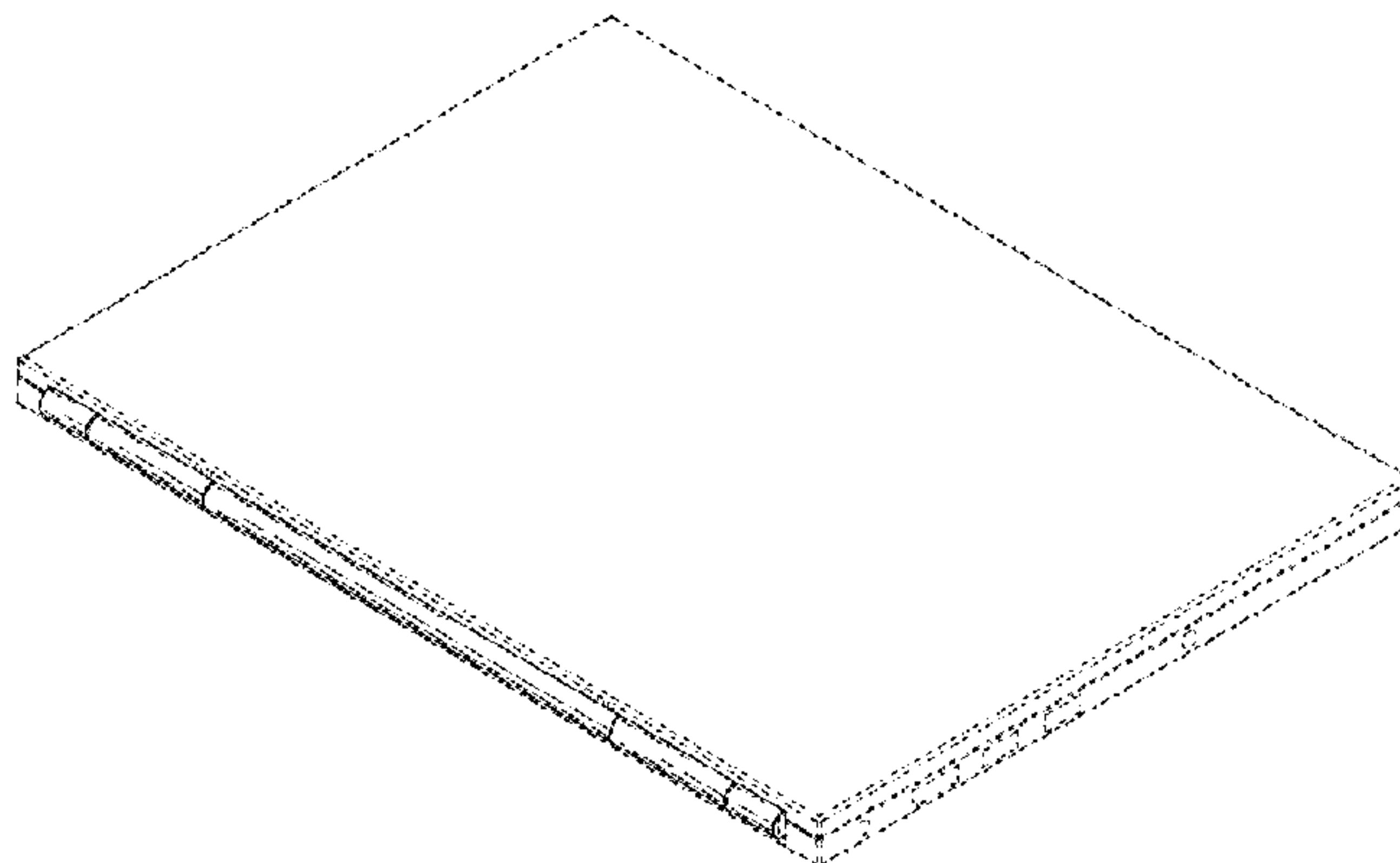


FIG. 9 is a top view thereof;
FIG. 10 is a bottom view thereof;
FIG. 11 is a front side view thereof;
FIG. 12 is a back side view thereof;
FIG. 13 is a right side view thereof;
FIG. 14 is a left side view thereof;
FIG. 15 is a top-rear perspective view of a notebook computer housing shown in a closed configuration according to a second embodiment of our design;
FIG. 16 is a top view thereof;
FIG. 17 is a bottom view thereof;
FIG. 18 is a front side view thereof;
FIG. 19 is a back side view thereof;
FIG. 20 is a right side view thereof;
FIG. 21 is a left side view thereof;
FIG. 22 is a top-front perspective view thereof in an open configuration;
FIG. 23 is a top view thereof;
FIG. 24 is a bottom view thereof;
FIG. 25 is a front side view thereof;
FIG. 26 is a back side view thereof;
FIG. 27 is a right side view thereof;
FIG. 28 is a left side view thereof;
FIG. 29 is a top-rear perspective view of a notebook computer housing shown in a closed configuration according to a third embodiment of our design;

FIG. 30 is a top view thereof;
FIG. 31 is a bottom view thereof;
FIG. 32 is a front side view thereof;
FIG. 33 is a back side view thereof;
FIG. 34 is a right side view thereof;
FIG. 35 is a left side view thereof;
FIG. 36 is a top-front perspective view thereof in an open configuration;
FIG. 37 is a top view thereof;
FIG. 38 is a bottom view thereof;
FIG. 39 is a front side view thereof;
FIG. 40 is a back side view thereof;
FIG. 41 is a right side view thereof; and,
FIG. 42 is a left side view thereof.

Broken lines are environmental only and form no part of the claimed design.

The pairs of closely adjacent, spaced jagged broken lines in the drawings form no part of the claimed design and the portions between such pairs of jagged broken lines are broken away to disclose indeterminate length. Portions of the design that may be visible between the jagged lines have been removed for clarity.

1 Claim, 42 Drawing Sheets

FIG. 1

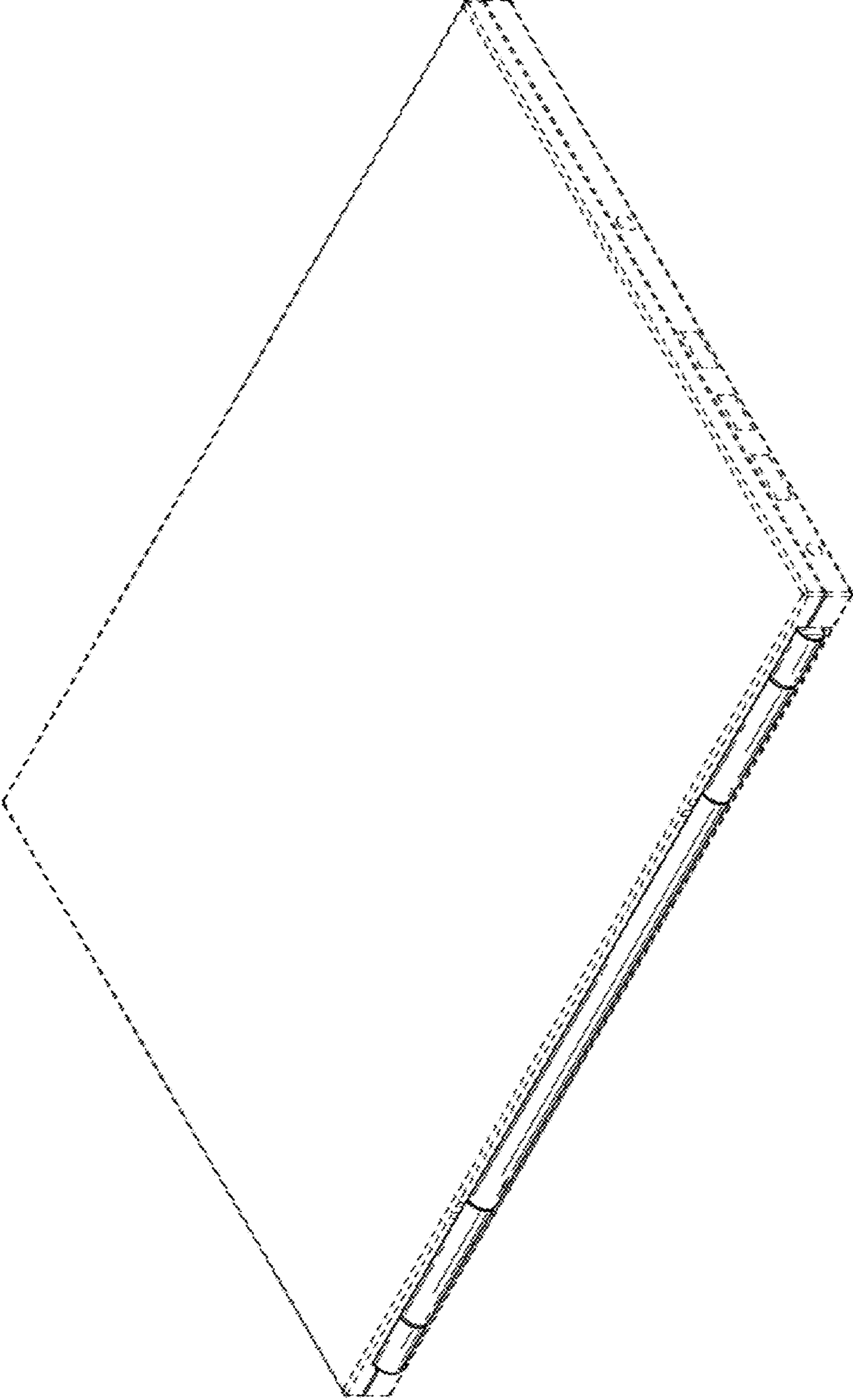


FIG. 2

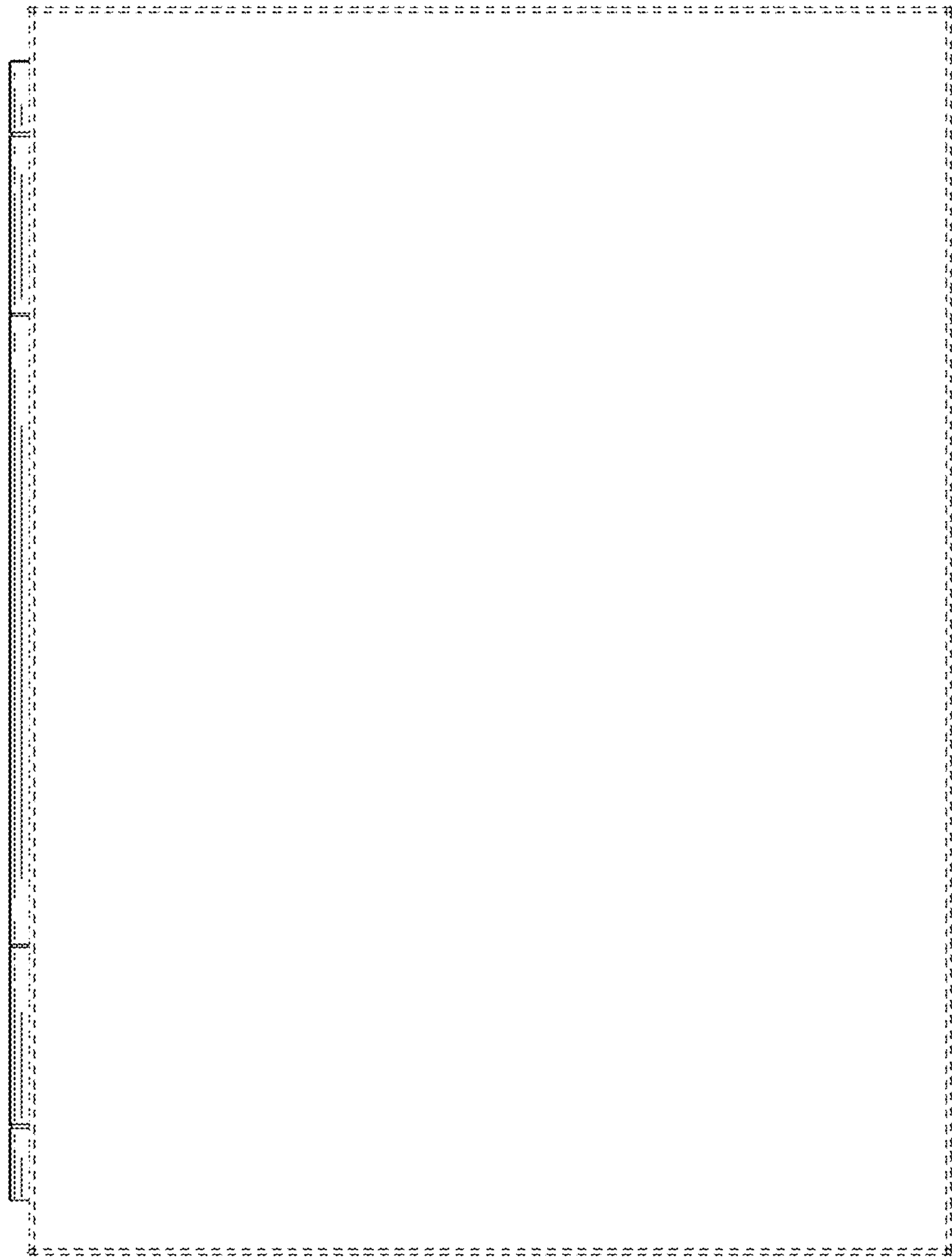


FIG. 3

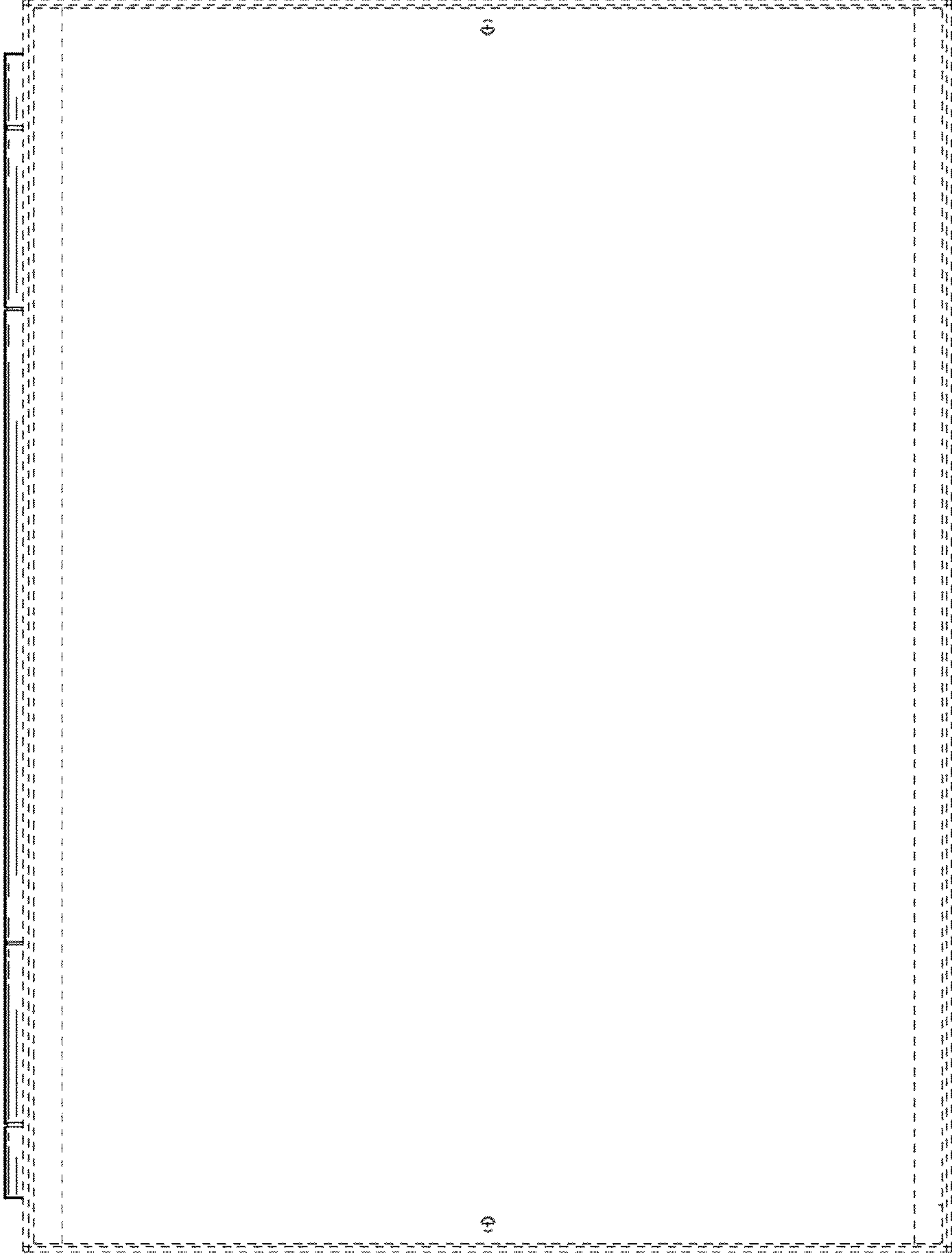


FIG. 4

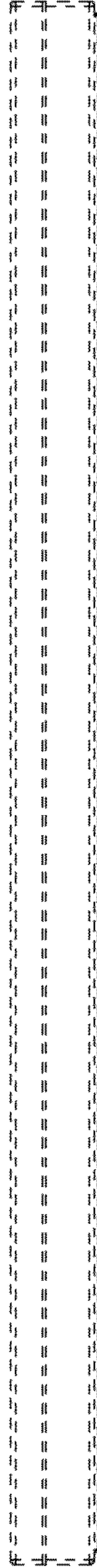


FIG. 5



FIG. 6

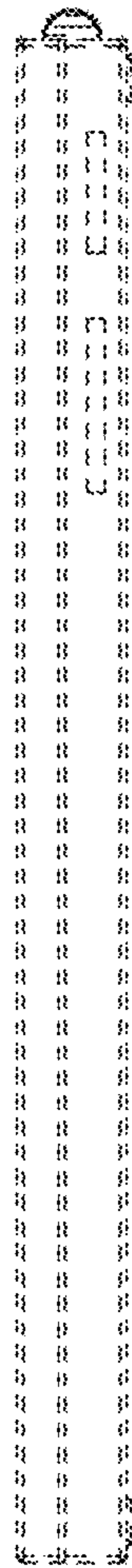
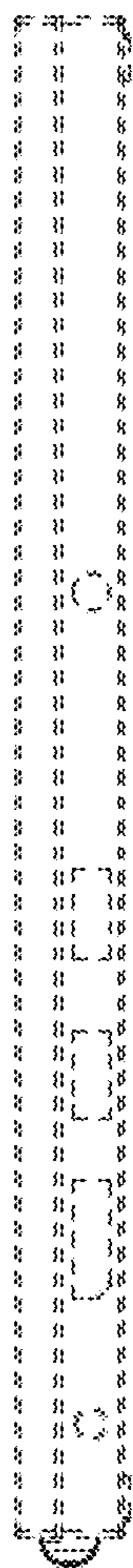


FIG. 7



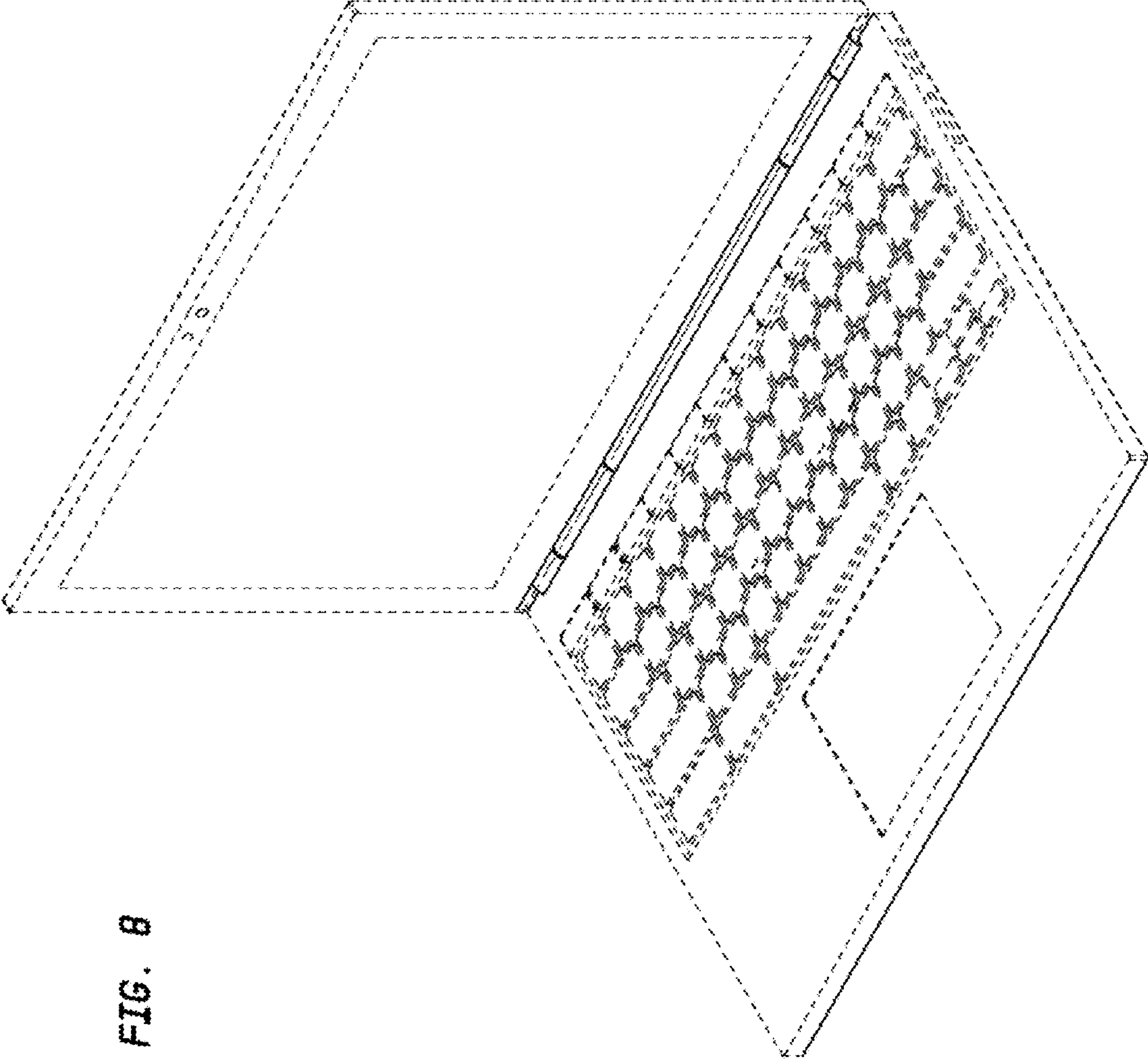


FIG. 8

FIG. 9

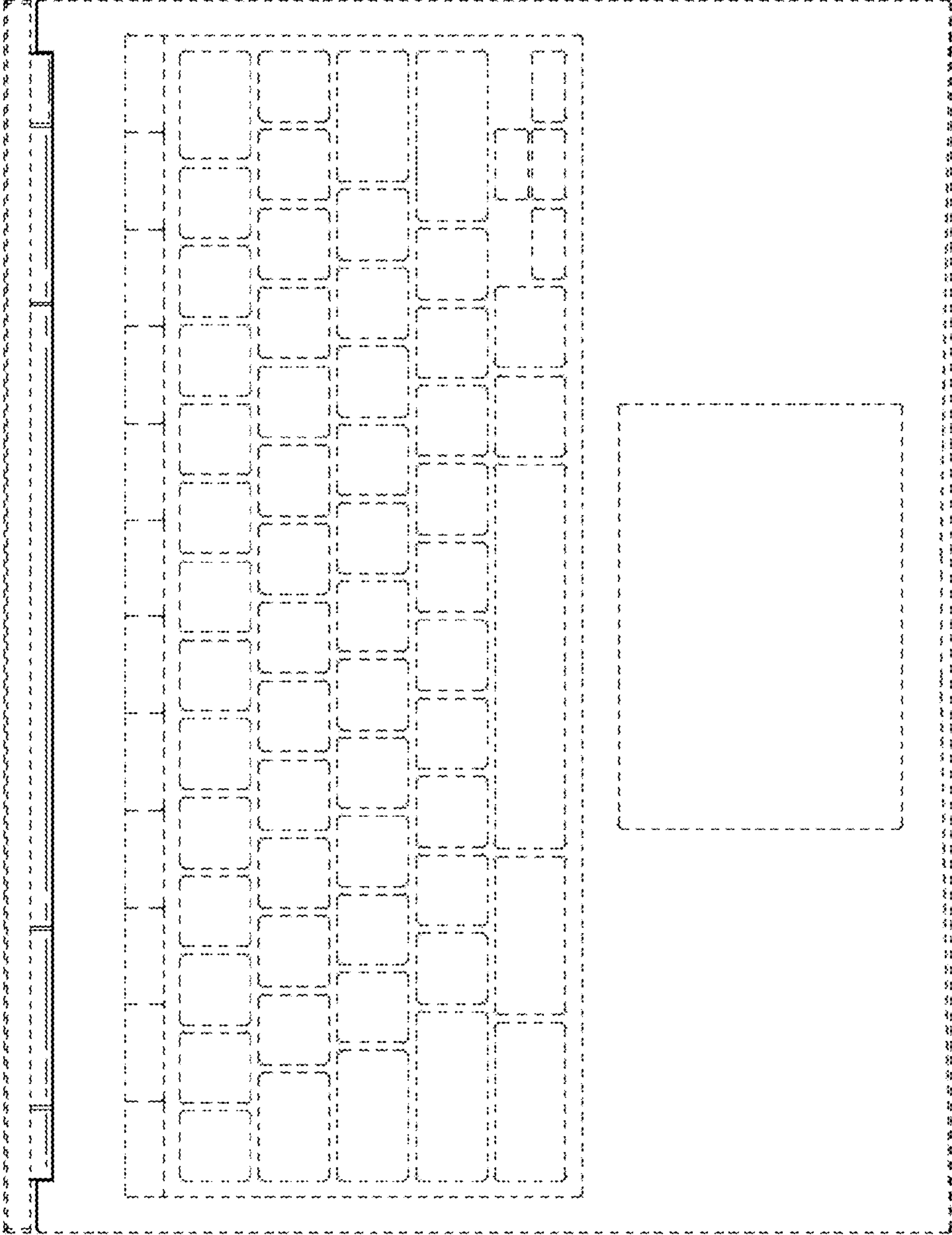


FIG. 10

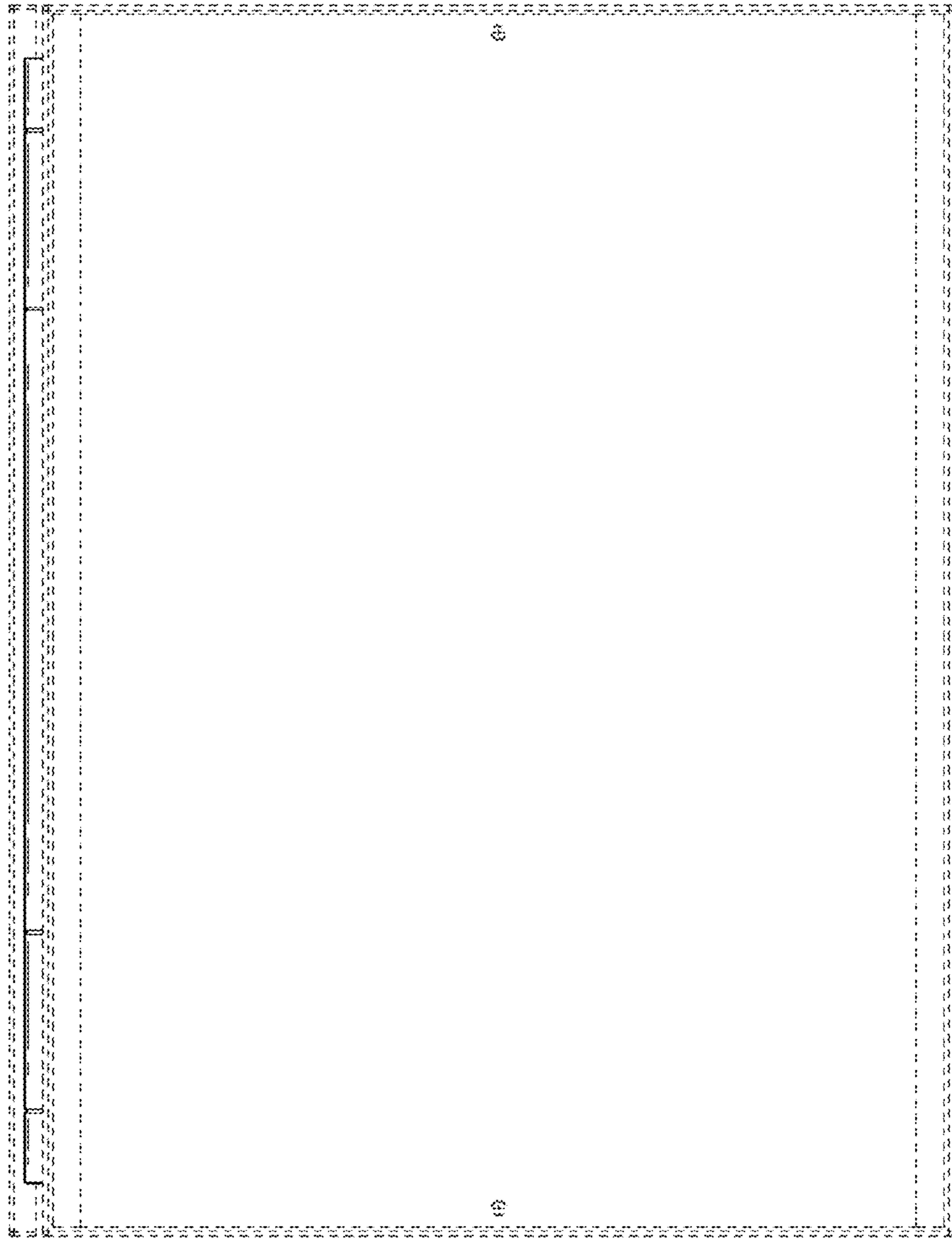


FIG. 11

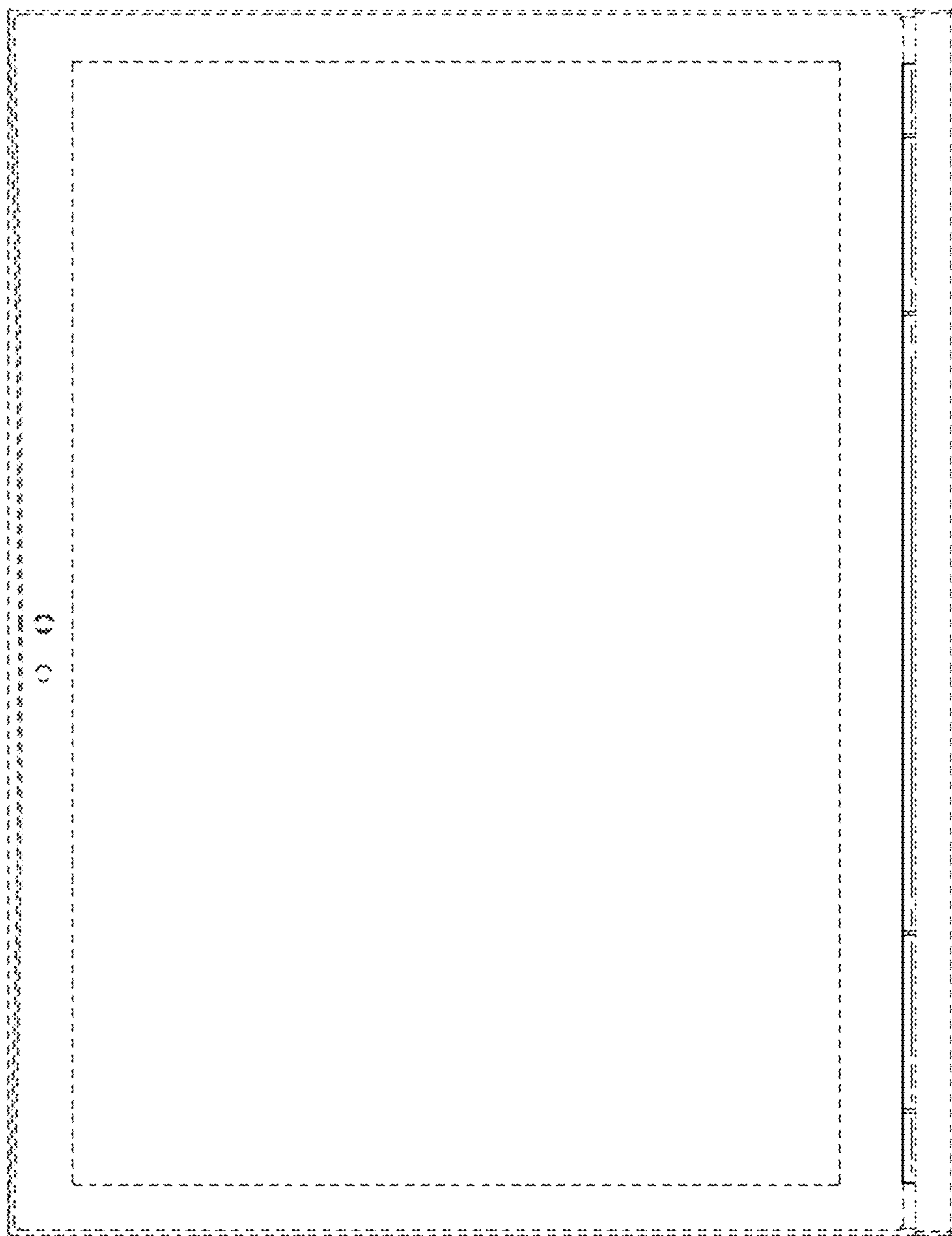


FIG. 12

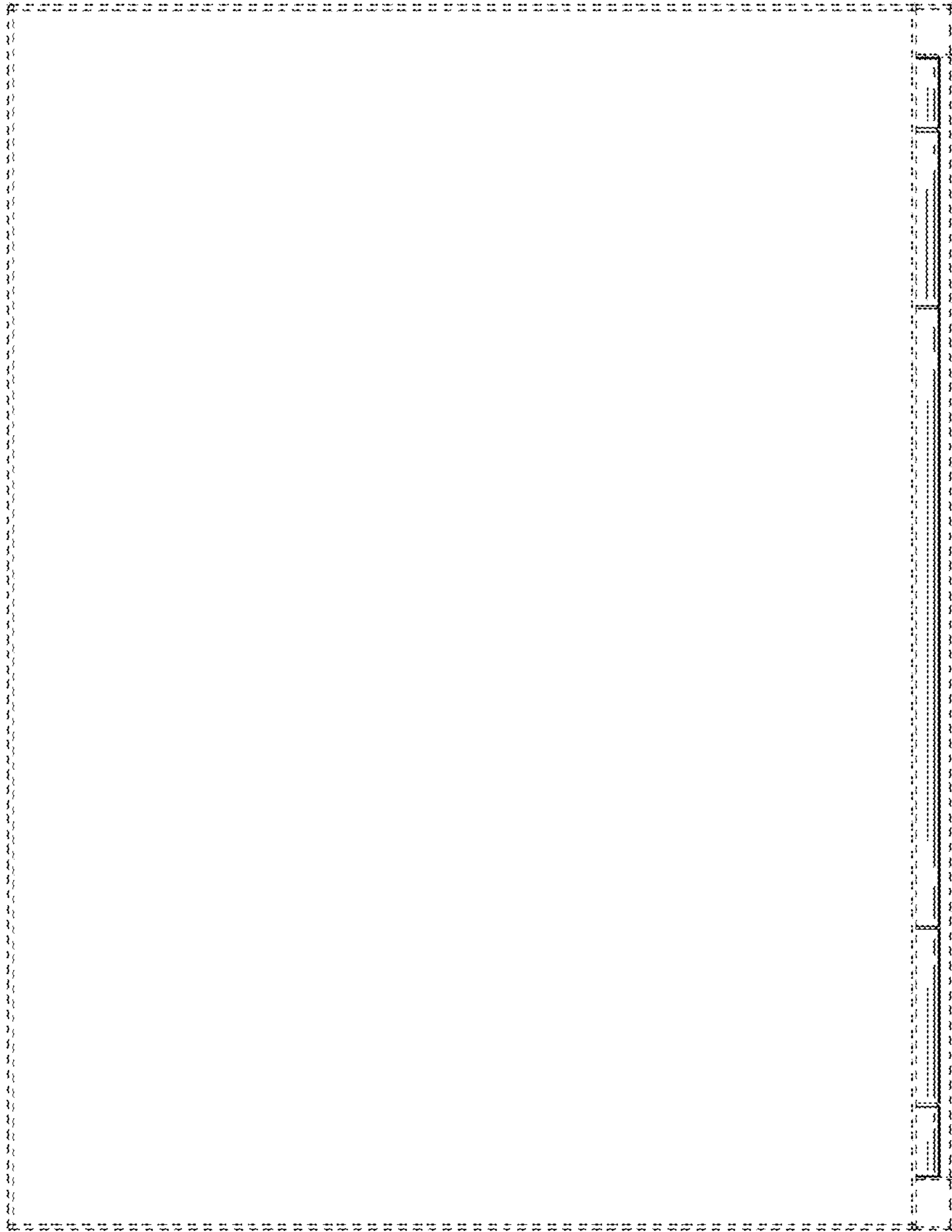


FIG. 13

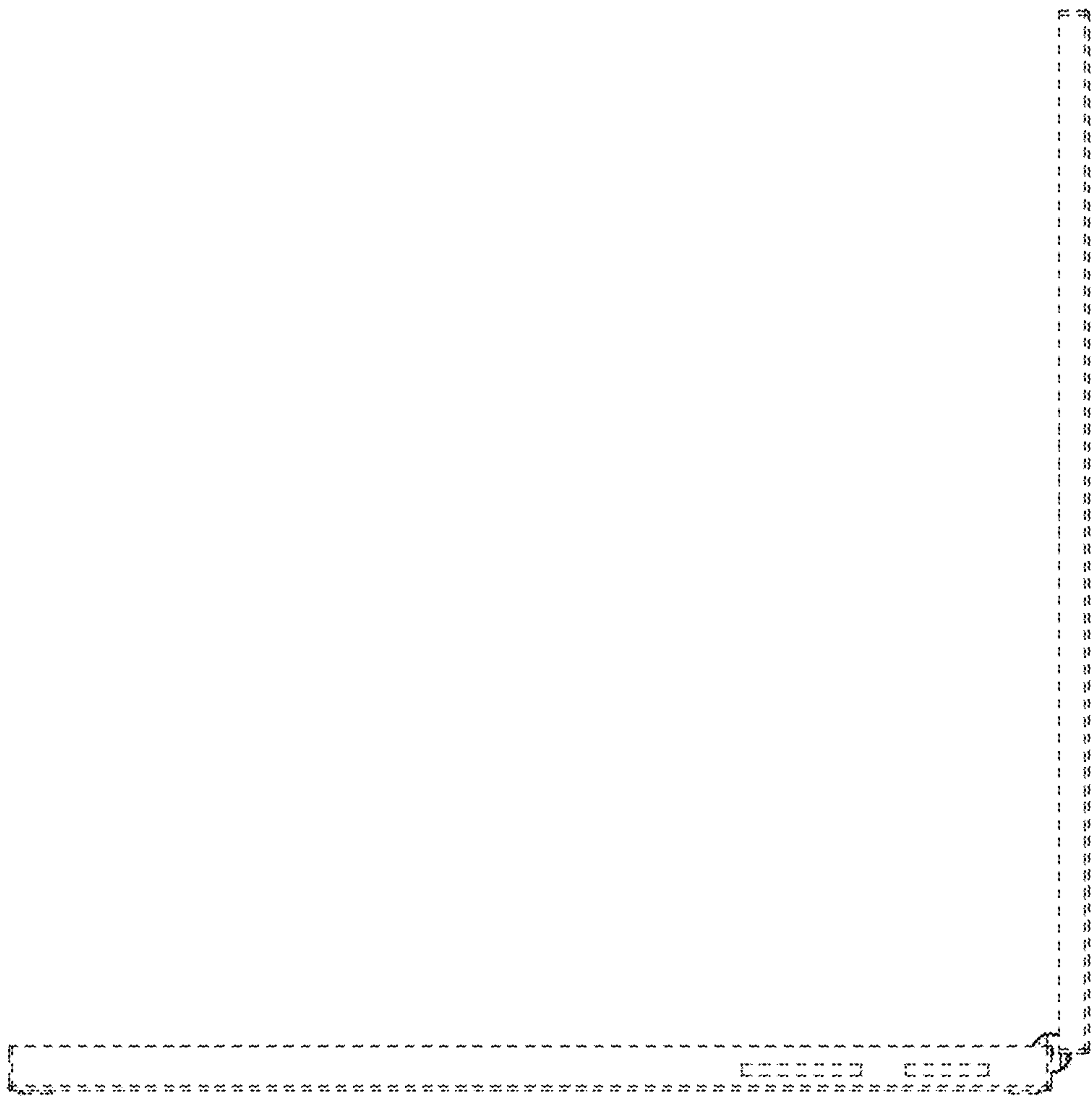


FIG. 14

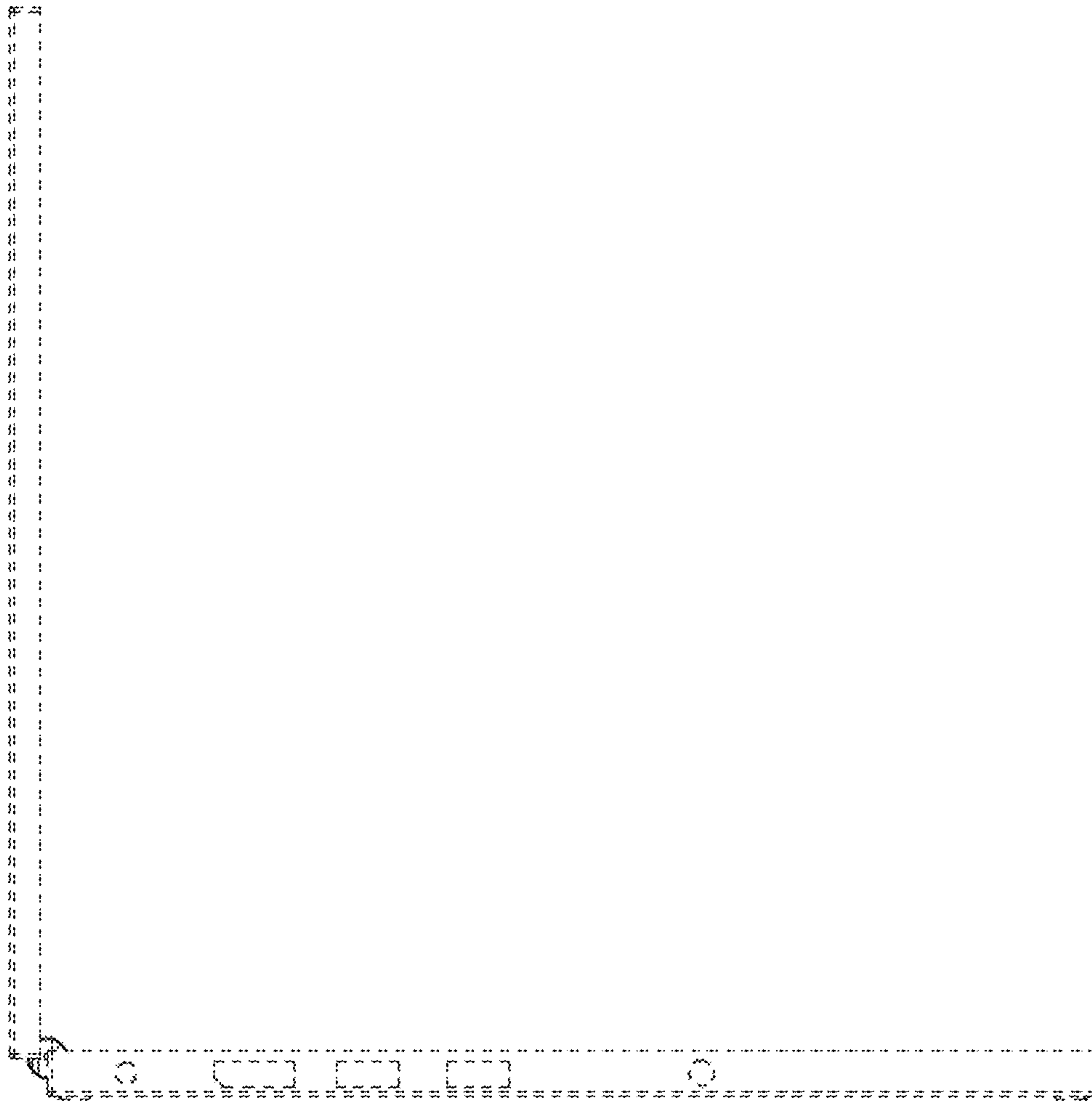


FIG. 15

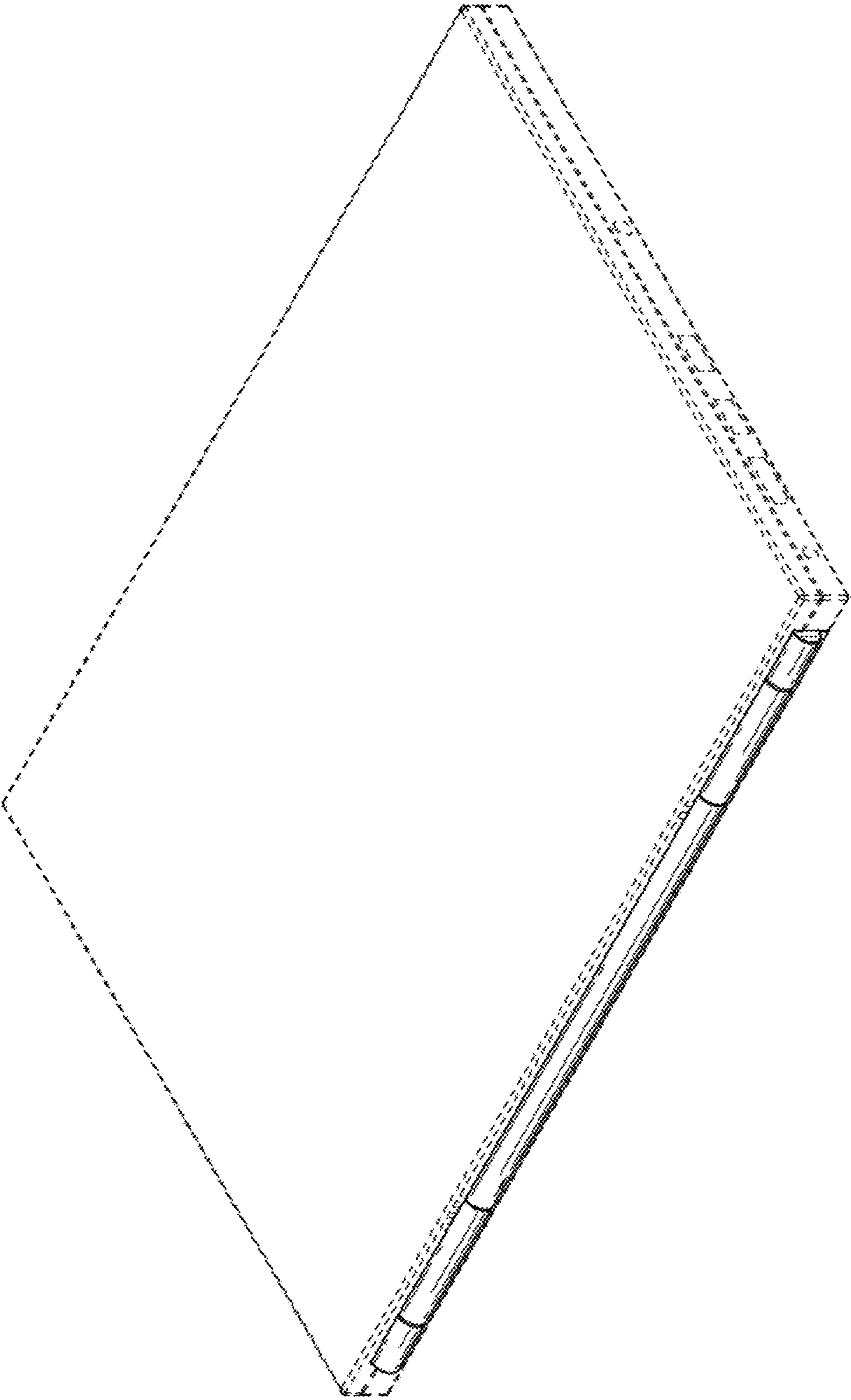


FIG. 16

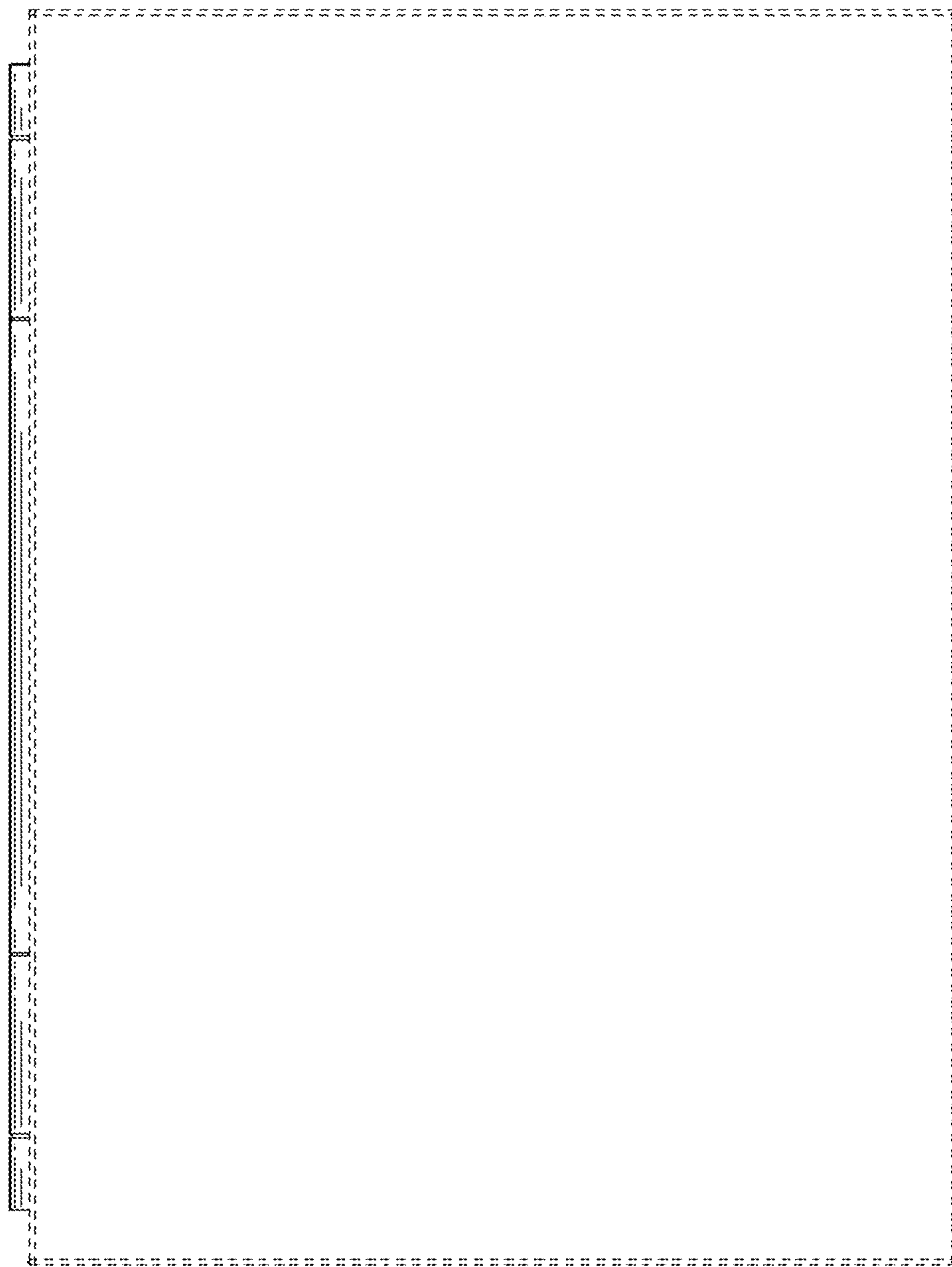


FIG. 17

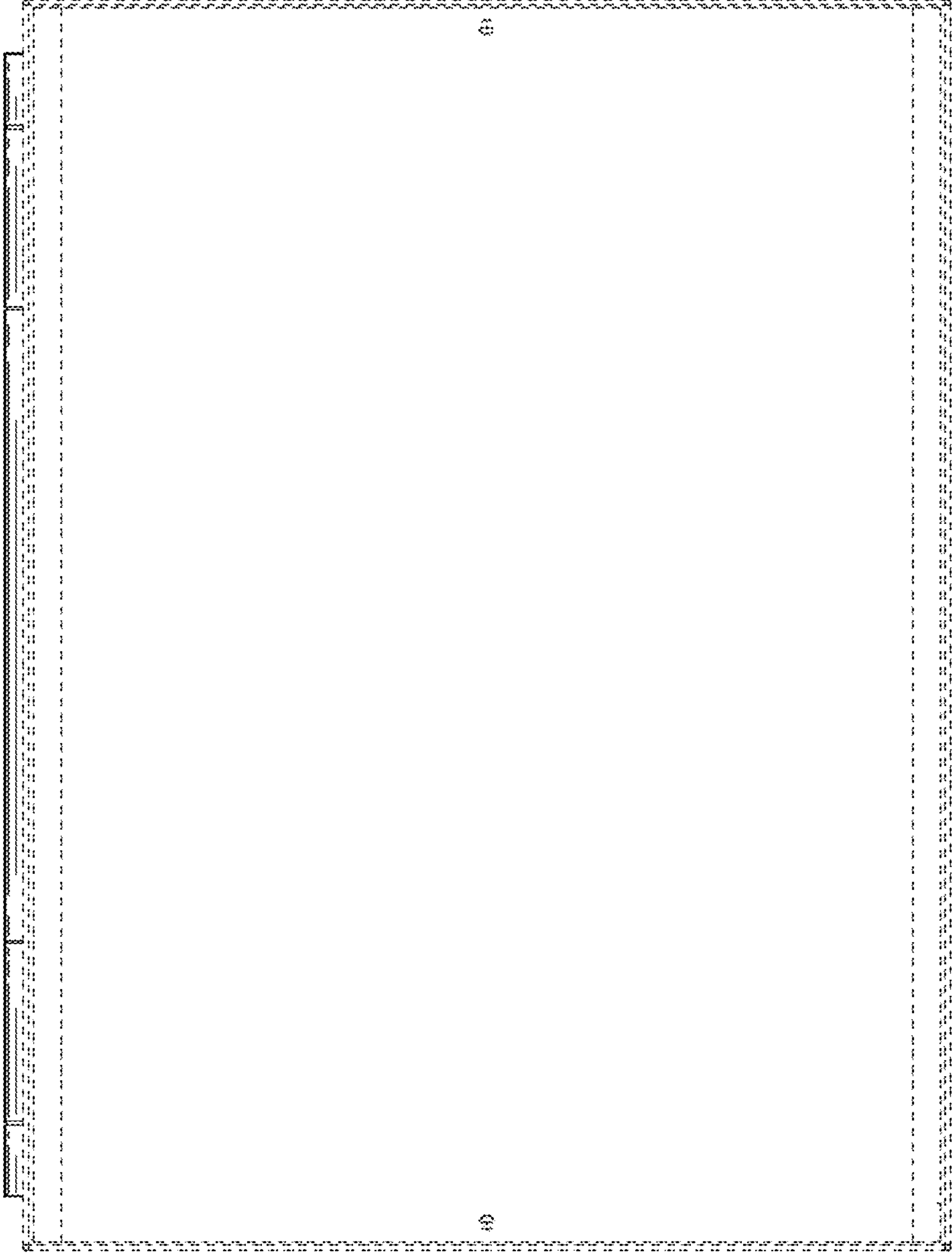


FIG. 18

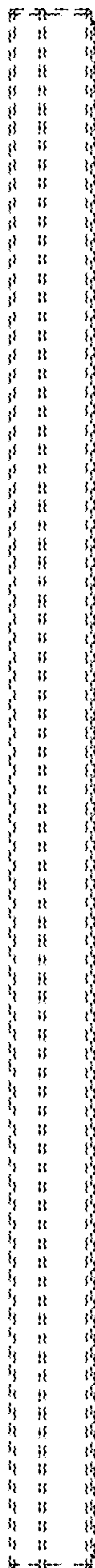


FIG. 19

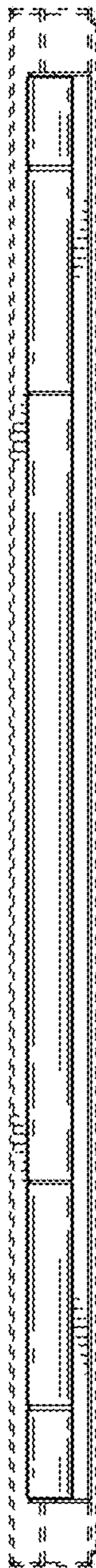


FIG. 20

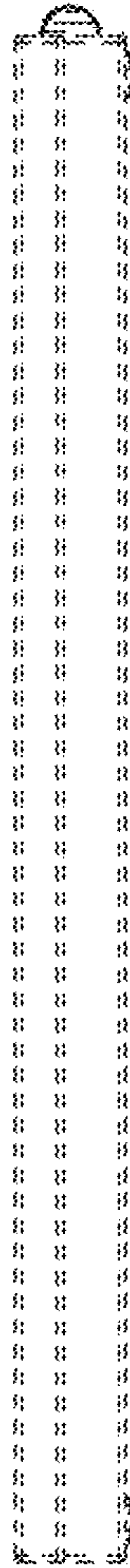


FIG. 21



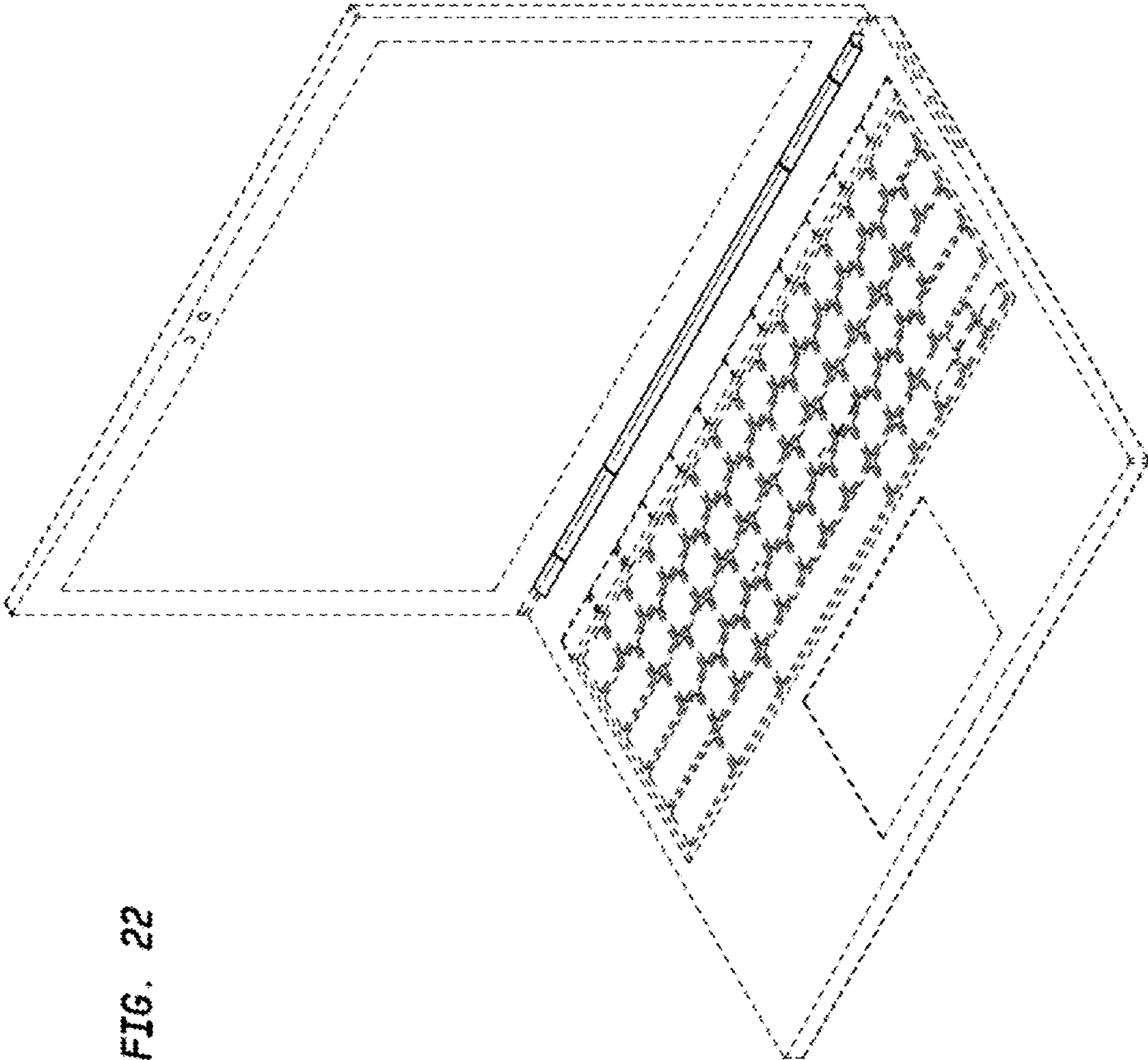


FIG. 22

FIG. 23

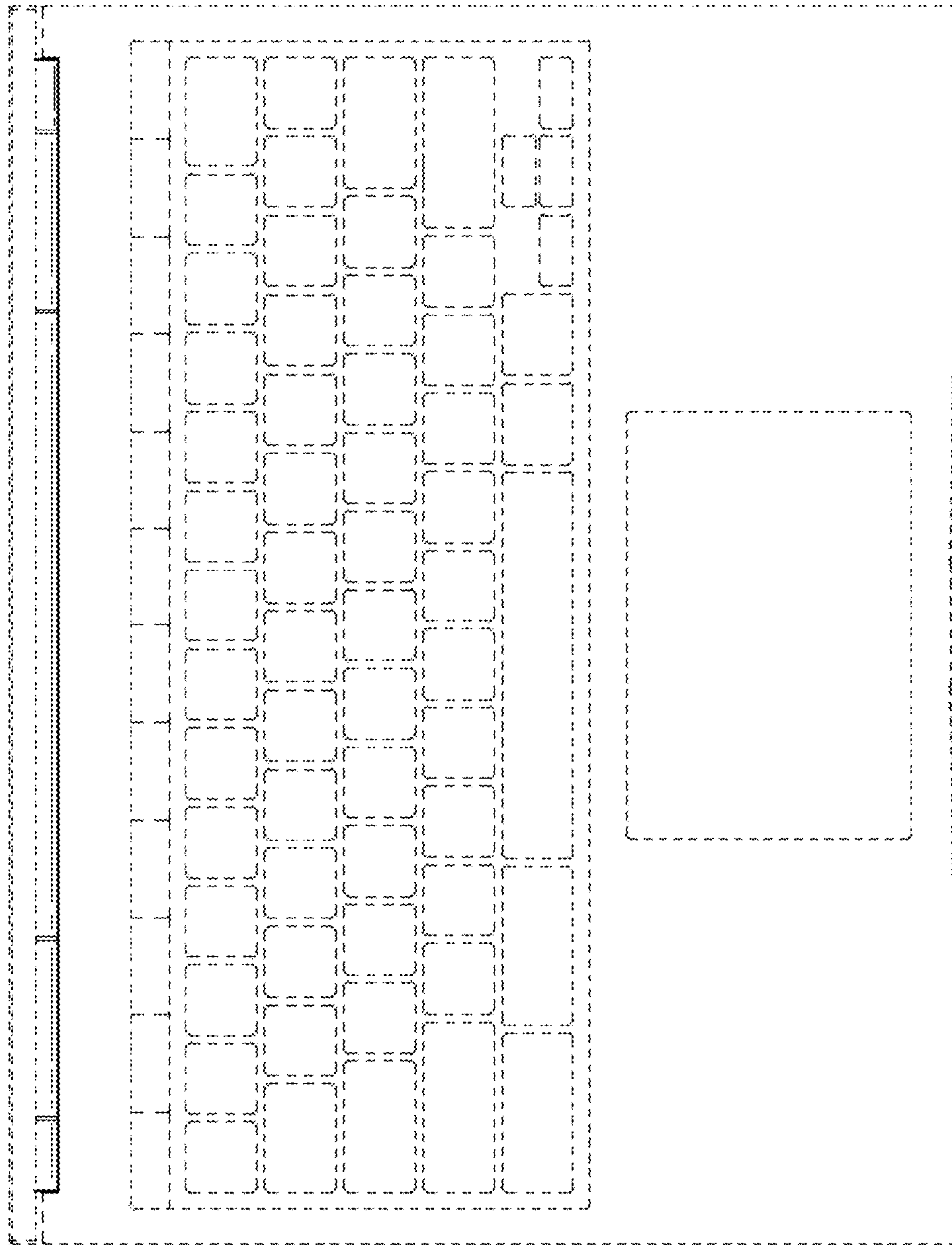


FIG. 24

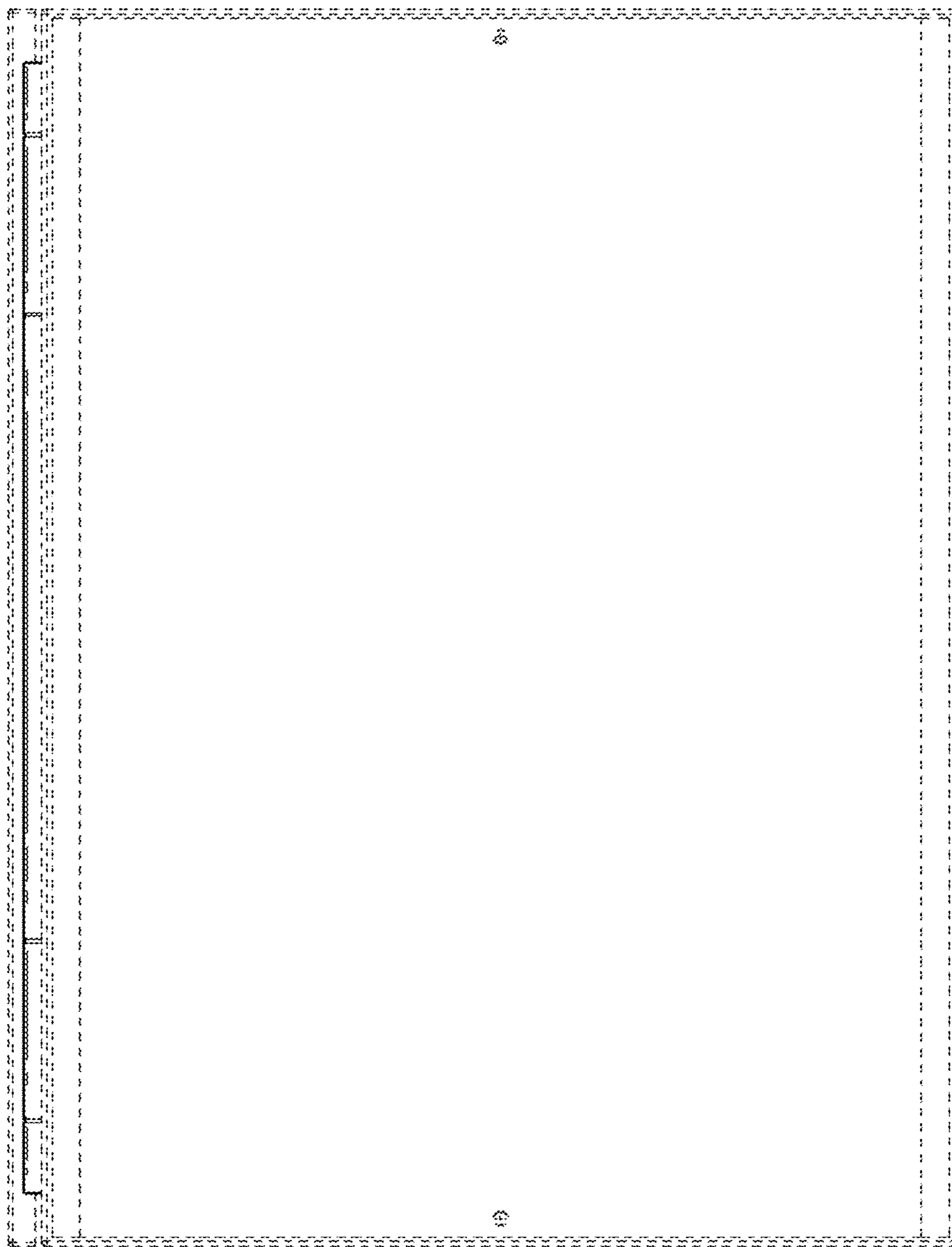


FIG. 25

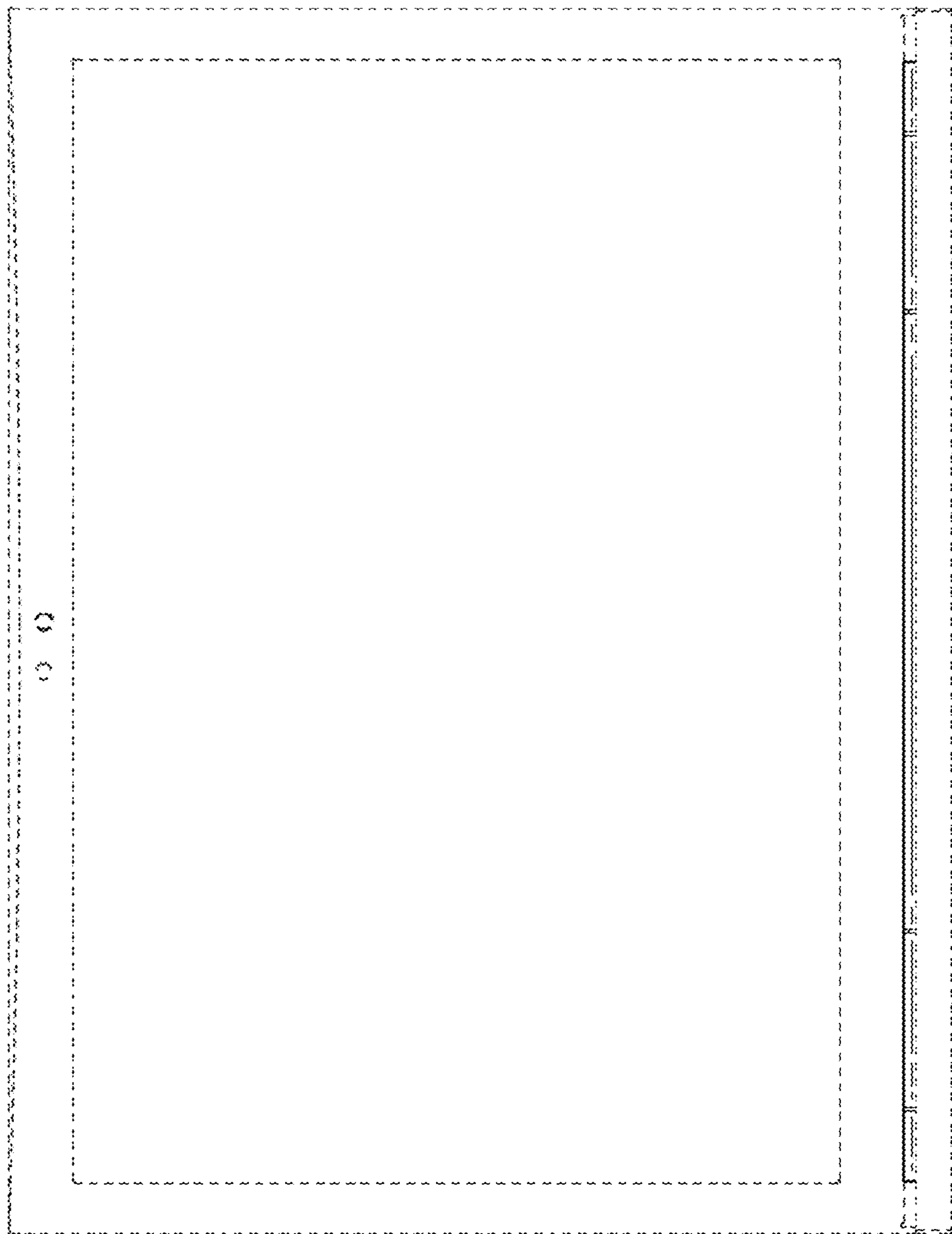


FIG. 26

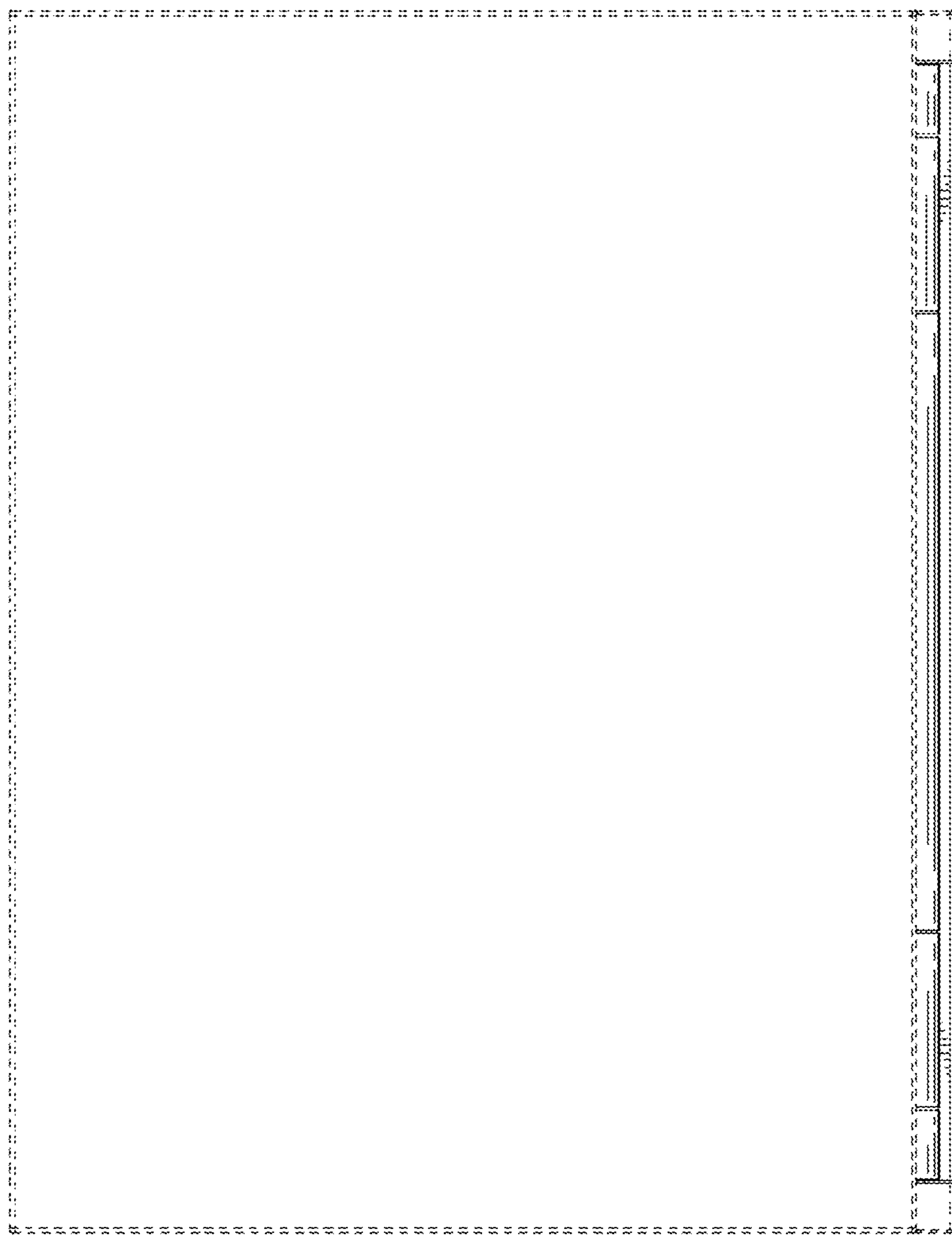


FIG. 27

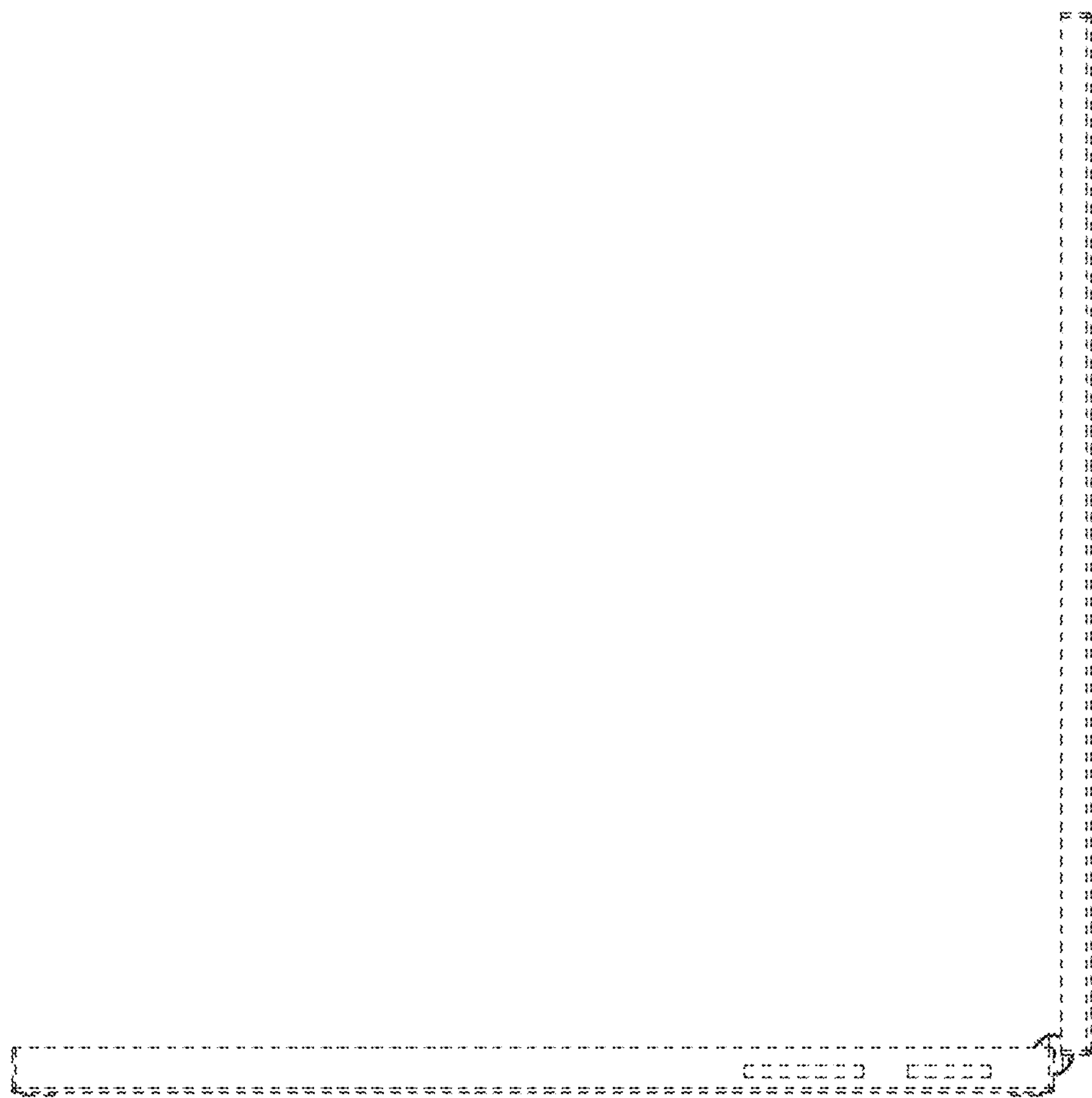


FIG. 28

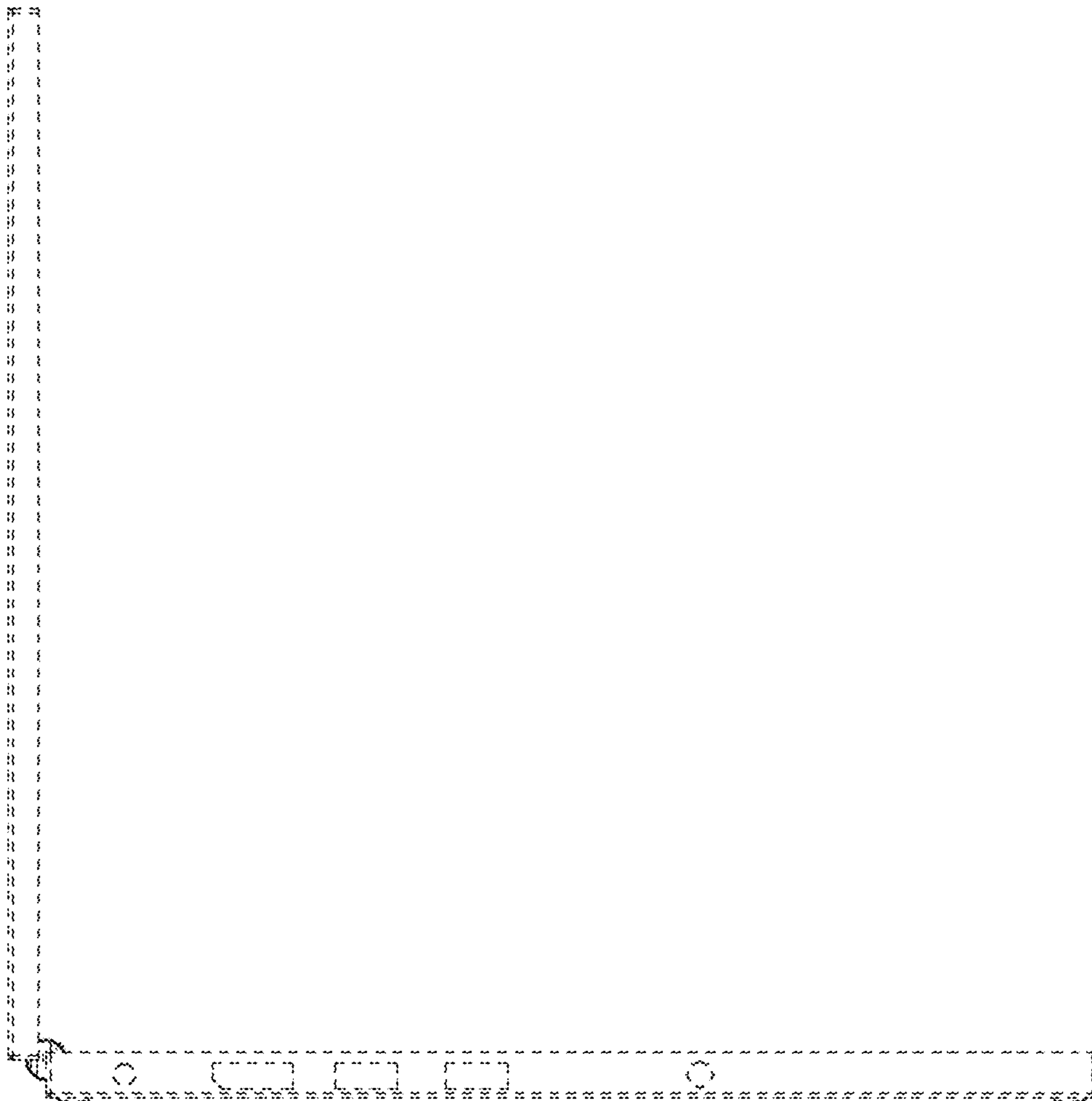


FIG. 29

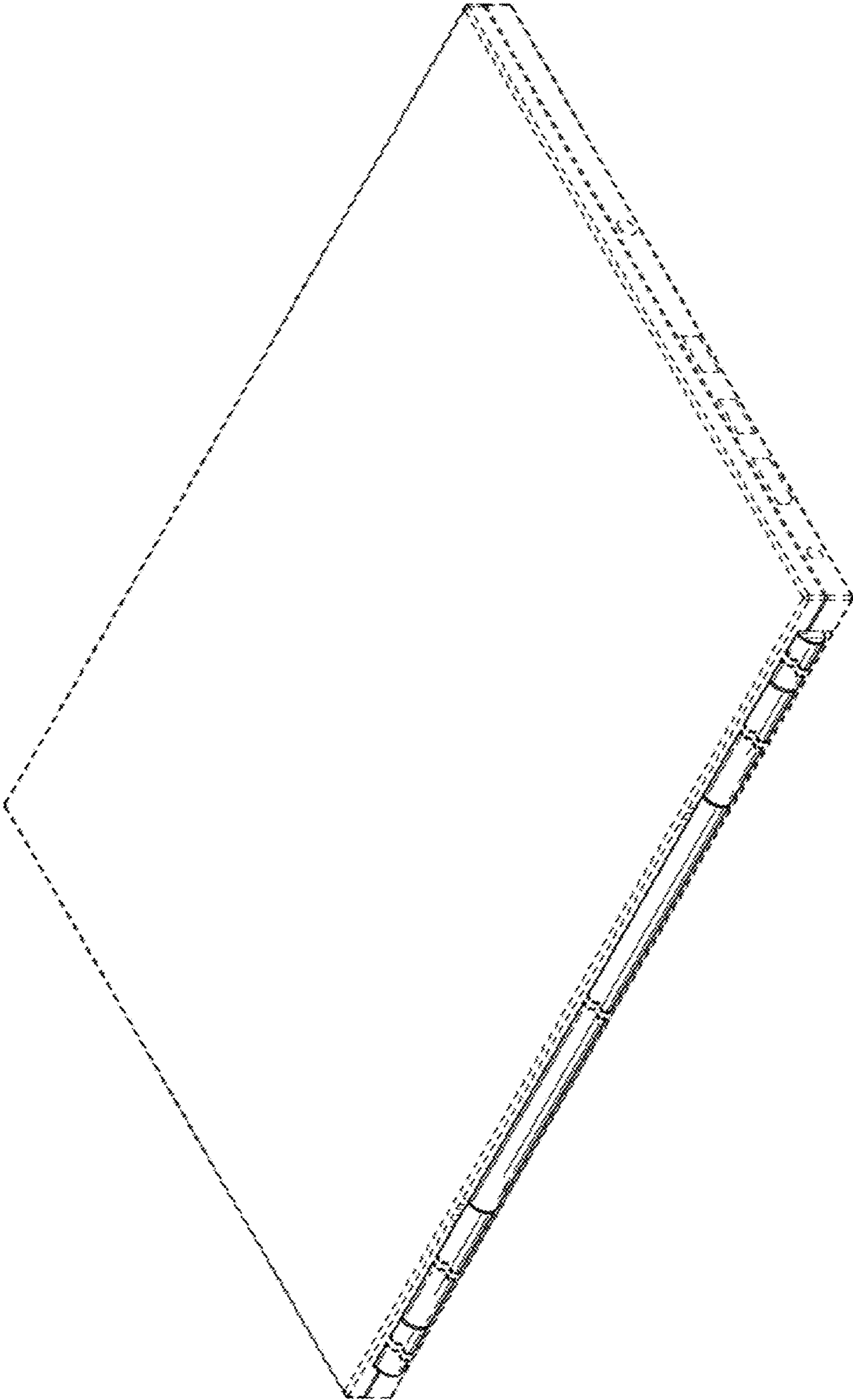


FIG. 30

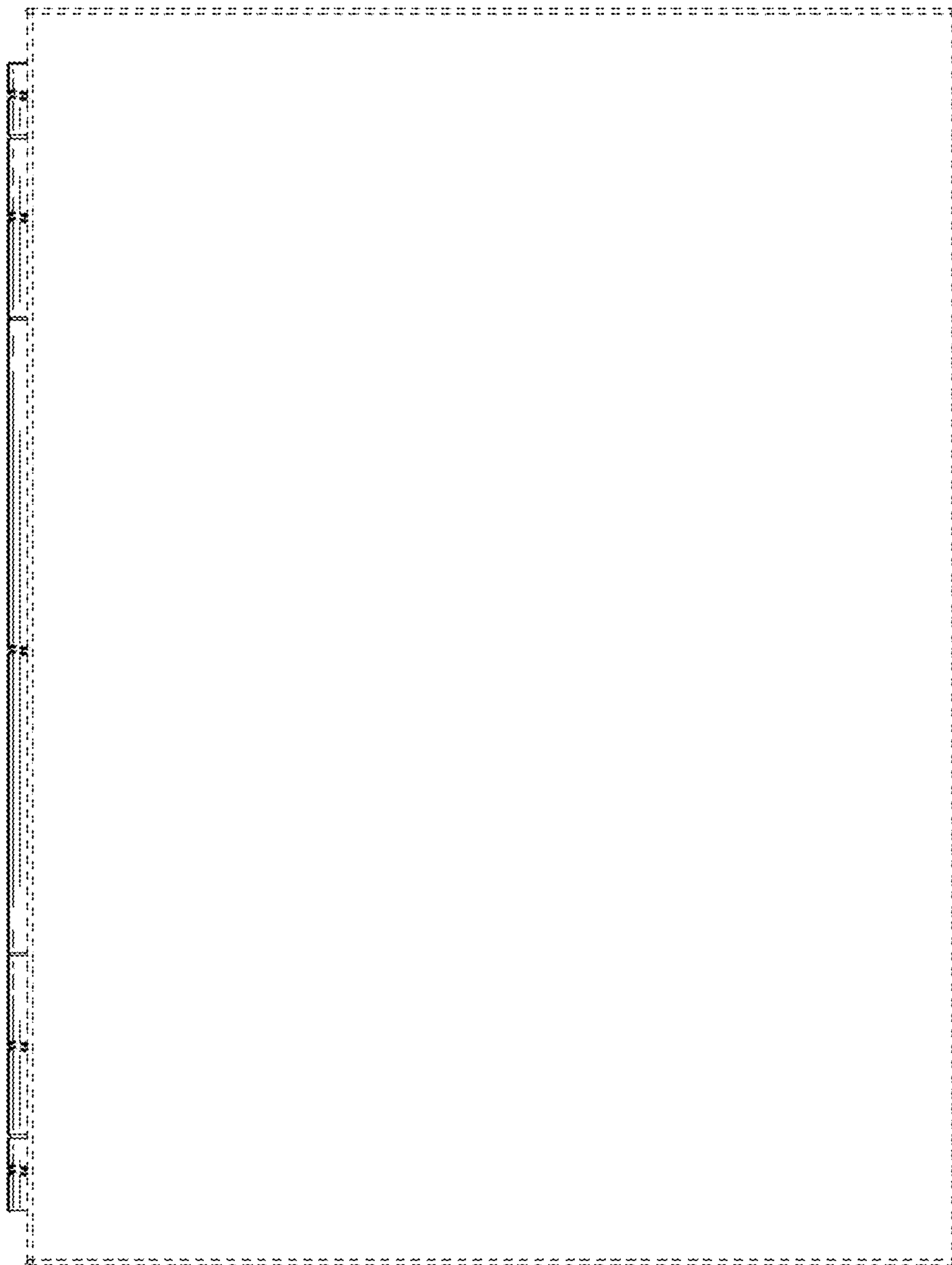


FIG. 31

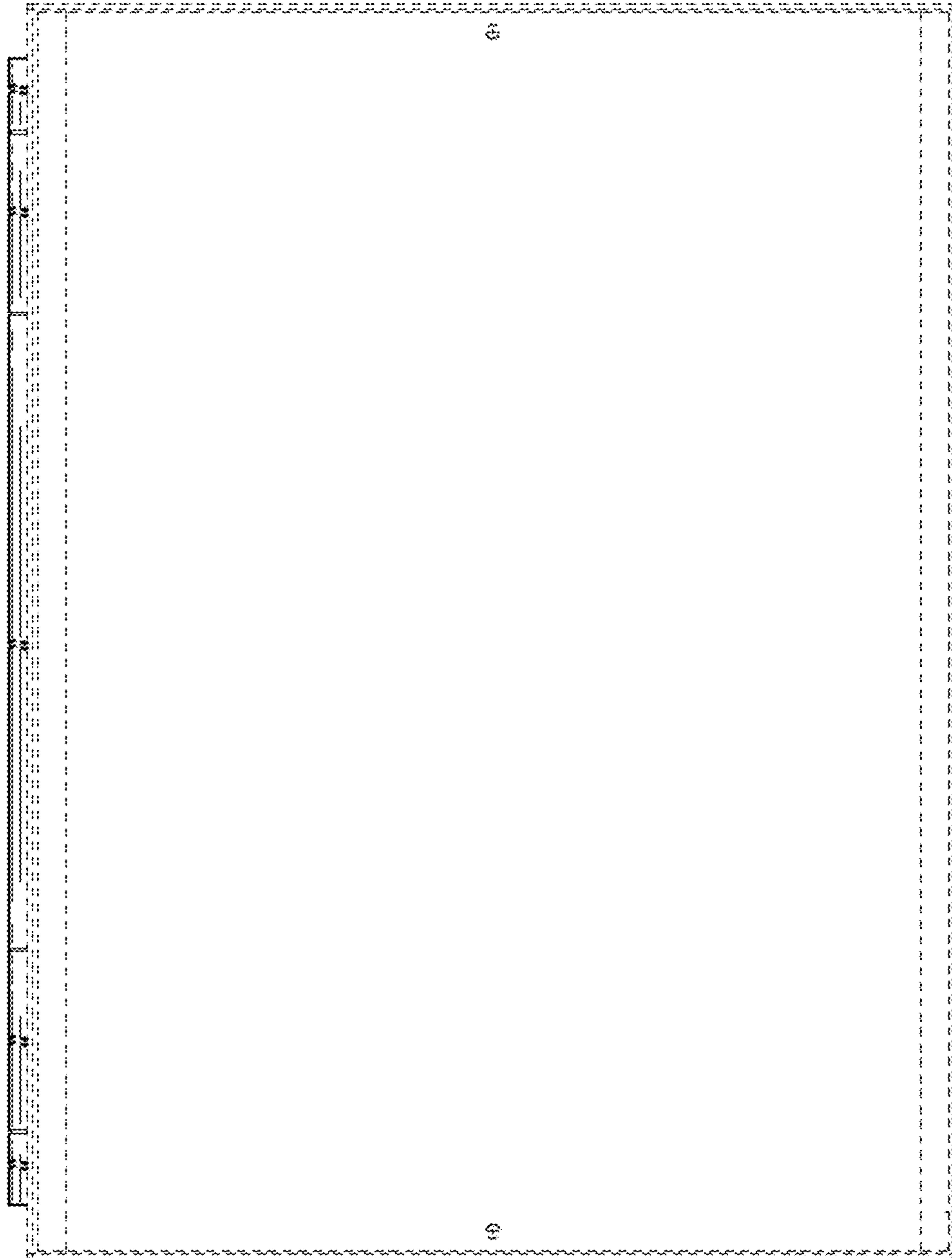


FIG. 32

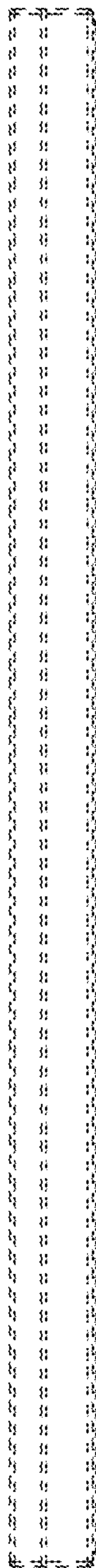


FIG. 33



FIG. 34

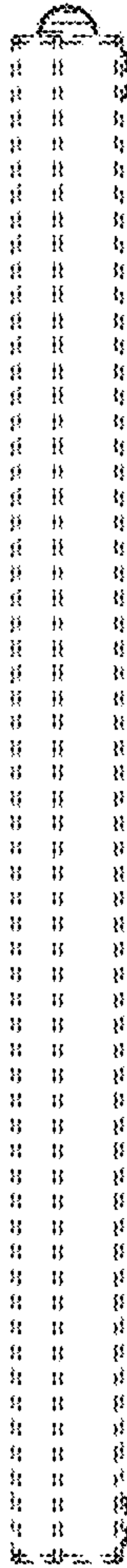
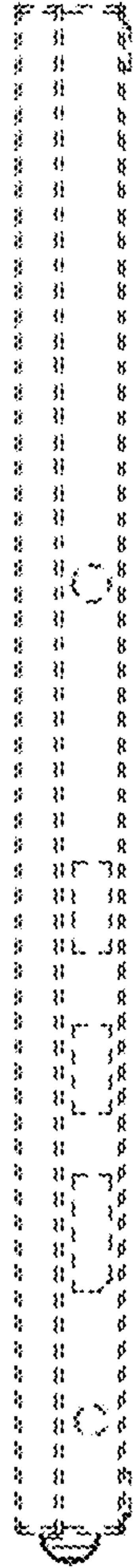


FIG. 35



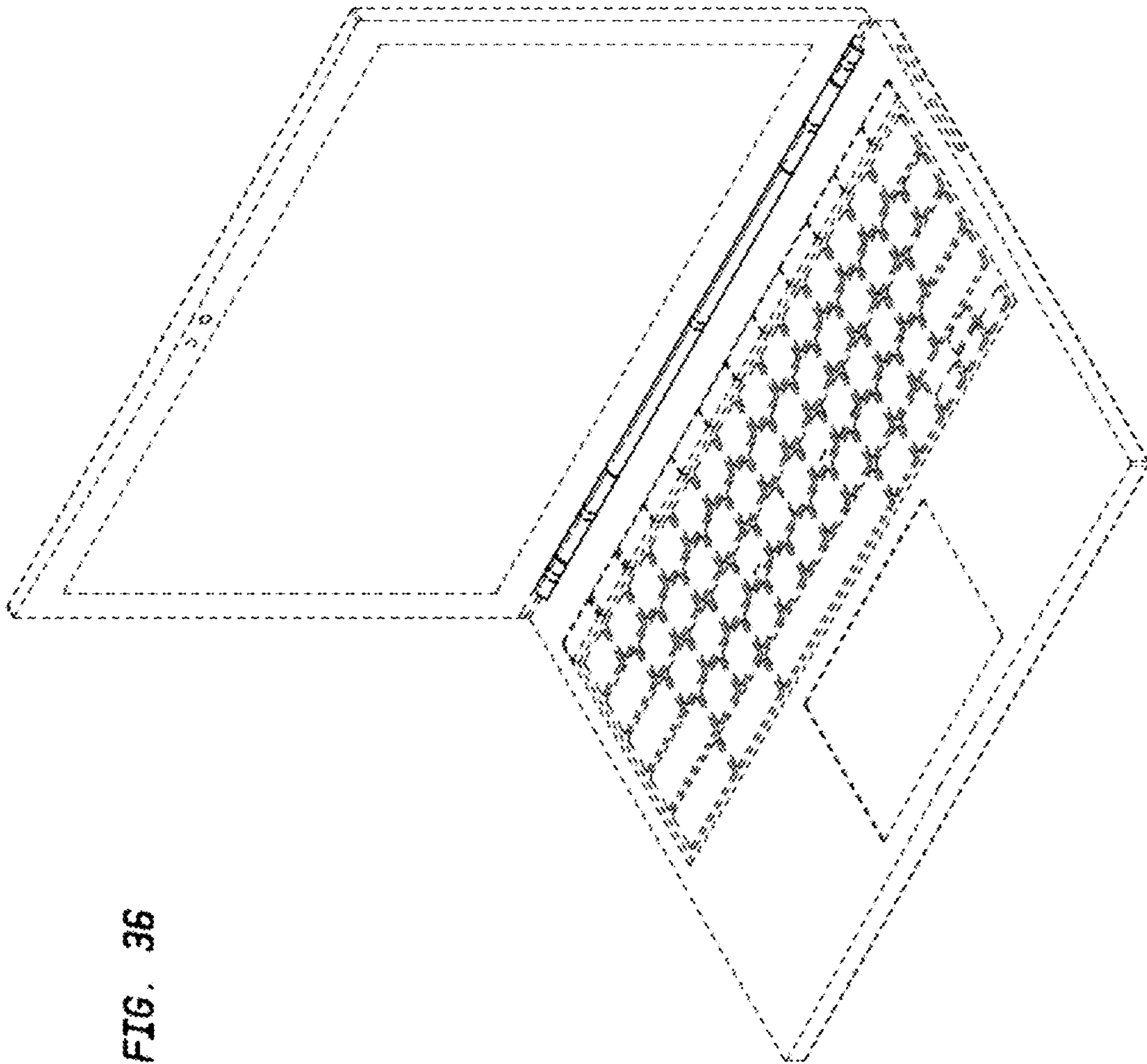


FIG. 36

FIG. 37

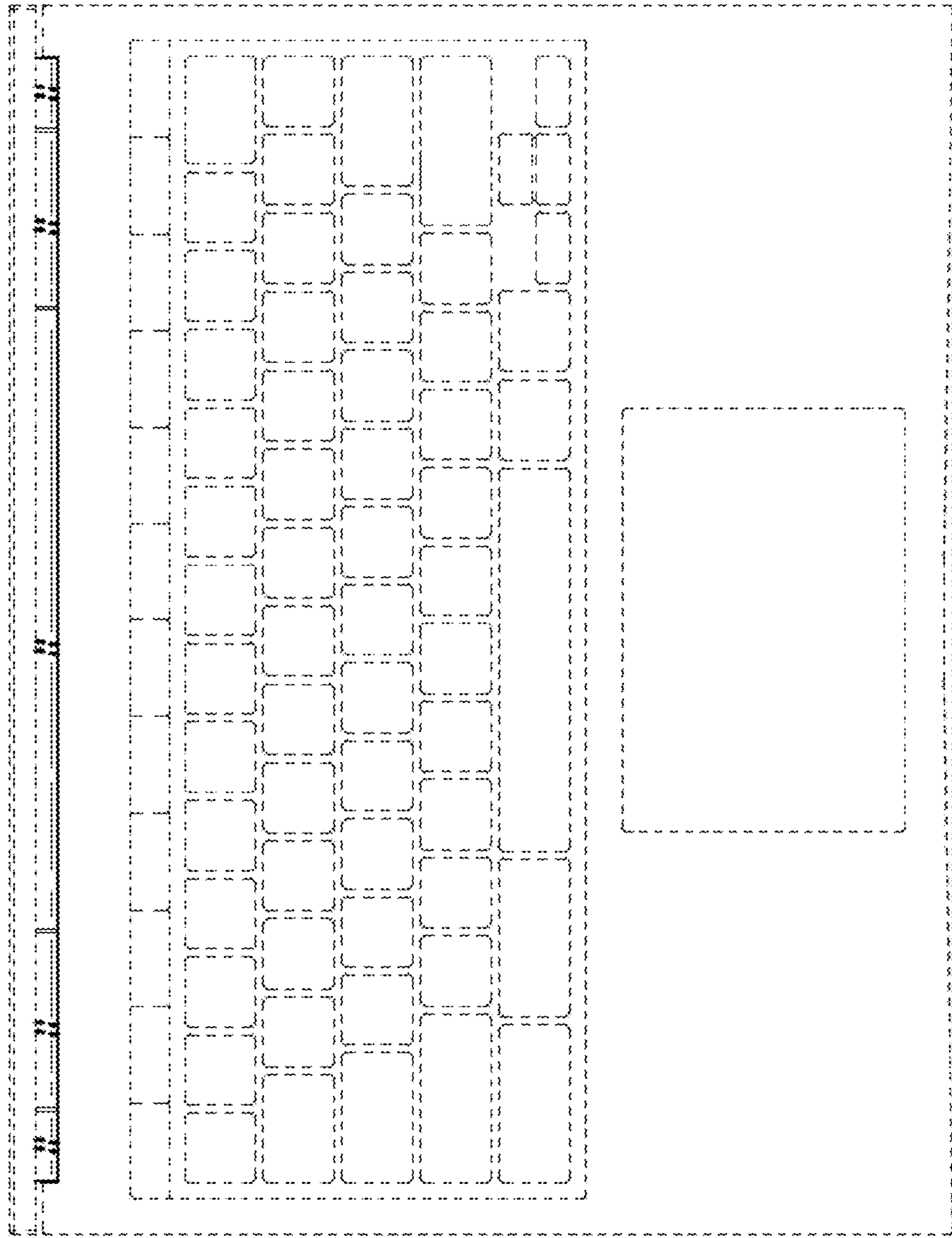


FIG. 3B

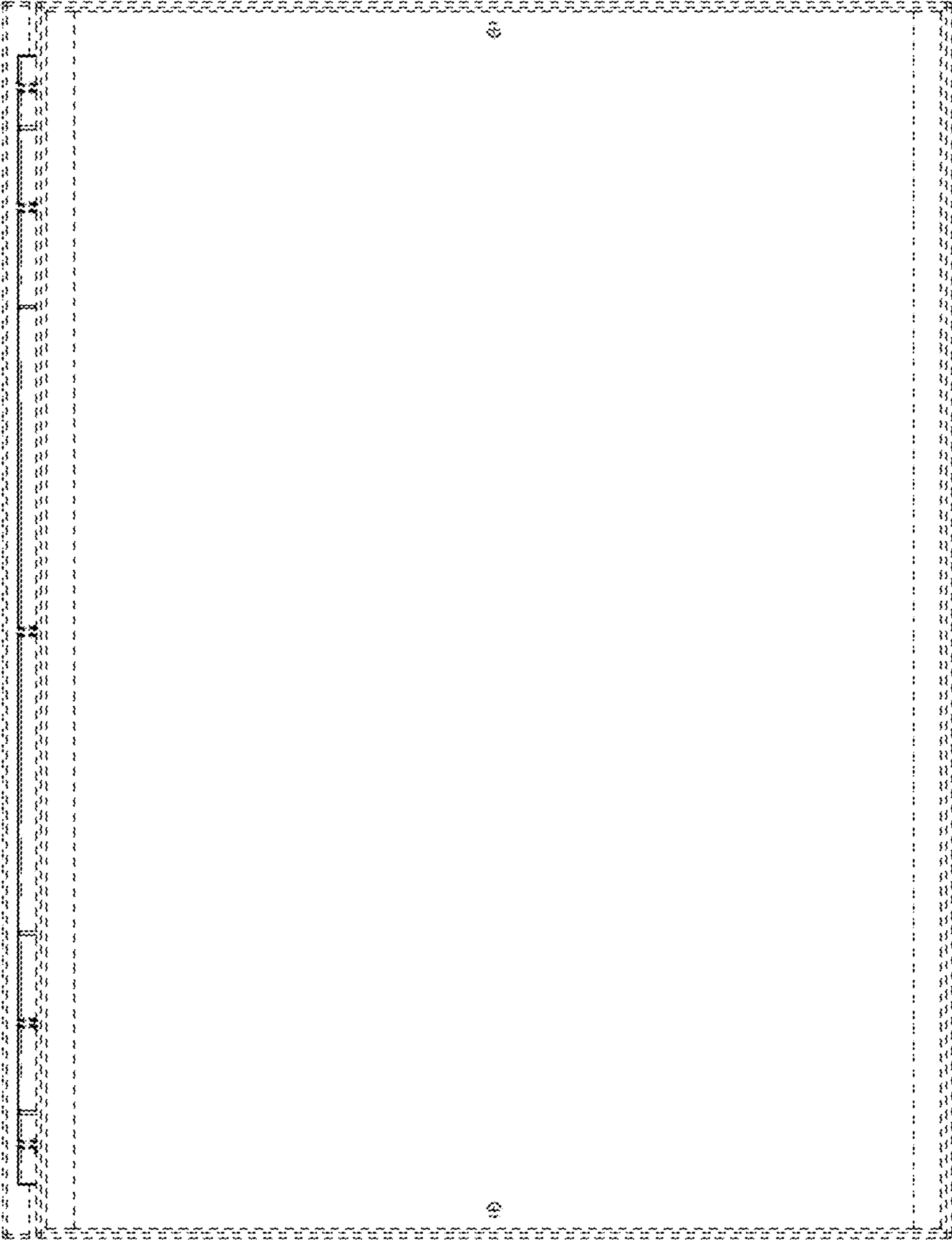


FIG. 39

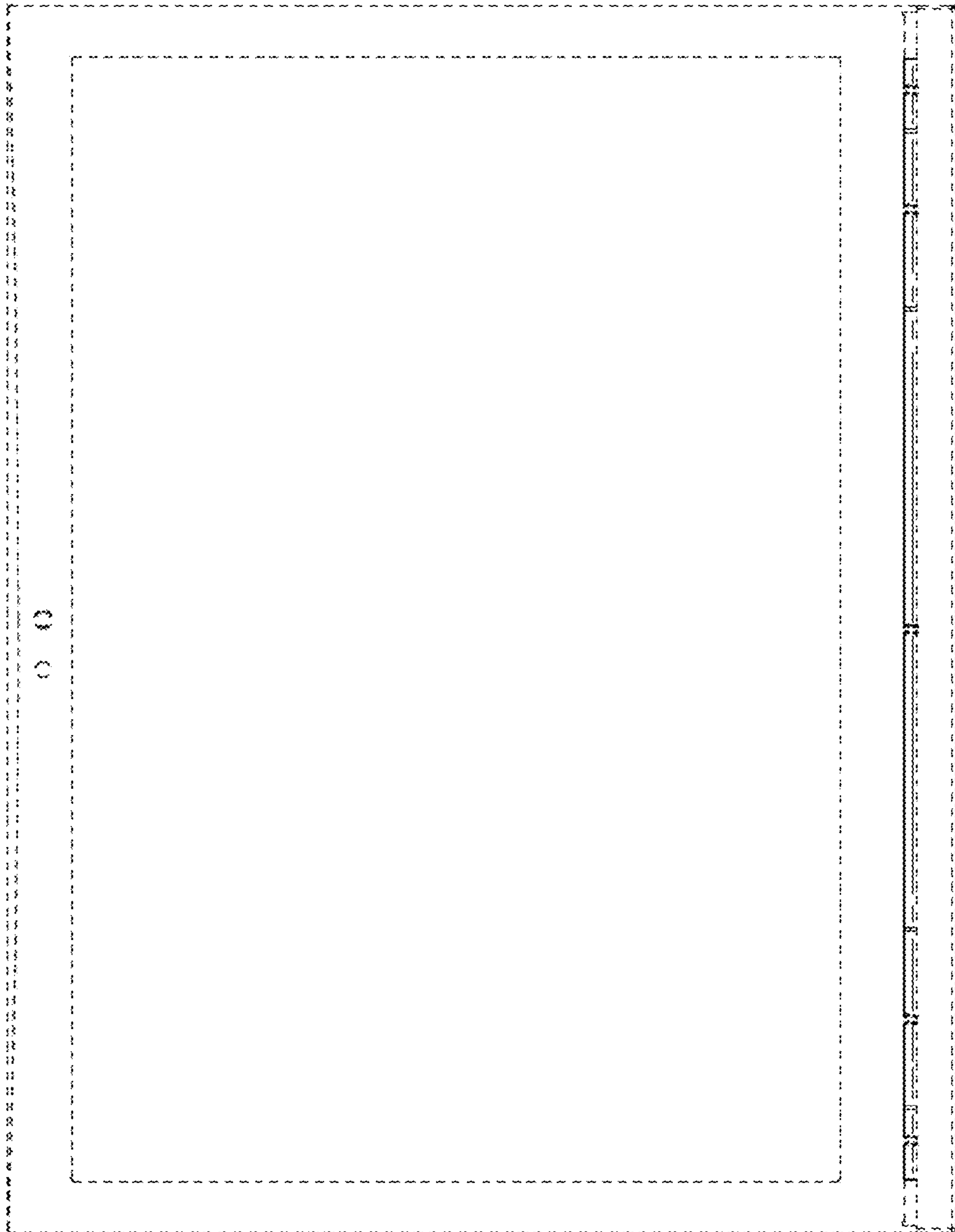


FIG. 40

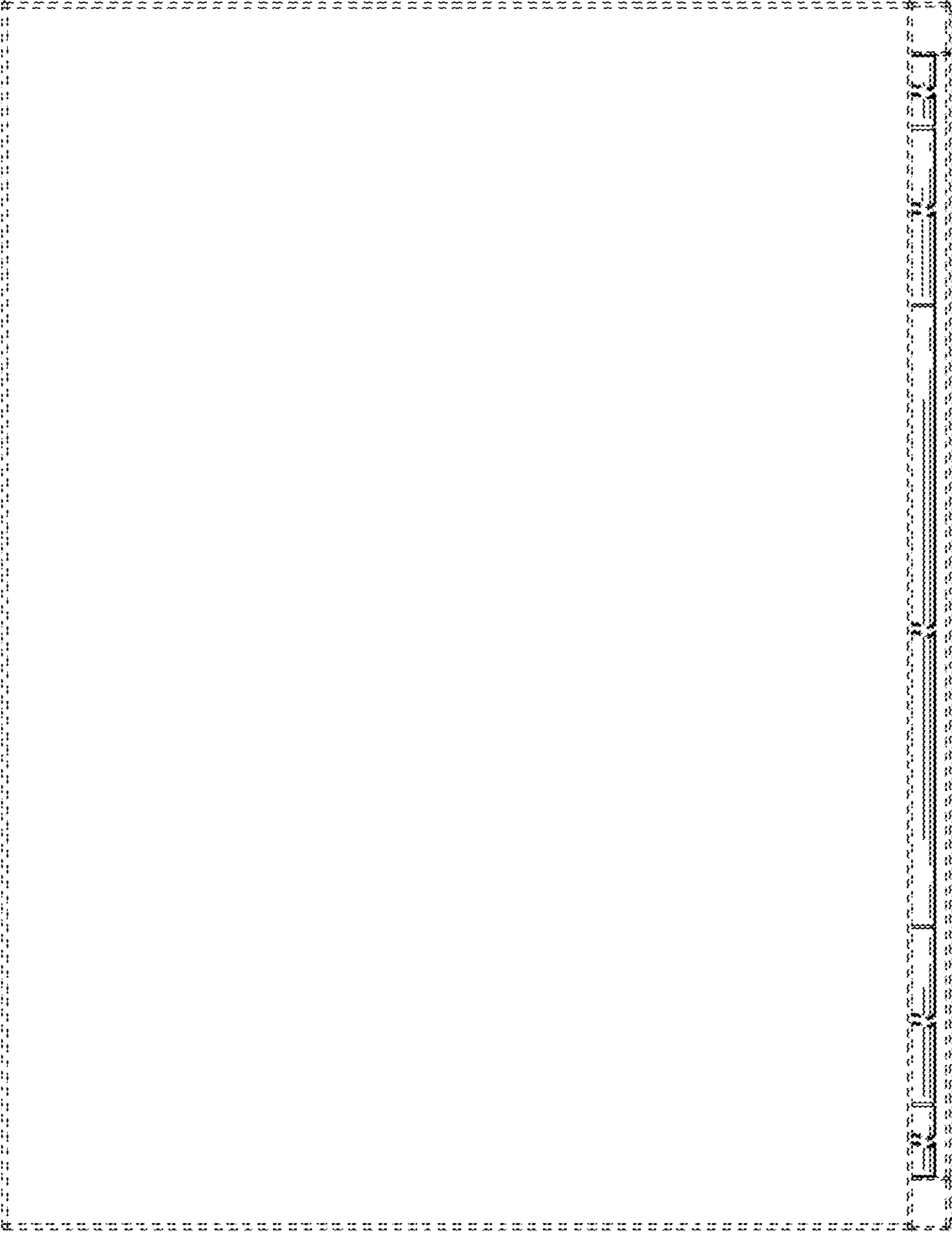


FIG. 41

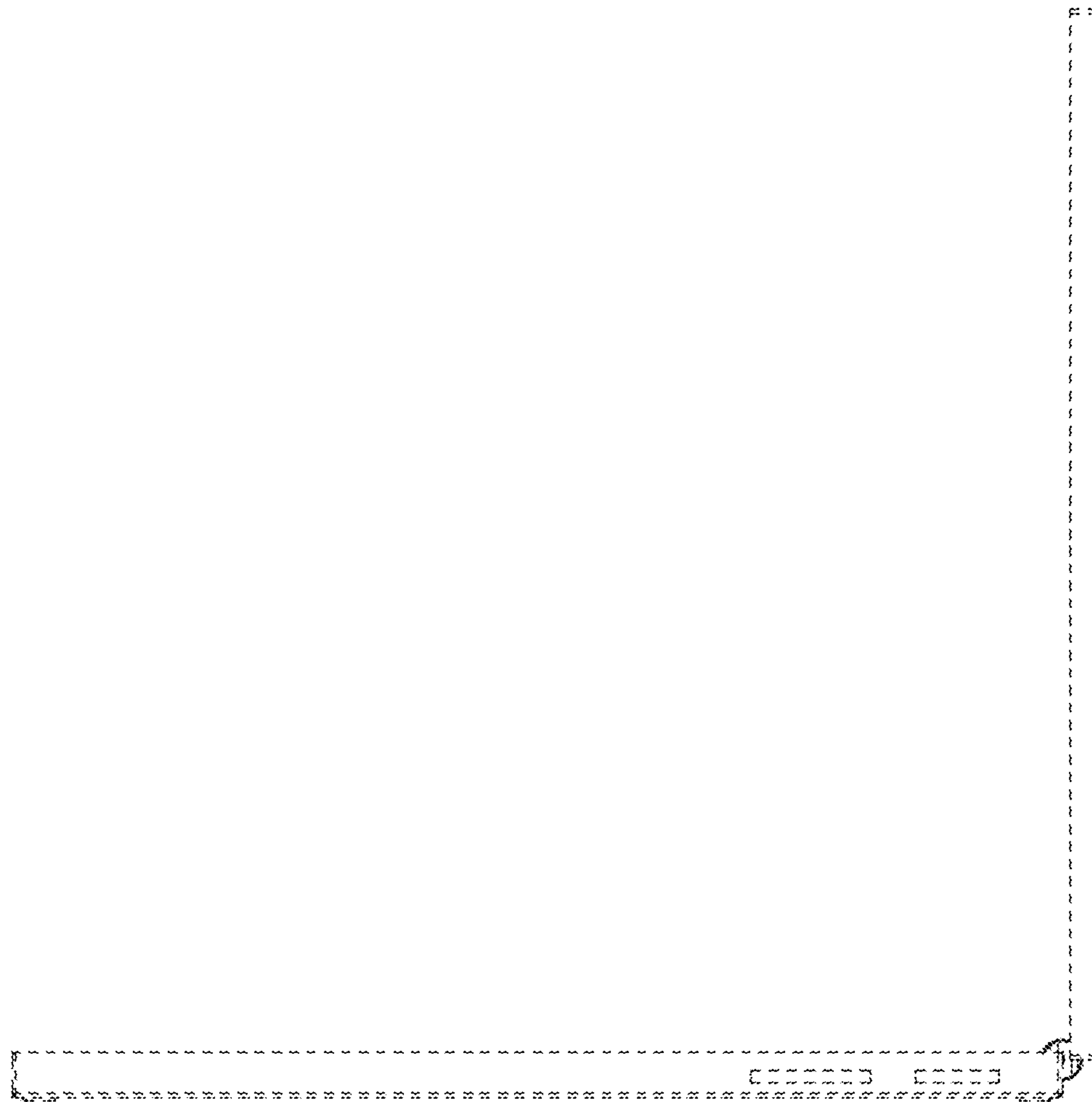


FIG. 42

