



US00D684964S

(12) **United States Design Patent**
Lam et al.

(10) **Patent No.:** **US D684,964 S**
(45) **Date of Patent:** **** Jun. 25, 2013**

(54) **NOTEBOOK COMPUTER HOUSING**

D586,796 S 2/2009 Lee et al.
D603,395 S 11/2009 Hong et al.
D606,989 S 12/2009 Andre et al.
D630,221 S * 1/2011 Sogabe et al. D14/439

(75) Inventors: **Lawrence Lam**, San Jose, CA (US);
Joseph Clayton, San Francisco, CA
(US)

(Continued)

(73) Assignee: **Google Inc.**, Mountain View, CA (US)

Primary Examiner — Freda S Nunn
(74) *Attorney, Agent, or Firm* — Lerner, David, Littenberg,
Krumholz & Mentlik, LLP

(**) Term: **14 Years**

(57) **CLAIM**

(21) Appl. No.: **29/408,679**

The ornamental design for a notebook computer housing, as shown and described.

(22) Filed: **Dec. 15, 2011**

DESCRIPTION

(51) **LOC (9) Cl.** **14-02**

(52) **U.S. Cl.**
USPC **D14/315**

(58) **Field of Classification Search**
USPC D14/315–327, 439; D18/1, 2, 7,
D18/11; 235/145 A, 145 R; 341/22, 23;
345/104, 156, 168, 169, 173; 361/679.08,
361/679.09, 679.11, 679.26, 679.27; 16/367
See application file for complete search history.

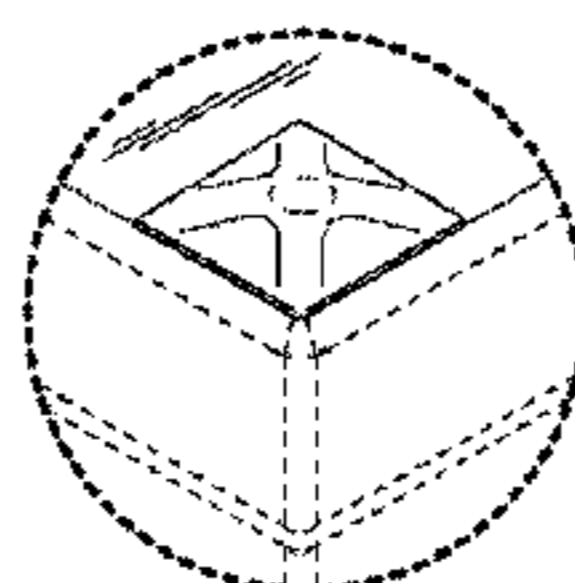
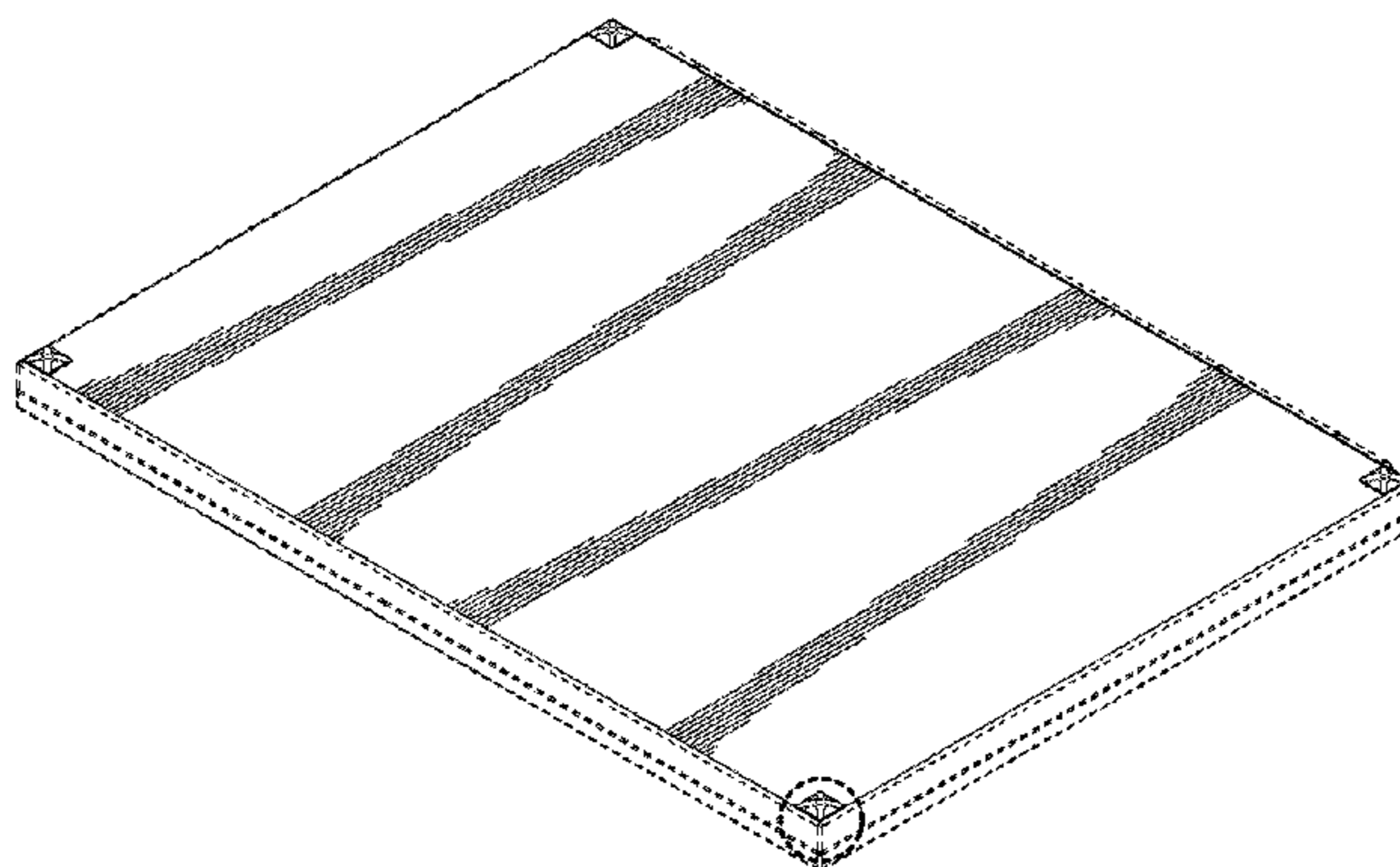
FIG. 1 is a bottom front perspective view of a notebook computer housing shown in a closed configuration according to our design;
FIG. 2 is an enlarged portion of a section thereof as indicated in FIG. 1;
FIG. 3 is a top view thereof;
FIG. 4 is a bottom view thereof;
FIG. 5 is an enlarged portion of a section thereof as indicated in FIG. 4;
FIG. 6 is a front view thereof;
FIG. 7 is an enlarged portion of a section thereof as indicated in FIG. 6;
FIG. 8 is a back view thereof;
FIG. 9 is a right side view thereof;
FIG. 10 is a left side view thereof;
FIG. 11 is a top front perspective view thereof in an open configuration;
FIG. 12 is a top view thereof;
FIG. 13 is a bottom view thereof;
FIG. 14 is a front view thereof;
FIG. 15 is a back view thereof;
FIG. 16 is a right side view thereof; and,
FIG. 17 is a left side view thereof.
Broken lines are shown for environment only and form no part of the claimed design.

(56) **References Cited**

U.S. PATENT DOCUMENTS

D332,945 S	2/1993	Savio	
D334,558 S	4/1993	Iino	
D343,407 S	1/1994	Kando	
5,566,048 A *	10/1996	Esterberg et al. 361/679.27
D408,798 S	4/1999	Lee et al.	
D419,970 S	2/2000	Tsukada et al.	
D425,874 S	5/2000	Tanimura	
D461,470 S	8/2002	Kawa	
D463,797 S	10/2002	Andre et al.	
D464,344 S	10/2002	Jobs et al.	
D491,177 S	6/2004	Andre et al.	
D493,785 S	8/2004	Andre et al.	
D502,943 S	3/2005	Ma et al.	
D513,509 S	1/2006	Kawa	
D556,192 S	11/2007	Jeong et al.	
D558,752 S *	1/2008	Andre et al. D14/315
D564,511 S *	3/2008	Akhtar D14/318
D566,112 S	4/2008	Kawami et al.	

1 Claim, 14 Drawing Sheets



US D684,964 S

Page 2

U.S. PATENT DOCUMENTS			
D631,472 S	1/2011	Kawase et al.	
D631,878 S	2/2011	Jensen et al.	
D633,488 S	3/2011	Kim et al.	
D635,575 S *	4/2011	Masui et al.	D14/439
D636,388 S	4/2011	Kawase	
2002/0080576 A1 *	6/2002	Katagiri	361/686
2002/0089819 A1 *	7/2002	Misawa et al.	361/683
2002/0176224 A1 *	11/2002	Dhar et al.	361/683
2006/0146488 A1 *	7/2006	Kimmel	361/681
2006/0209503 A1 *	9/2006	Bovio et al.	361/681
2006/0282985 A1 *	12/2006	Lu et al.	16/367

* cited by examiner

FIG. 1

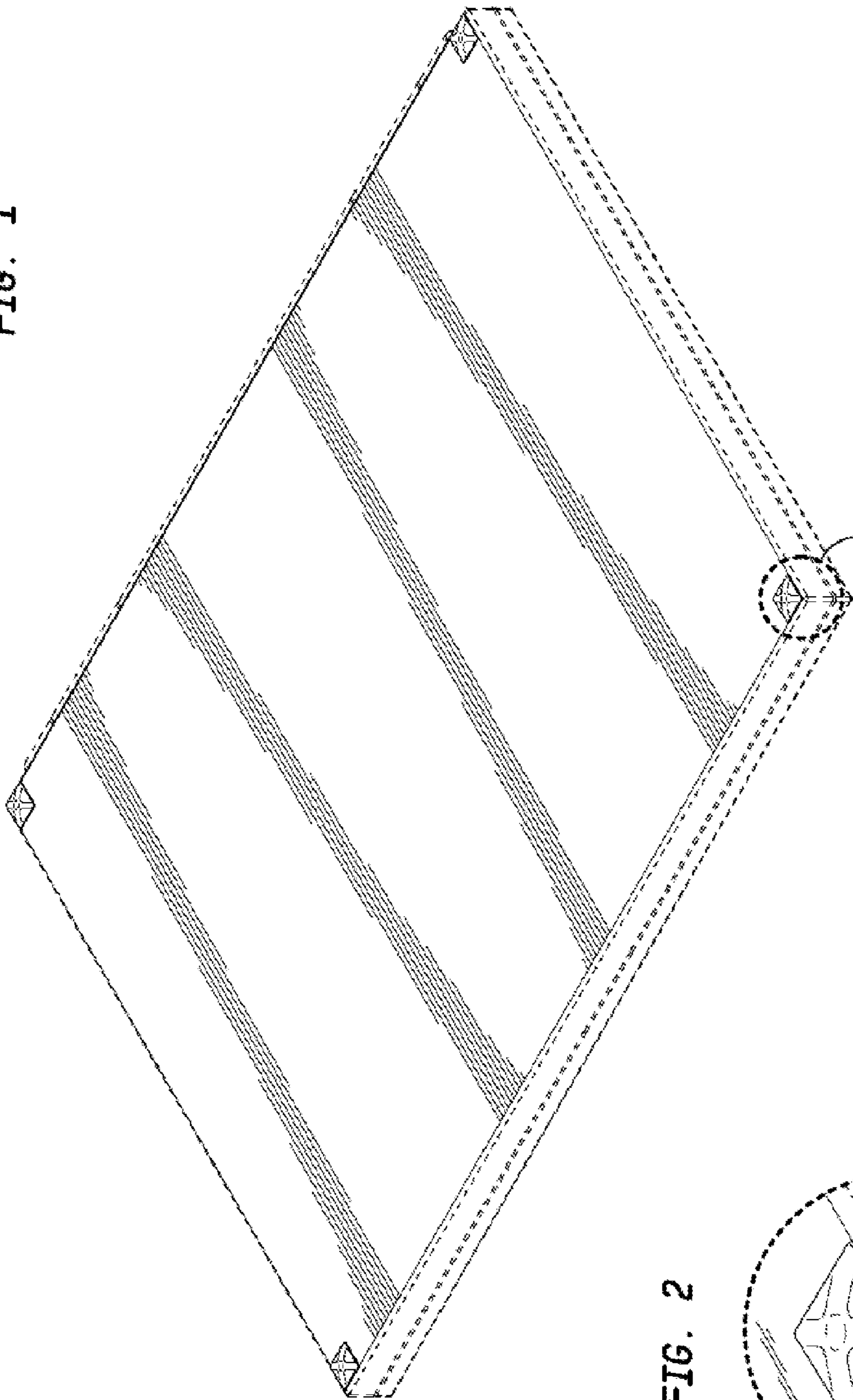


FIG. 2

FIG. 2

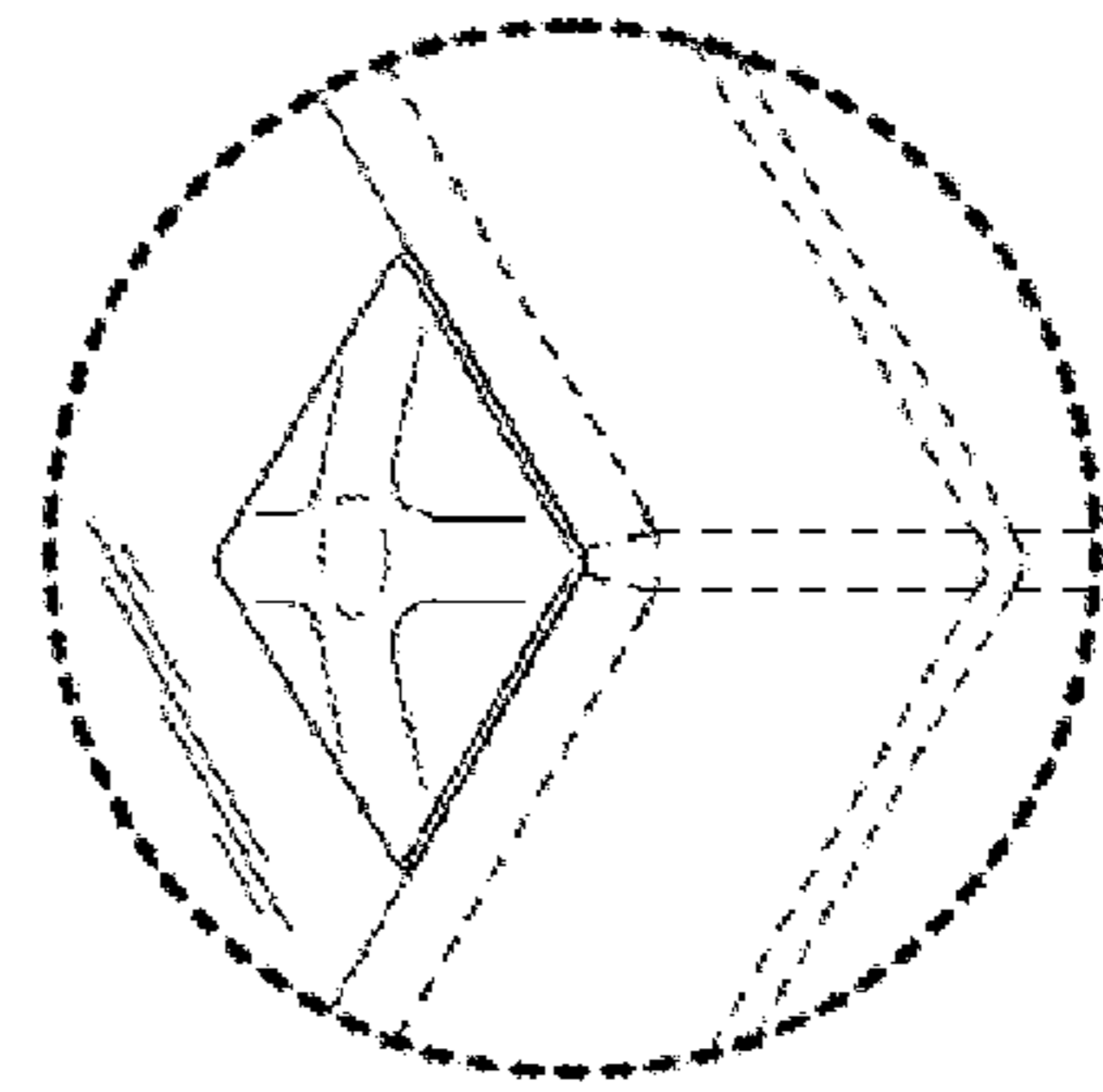


FIG. 3

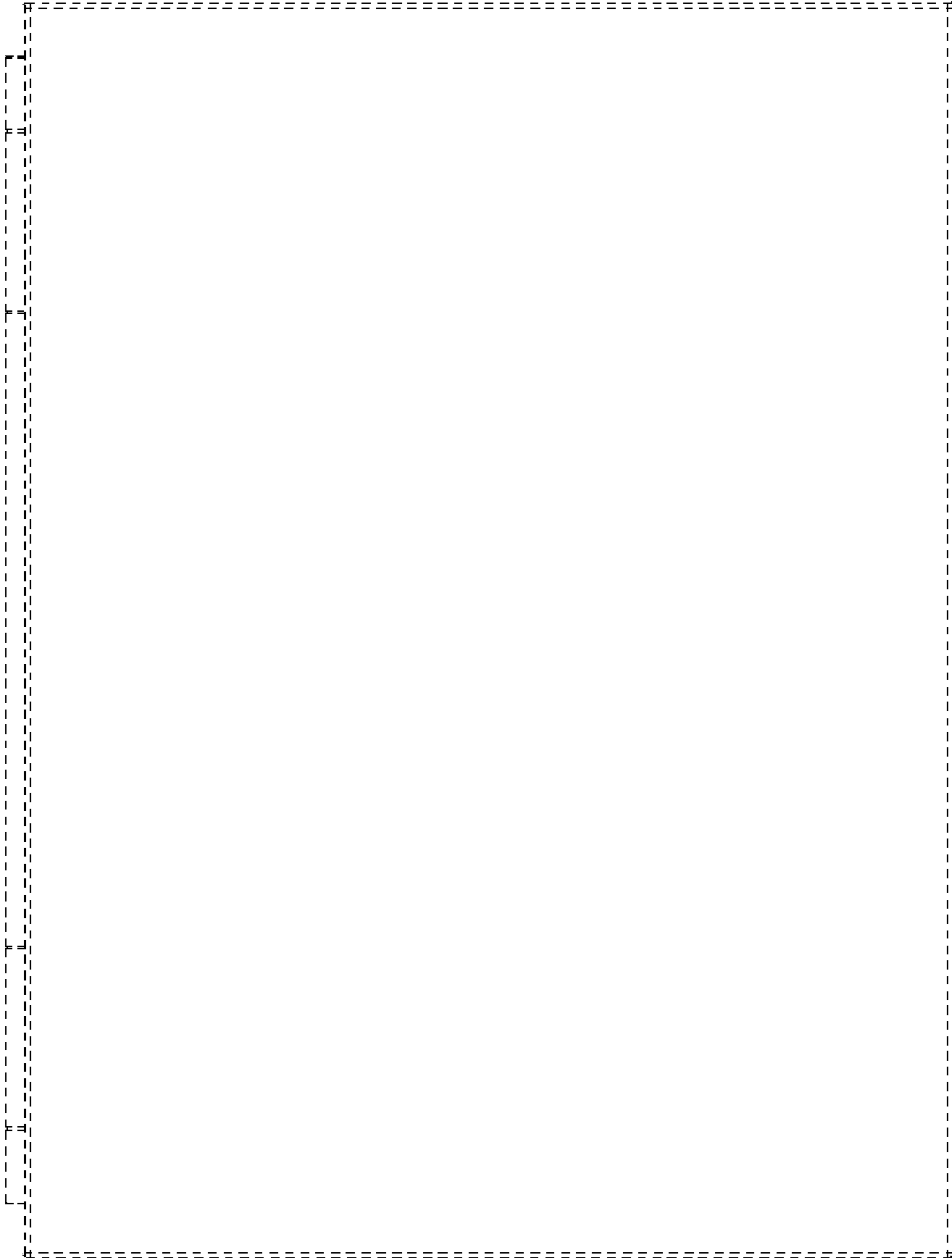


FIG. 4

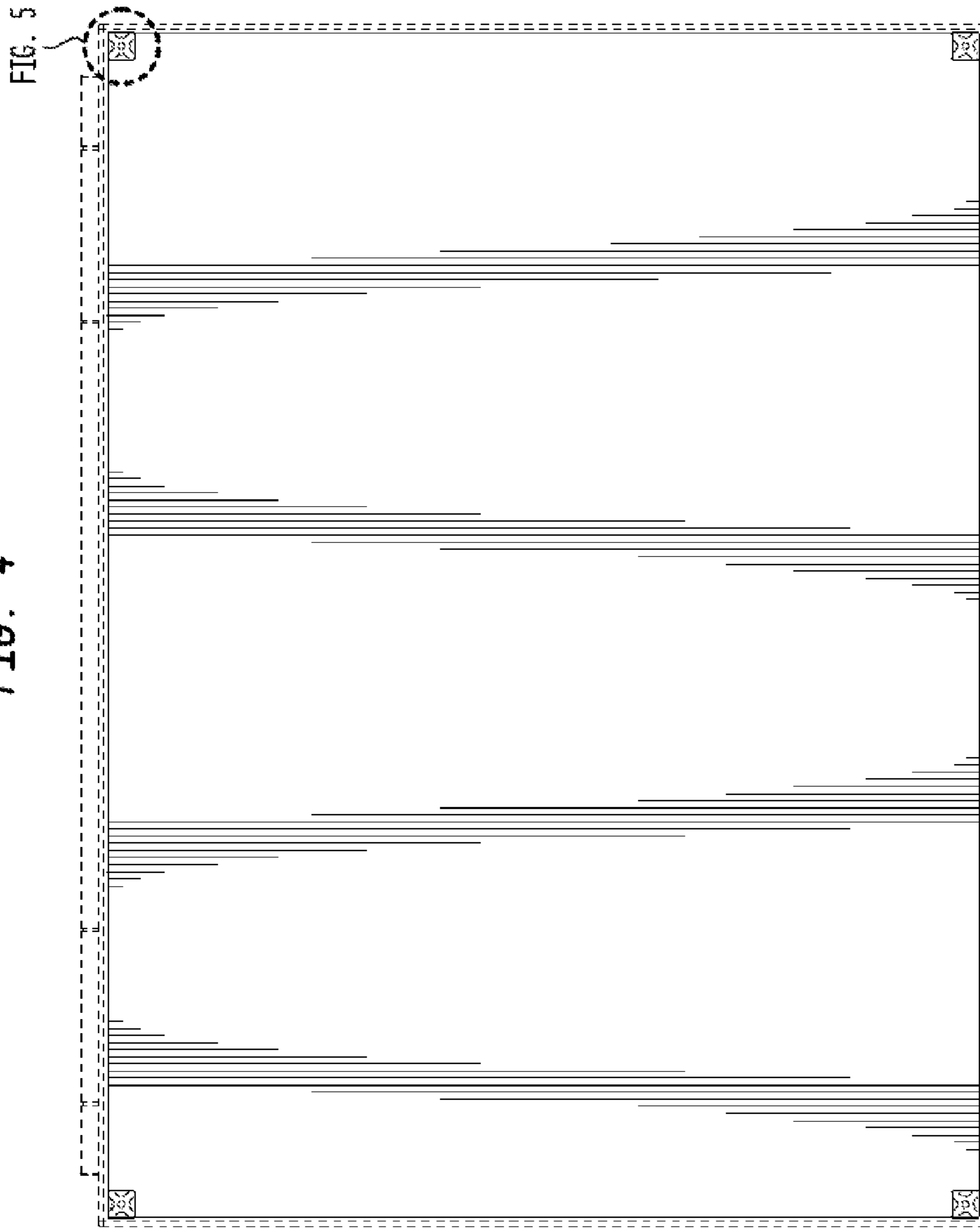


FIG. 5

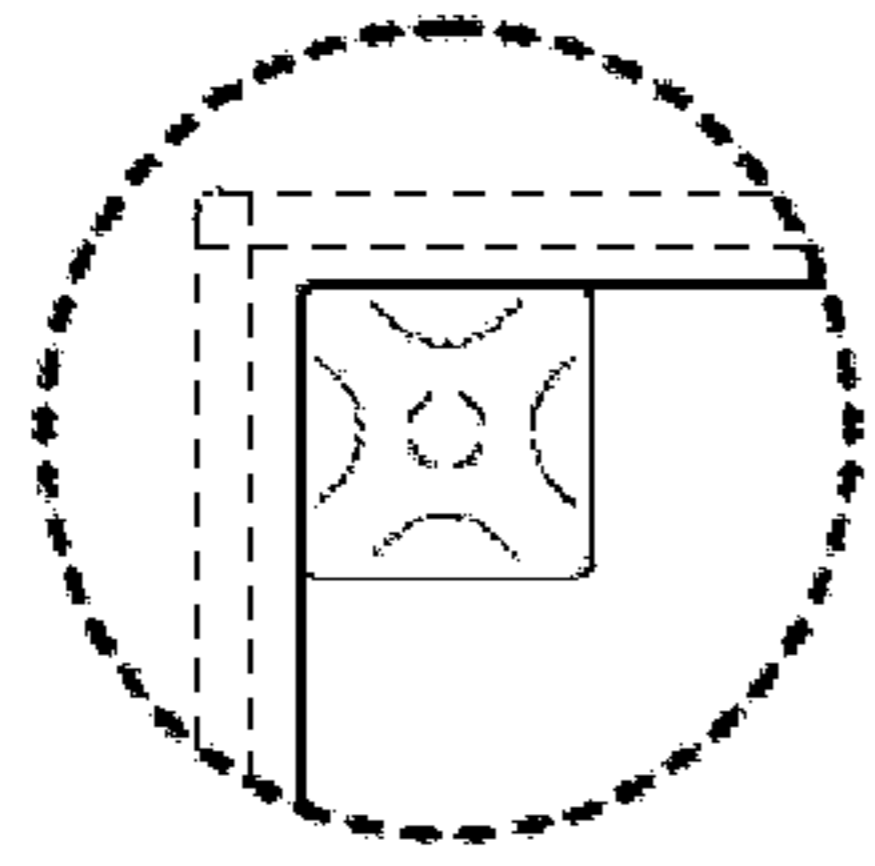


FIG. 6

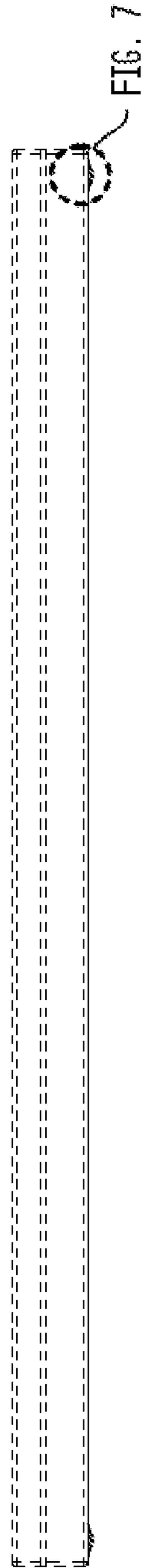


FIG. 7

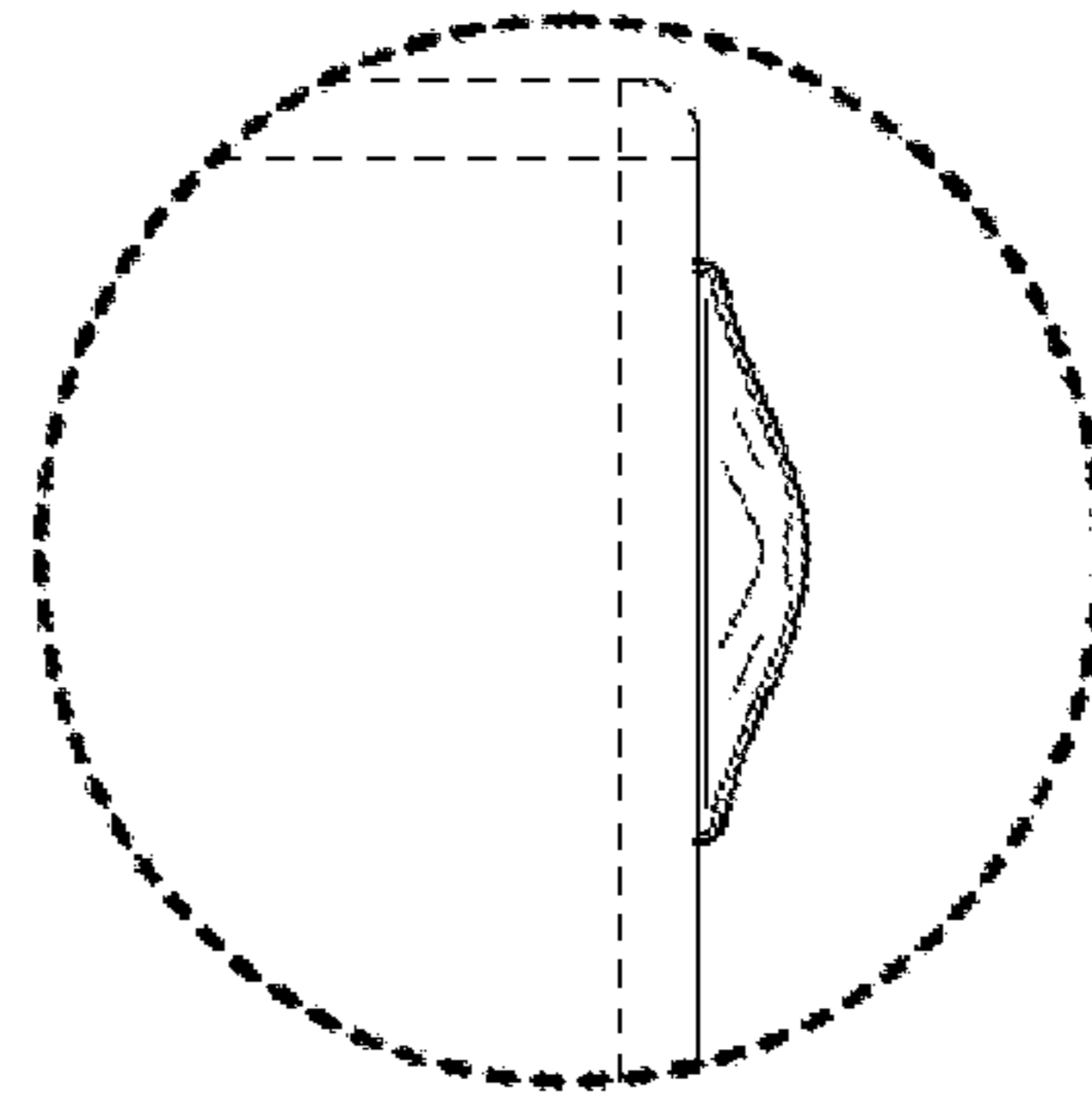


FIG. 8

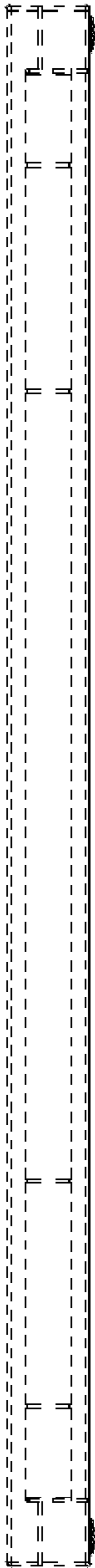
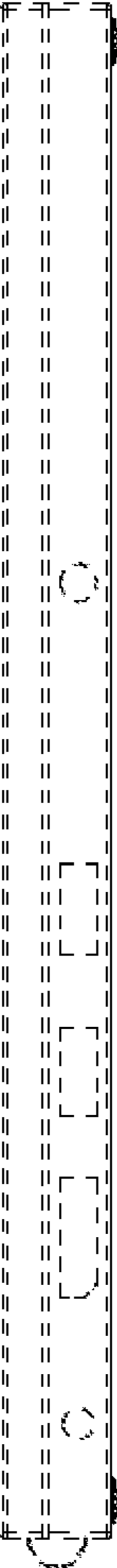


FIG. 9



FIG. 10



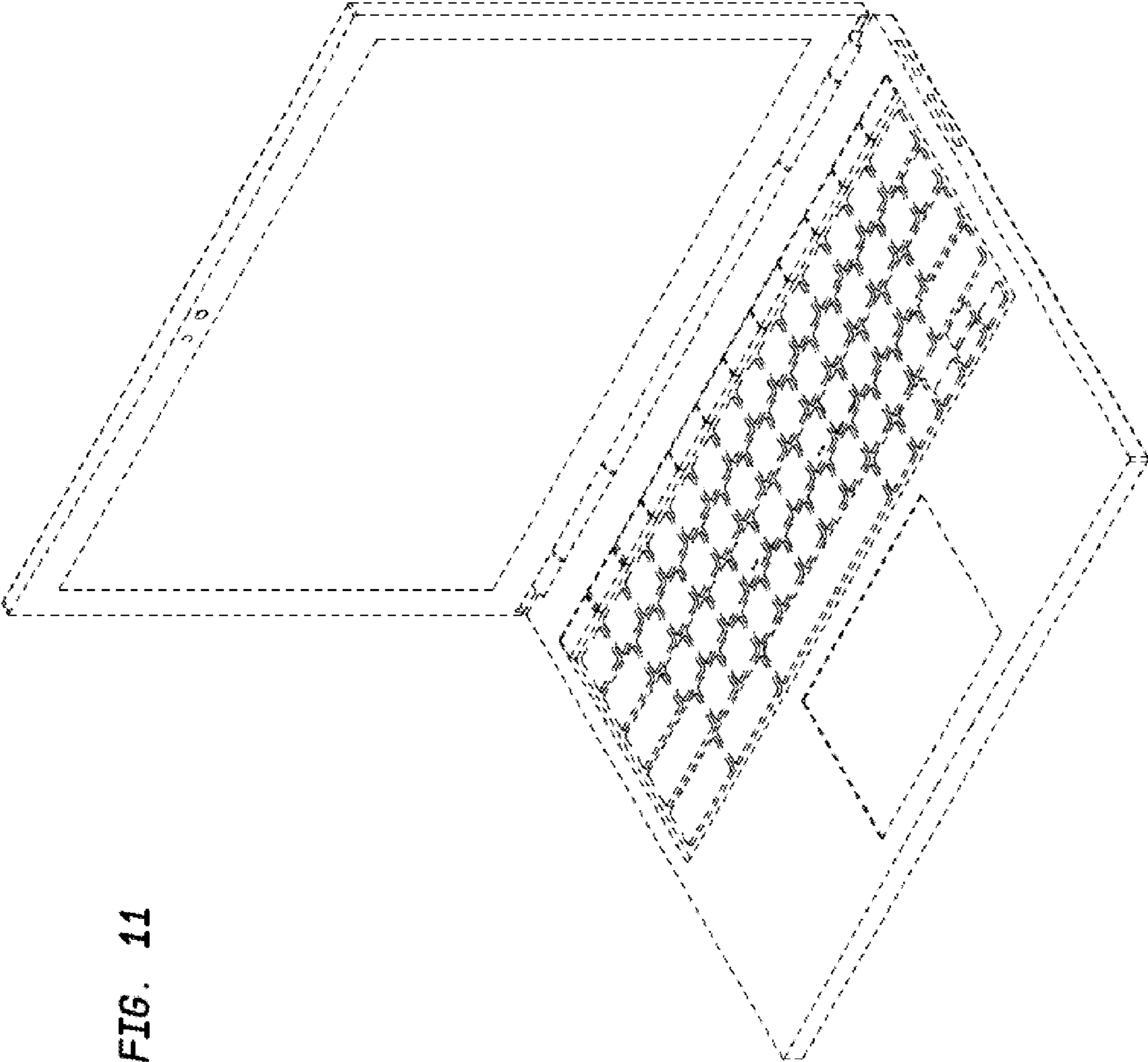


FIG. 11

FIG. 12

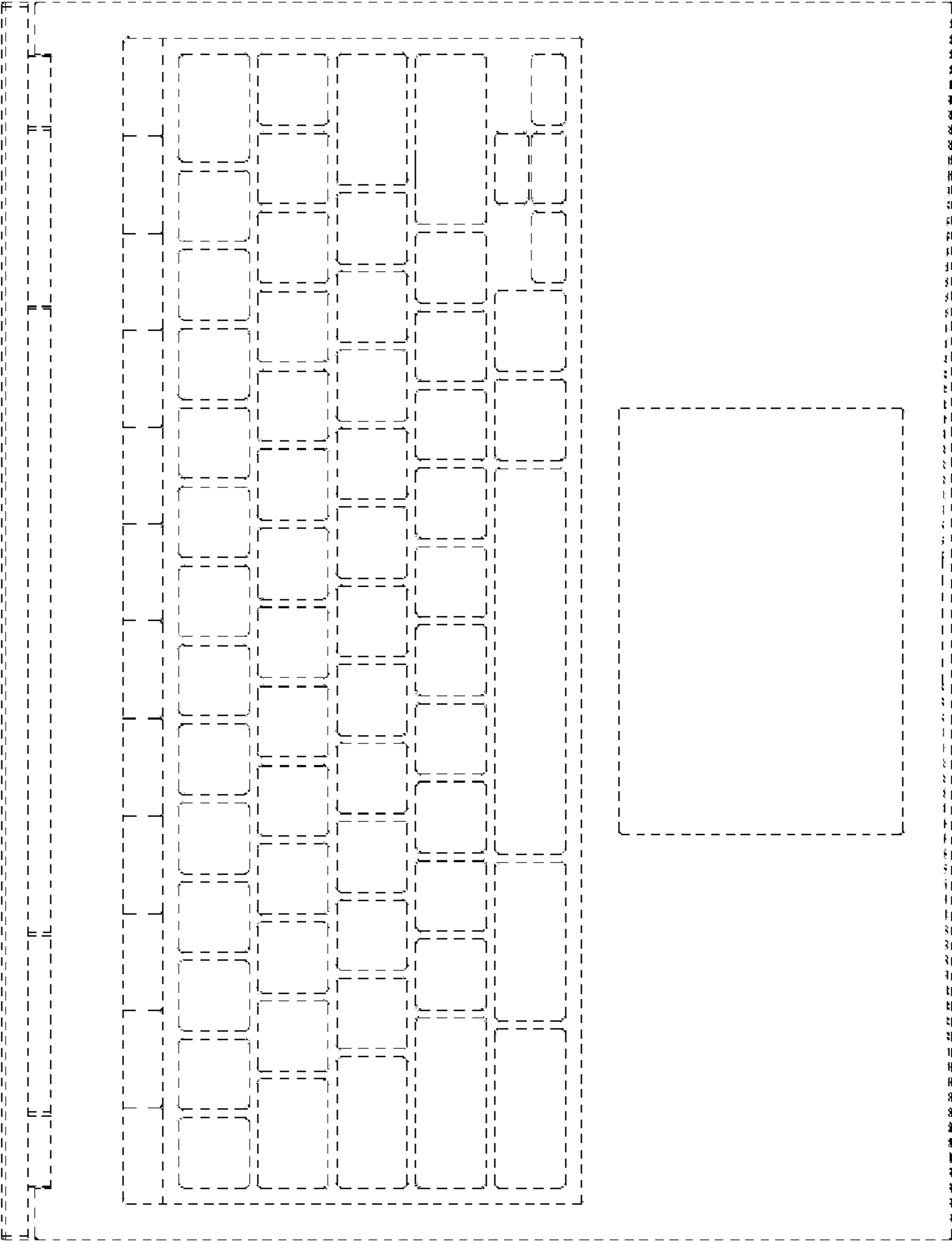


FIG. 13

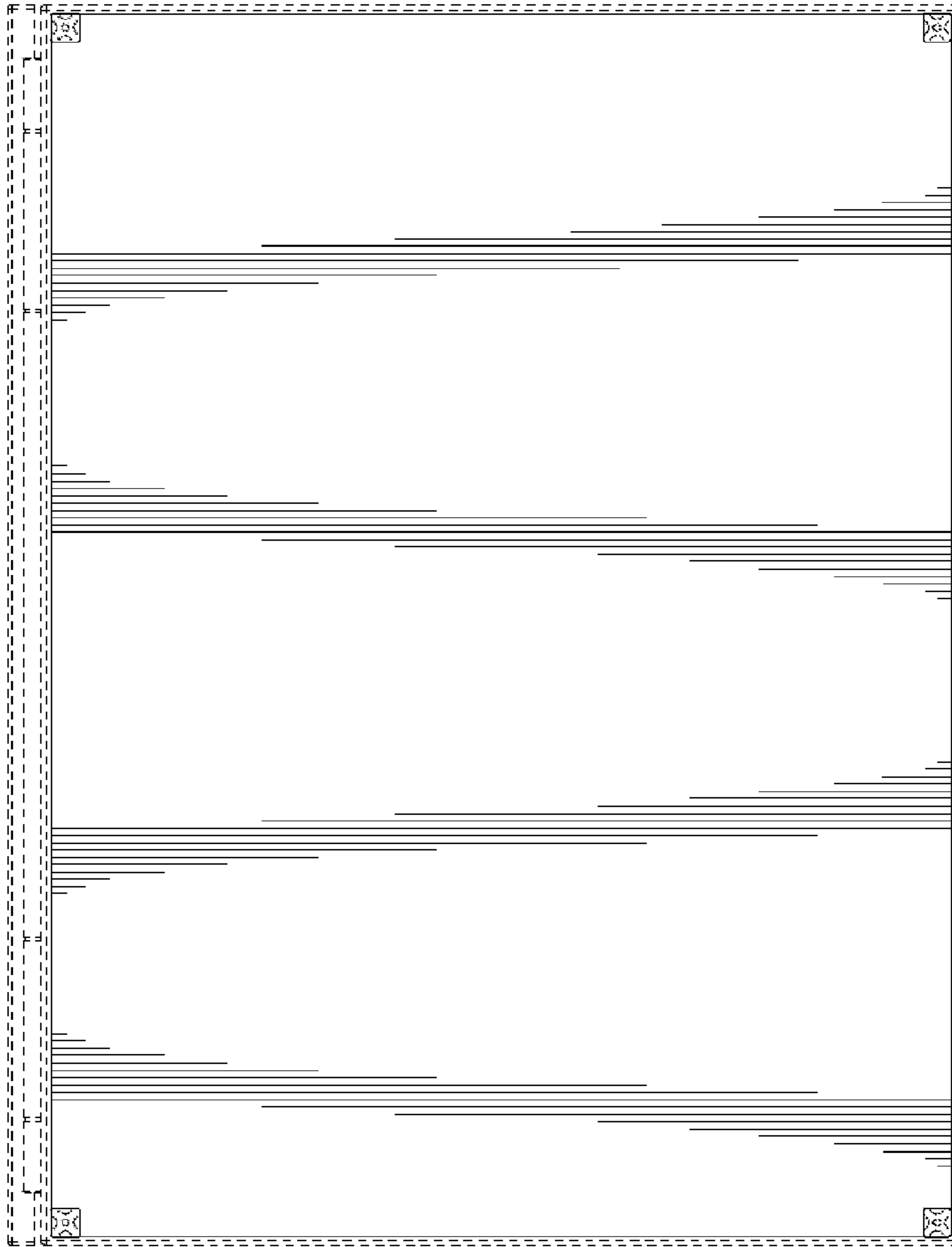


FIG. 14

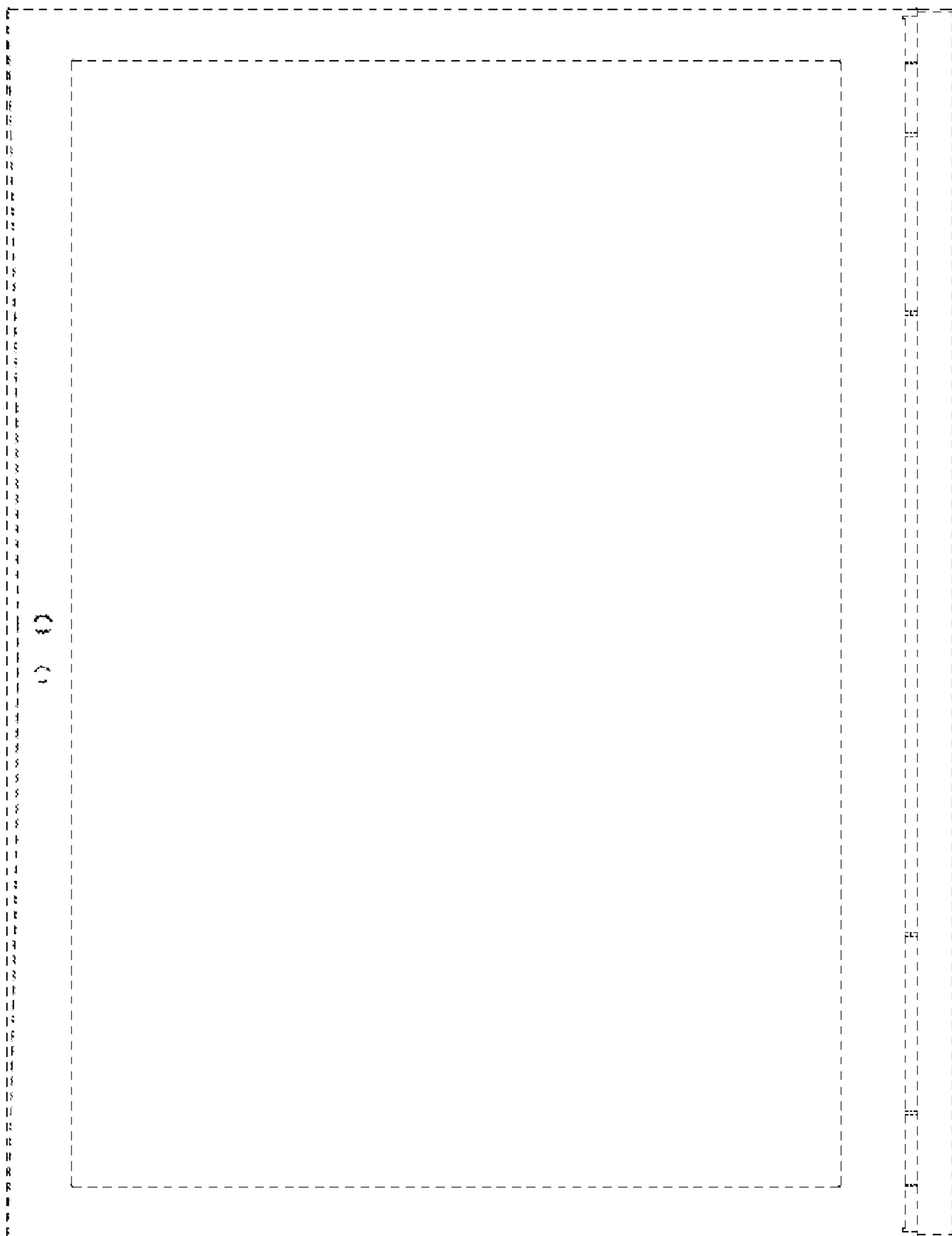


FIG. 15

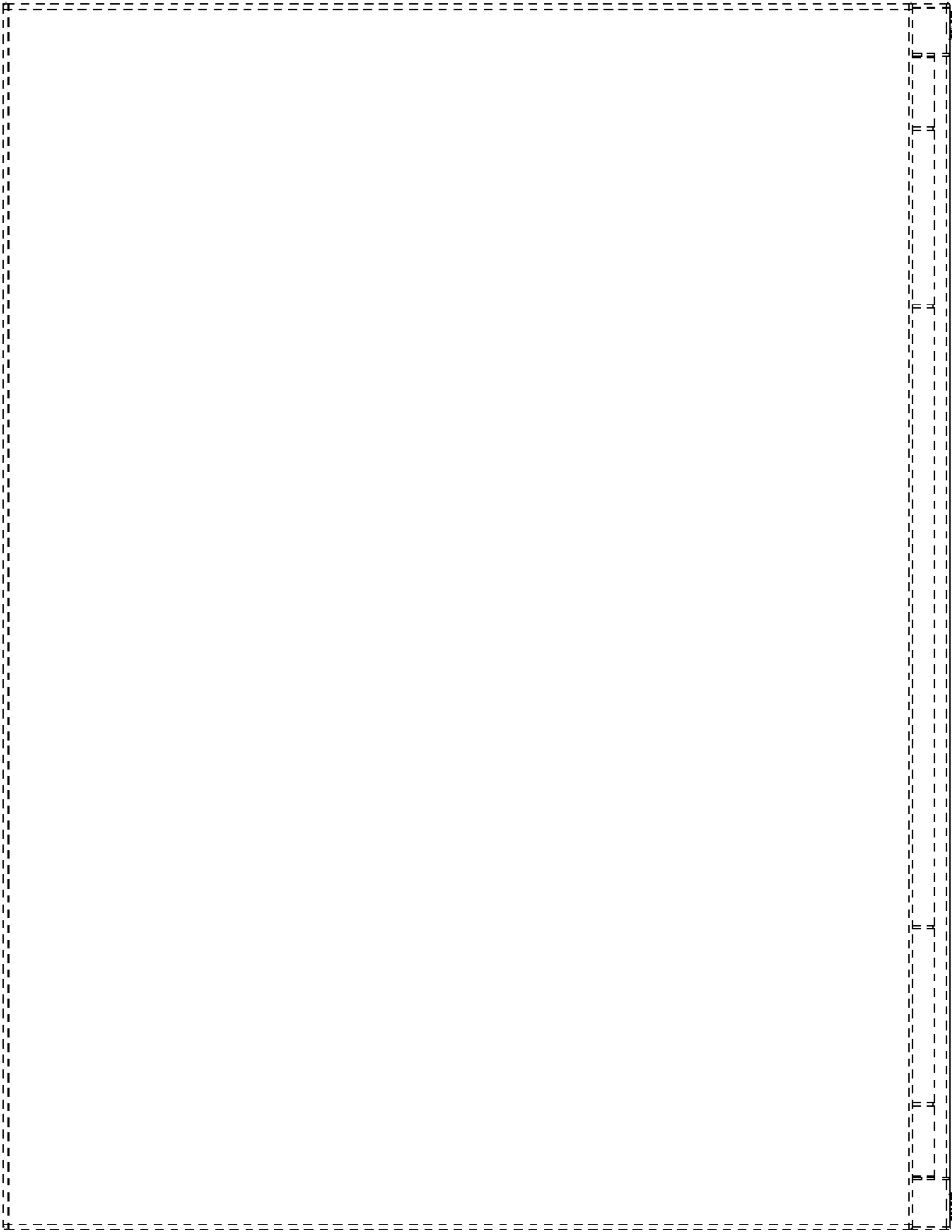


FIG. 16

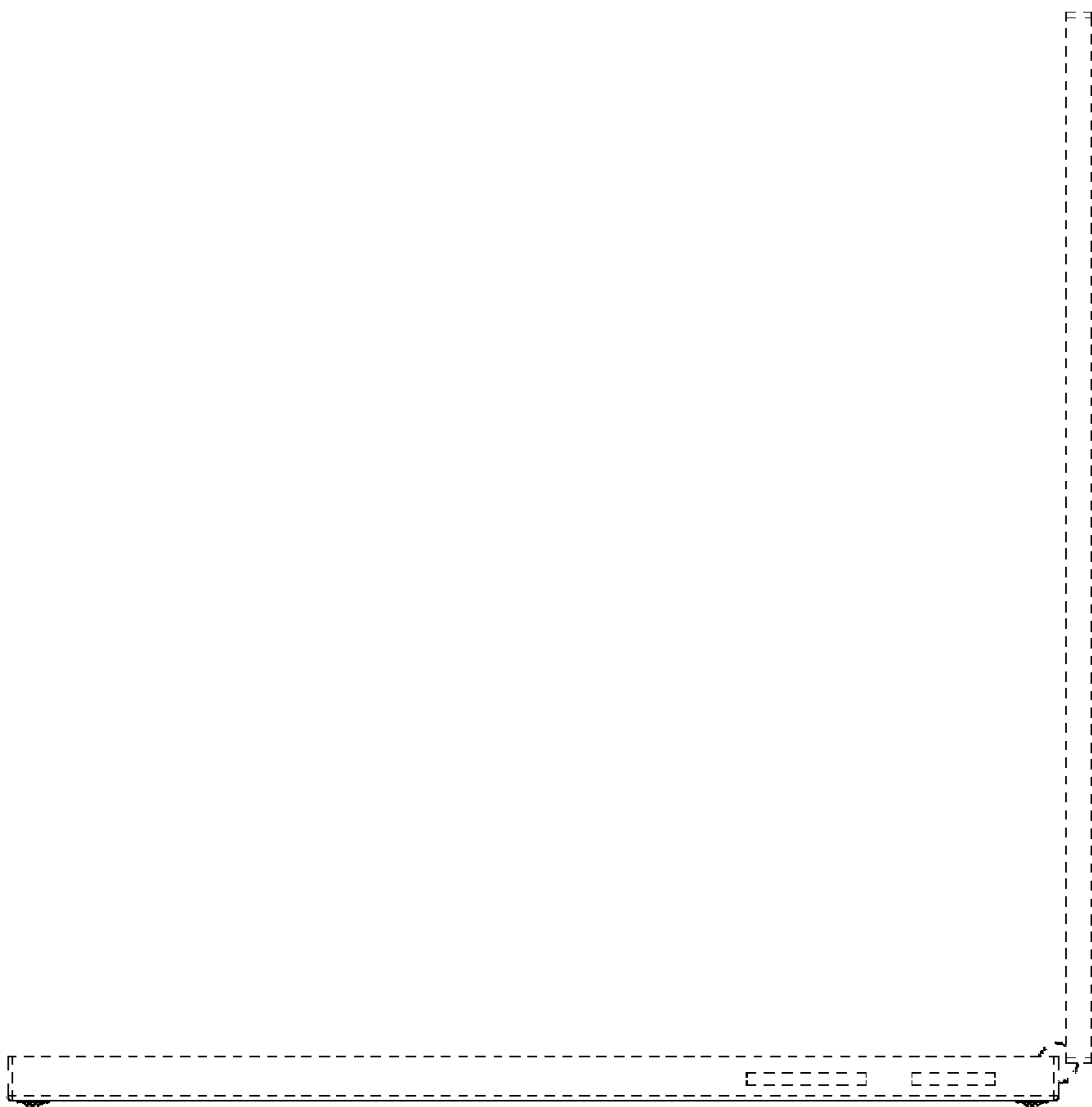


FIG. 17

