



US00D684963S

(12) **United States Design Patent**
Goodrich

(10) **Patent No.:** **US D684,963 S**

(45) **Date of Patent:** **** Jun. 25, 2013**

(54) **CELLULAR PHONE HOLDER**

(76) Inventor: **Scott Goodrich**, Dallas, TX (US)

(**) Term: **14 Years**

(21) Appl. No.: **29/428,346**

(22) Filed: **Jul. 30, 2012**

Related U.S. Application Data

(62) Division of application No. 29/385,075, filed on Feb. 8, 2011, now Pat. No. Des. 667,004.

(51) **LOC (9) Cl.** **14-03**

(52) **U.S. Cl.**
USPC **D14/253**

(58) **Field of Classification Search**
USPC D14/144, 147-149, 217, 240, 251-253,
D14/432, 434, 447, 451-452, 454, 457, 496;
379/426, 446, 454, 455; D13/107-108;
D16/242; D21/333; 320/115; 455/575.1;
D6/300, 310, 466; D10/74; 439/529
See application file for complete search history.

(56) **References Cited**

U.S. PATENT DOCUMENTS

D46,314 S *	8/1914	Levy	D6/310
D279,185 S *	6/1985	Felix et al.	D14/251
6,386,500 B1 *	5/2002	Dainoff et al.	248/451
6,438,229 B1 *	8/2002	Overy et al.	379/446
6,483,698 B1 *	11/2002	Loh	361/679.41
D468,542 S *	1/2003	Hennekes et al.	D6/310
D520,013 S *	5/2006	Yang	D14/434
D554,115 S *	10/2007	Liu et al.	D14/253
D554,116 S *	10/2007	Liu et al.	D14/253
D584,731 S *	1/2009	Montgomery et al.	D14/434
D608,351 S *	1/2010	Song	D14/217
D610,084 S *	2/2010	Christopher	D13/107
D628,562 S *	12/2010	Akana et al.	D14/217
D635,918 S *	4/2011	Le et al.	D13/108

D642,519 S *	8/2011	Woo et al.	D13/108
D646,268 S *	10/2011	DeLorenzo et al.	D14/253
D646,904 S *	10/2011	Feldstein et al.	D6/310
D665,812 S *	8/2012	Huang et al.	D14/447
D667,004 S *	9/2012	Goodrich	D14/253
2003/0001064 A1 *	1/2003	Book	248/460

OTHER PUBLICATIONS

SharperBrand Kickstand Promotional Cell Phone Holder ,
<URL:http://www.sharperbrand.com/products/image_gallery/
1712047>, retrieved from internet on Nov. 6, 2012.*

Acrylic Mobile Phone Holder, <URL:http://www.aliexpress.com/
item-img/Wholesale-new-style-lovely-mini-mobile-phone-holder-
cellphone-holder-Acrylic-Mobile-Phone-Holder-mobile-display/
510766228.html>, retrieved from internet on Nov. 6, 2012.*

* cited by examiner

Primary Examiner — Carla Jobe Wright

(74) *Attorney, Agent, or Firm* — Bell Nunnally & Martin
LLP; Craig J. Cox

(57) **CLAIM**

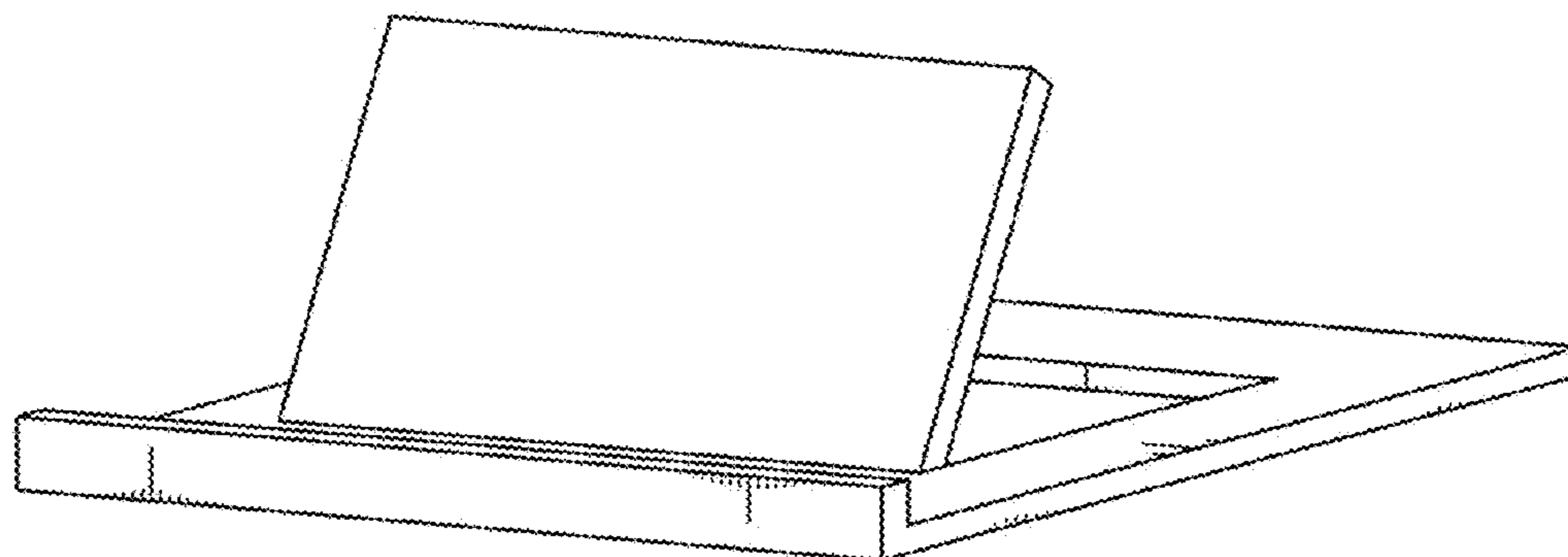
The ornamental design for a cellular phone holder, as shown
and described.

DESCRIPTION

FIG. 1 is a perspective view of a cellular phone holder;
FIG. 2 is a front view thereof;
FIG. 3 is a back view thereof;
FIG. 4 is a right side view thereof, the left side view being a
mirror image of the right side view;
FIG. 5 is a top view thereof; and,
FIG. 6 is a bottom view thereof.

In the drawings, the broken lines in FIG. 6 represent a bound-
ary of the claimed design. The broken lines and the unshaded
surface bounded by broken lines form no part of the claimed
design.

1 Claim, 2 Drawing Sheets



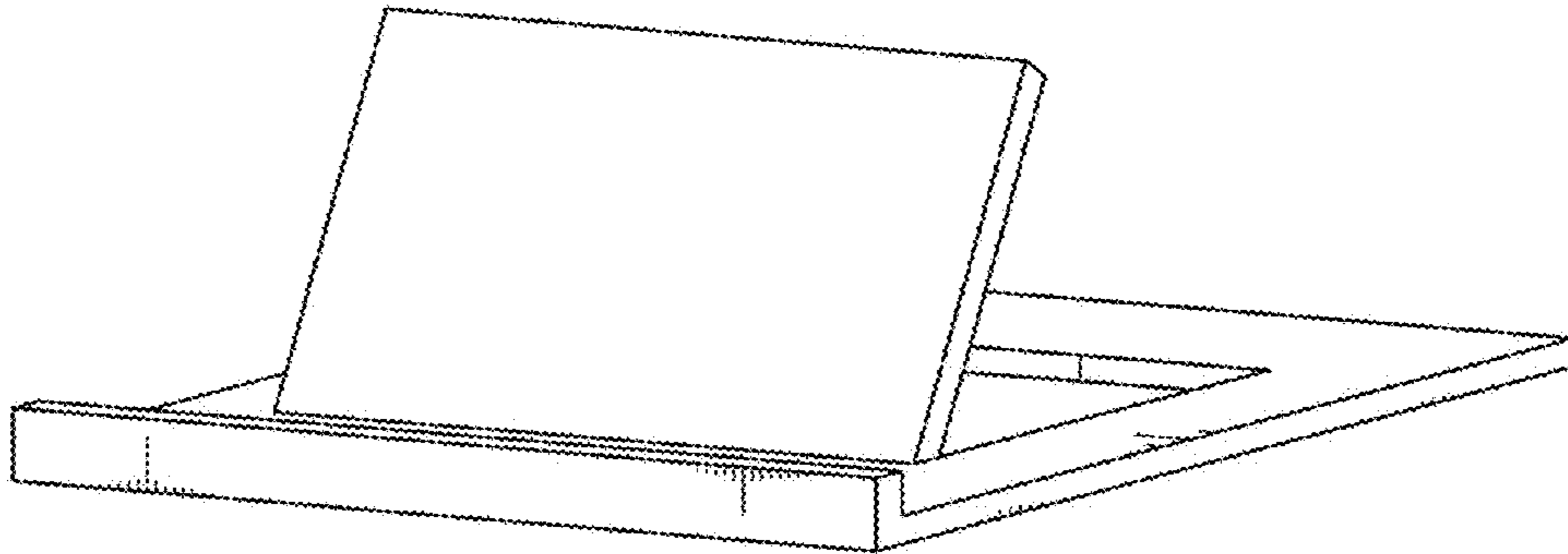


FIG. 1

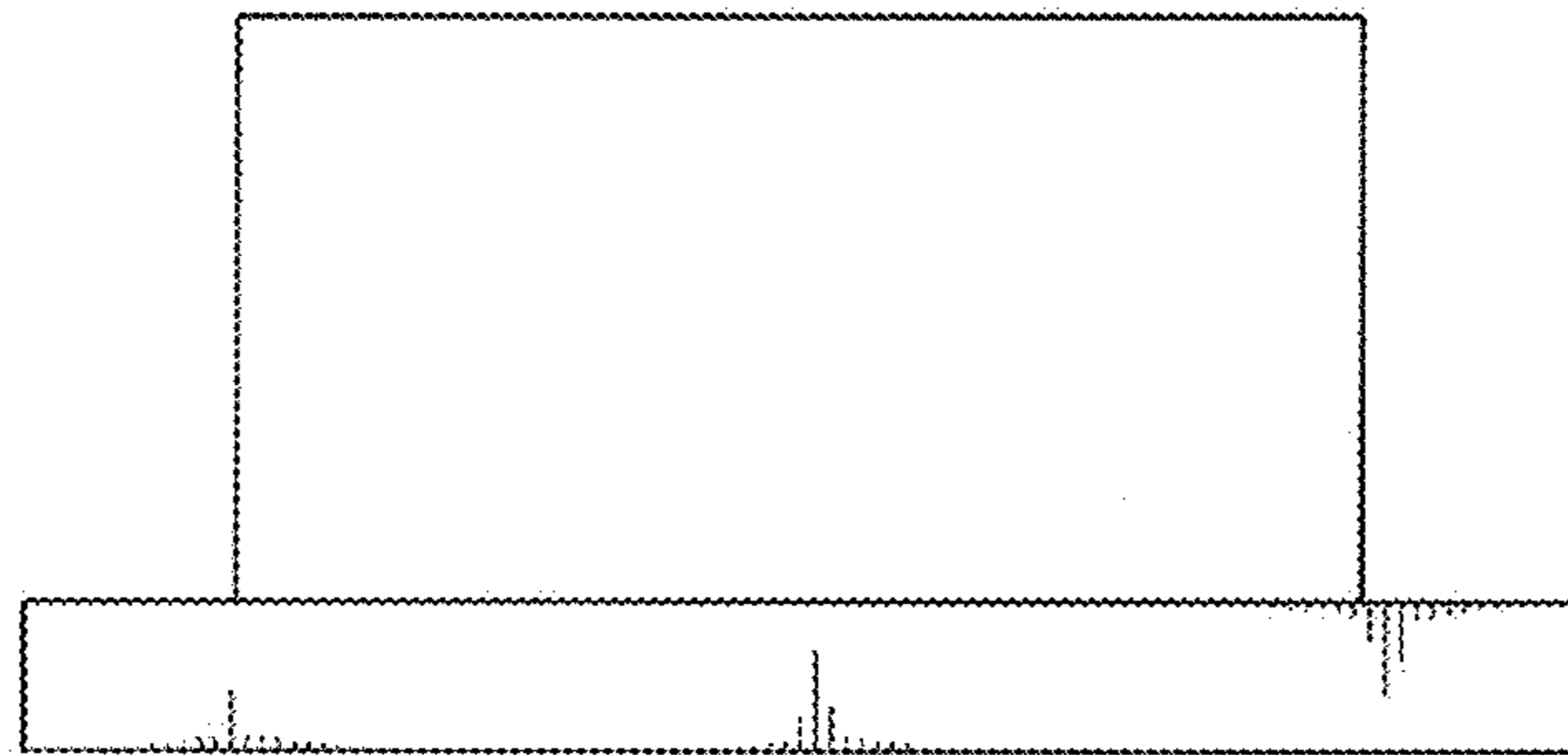


FIG. 2

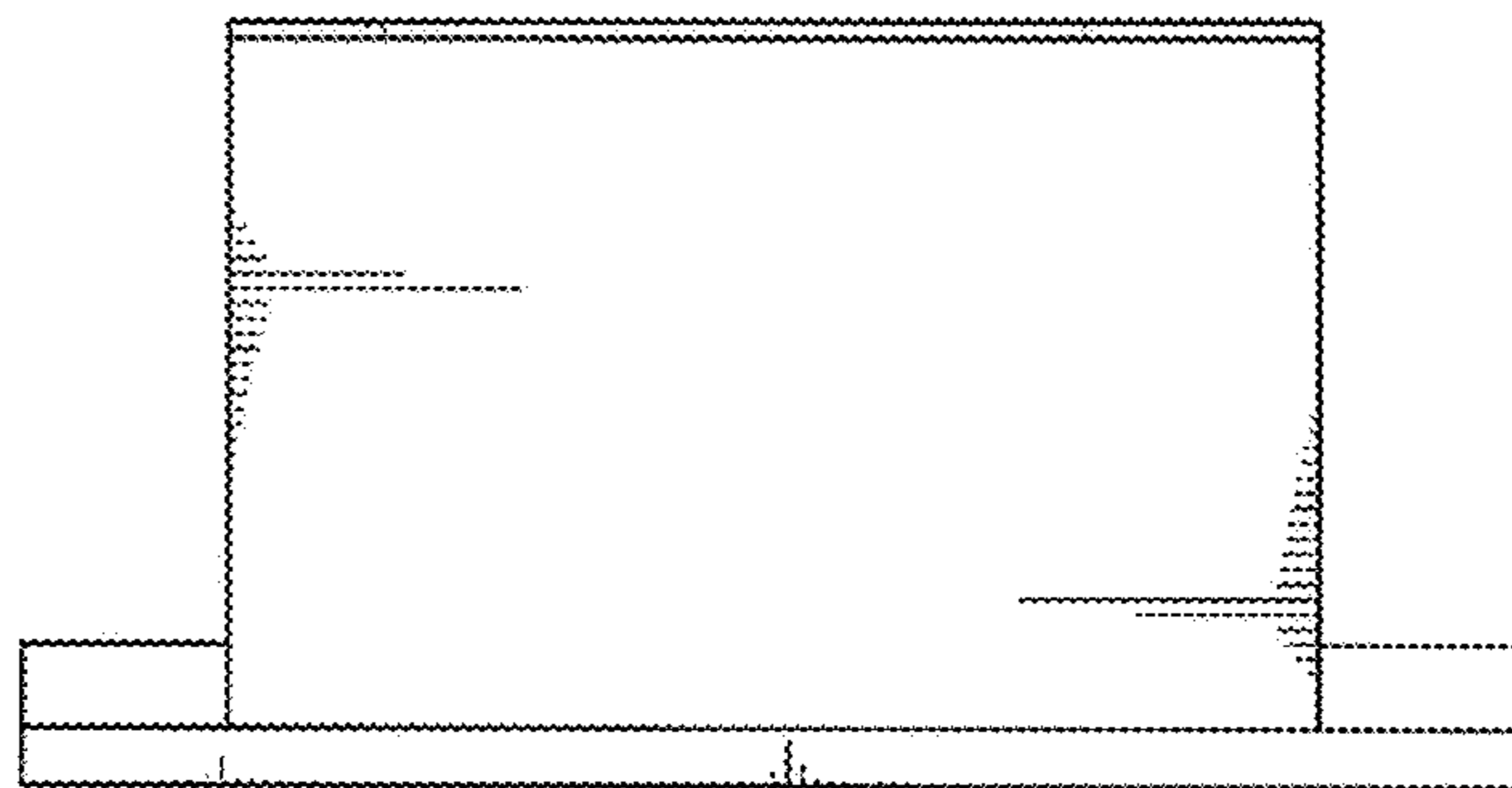


FIG. 3

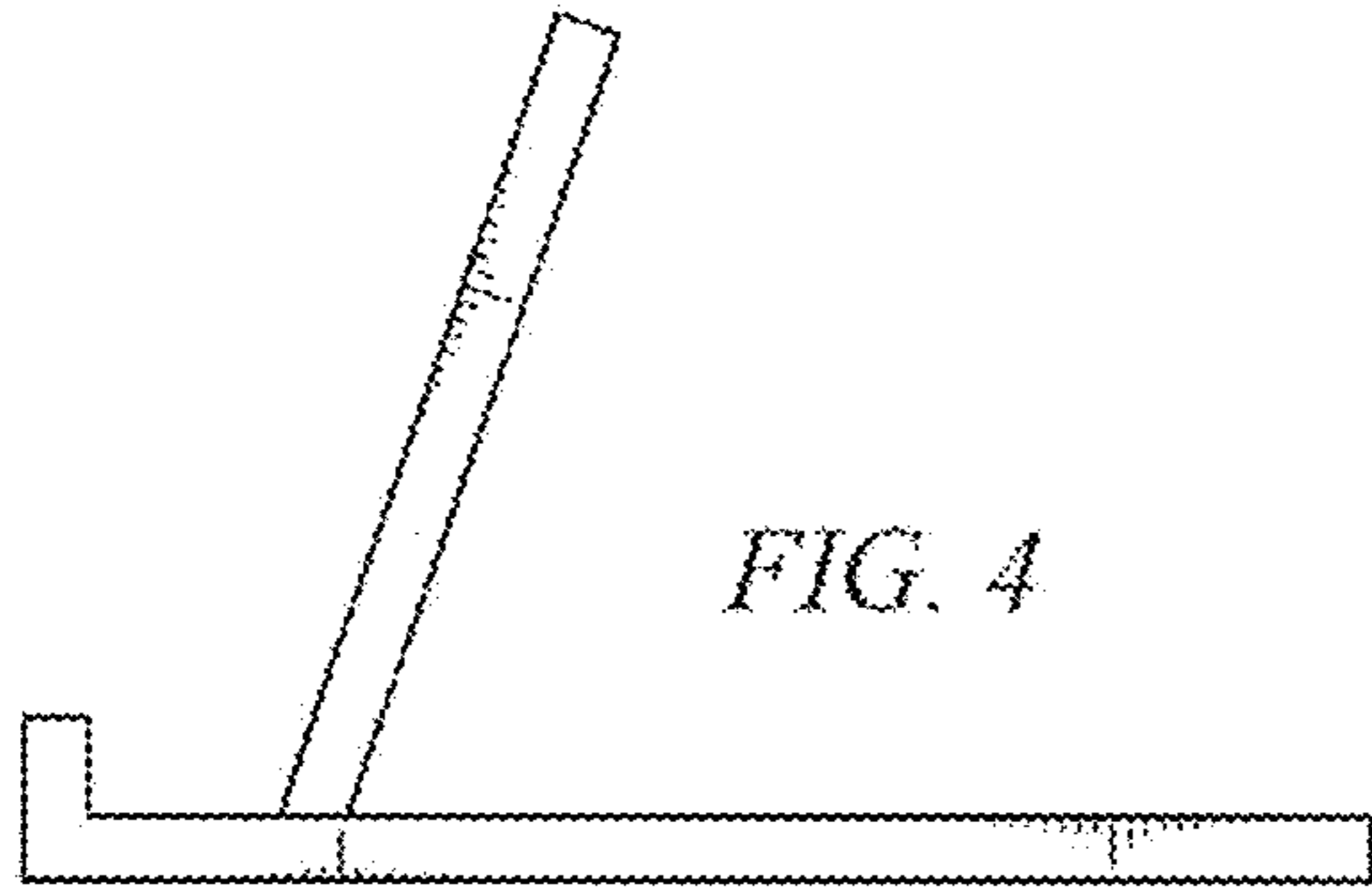


FIG. 4

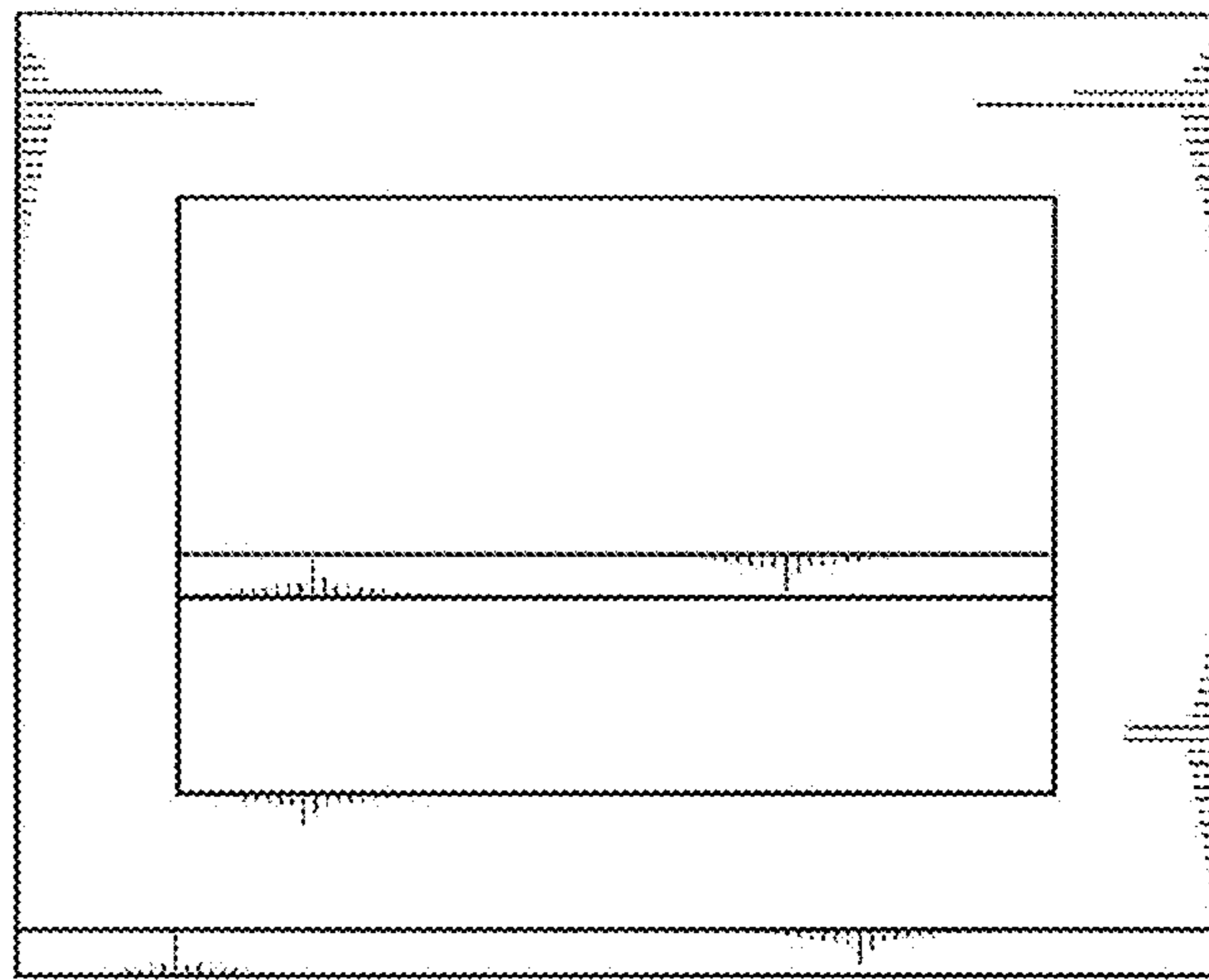


FIG. 5

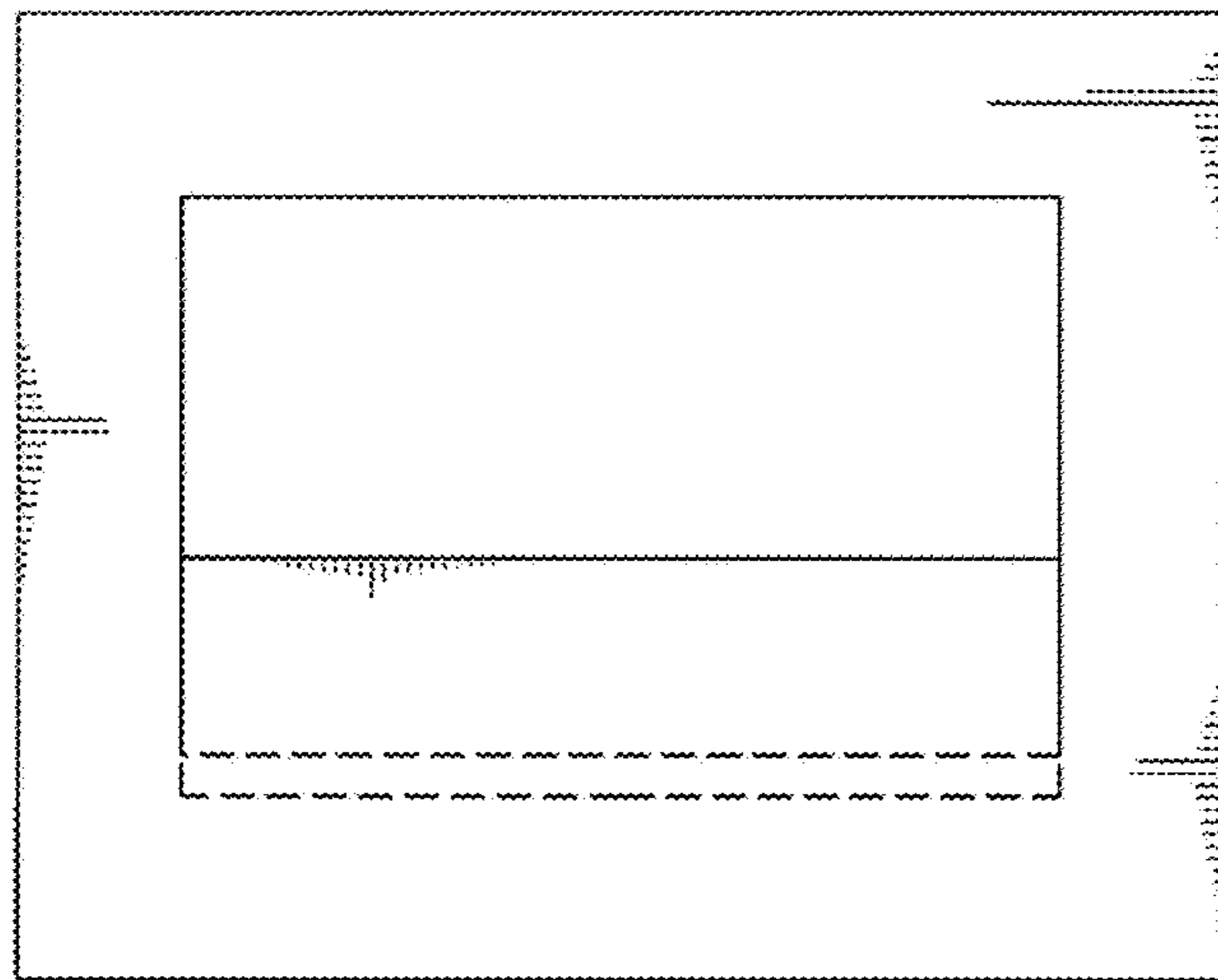


FIG. 6