



US00D684955S

(12) **United States Design Patent**  
**Deck et al.**

(10) **Patent No.:** **US D684,955 S**

(45) **Date of Patent:** **\*\* Jun. 25, 2013**

(54) **REMOTE INPUT OUTPUT LOW END COMMUNICATION MODULE**

(75) Inventors: **Bernhard Deck**, Weilheim (DE); **Vijay Shah**, Vadodara (IN)

(73) Assignee: **ABB Technology Ltd**, Zurich (CH)

(\*\*) Term: **14 Years**

(21) Appl. No.: **29/407,584**

(22) Filed: **Nov. 30, 2011**

(30) **Foreign Application Priority Data**

Jun. 10, 2011 (IN) ..... 237209

(51) **LOC (9) Cl.** ..... **14-03**

(52) **U.S. Cl.**  
USPC ..... **D14/240**; D13/110

(58) **Field of Classification Search**  
USPC ..... D14/240, 242, 357, 358, 140-140.9,  
D14/155, 137, 139, 243, 348, 349, 351, 354,  
D14/355; 375/222; 455/557; 725/111  
See application file for complete search history.

(56) **References Cited**

U.S. PATENT DOCUMENTS

- D326,267 S \* 5/1992 Weiser et al. .... D14/243
- D352,505 S \* 11/1994 Pullman et al. .... D14/140.4
- 5,483,229 A \* 1/1996 Tamura et al. .... 340/691.7
- D371,134 S \* 6/1996 Brosowske et al. .... D14/140.2
- D372,247 S \* 7/1996 Beaumont ..... D14/140.3
- 5,544,222 A \* 8/1996 Robinson et al. .... 455/557

- 5,737,397 A \* 4/1998 Skinner et al. .... 379/93.29
- D465,782 S \* 11/2002 Johnsen et al. .... D14/140.4
- D466,111 S \* 11/2002 Johnsen ..... D14/140.4
- D529,892 S \* 10/2006 Weidinger ..... D14/140.1
- D622,672 S \* 8/2010 Wu et al. .... D13/162
- 2011/0170579 A1 \* 7/2011 Halverson et al. .... 375/222

\* cited by examiner

*Primary Examiner* — Bridget L Eland

(74) *Attorney, Agent, or Firm* — Buchanan Ingersoll & Rooney PC

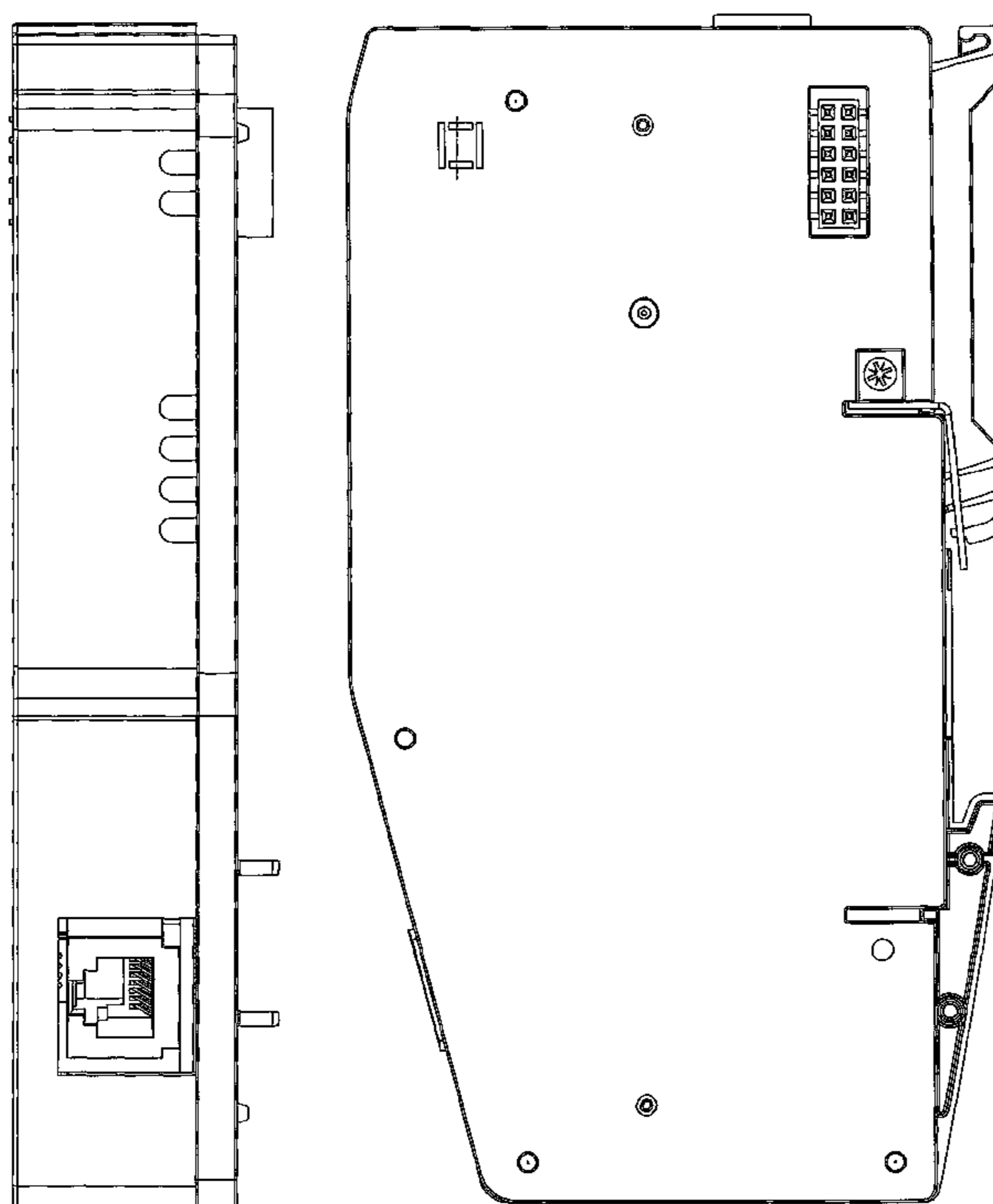
(57) **CLAIM**

The ornamental design for a remote input output low end communication module, as shown and described.

**DESCRIPTION**

FIG. 1 is a right side perspective view of a remote input output low end communication module according to our new design. FIG. 2 is a left perspective view thereof. FIG. 3 is a front perspective view thereof. FIG. 4 is a rear perspective view thereof. FIG. 5 is a top perspective view thereof. FIG. 6 is a bottom perspective view thereof. FIG. 7 is a front elevational view thereof. FIG. 8 is a rear elevational view thereof. FIG. 9 is a top plan view thereof. FIG. 10 is a bottom plan view thereof. FIG. 11 is a left side elevational view thereof; and, FIG. 12 is a right side elevational view thereof. The wireframe lines shown throughout the views are intended to indicate surface contour and are not intended to be surface ornamentation.

**1 Claim, 12 Drawing Sheets**



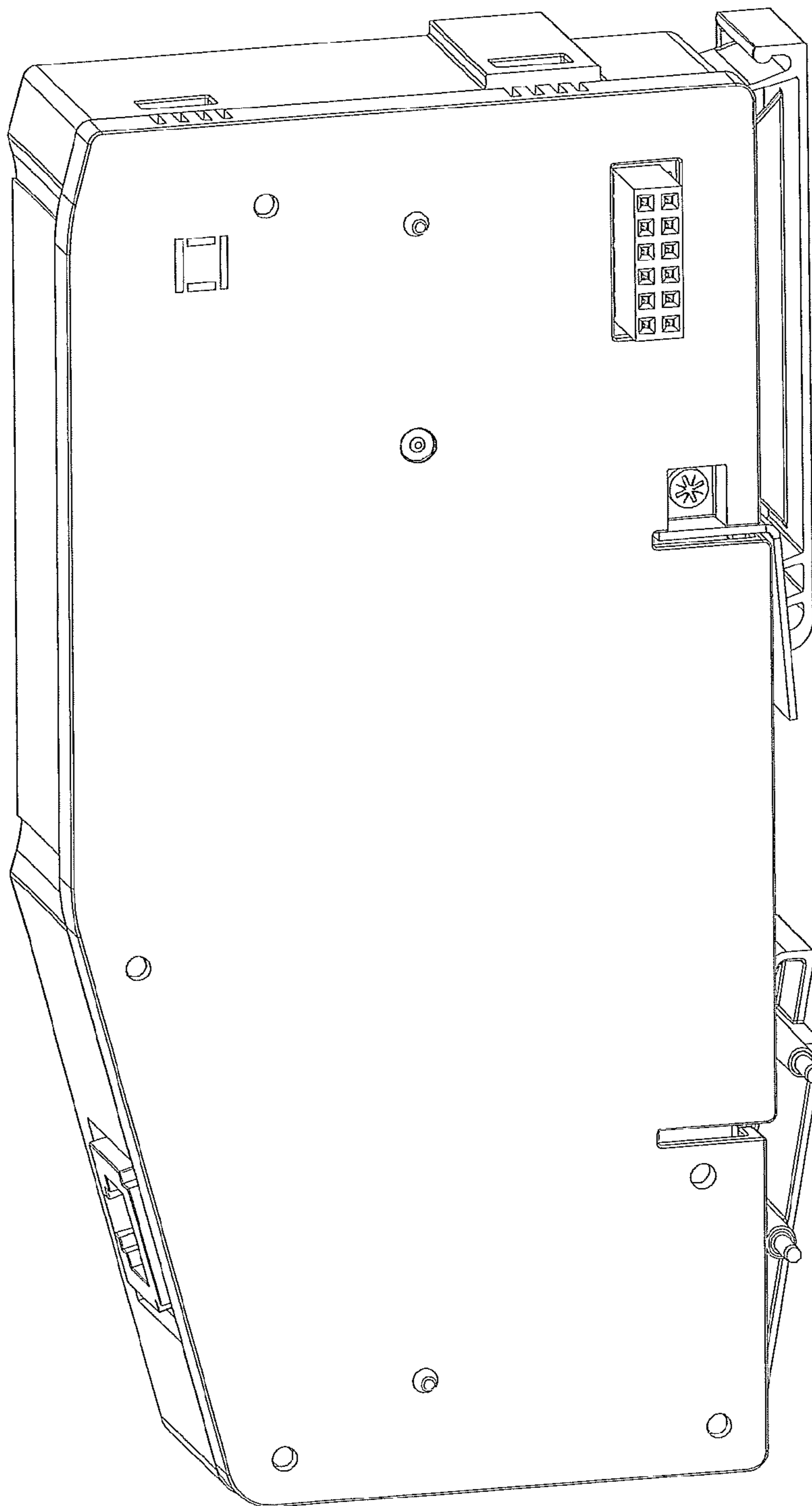


FIG. 1

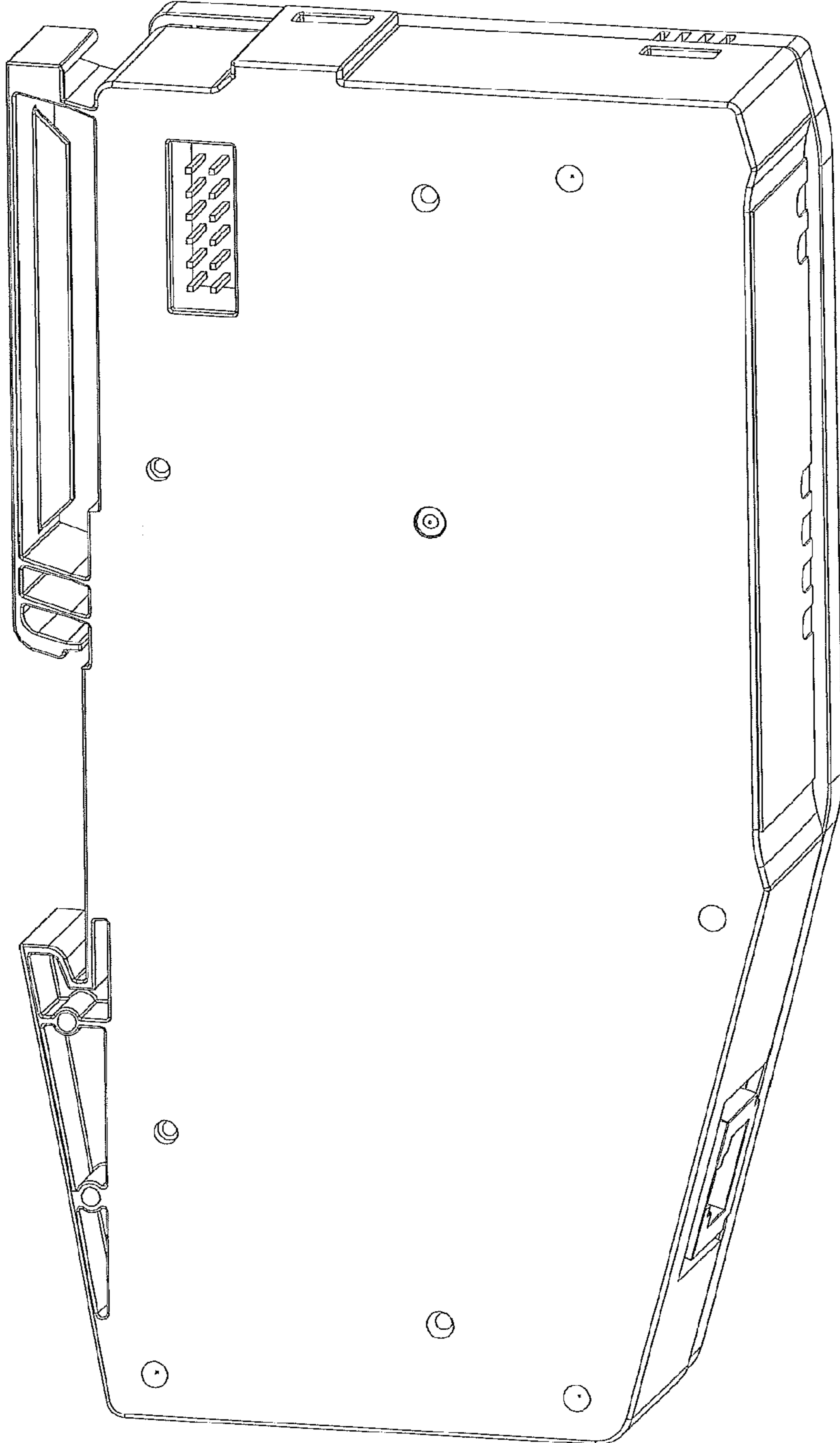


FIG. 2

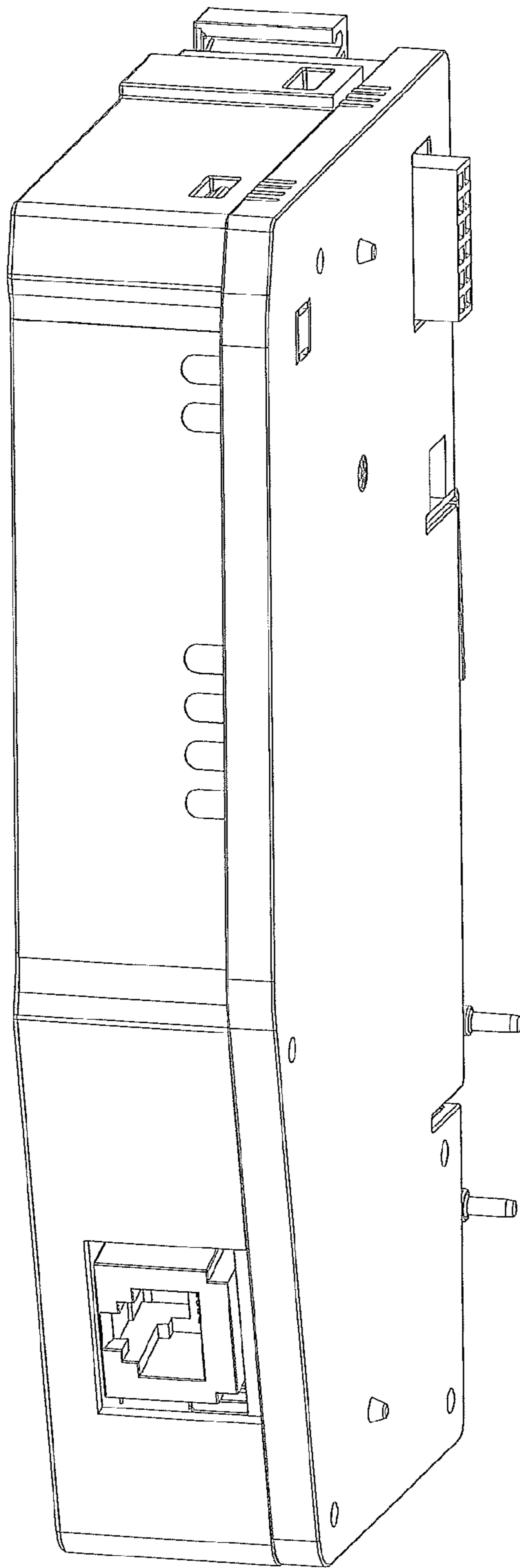


FIG. 3

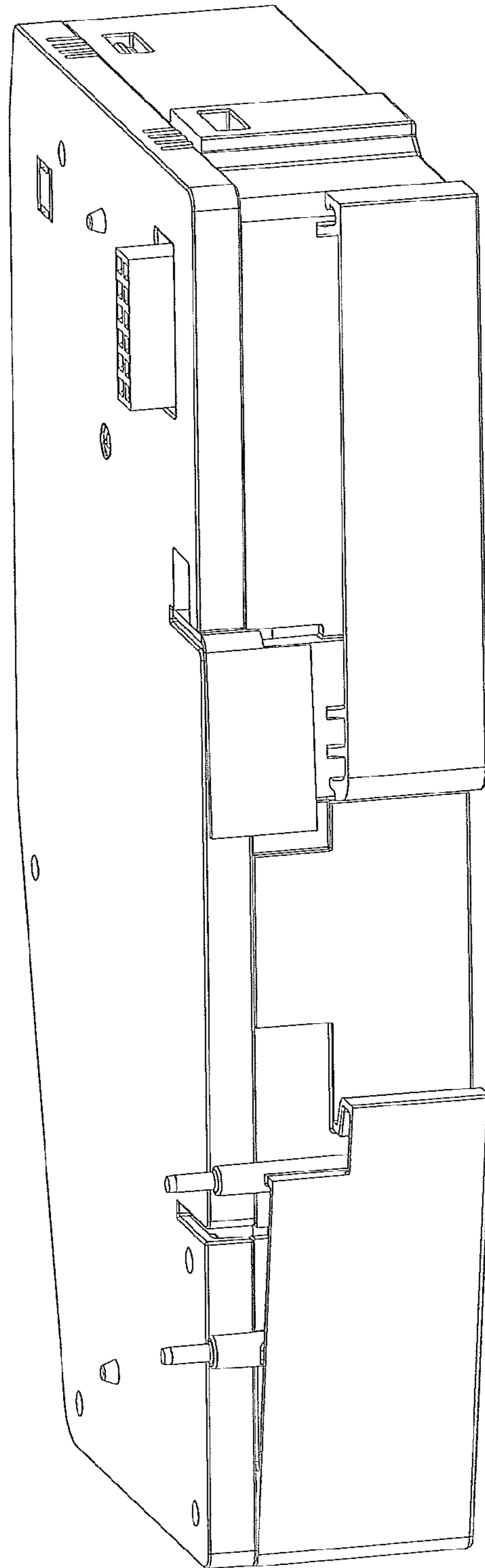


FIG. 4

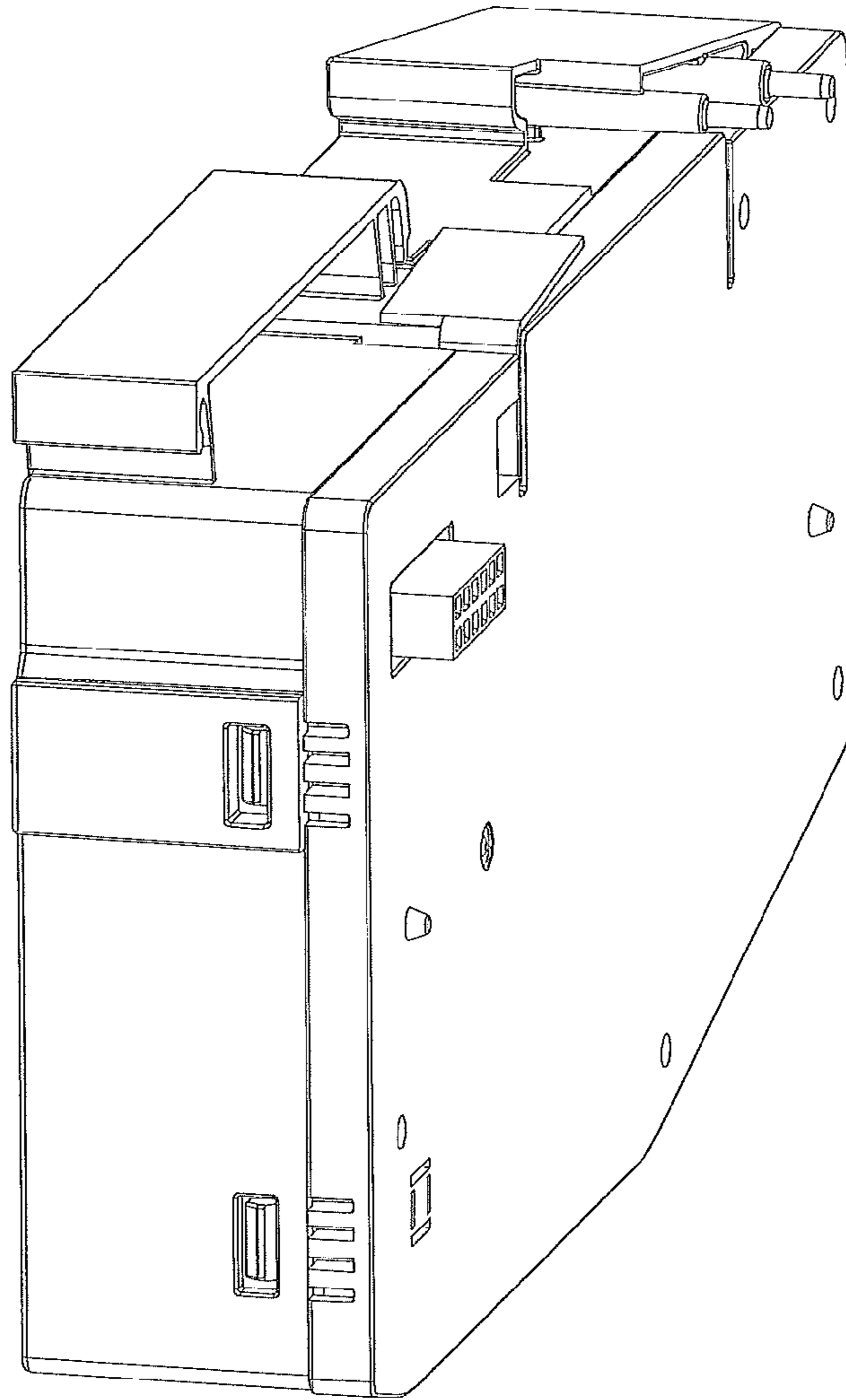


FIG. 5

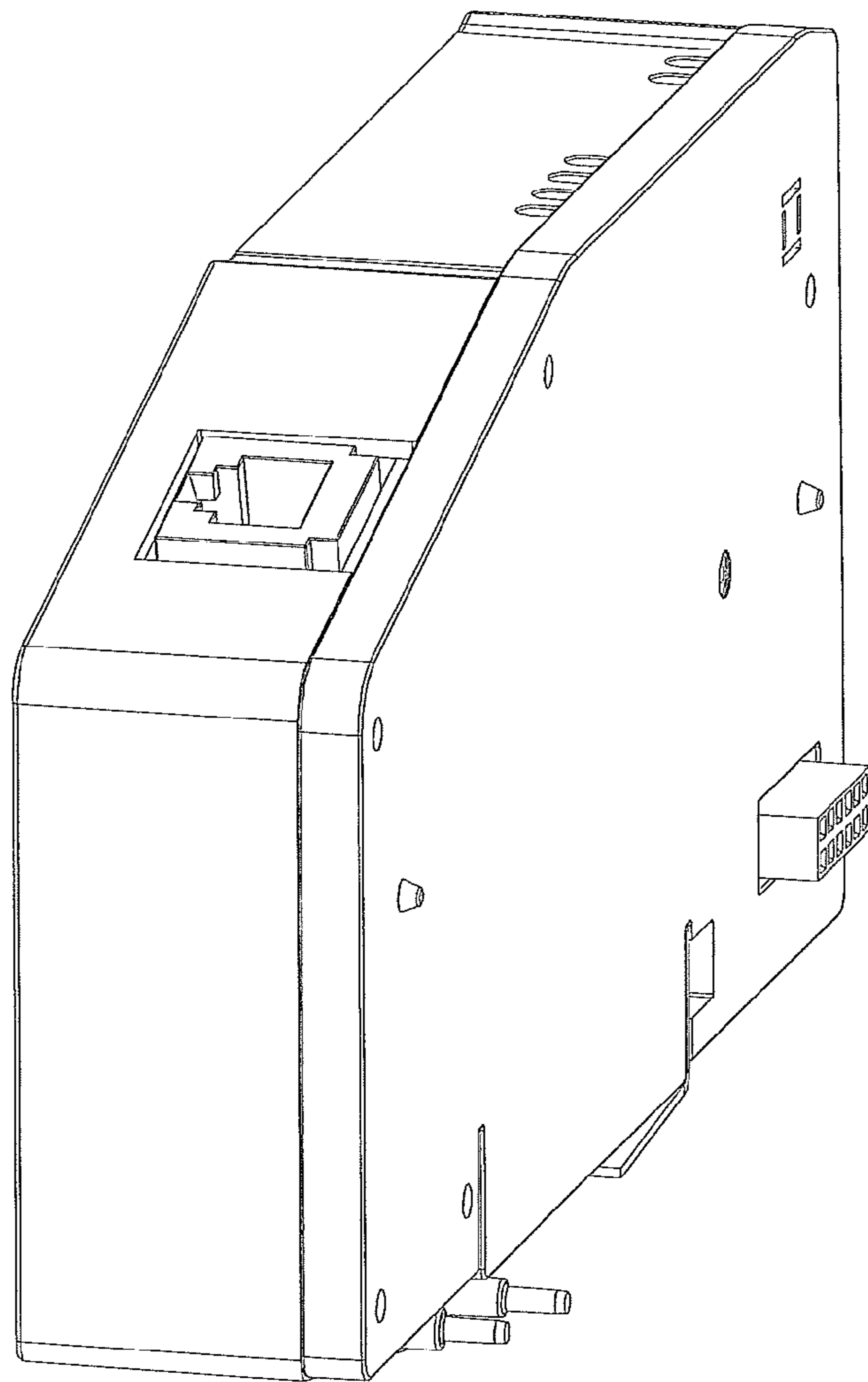


FIG. 6

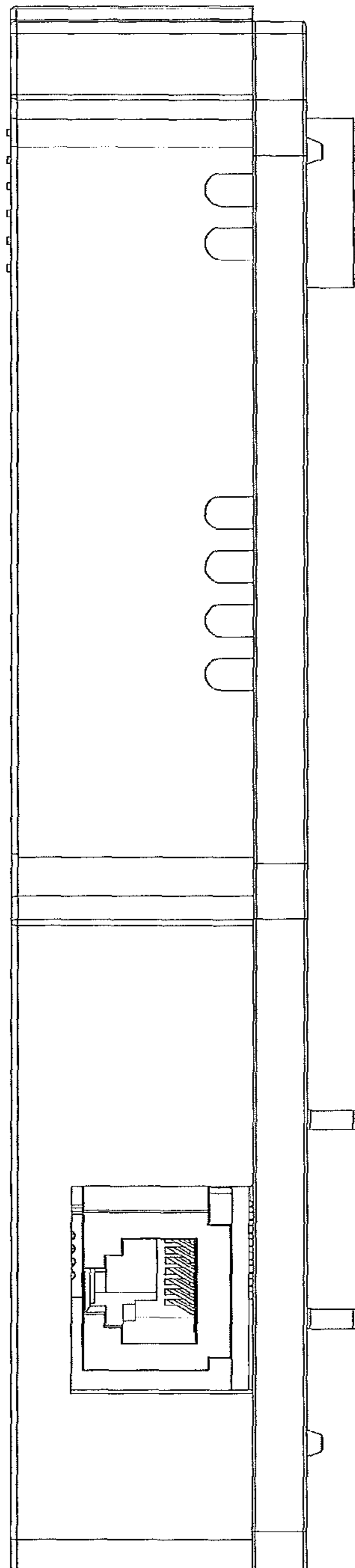


FIG. 7



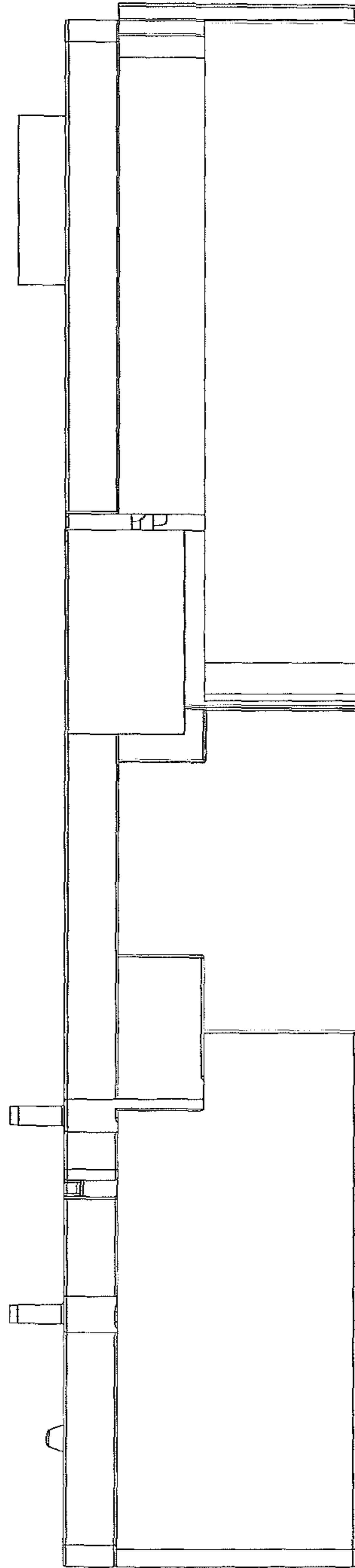


FIG. 8

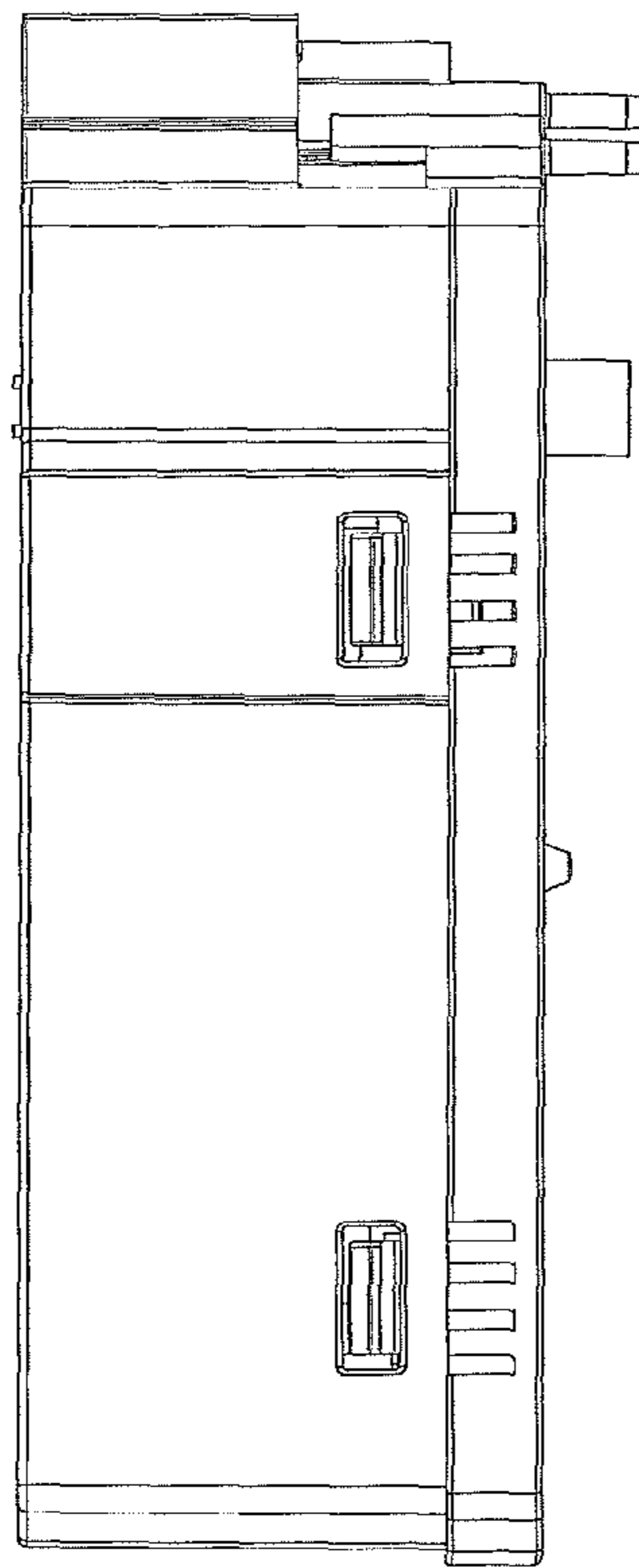


FIG. 9

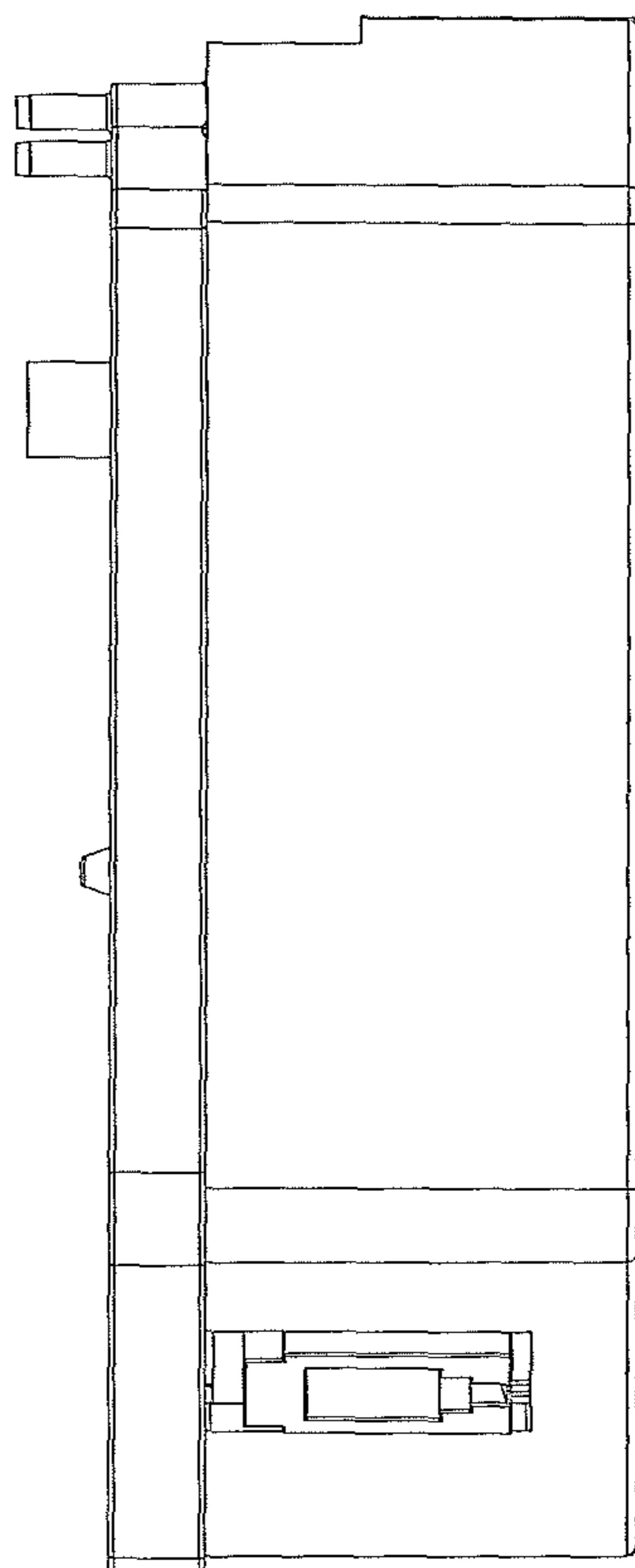


FIG. 10

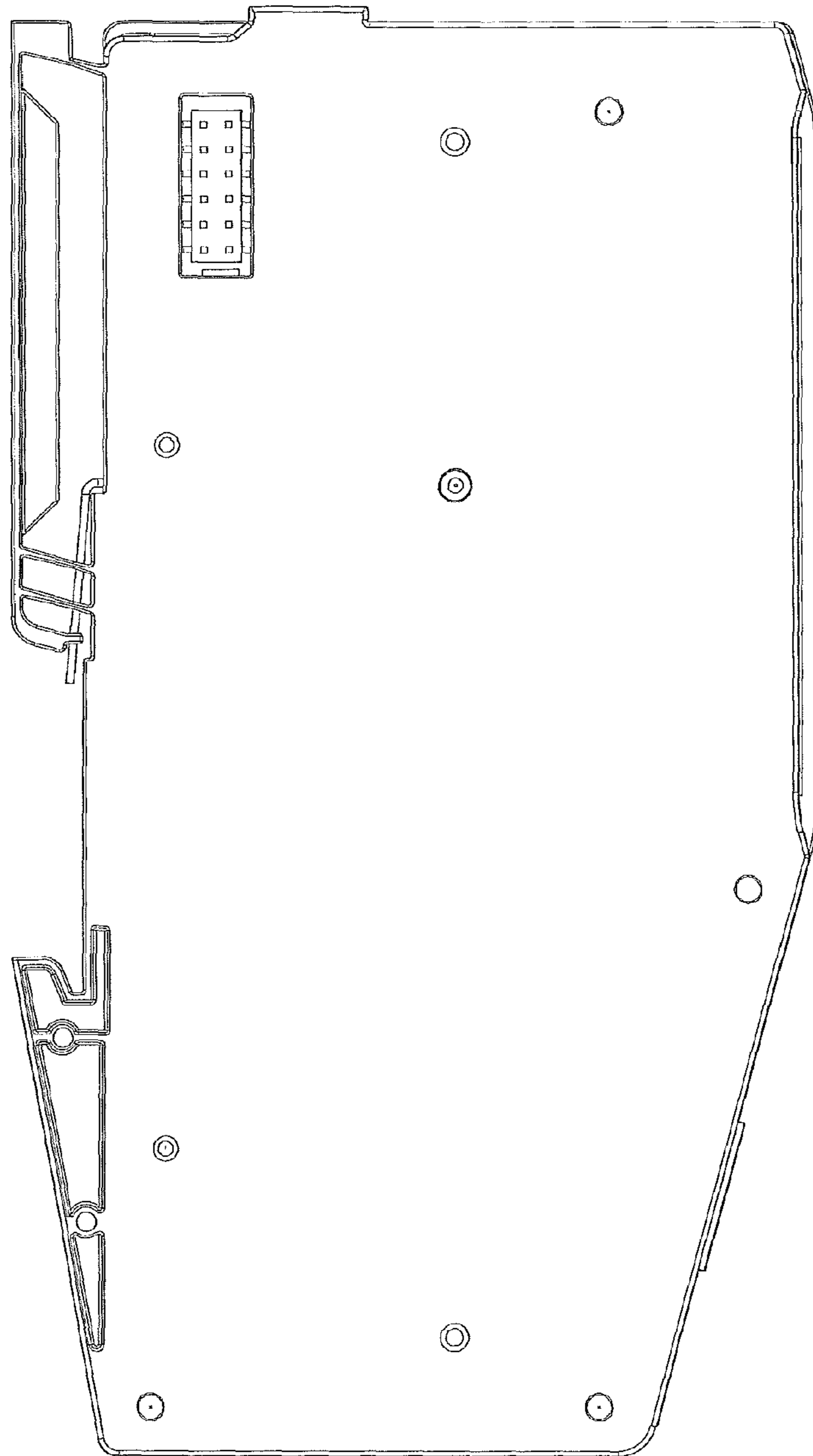


FIG. 11

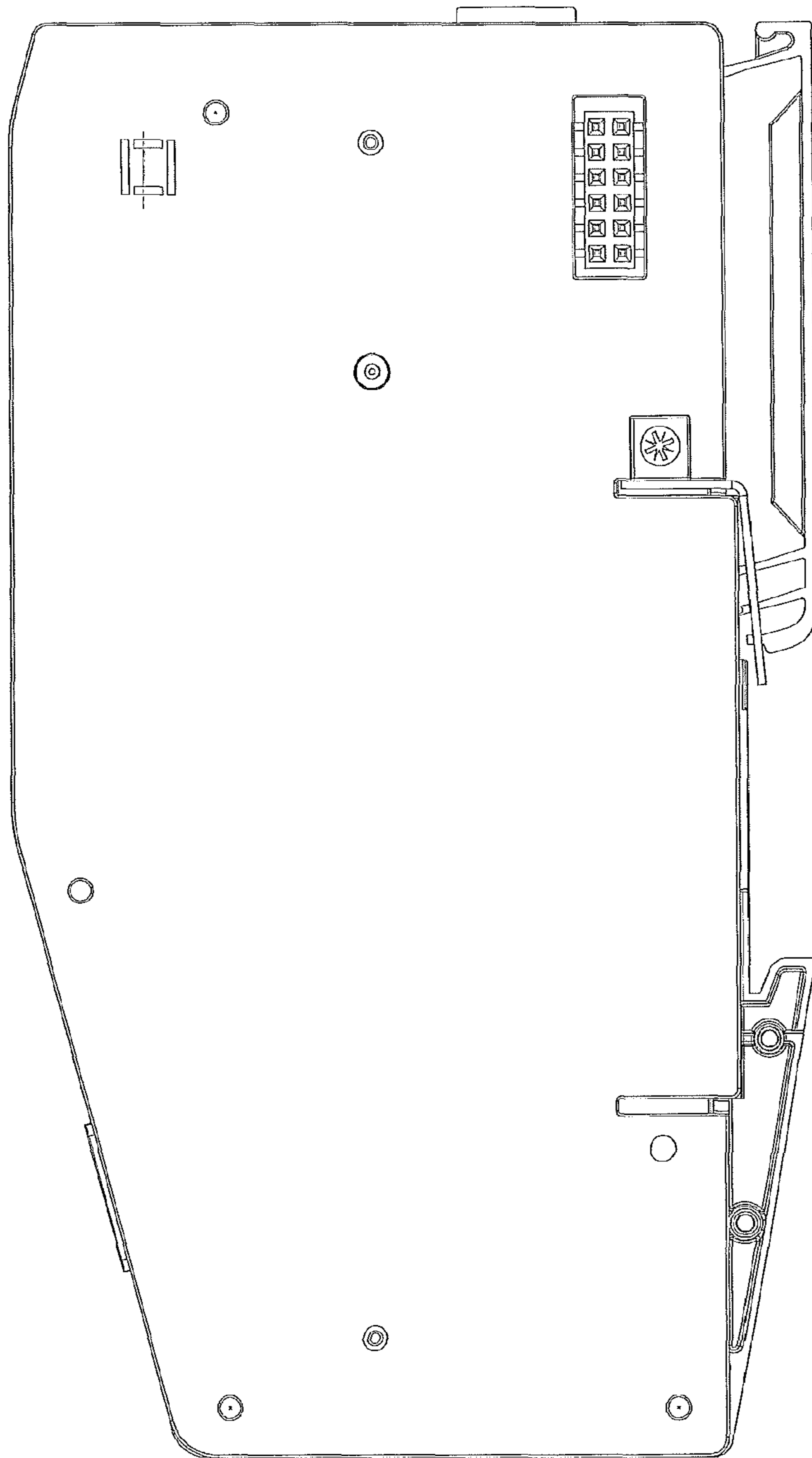


FIG. 12