



US00D684952S

(12) **United States Design Patent**
Iijima

(10) **Patent No.:** **US D684,952 S**
(45) **Date of Patent:** **** Jun. 25, 2013**

(54) **EARPHONE**

(75) Inventor: **Yoshimune Iijima**, Tokyo (JP)

(73) Assignee: **Sony Corporation**, Tokyo (JP)

(**) Term: **14 Years**

(21) Appl. No.: **29/421,268**

(22) Filed: **Jun. 22, 2012**

(30) **Foreign Application Priority Data**

Dec. 26, 2011 (CN) 2011 3 0498900

(51) **LOC (9) Cl.** **14-01**

(52) **U.S. Cl.**
USPC **D14/223**

(58) **Field of Classification Search**
USPC D14/223, 205, 215, 216, 217, 218,
D14/219; D29/122, 117.2, 120.1; 2/16;
379/430, 431; 381/380, 381; 455/90.3, 575.1;
428/134, 195.1; 52/314; D5/54, 58, 59, 62
See application file for complete search history.

(56) **References Cited**

U.S. PATENT DOCUMENTS

3,363,349	A *	1/1968	Nelson	40/391
D225,160	S *	11/1972	Thomas	D12/203
3,703,728	A *	11/1972	Saunders et al.	2/16
D337,119	S *	7/1993	Taniguchi	D14/223
D353,379	S *	12/1994	Nakamura et al.	D14/223
D369,349	S *	4/1996	Hayashi	D14/223
D405,424	S *	2/1999	Winkler et al.	D13/168

6,608,996	B1 *	8/2003	Laurikka et al.	455/90.3
6,660,362	B1 *	12/2003	Lindsay et al.	428/131
D487,077	S	2/2004	Obata		
D533,868	S	12/2006	Koizumi		
D549,222	S	8/2007	Huang		
D582,387	S *	12/2008	Jung	D14/205
D582,398	S *	12/2008	Nam et al.	D14/223
D584,294	S *	1/2009	Nam et al.	D14/223
D610,571	S *	2/2010	Jha	D14/216
D664,948	S *	8/2012	Behar et al.	D14/223
D670,271	S *	11/2012	Tzeng	D14/216

* cited by examiner

Primary Examiner — Paula Greene

(74) *Attorney, Agent, or Firm* — Rader, Fishman & Grauer PLLC

(57) **CLAIM**

The ornamental design for an earphone, as shown and described.

DESCRIPTION

FIG. 1 is a perspective view of a first embodiment of an earphone showing my new design;
 FIG. 2 is a rear elevational view thereof;
 FIG. 3 is a left side elevational view thereof;
 FIG. 4 is a right side elevational view thereof; and
 FIG. 5 is a bottom plan view thereof.
 FIG. 6 is a cross sectional view along the line 6-6 of FIG. 2;
 and,
 FIG. 7 is an enlarged cross sectional view along the line 7-7 of FIG. 2.
 Portions shown as broken lines are for illustrative purposes only and form no part of the claimed design.

1 Claim, 7 Drawing Sheets

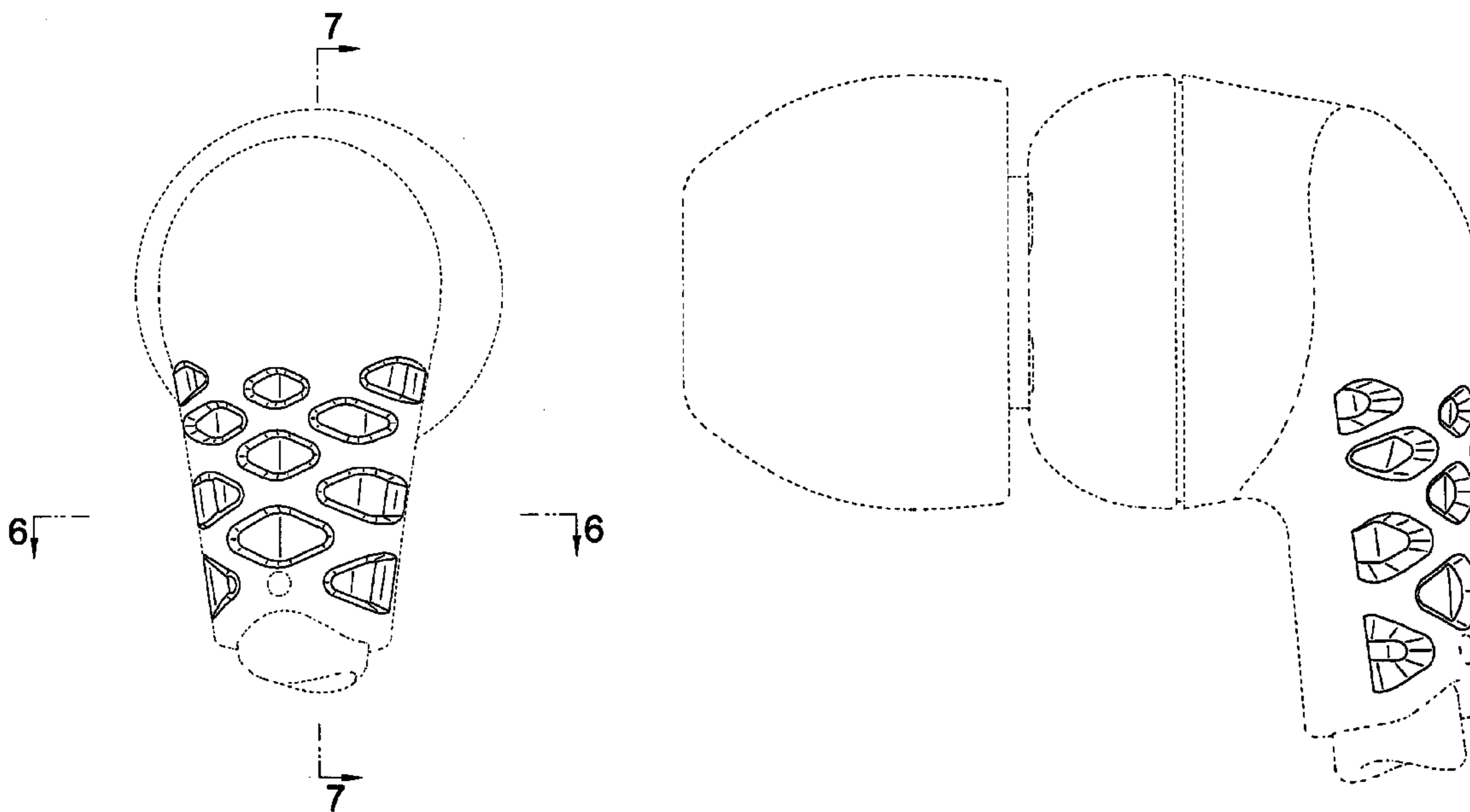


FIG.1

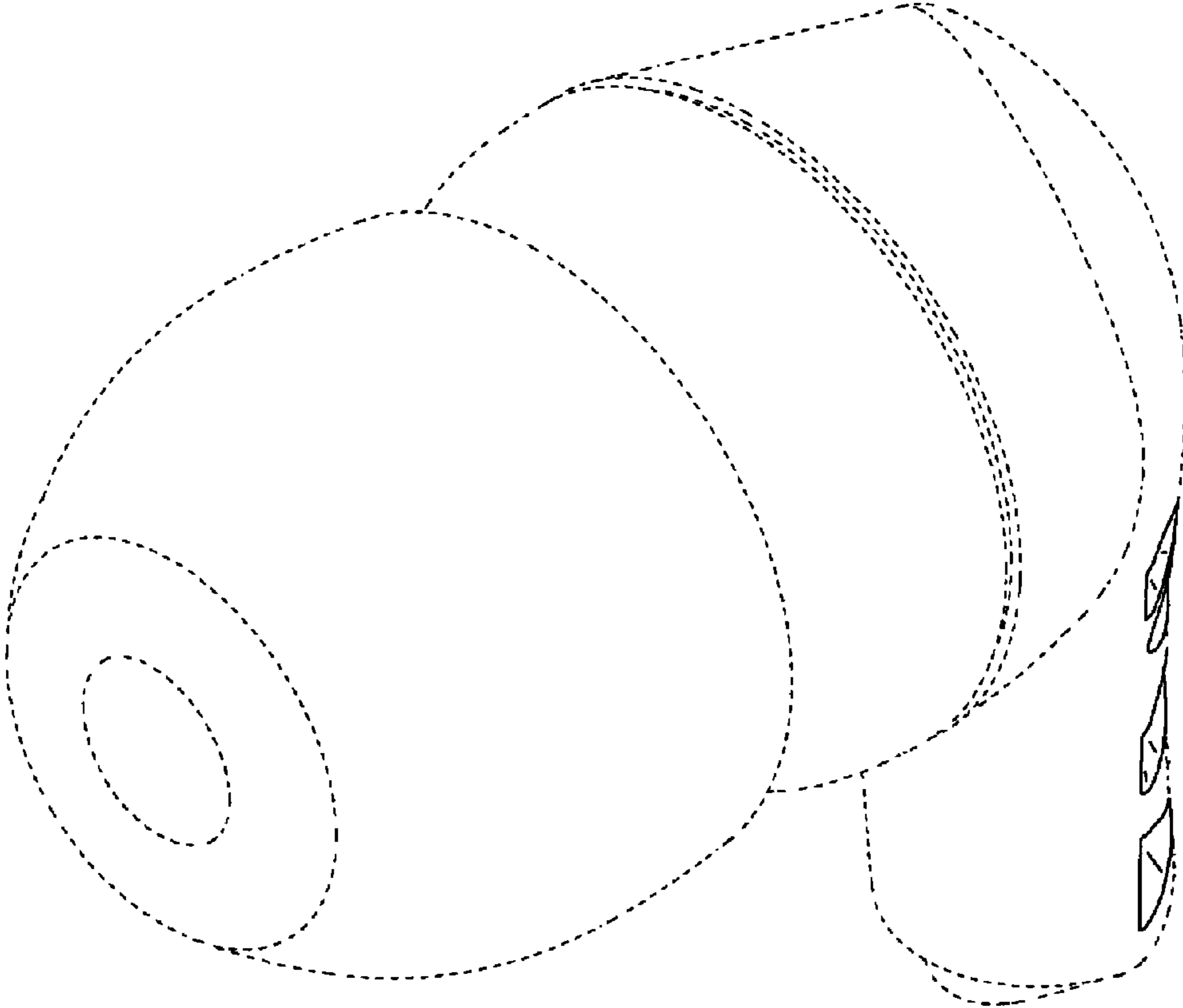


FIG.2

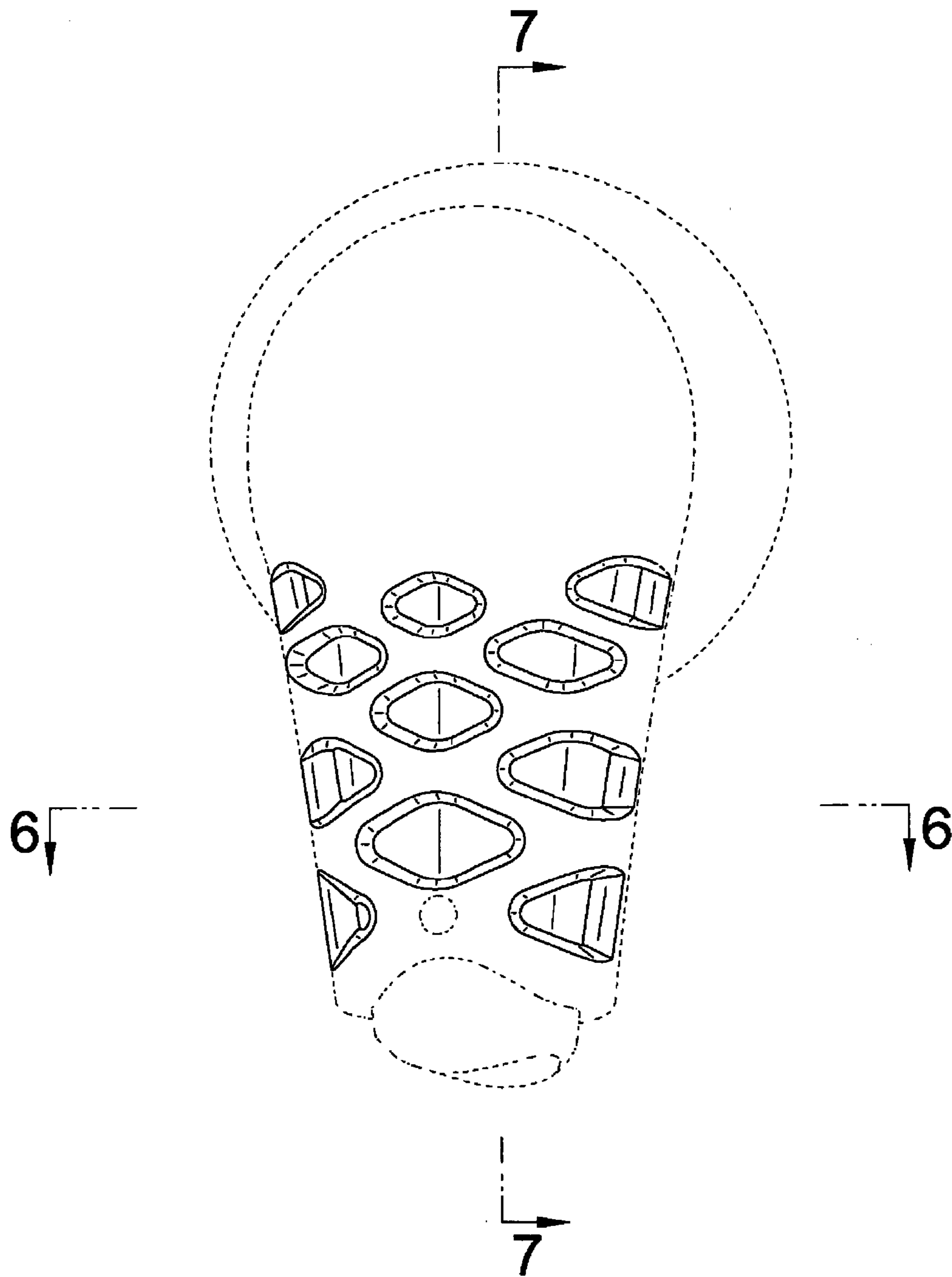


FIG.3

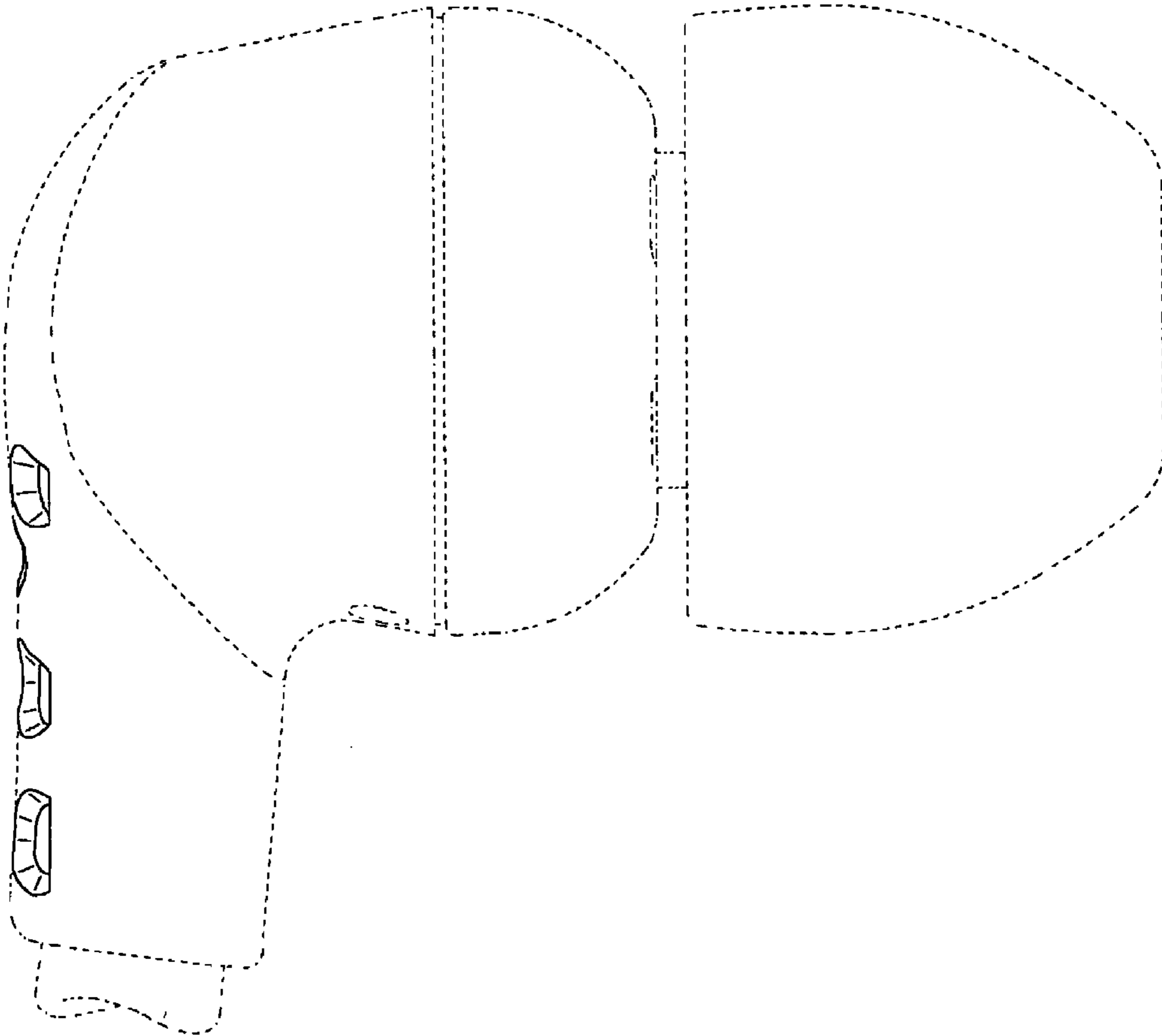


FIG.4

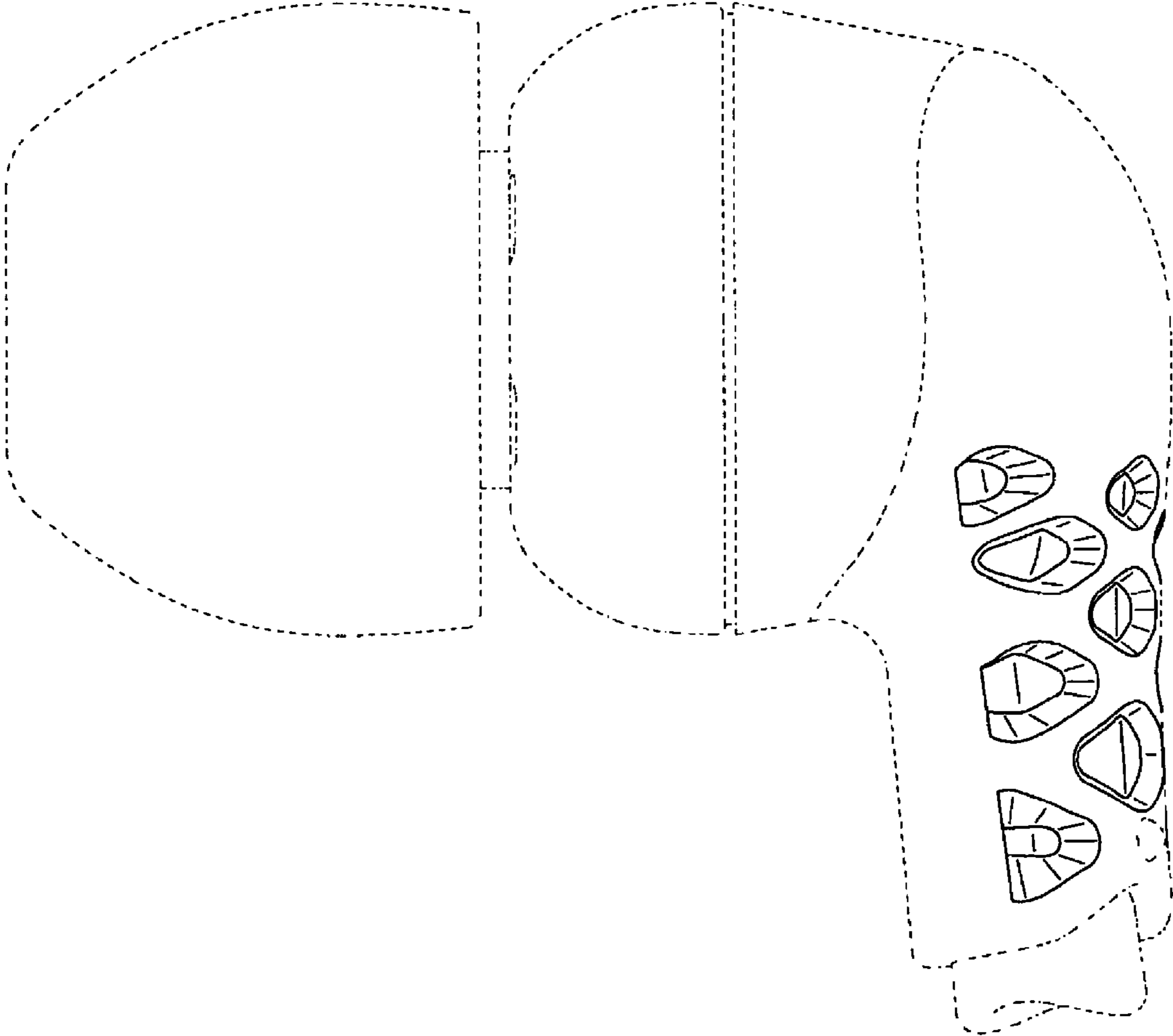


FIG.5

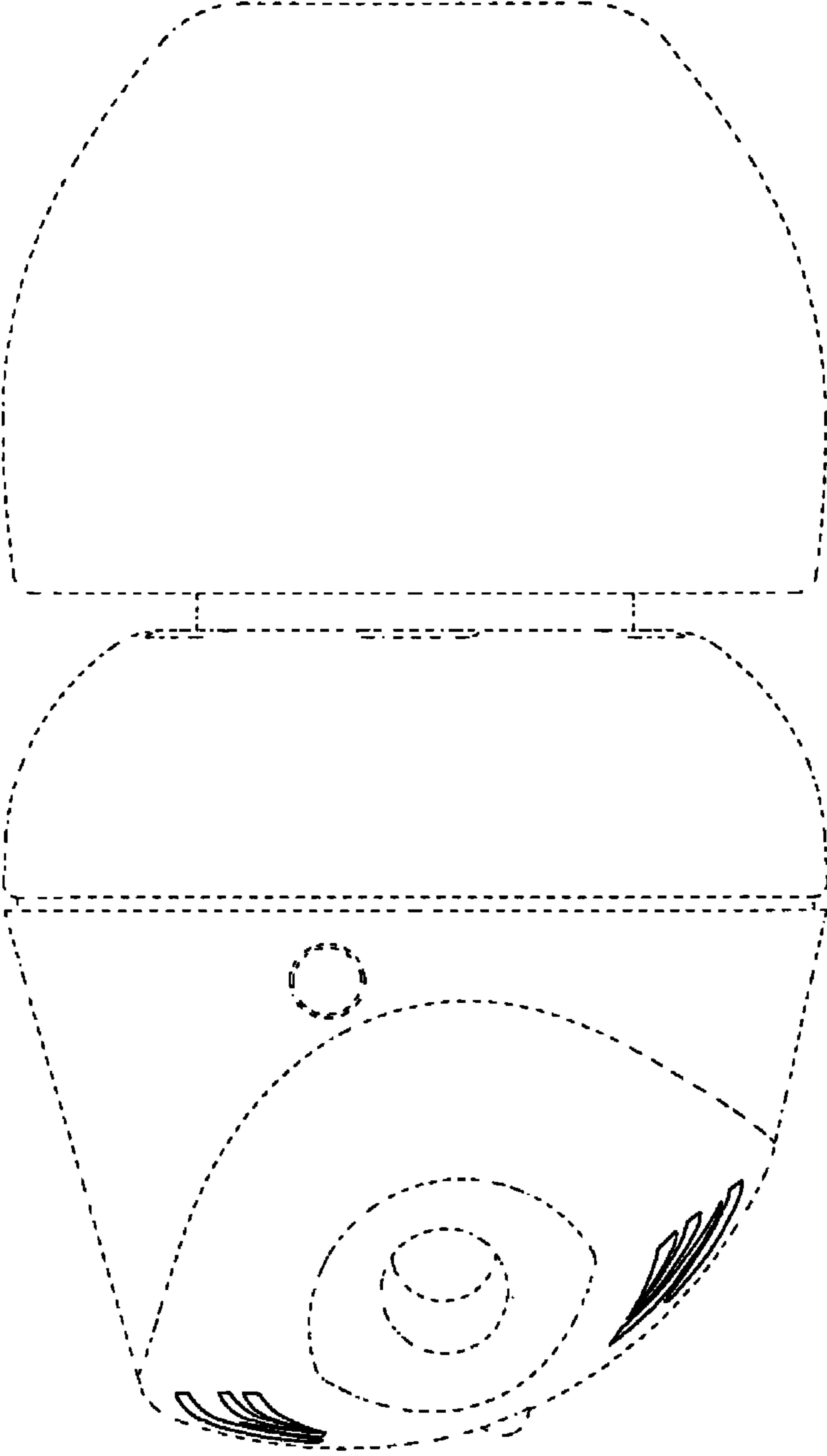
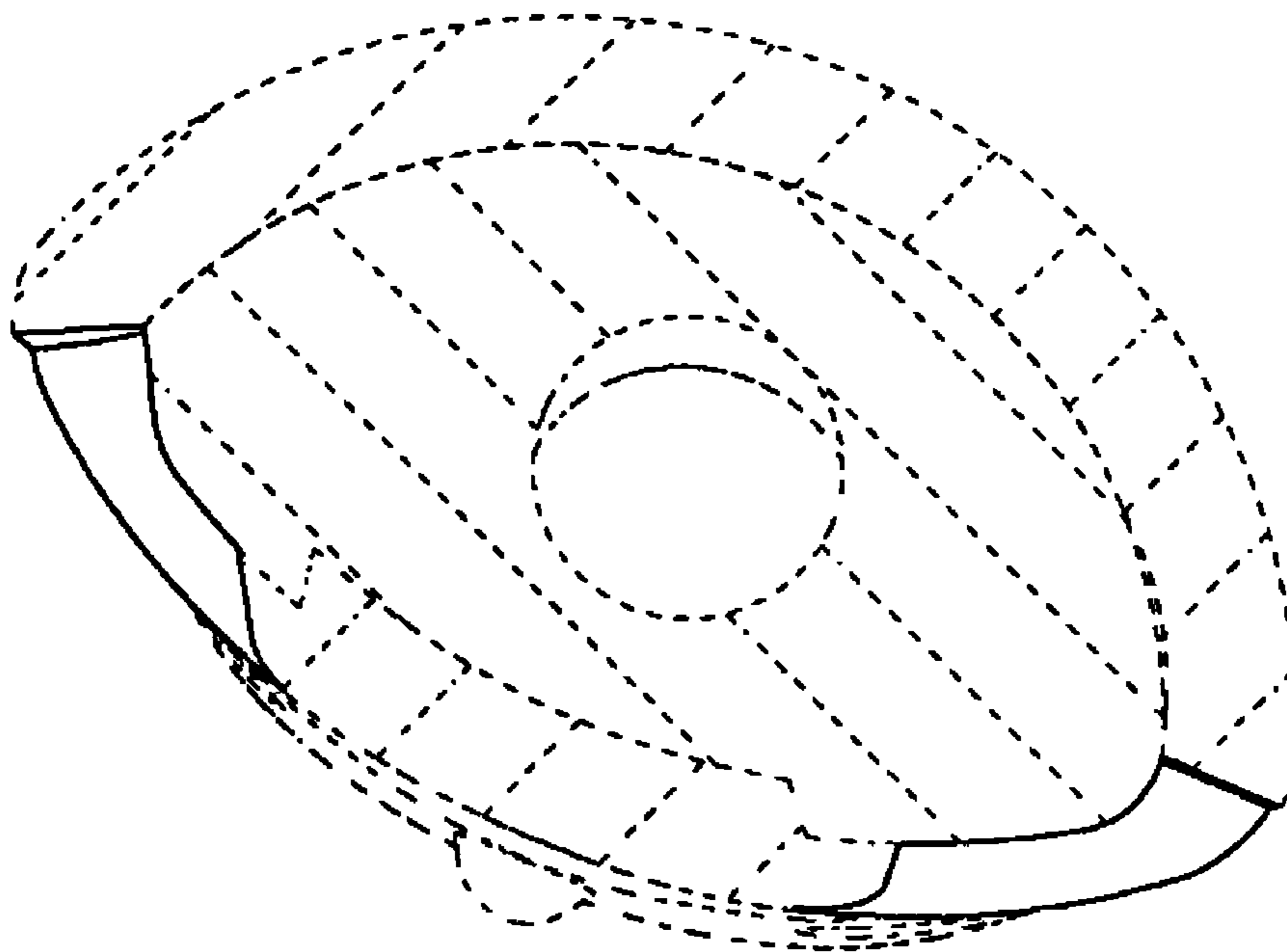


FIG.6



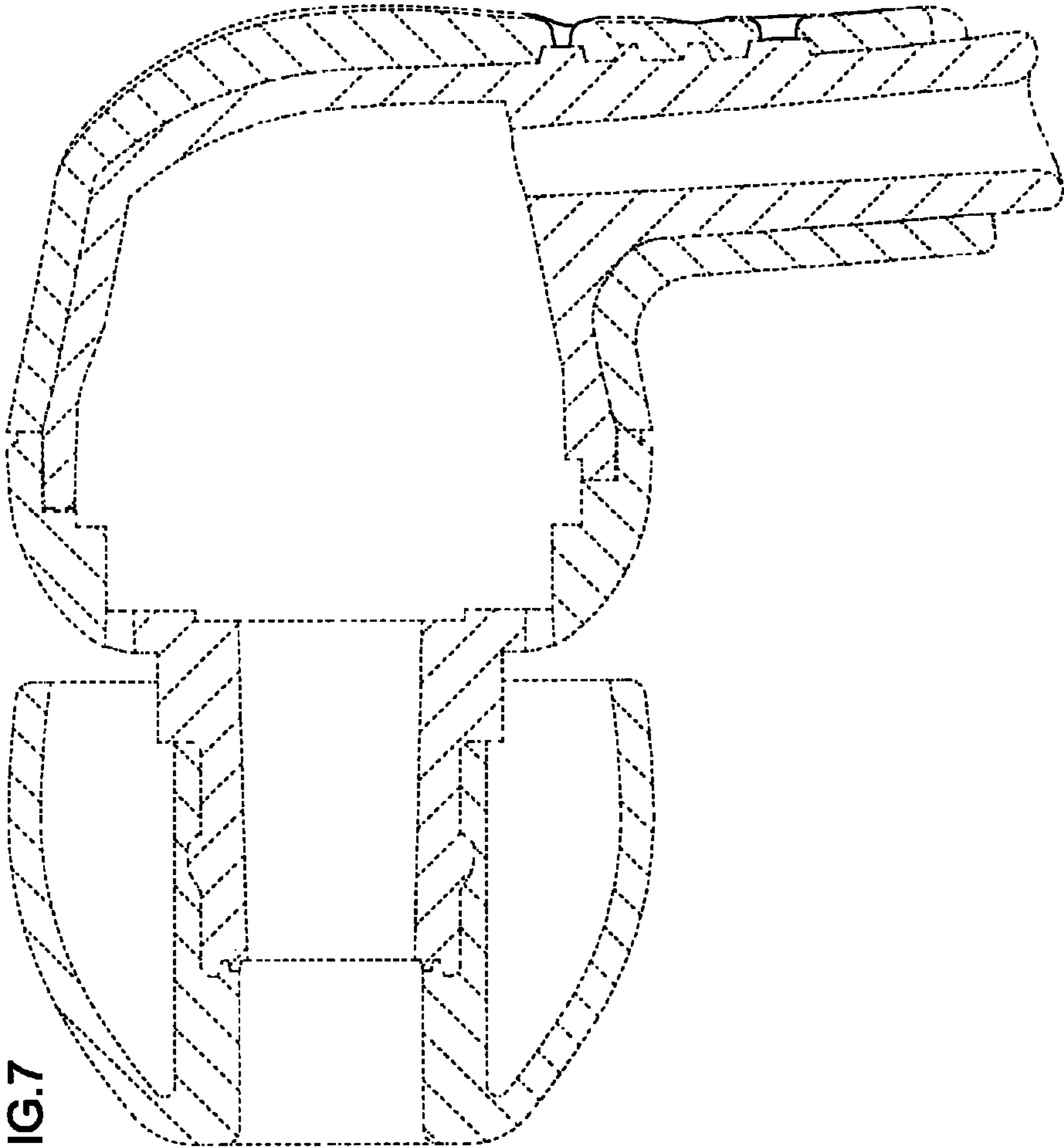


FIG. 7