



US00D684951S

(12) **United States Design Patent**  
**Doyle**

(10) **Patent No.:** **US D684,951 S**  
(45) **Date of Patent:** **\*\* Jun. 25, 2013**

(54) **AUDIO SPEAKER**

(75) Inventor: **Adam Doyle**, Coffs Harbour (AU)

(73) Assignee: **Acoustic 3D Holdings Ltd**, Brisbane,  
Queensland (AU)

(\*\*) Term: **14 Years**

(21) Appl. No.: **29/414,024**

(22) Filed: **Feb. 23, 2012**

(30) **Foreign Application Priority Data**

Aug. 23, 2011 (AU) ..... 13709/2011

(51) **LOC (9) Cl.** ..... **14-01**

(52) **U.S. Cl.**  
USPC ..... **D14/209.1**

(58) **Field of Classification Search**  
USPC ..... D14/204, 204.1, 210–216, 172; 181/143,  
181/144, 147, 148, 150–153, 157, 198, 199;  
381/300–306, 332, 333, 336, 345, 361–364

See application file for complete search history.

(56) **References Cited**

U.S. PATENT DOCUMENTS

|              |         |            |       |           |
|--------------|---------|------------|-------|-----------|
| D526,992 S * | 8/2006  | Sakai      | ..... | D14/168   |
| D538,787 S * | 3/2007  | Tsai       | ..... | D14/209.1 |
| D584,714 S * | 1/2009  | Lum et al. | ..... | D14/204   |
| D645,847 S * | 9/2011  | Chau       | ..... | D14/217   |
| D651,193 S * | 12/2011 | Chang      | ..... | D14/209.1 |
| D656,482 S * | 3/2012  | Colquhoun  | ..... | D14/209.1 |
| D664,119 S * | 7/2012  | Won et al. | ..... | D14/215   |
| D676,412 S * | 2/2013  | Holzer     | ..... | D14/171   |

\* cited by examiner

*Primary Examiner* — Prabhakar Deshmukh

(74) *Attorney, Agent, or Firm* — Novak Druce Connolly  
Bove + Quigg LLP

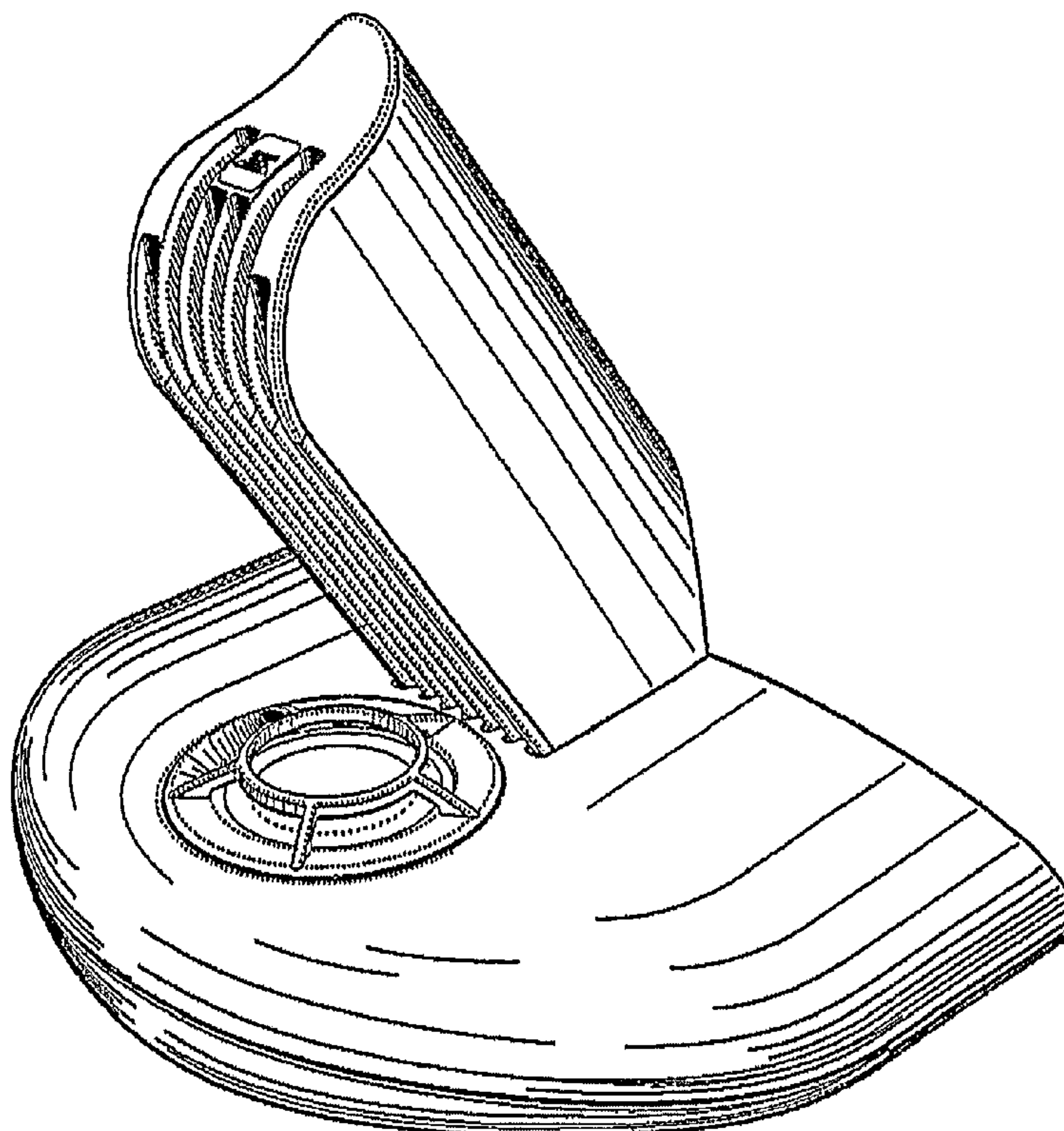
(57) **CLAIM**

The ornamental design for an audio speaker, as shown and described.

**DESCRIPTION**

FIG. 1 is a front perspective view showing our new design for an audio speaker;  
FIG. 2 is a rear perspective view thereof;  
FIG. 3 is a front elevation view thereof;  
FIG. 4 is a top plan view thereof; and,  
FIG. 5 is a right side elevation view thereof, the left side elevation being a mirror image thereof.

**1 Claim, 5 Drawing Sheets**



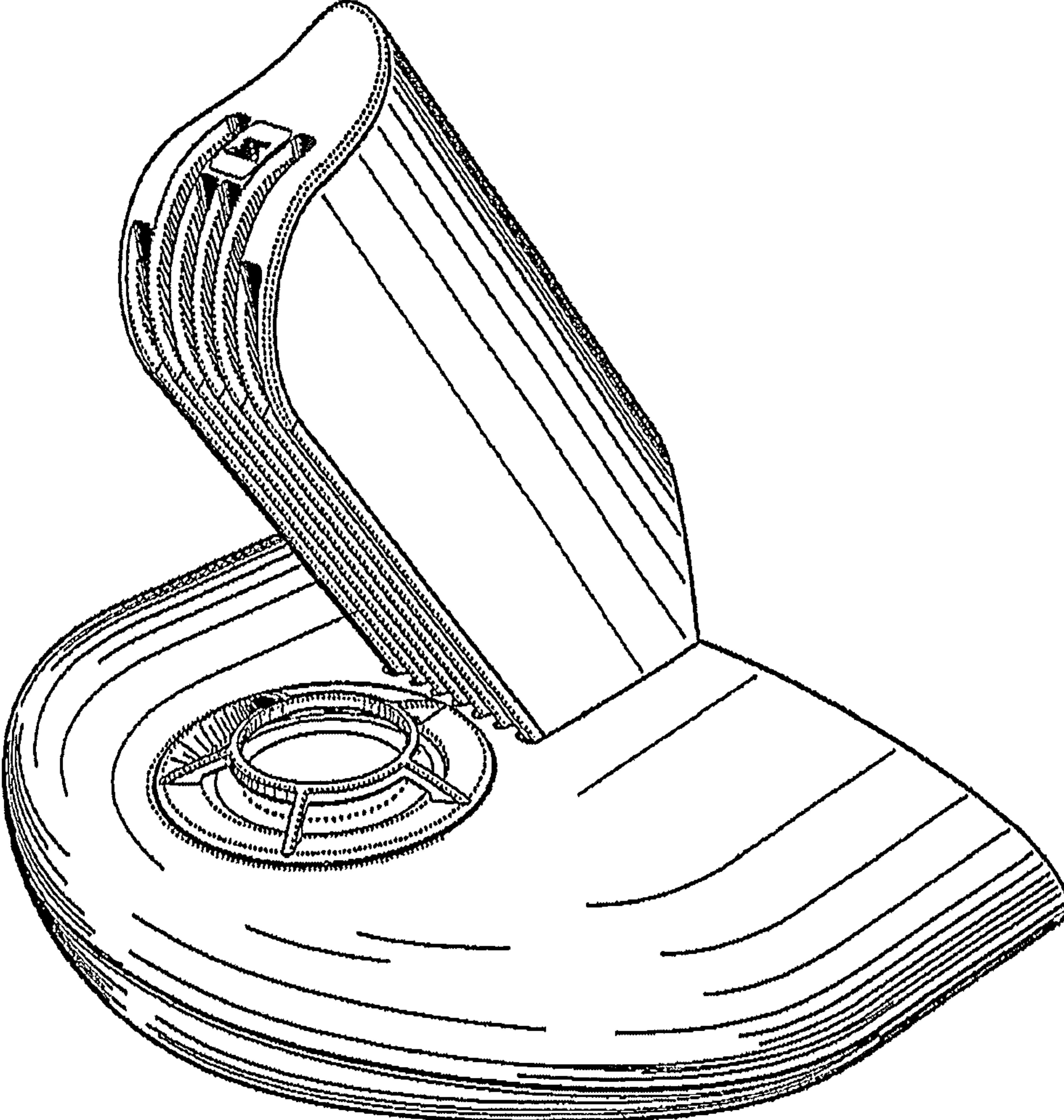


Fig. 1

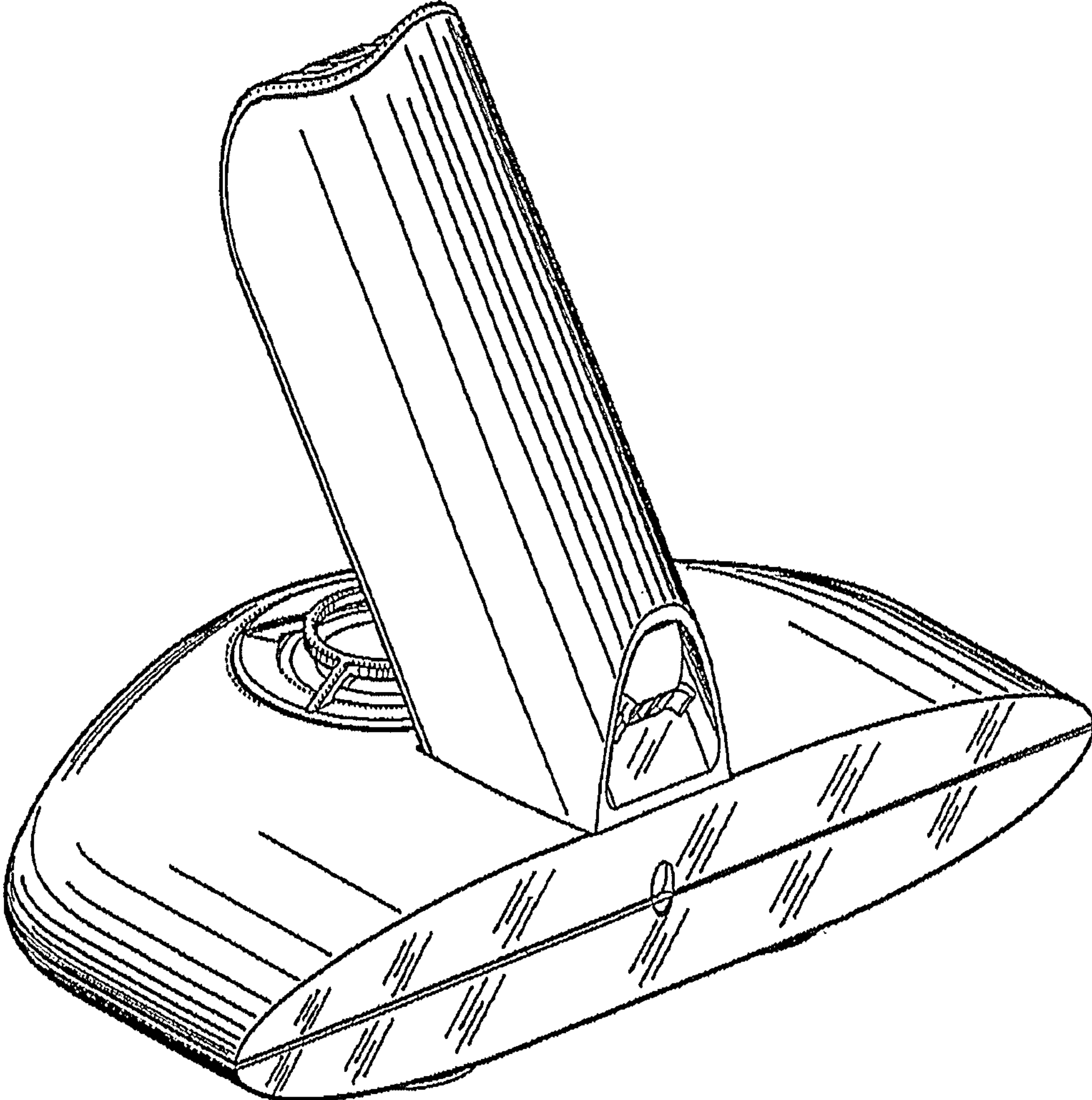


Fig. 2

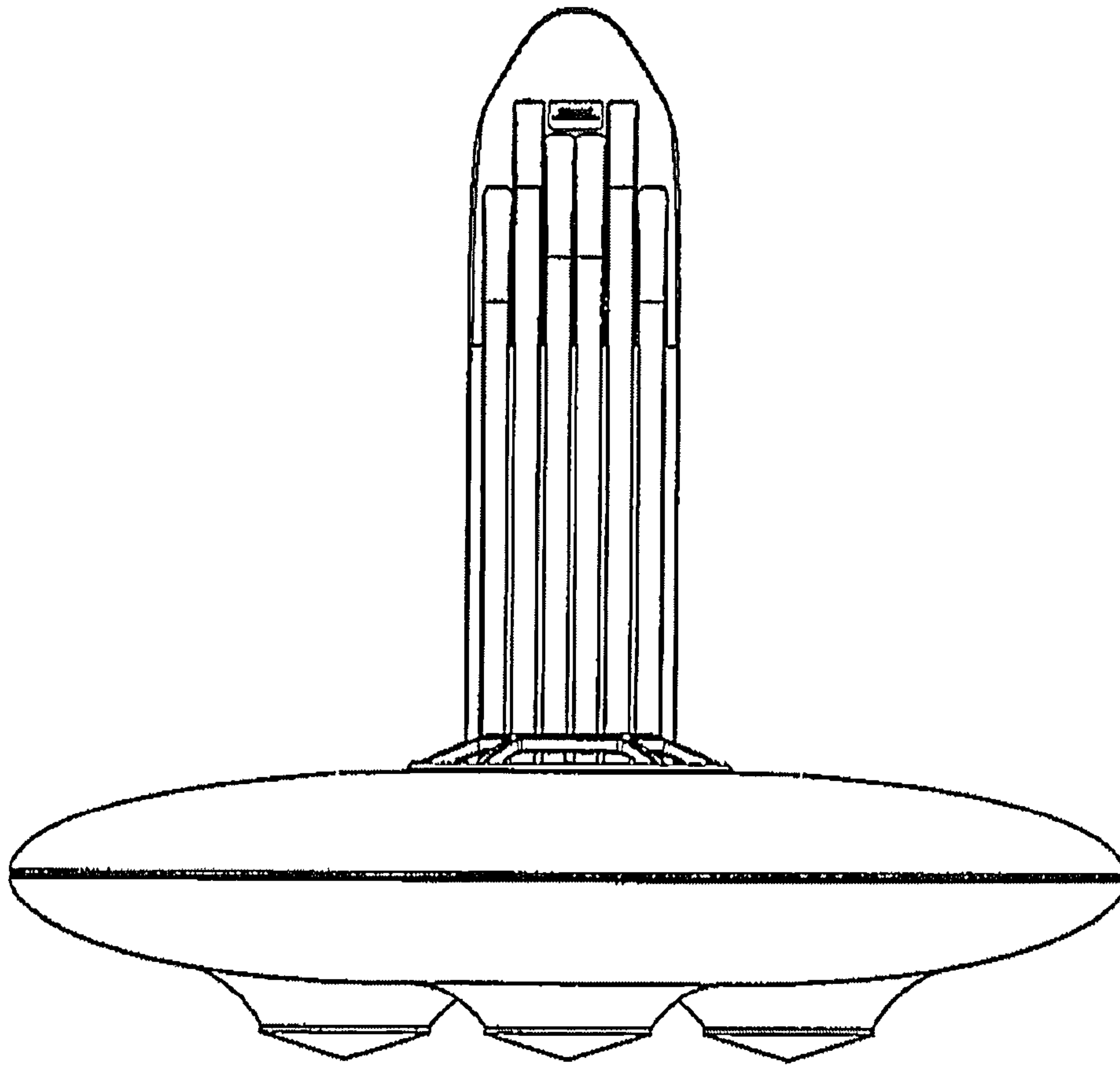


Fig. 3



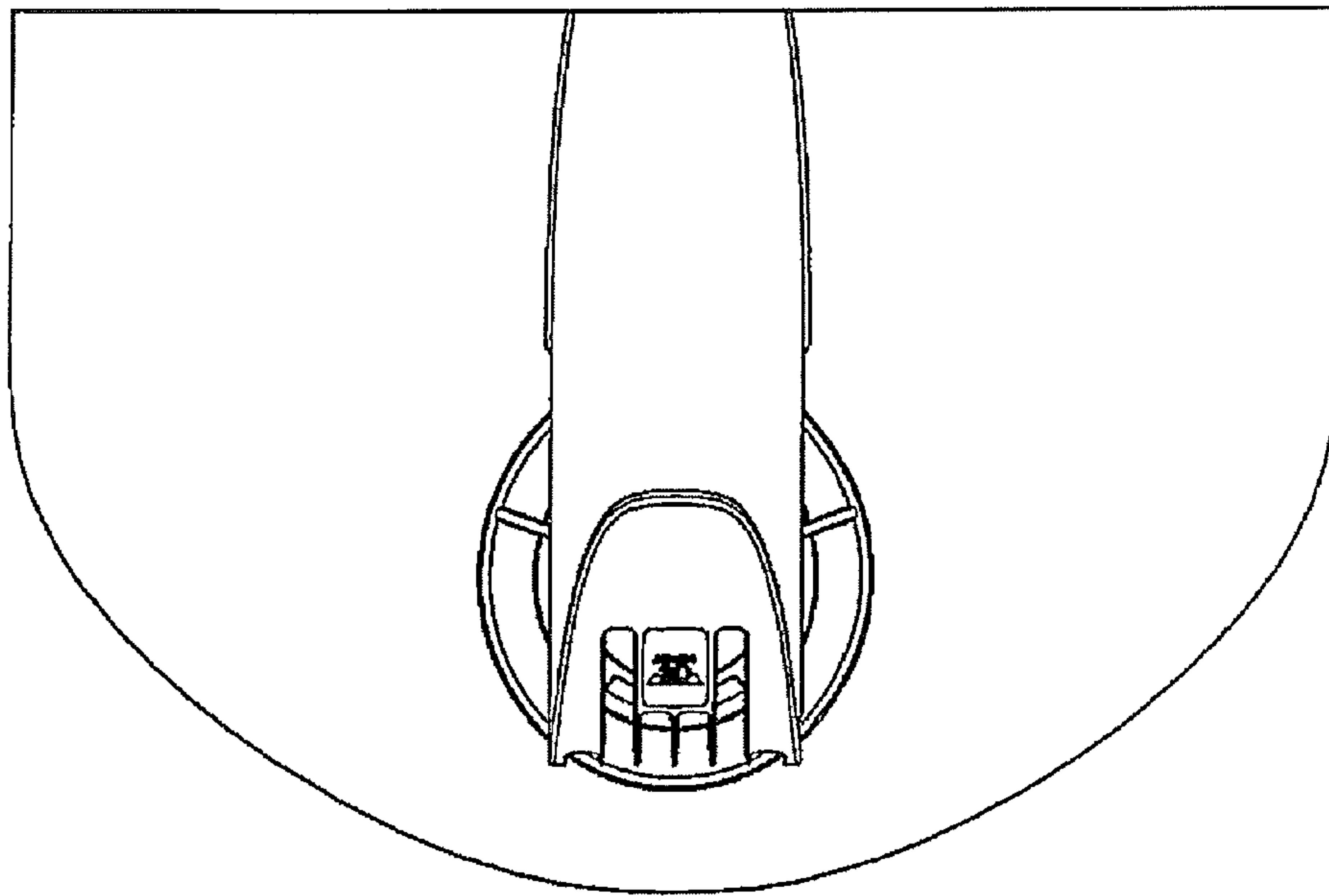


Fig. 4

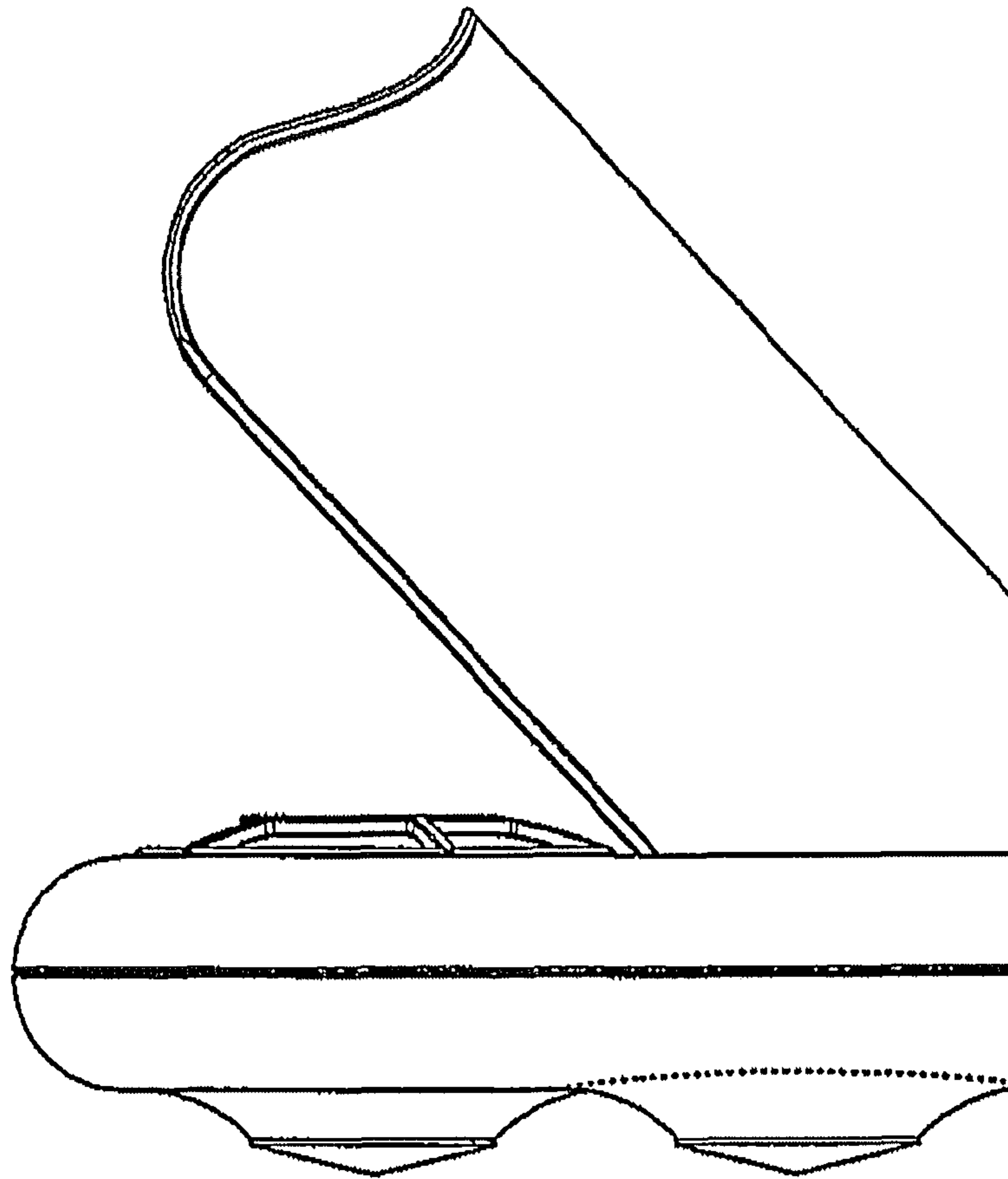


Fig. 5