



US00D684949S

(12) **United States Design Patent**
Lee et al.

(10) **Patent No.:** **US D684,949 S**
(45) **Date of Patent:** **** *Jun. 25, 2013**

(54) **HEADPHONES**

(75) Inventors: **Noel Lee**, Las Vegas, NV (US);
Kendrew Lee, Tsing Yi (HK); **Jacky Hsiung**, San Jose, CA (US)

(73) Assignee: **Monster, LLC**, Las Vegas, NV (US)

(*) Notice: This patent is subject to a terminal disclaimer.

(**) Term: **14 Years**

(21) Appl. No.: **29/407,738**

(22) Filed: **Dec. 1, 2011**

(51) **LOC (9) Cl.** **14-01**

(52) **U.S. Cl.**
USPC **D14/205**

(58) **Field of Classification Search**
USPC D14/205, 206, 223; 181/129, 130,
181/135; 379/430.431; 381/380, 381; 455/90.3,
455/575.1
See application file for complete search history.

(56) **References Cited**

U.S. PATENT DOCUMENTS

D263,043	S	*	2/1982	Petrie	D14/205
D276,143	S	*	10/1984	Williams	D11/121
D276,855	S	*	12/1984	Falco	D29/112
4,821,318	A	*	4/1989	Wu	379/430
D305,541	S	*	1/1990	Hirose	D14/205
D344,730	S	*	3/1994	Gathey et al.	D14/206
D351,172	S	*	10/1994	Nakamura et al.	D14/205
5,500,958	A	*	3/1996	Falco	2/209
D512,981	S	*	12/2005	Jacobson et al.	D14/205
6,980,165	B2	*	12/2005	Yuasa et al.	343/718
D534,155	S	*	12/2006	Obata	D14/205
D540,301	S	*	4/2007	Obata	D14/205
D541,257	S	*	4/2007	Thursfield	D14/205
D593,995	S	*	6/2009	Shimizu	D14/205
D594,441	S	*	6/2009	Lee et al.	

D598,901	S		8/2009	Lee et al.	
D599,781	S		9/2009	Lee et al.	
D600,675	S		9/2009	Lee et al.	
D603,371	S	*	11/2009	Boateng et al. D14/205
D625,705	S	*	10/2010	Ohuri et al. D14/205
D632,668	S	*	2/2011	Brunner et al. D14/205
D637,182	S		5/2011	Lee et al.	
D641,008	S		7/2011	Lee et al.	
D642,163	S		7/2011	Lee et al.	
D643,417	S		8/2011	Lee et al.	
D643,418	S		8/2011	Lee et al.	
D643,833	S		8/2011	Lee et al.	
D652,405	S	*	1/2012	Lee et al. D14/205
D652,821	S	*	1/2012	Lee et al. D14/223
D656,480	S	*	3/2012	McManigal et al. D14/205
D659,672	S	*	5/2012	Lee et al. D14/205
D660,823	S	*	5/2012	Hardi et al. D14/205
D662,080	S	*	6/2012	Carr et al. D14/205
D663,716	S	*	7/2012	Hardi et al. D14/205
D664,117	S	*	7/2012	Tappeiner et al. D14/205
D666,579	S	*	9/2012	Hou D14/205
D666,991	S	*	9/2012	Lee et al. D14/205

* cited by examiner

Primary Examiner — Paula Greene

(74) *Attorney, Agent, or Firm* — LaRiviere, Grubman & Payne, LLP

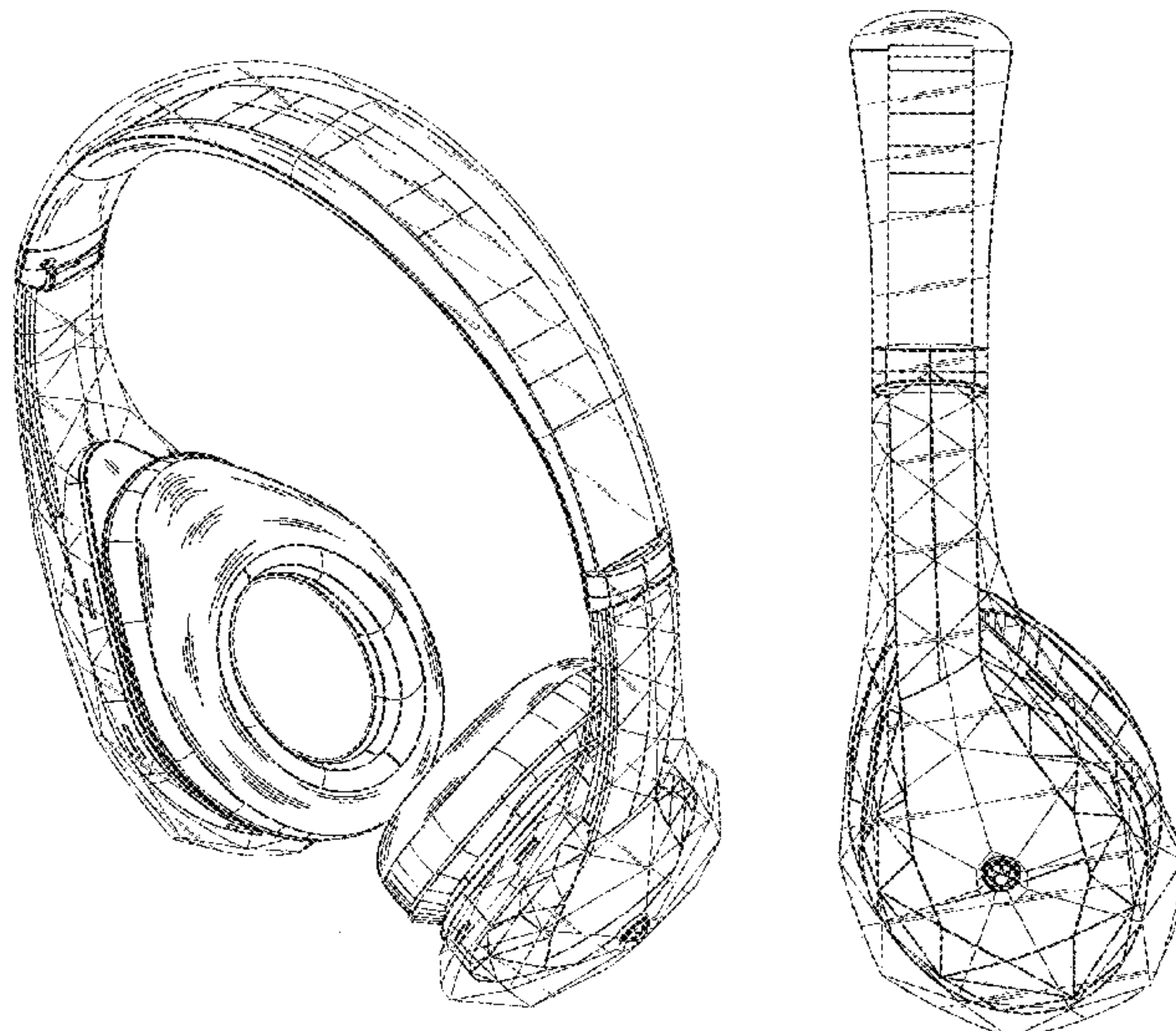
(57) **CLAIM**

The ornamental design for headphones, as shown and described.

DESCRIPTION

FIG. 1 is a perspective view of headphones made of an appropriate material (such as Lucite) for creating a transparent shape, showing our design;
FIG. 2 is a front view thereof;
FIG. 3 is a rear view thereof;
FIG. 4 is a side view thereof;
FIG. 5 is an opposing side view thereof;
FIG. 6 is a top view thereof; and,
FIG. 7 is a bottom view thereof.

1 Claim, 5 Drawing Sheets



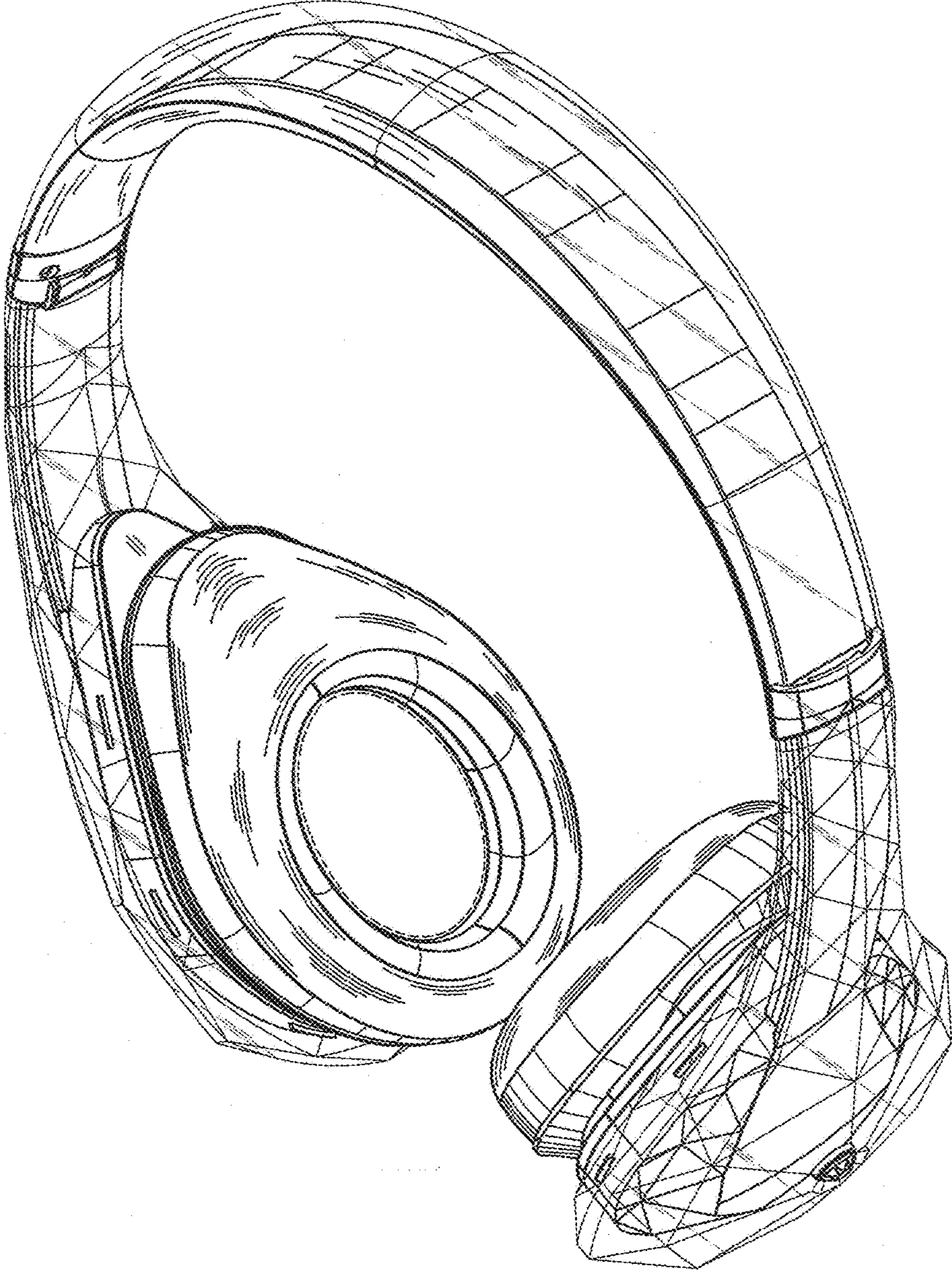


FIG. 1



FIG. 2



FIG. 3

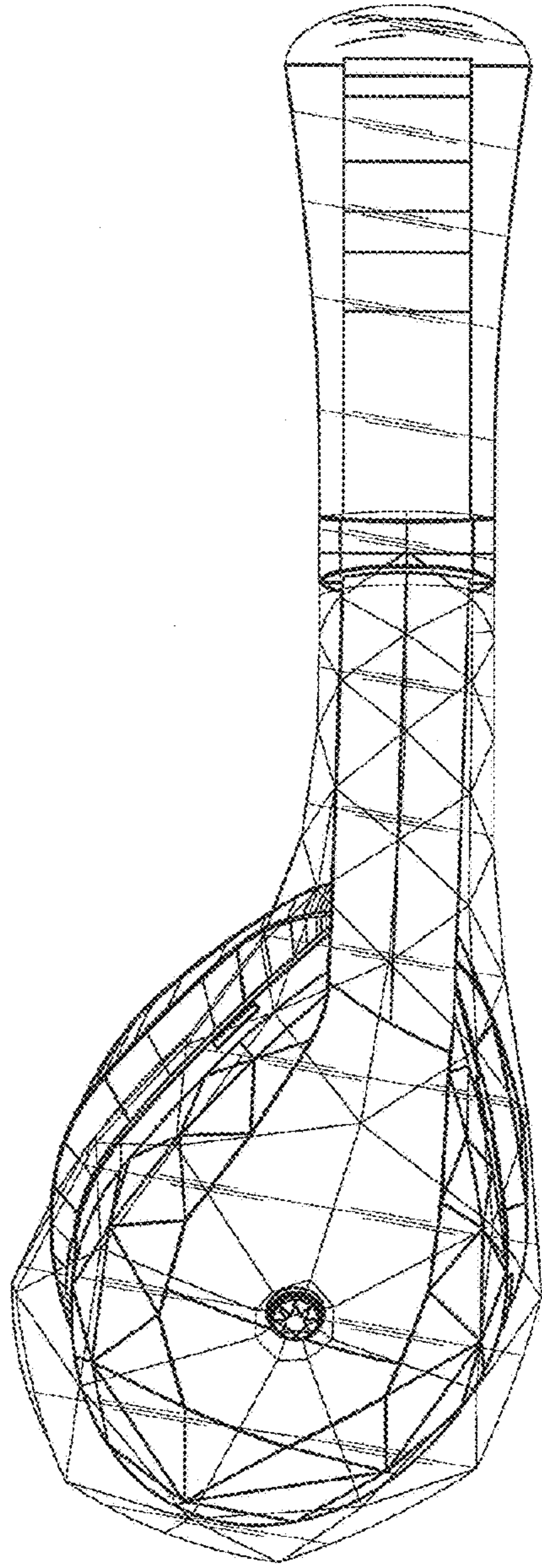


FIG. 4

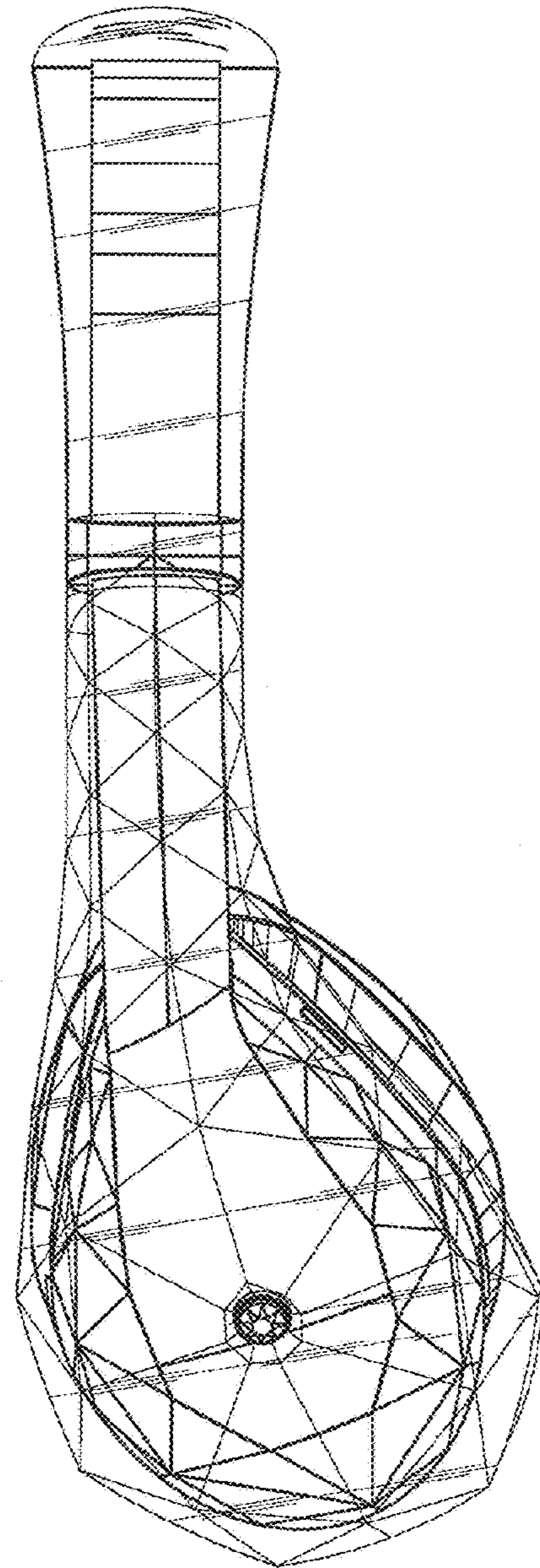


FIG. 5

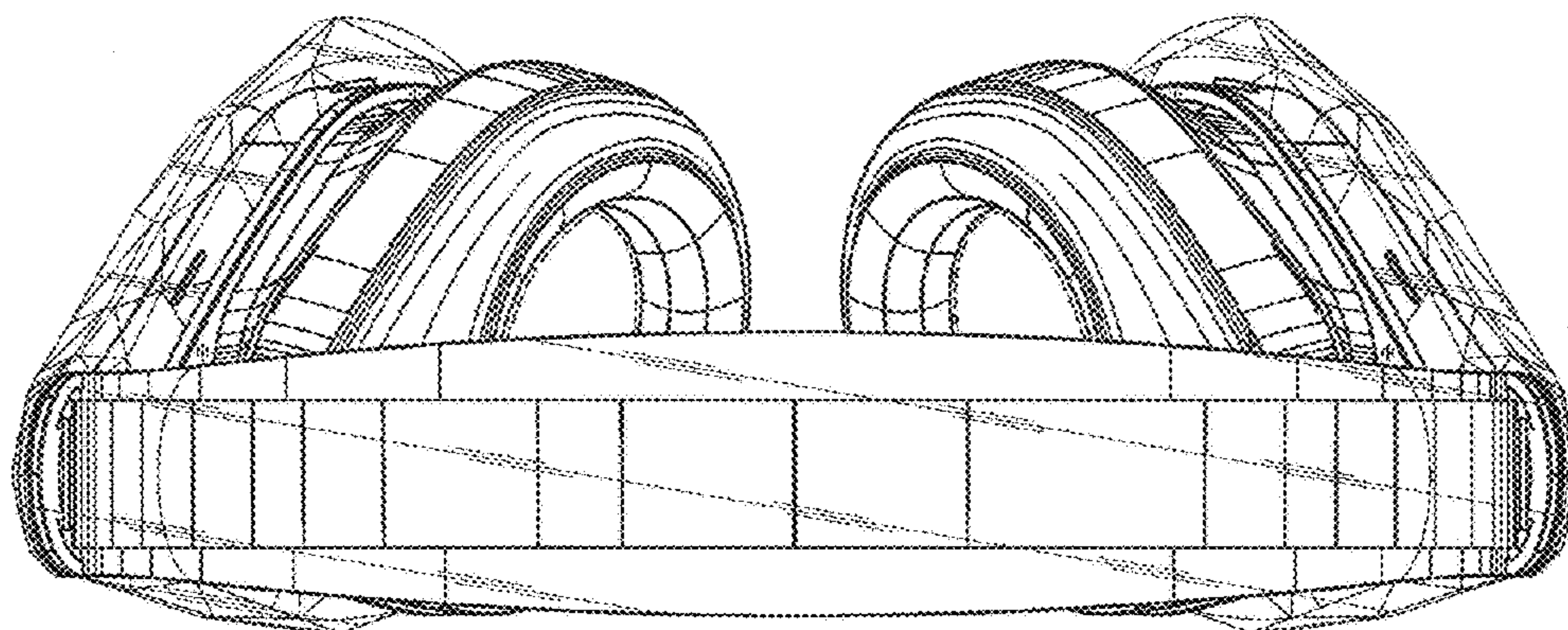


FIG. 6

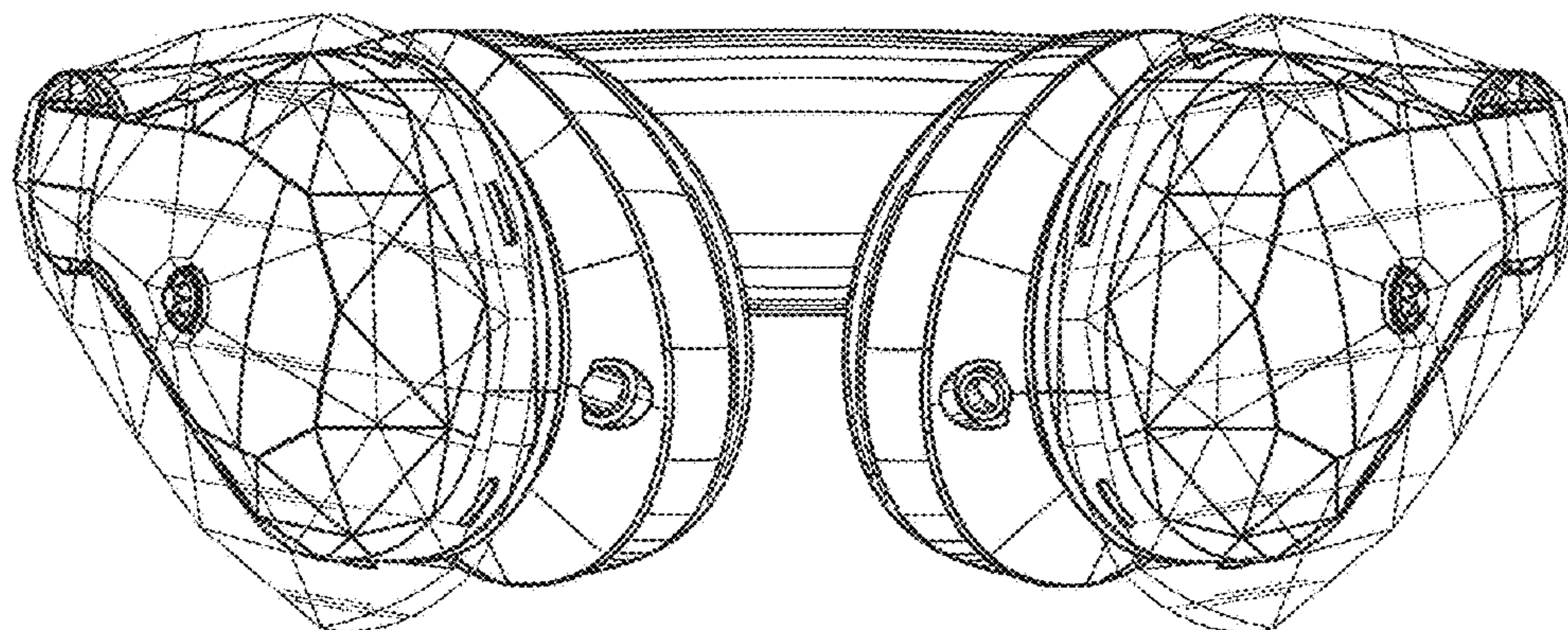


FIG. 7