



US00D684948S

(12) **United States Design Patent**  
**Burlingame et al.**

(10) **Patent No.:** **US D684,948 S**  
(45) **Date of Patent:** **\*\* Jun. 25, 2013**

(54) **PLAYBACK DEVICE**

- (71) Applicant: **Sonos, Inc**, Santa Barbara, CA (US)
- (72) Inventors: **Gregory B. Burlingame**, Woburn, MA (US); **Christopher Kallai**, Santa Barbara, CA (US); **Zivthan Dubrovsky**, Lexington, MA (US); **James Y. Koo**, Renton, WA (US); **Jonathan P. Lang**, Santa Barbara, CA (US); **Wai-Loong Lim**, San Francisco, CA (US)
- (73) Assignee: **Sonos, Inc.**, Santa Barbara, CA (US)
- (\*\*) Term: **14 Years**
- (21) Appl. No.: **29/436,288**
- (22) Filed: **Nov. 2, 2012**

**Related U.S. Application Data**

- (63) Continuation of application No. 29/394,440, filed on Jun. 16, 2011, now Pat. No. Des. 672,748.
- (51) **LOC (9) Cl.** ..... **14-01**
- (52) **U.S. Cl.**  
USPC ..... **D14/204**
- (58) **Field of Classification Search**  
USPC ..... D14/204, 209–216, 219, 220; 181/143, 181/144, 147, 148, 150, 151, 198, 199, 153; 381/330–302, 306, 333, 345, 361–364, 386–388, 332, 336  
See application file for complete search history.

(56) **References Cited**

U.S. PATENT DOCUMENTS

4,805,730	A *	2/1989	O'Neill et al.	181/148
4,809,089	A *	2/1989	Richie	386/230
6,035,962	A *	3/2000	Lin	181/199
6,349,792	B1 *	2/2002	Smith et al.	181/156
D508,041	S *	8/2005	Carbone et al.	D14/214
D557,257	S *	12/2007	Azumi	D14/214
D567,223	S *	4/2008	Carbone et al.	D14/214
D568,294	S *	5/2008	Sawhney et al.	D14/214
D570,827	S *	6/2008	Azumi	D14/214
D581,902	S *	12/2008	Morimoto	D14/214
D582,391	S *	12/2008	Morimoto	D14/214

\* cited by examiner

*Primary Examiner* — Prabhakar Deshmukh

(74) *Attorney, Agent, or Firm* — Hanley, Flight and Zimmerman, LLC

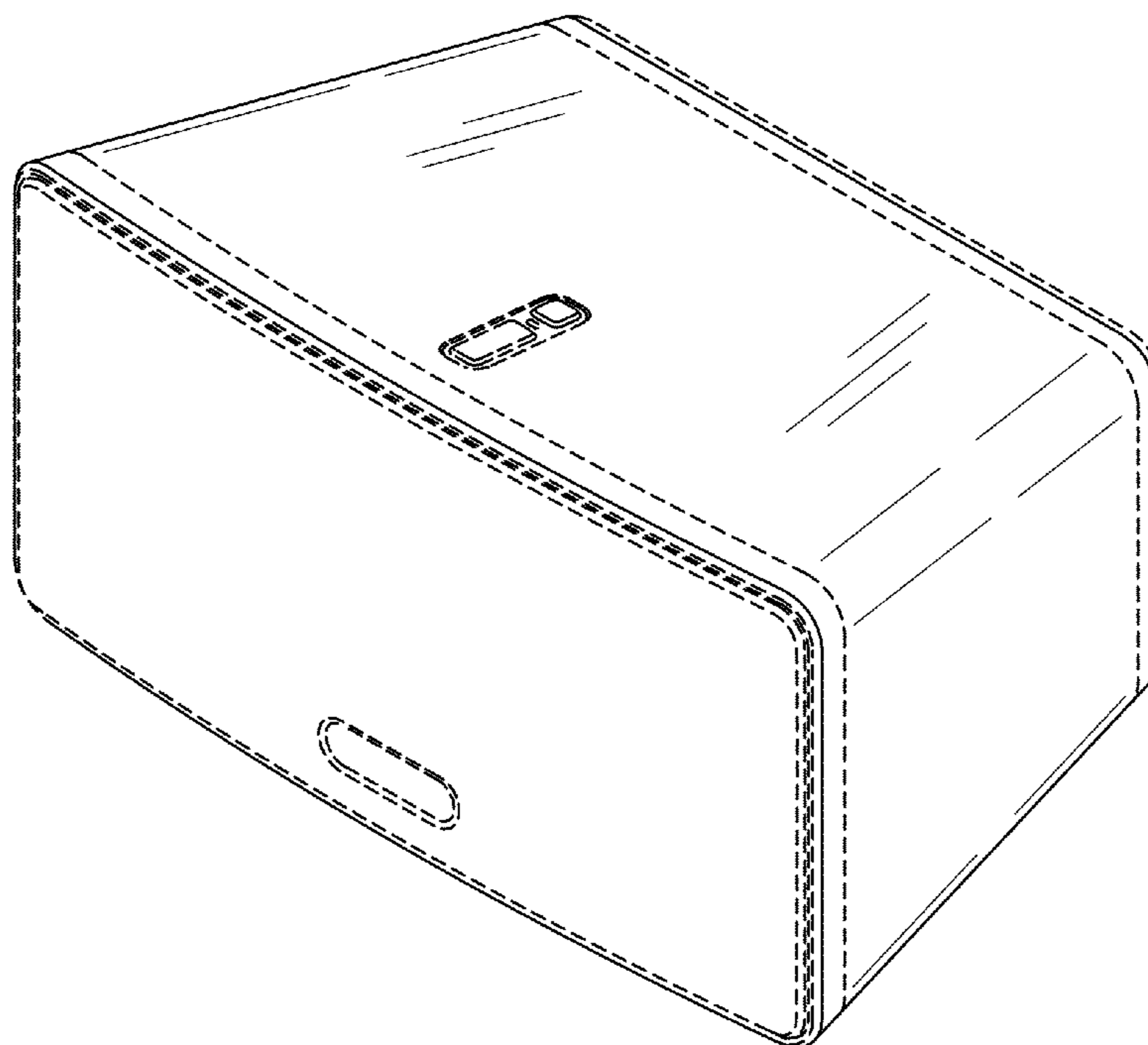
(57) **CLAIM**

The ornamental design for a playback device, as shown and described.

**DESCRIPTION**

FIG. 1 is an isometric view of a playback device. FIG. 2 is a front view of the playback device of FIG. 1. FIG. 3 is a rear view of the playback device of FIG. 1. FIG. 4 is a top view of the playback device of FIG. 1. FIG. 5 is a bottom view of the playback device of FIG. 1. FIG. 6 is a side view of the playback device of FIG. 1; and, FIG. 7 is another side view of the playback device of FIG. 1. The features shown in broken lines are for illustrative purposes only and do not form part of the claimed design.

**1 Claim, 5 Drawing Sheets**



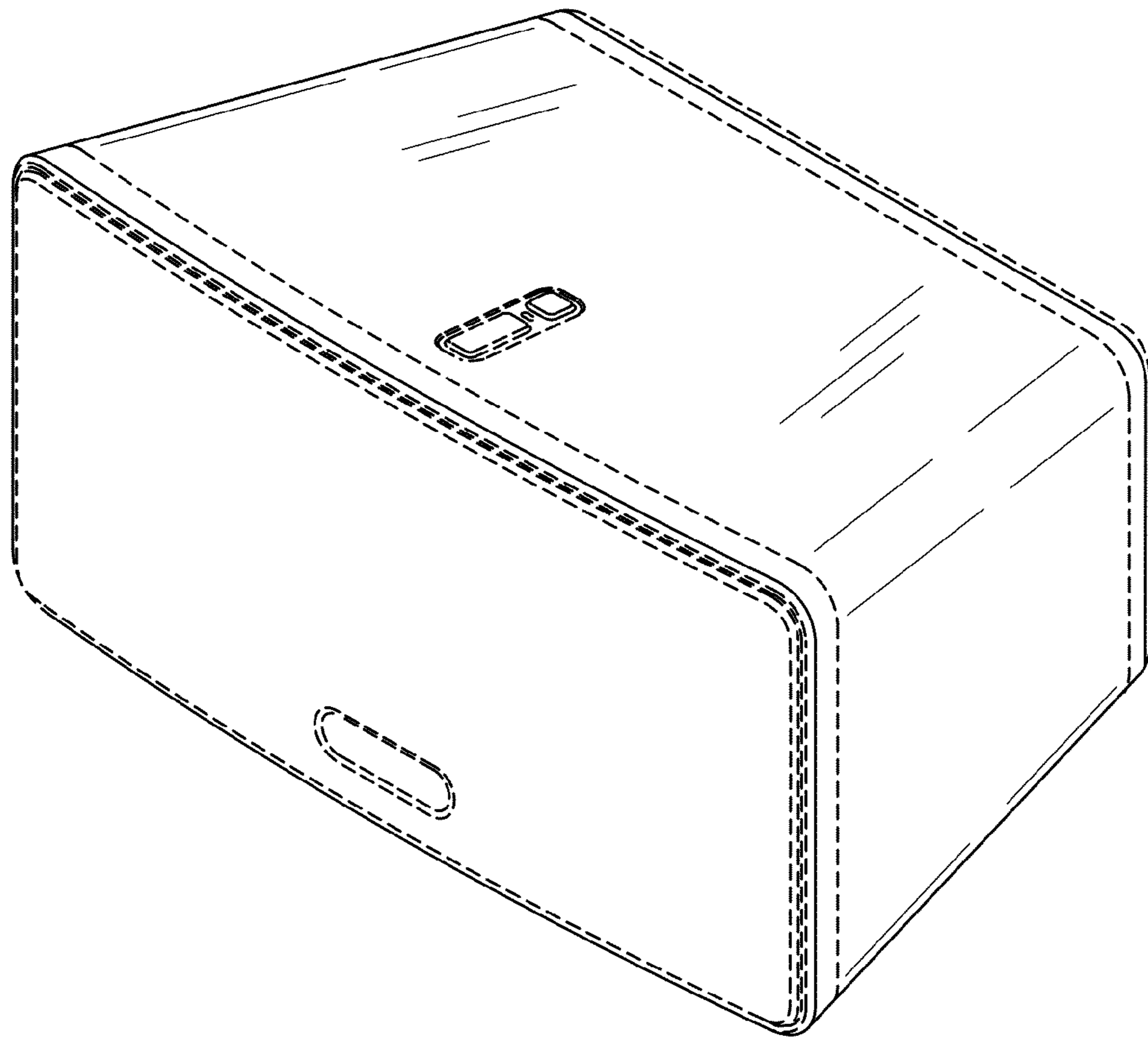


FIG. 1

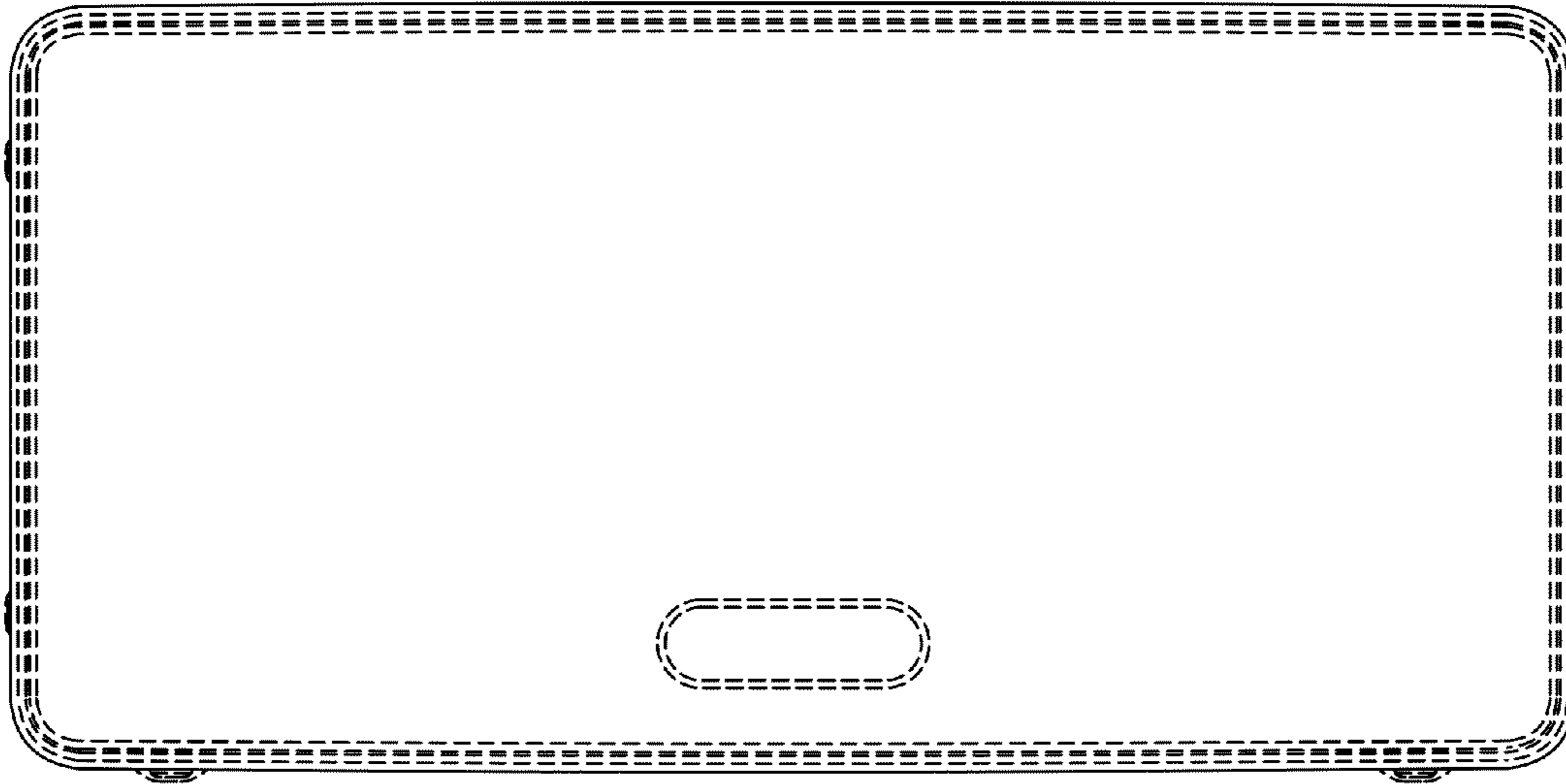


FIG. 2

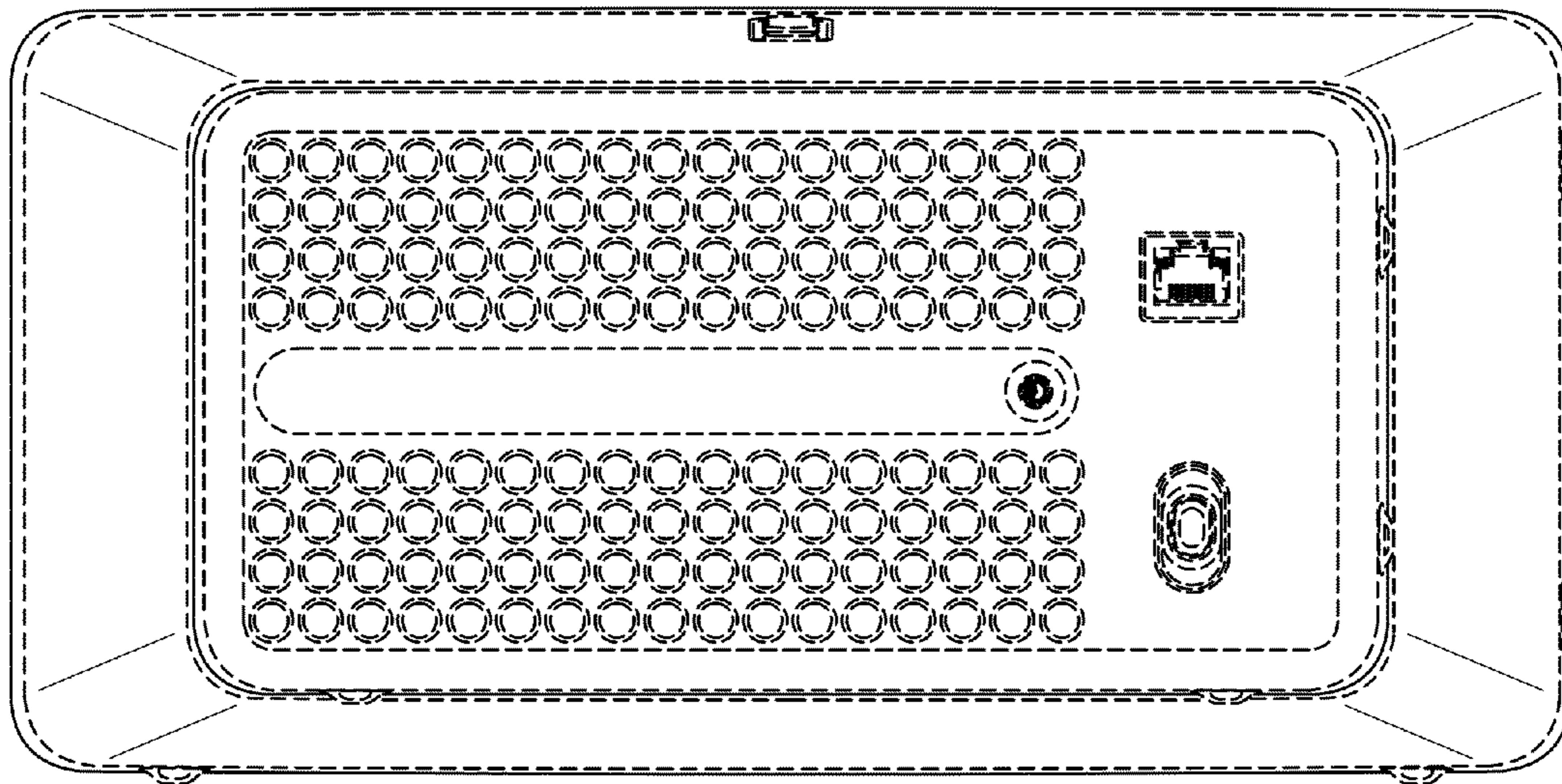


FIG. 3

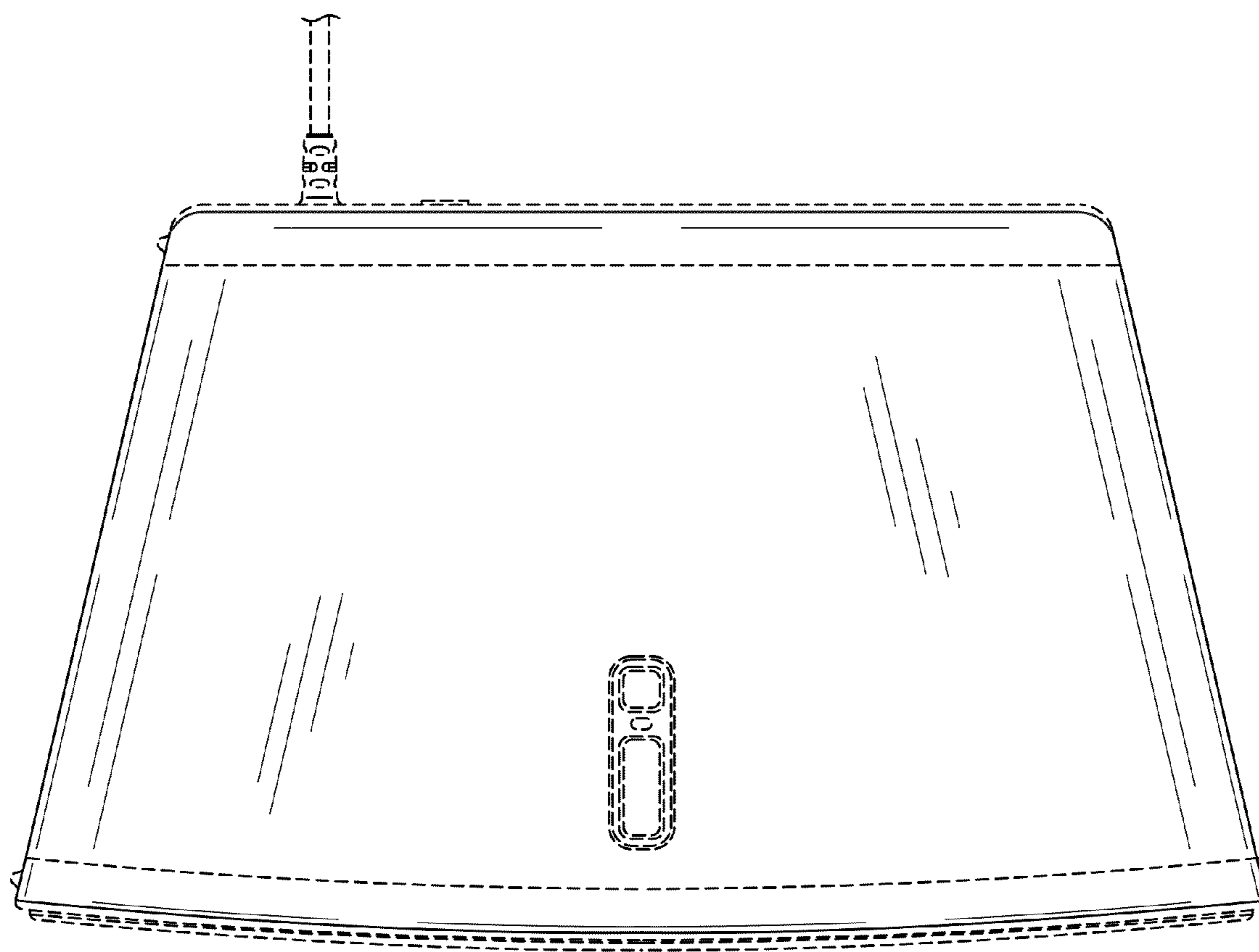


FIG. 4

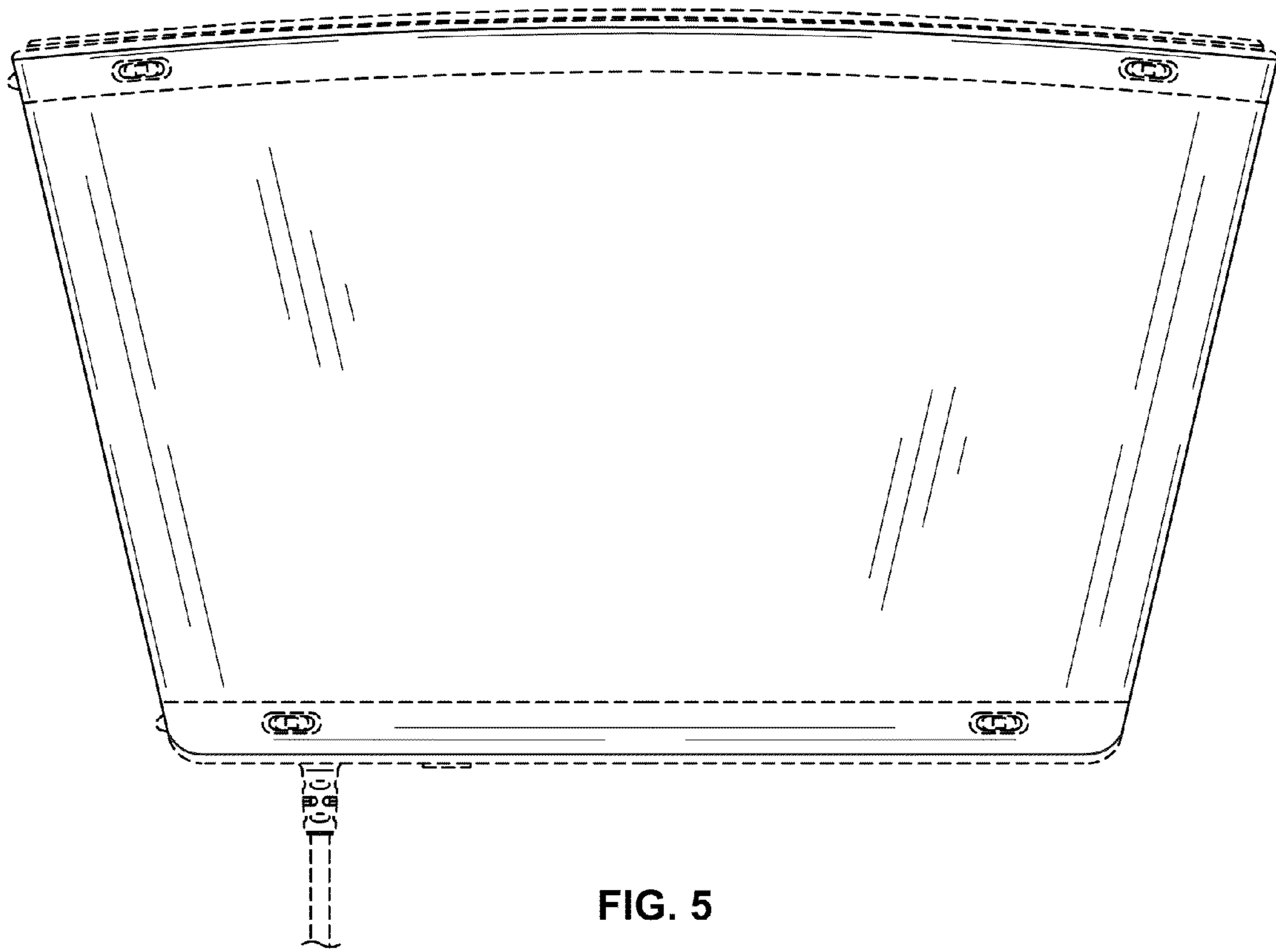


FIG. 5

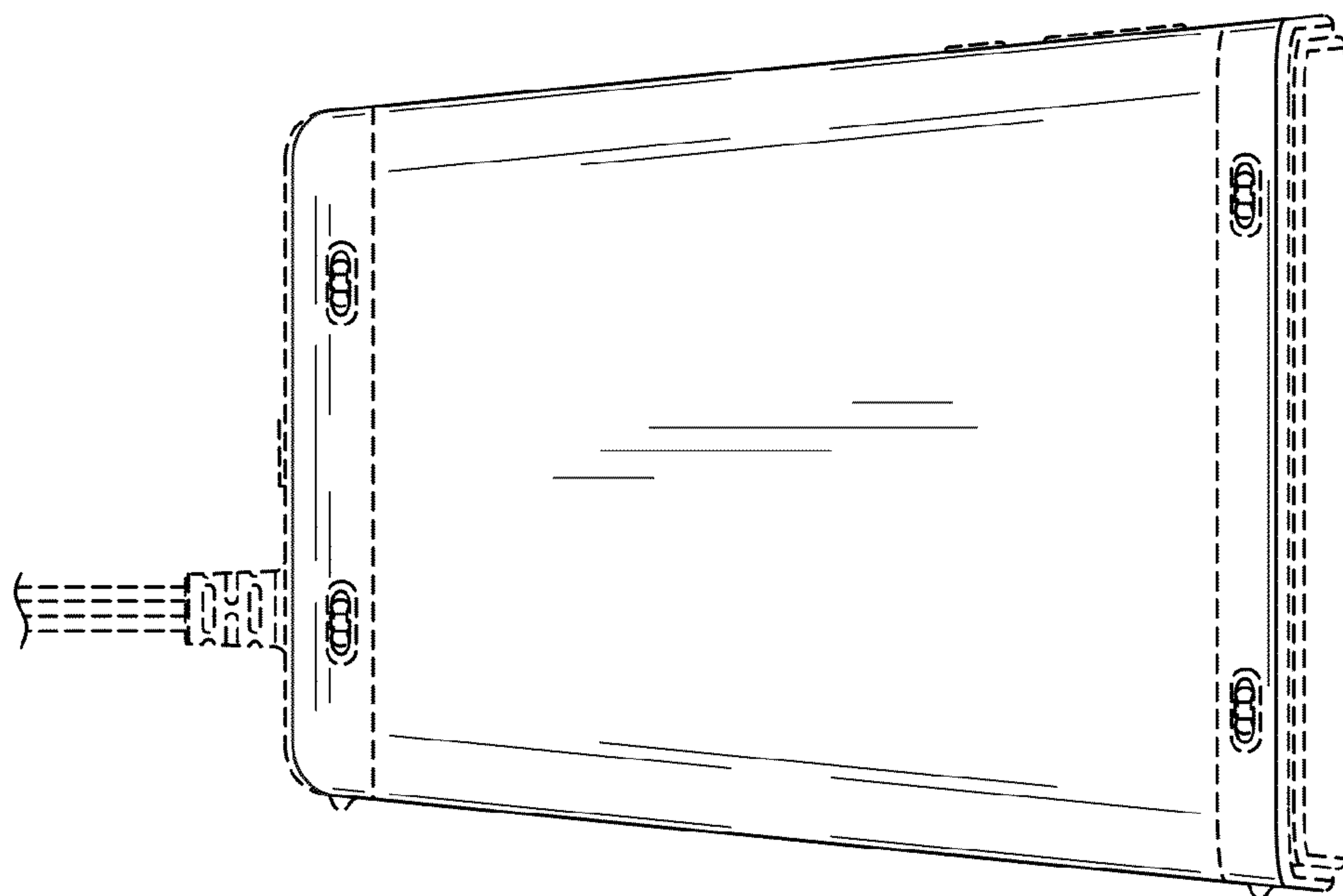


FIG. 6

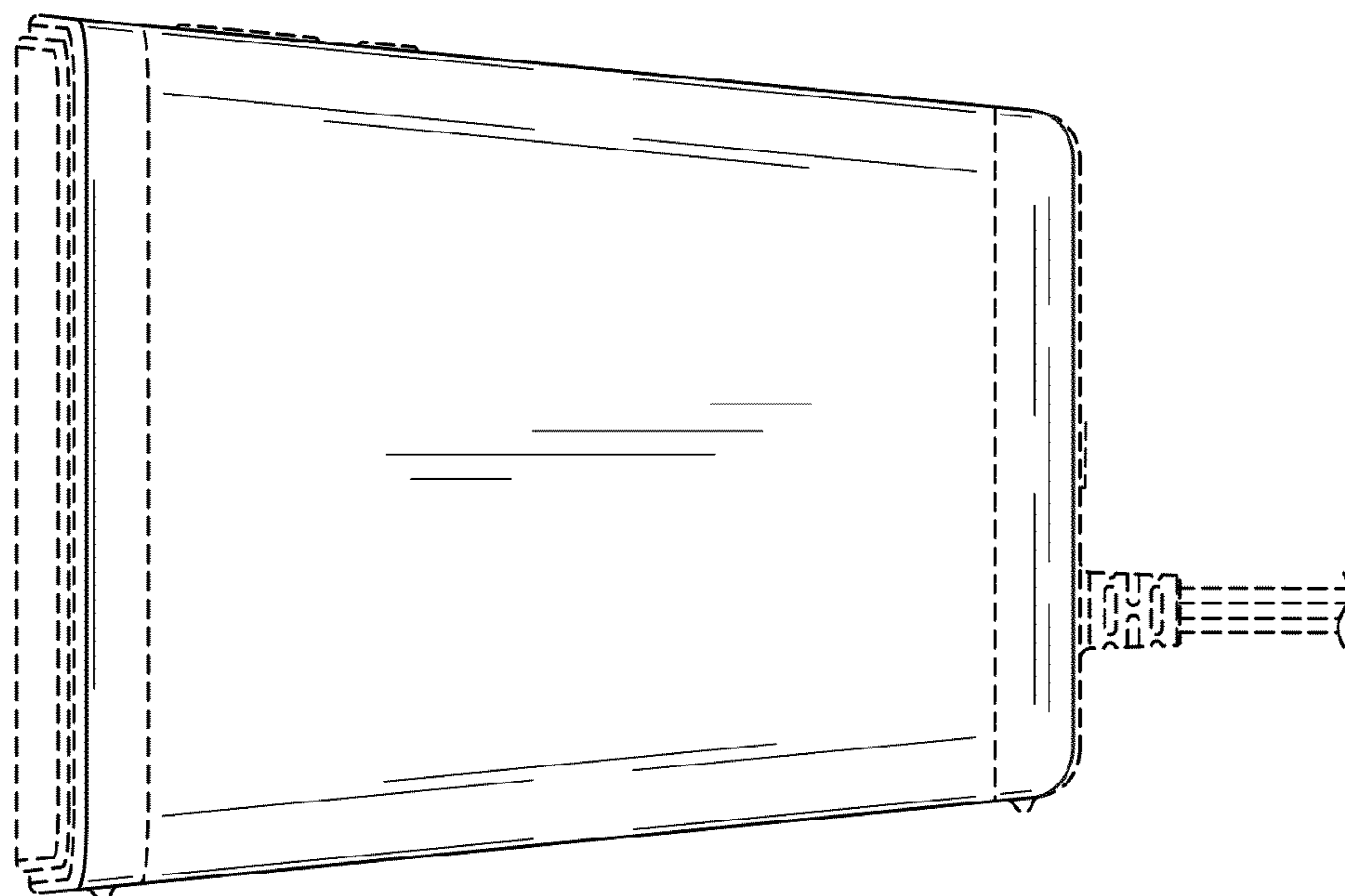


FIG. 7