



US00D684947S

(12) **United States Design Patent**
Motoishi et al.

(10) **Patent No.:** **US D684,947 S**
(45) **Date of Patent:** **** Jun. 25, 2013**

(54) **COMBINED AUDIO SYSTEM AND DIGITAL PHOTO FRAME**

D587,261 S 2/2009 Skaf et al.
D599,801 S 9/2009 Skaf et al.
D600,251 S 9/2009 Poandl

(75) Inventors: **Takuya Motoishi**, Tokyo (JP); **Kuninori Hyogo**, Tokyo (JP)

(Continued)

(73) Assignee: **Sony Corporation**, Tokyo (JP)

FOREIGN PATENT DOCUMENTS

JP D1087098 S 10/2000
JP D1087812 S 10/2000

(**) Term: **14 Years**

(Continued)

(21) Appl. No.: **29/371,227**

Primary Examiner — Keli L Hill

(22) Filed: **Dec. 6, 2010**

(74) *Attorney, Agent, or Firm* — Rader, Fishman & Grauer PLLC

Related U.S. Application Data

(63) Continuation-in-part of application No. 29/347,417, filed on Dec. 28, 2009, now Pat. No. Des. 628,608.

(51) **LOC (9) Cl.** **14-03**

(52) **U.S. Cl.**

USPC **D14/194**; D6/300

(58) **Field of Classification Search**

USPC D14/168, 169, 179, 188, 194–198, D14/215, 217, 257, 265, 299, 496; 330/1 R, 330/3, 4, 250; 381/86, 120; 455/344–351; D6/300–302, 310

See application file for complete search history.

(56) **References Cited**

U.S. PATENT DOCUMENTS

D331,238 S * 11/1992 Lewis D14/168
D392,966 S * 3/1998 Lee et al. D14/135
D402,289 S * 12/1998 Pinchuk et al. D14/167
D425,312 S * 5/2000 Reynolds et al. D6/302
D546,317 S * 7/2007 Harris D14/168
D560,371 S * 1/2008 Liu et al. D6/308
D564,542 S * 3/2008 Green et al. D14/496
D577,206 S * 9/2008 Chang et al. D6/300
D579,443 S 10/2008 Donovan et al.
D579,914 S * 11/2008 Okamura et al. D14/172
D583,360 S 12/2008 Gredler

(57) **CLAIM**

The ornamental design for a combined audio system and digital photo frame, as shown and described.

DESCRIPTION

FIG. 1 is a perspective view of a first embodiment of a combined audio system and a digital photo frame showing our new design;

FIG. 2 is a front elevational view thereof;

FIG. 3 is a left side elevational view thereof;

FIG. 4 is a right side elevational view thereof;

FIG. 5 is a top plan view thereof; and,

FIG. 6 is a bottom plan view thereof.

FIG. 7 is a perspective view of a second embodiment of a combined audio system and a digital photo frame showing our new design;

FIG. 8 is a front elevational view thereof;

FIG. 9 is a left side elevational view thereof;

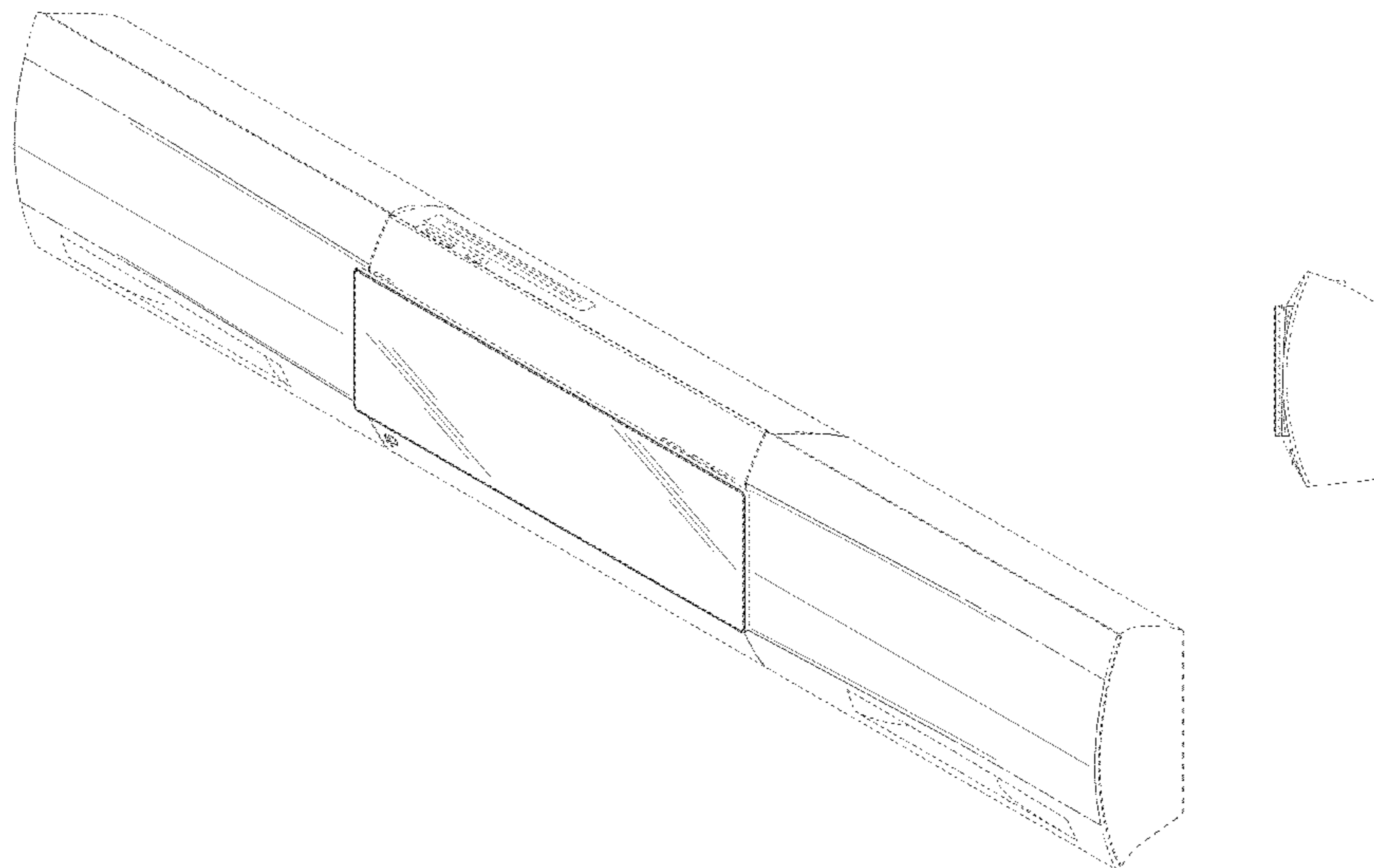
FIG. 10 is a right side elevational view thereof;

FIG. 11 is a top plan view thereof; and,

FIG. 12 is a bottom plan view thereof.

The dot-dash broken lines represent the bounds of the claimed design while all other broken lines are included for the purpose of illustrating the unclaimed portions of the article; the broken lines form no part of the claimed design.

1 Claim, 8 Drawing Sheets



US D684,947 S

Page 2

U.S. PATENT DOCUMENTS

D602,465 S * 10/2009 Mills et al. D14/168
D615,959 S 5/2010 Xiao
D628,608 S * 12/2010 Motoishi D15/139
D632,670 S * 2/2011 Chow D14/209.1
D645,449 S * 9/2011 Kusuki D14/214
D655,690 S * 3/2012 Yagi D14/214
D659,669 S * 5/2012 Sarif et al. D14/188
8,254,622 B2 * 8/2012 Jiang et al. 381/386

FOREIGN PATENT DOCUMENTS

JP D1087813 S 10/2000
JP D1094701 S 12/2000
JP D1096841 S 1/2001
JP D1099982 S 2/2001
JP D1118228 S 8/2001
JP D1118229 S 8/2001
JP D1118435 S 8/2001
JP D1137454 S 4/2002
JP D1138083 S 4/2002
JP D1138119 S 4/2002
JP D1138120 S 4/2002
JP D1138560 S 4/2002
JP D1201510 S 4/2004
JP D1212543 S 7/2004
JP D1225221 S 12/2004
JP D1225656 S 12/2004

JP D1249179 S 8/2005
JP D1257712 S 12/2005
JP D1265969 S 3/2006
JP D1265971 S 3/2006
JP D1266026 S 3/2006
JP D1266380 S 3/2006
JP D1266575 S 3/2006
JP D1277300 S 7/2006
JP D1277303 S 7/2006
JP D1277304 S 7/2006
JP D1277305 S 7/2006
JP D1277465 S 7/2006
JP D1293711 S 2/2007
JP D1293712 S 2/2007
JP D1294301 S 2/2007
JP D1294628 S 2/2007
JP D1294629 S 2/2007
JP D1294630 S 2/2007
JP D1294631 S 2/2007
JP D1303162 S 6/2007
JP D1307049 S 8/2007
JP D1307208 S 8/2007
JP D1307415 S 8/2007
JP D1307416 S 8/2007
JP D1307417 S 8/2007
JP D1328552 S 4/2008

* cited by examiner

FIG.1

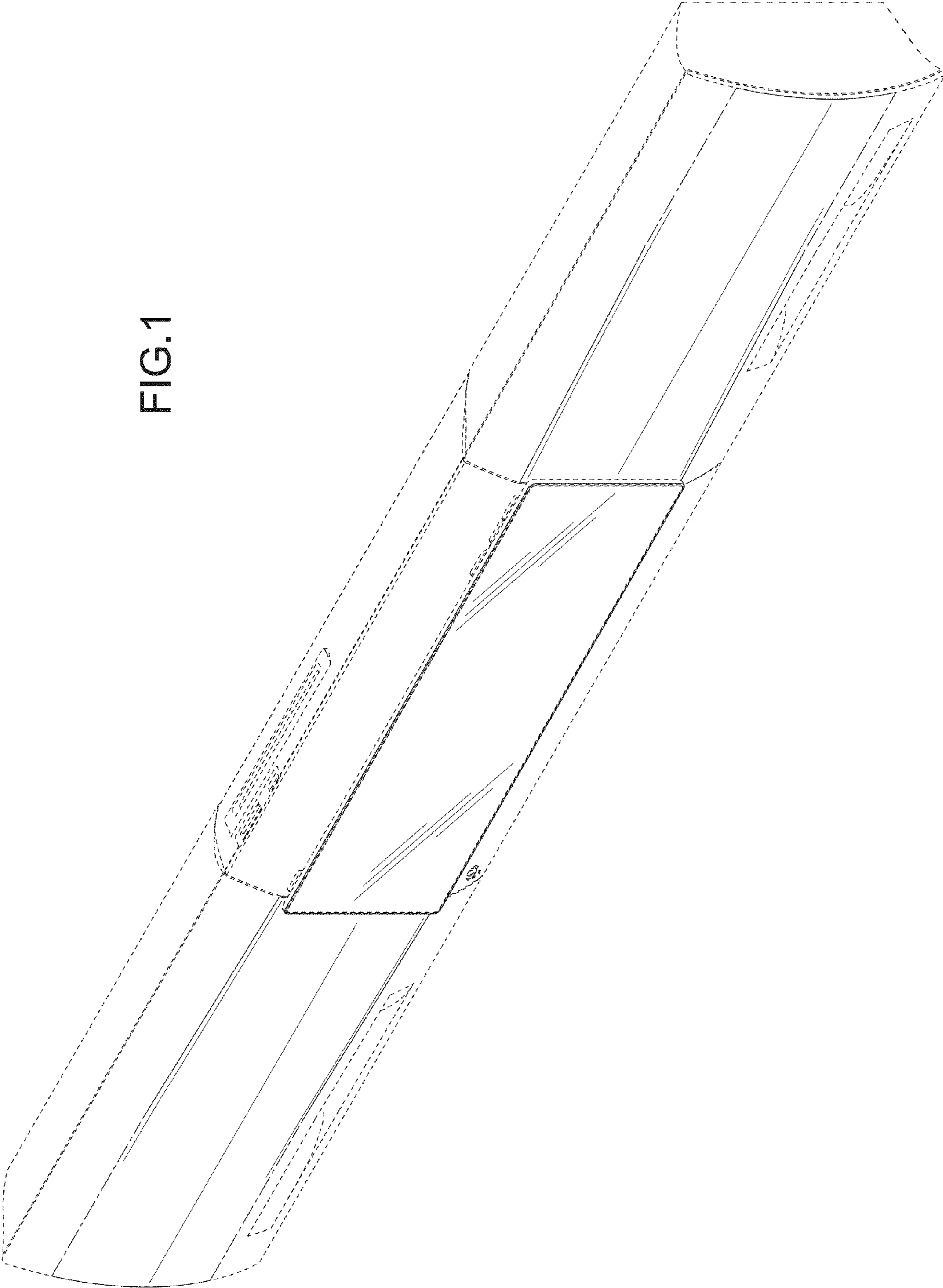


FIG.2

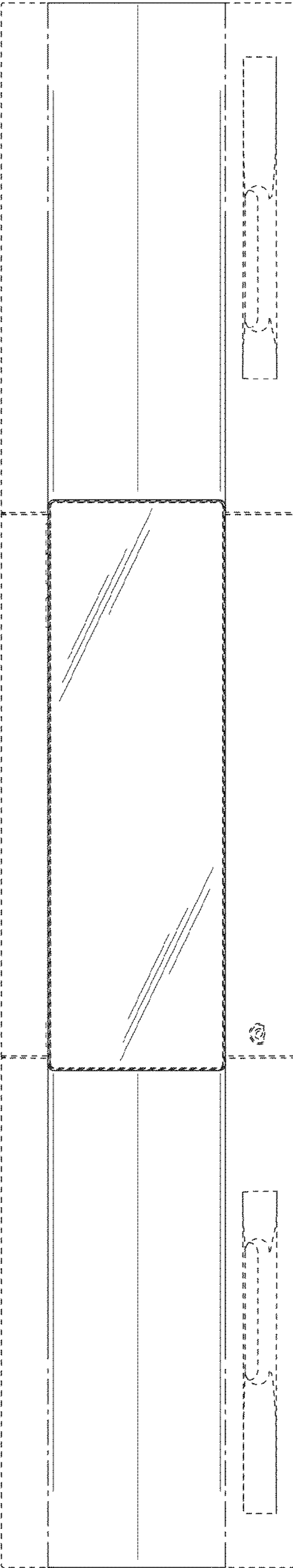


FIG.3

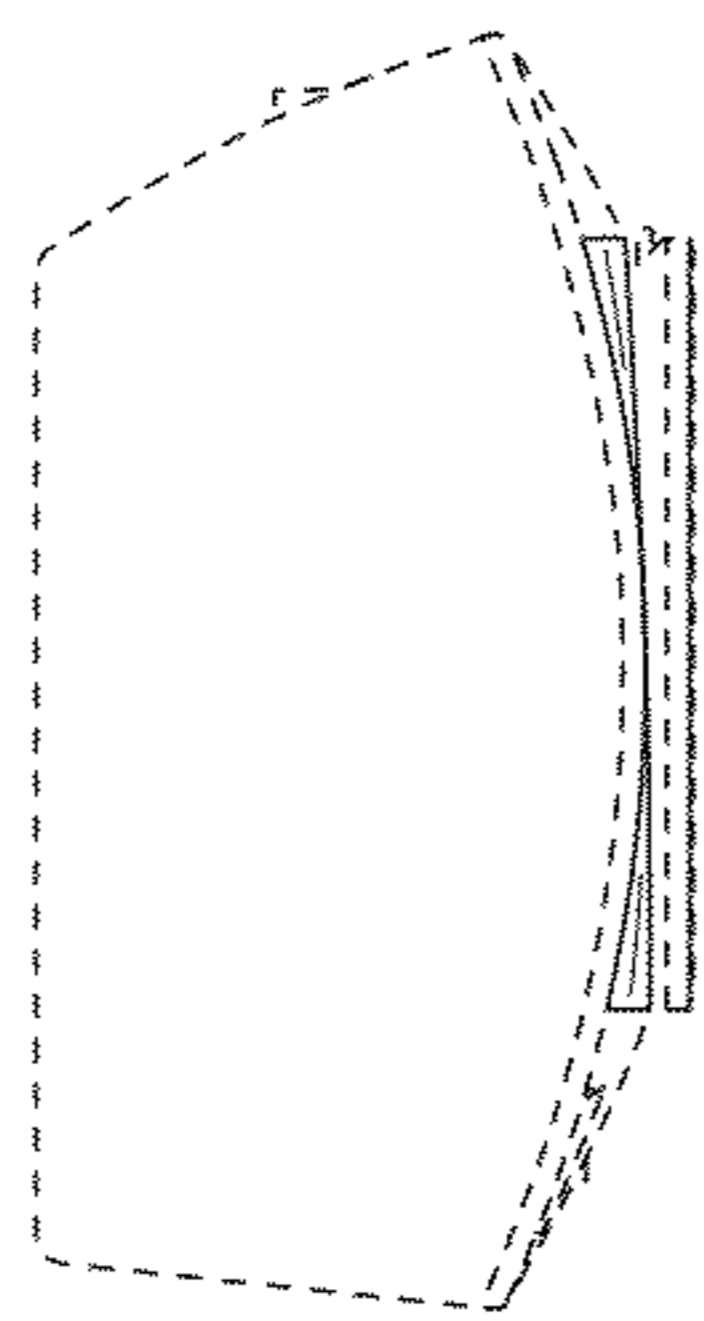


FIG.4

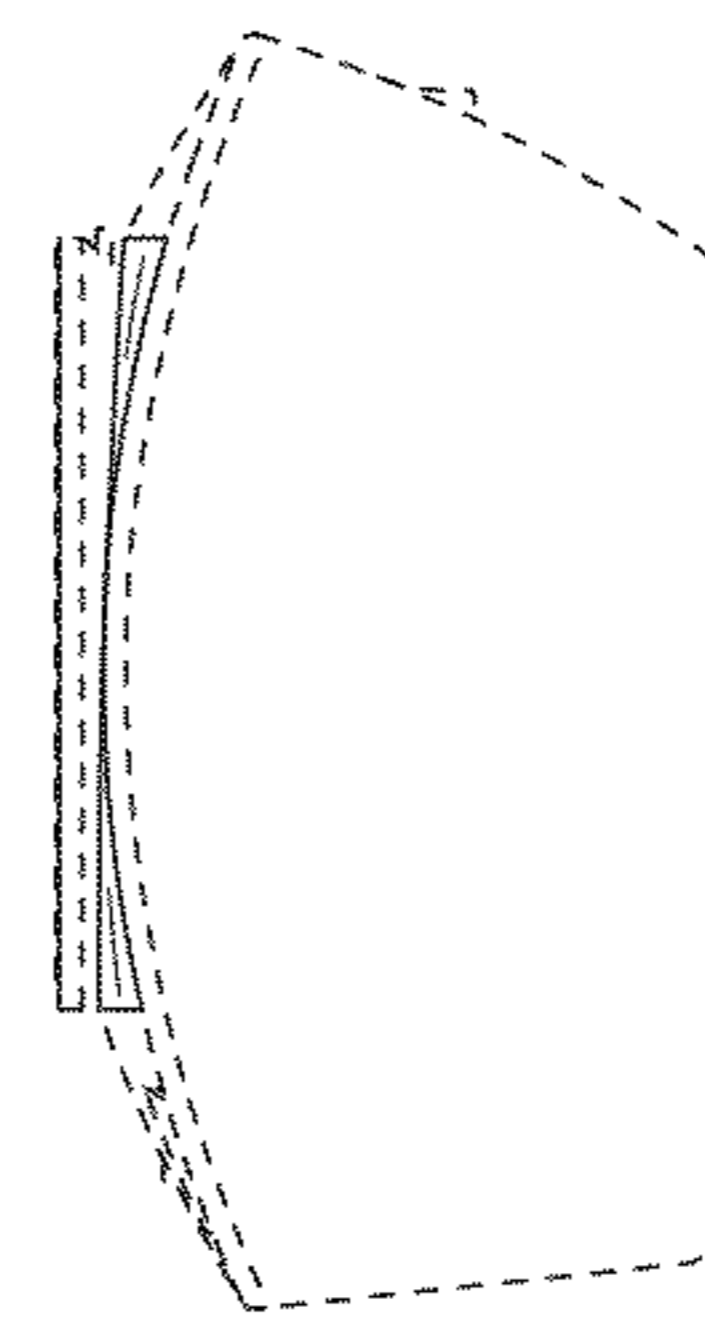


FIG.5

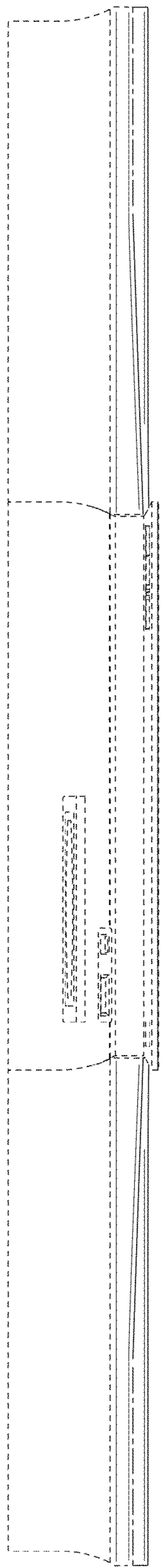


FIG.6

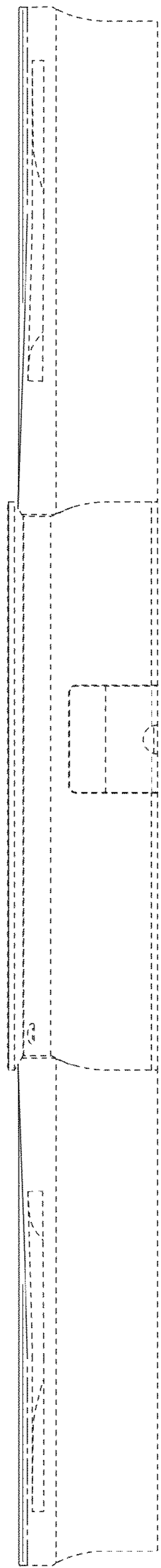


FIG. 7

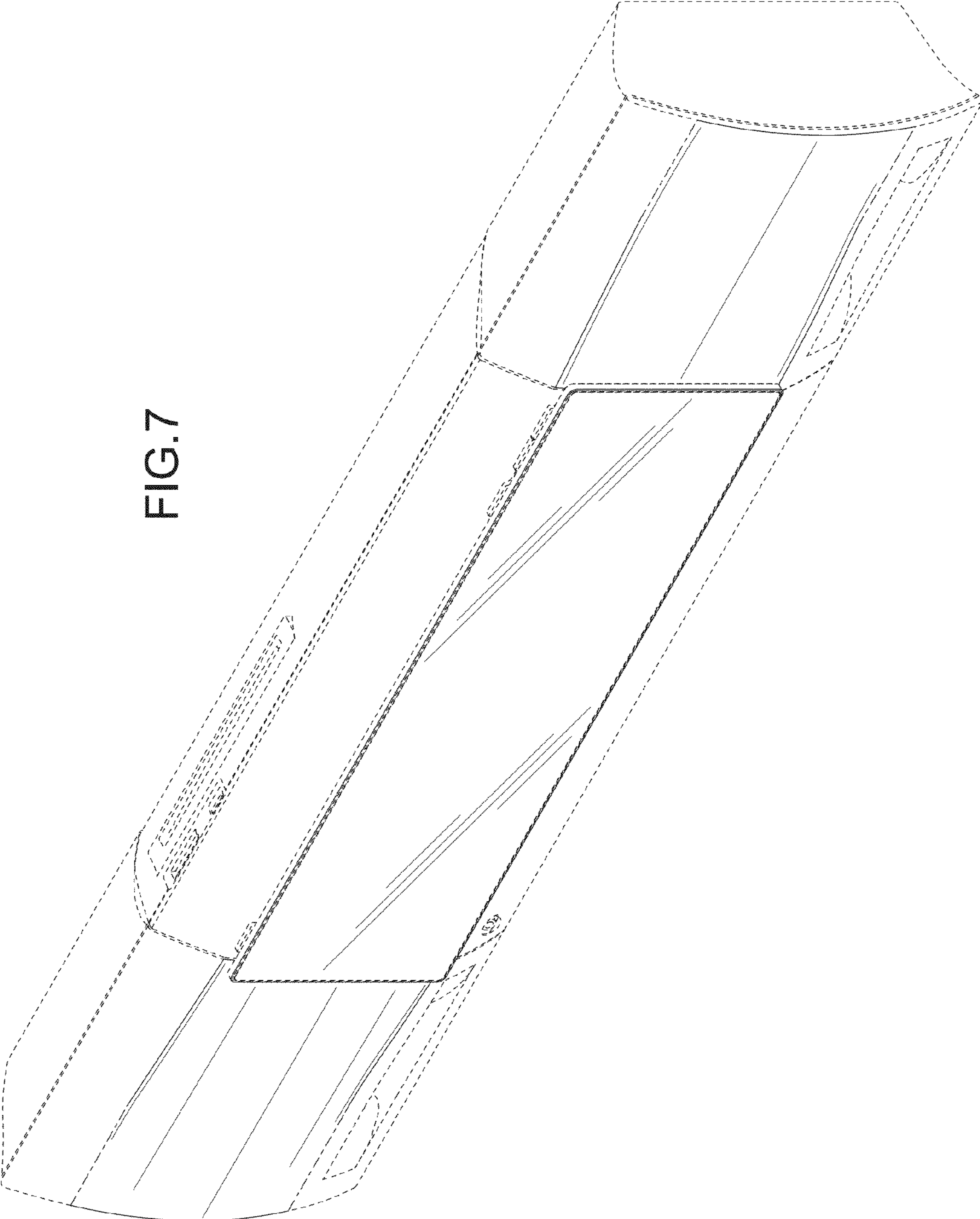


FIG. 8

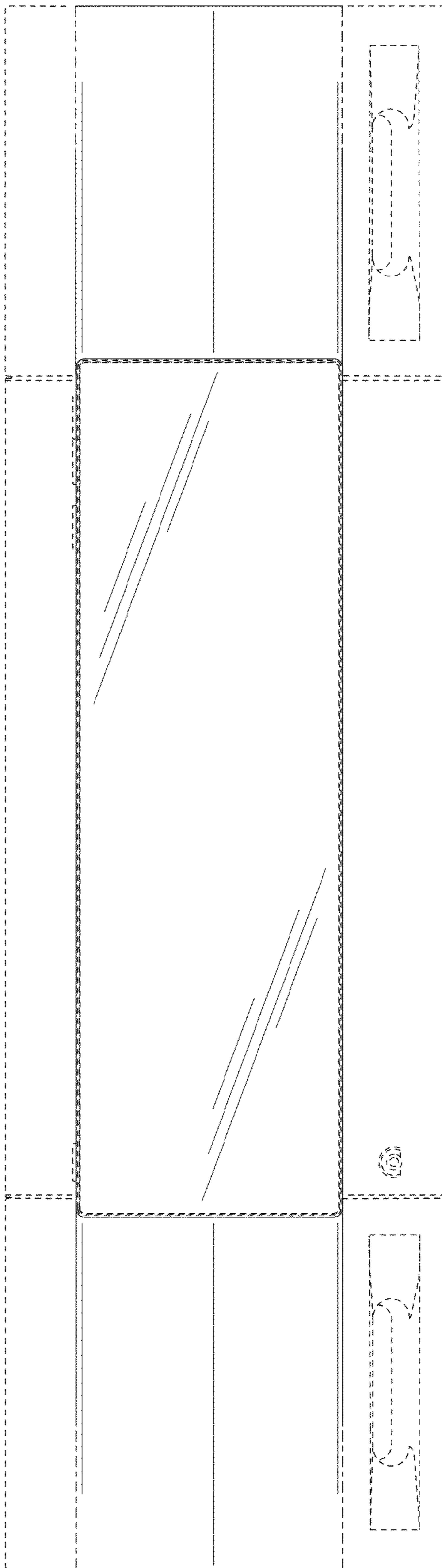


FIG.9

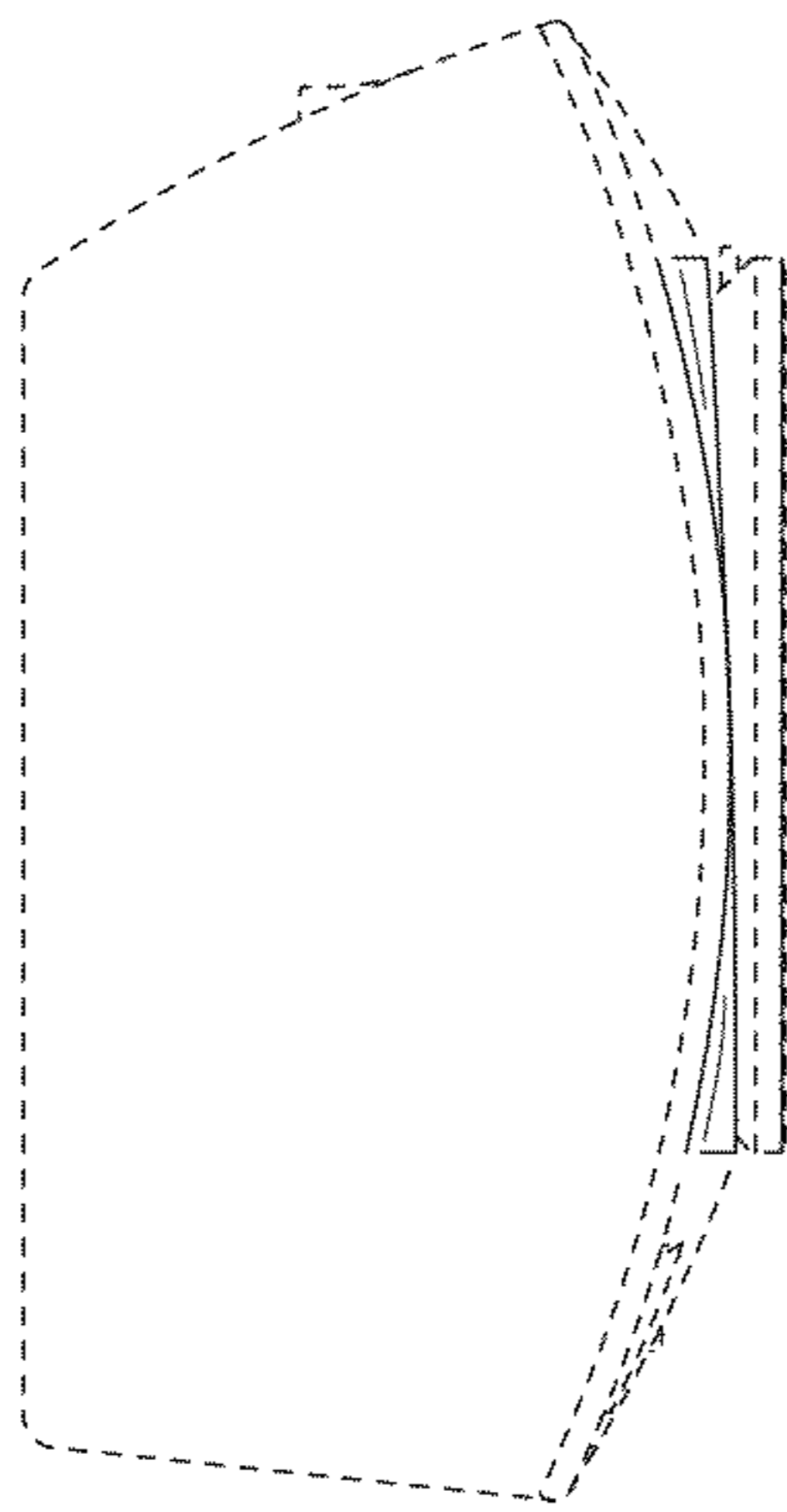


FIG.10

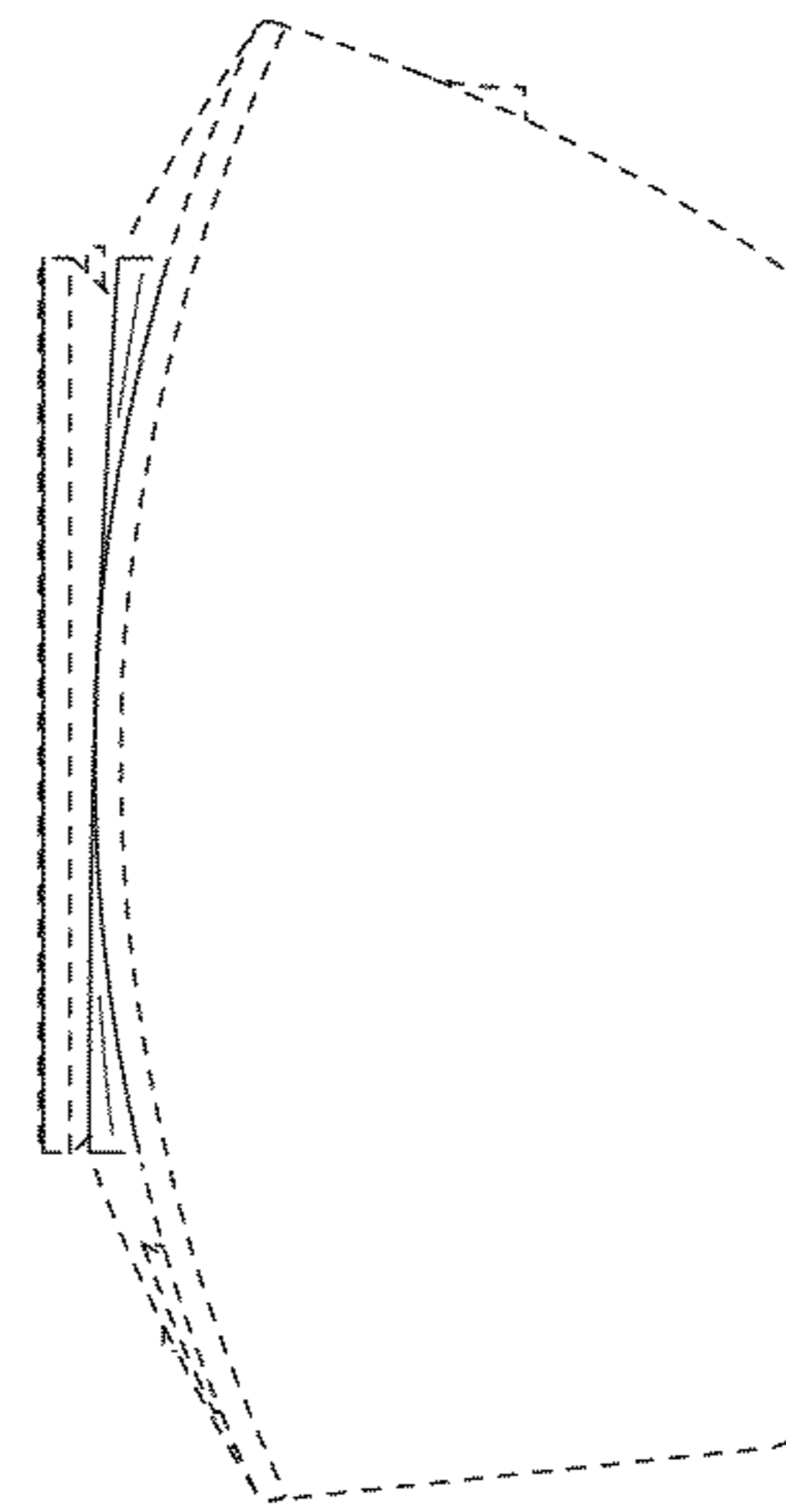


FIG.11

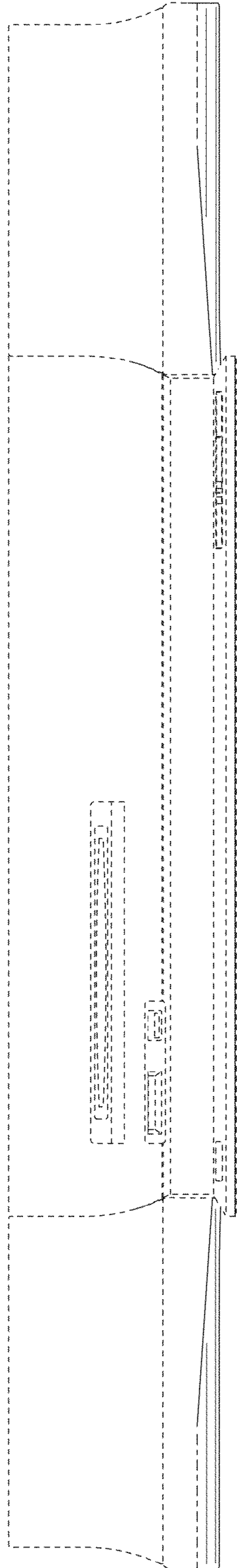


FIG.12

