



US00D684945S

(12) **United States Design Patent**
Kang et al.

(10) **Patent No.:** **US D684,945 S**
(45) **Date of Patent:** **** Jun. 25, 2013**

(54) **MONITOR TV**

(71) Applicant: **LG Electronics Inc.**, Seoul (KR)

(72) Inventors: **Seungmo Kang**, Seoul (KR); **Jaeneung Jung**, Anyang-si (KR); **Byungmu Huh**, Seoul (KR)

(73) Assignee: **LG Electronics Inc.**, Seoul (KR)

(**) Term: **14 Years**

(21) Appl. No.: **29/440,042**

(22) Filed: **Dec. 18, 2012**

(30) **Foreign Application Priority Data**

Jul. 6, 2012 (KR) 30-2012-0033043

(51) **LOC (9) Cl.** **14-03**

(52) **U.S. Cl.**
USPC **D14/126**

(58) **Field of Classification Search**
USPC .. D14/125-134, 239, 371, 374-377; 312/7.2;
341/12; 248/917-924; 345/104, 133, 156,
345/168, 87, 173; 720/605, 669, 600, 655;
369/99, 197; 455/344, 347; D21/329, 515,
D21/577, 622, 333, 433, 448, 452, 450, 331;
D6/477, 479, 300; 273/148 B; 446/484, 175,
446/356; D10/15, 26

See application file for complete search history.

(56) **References Cited**

U.S. PATENT DOCUMENTS

D534,879	S	*	1/2007	Imboden et al.	D14/126
D605,149	S	*	12/2009	Kim et al.	D14/126
D620,903	S	*	8/2010	Song et al.	D14/126
D628,172	S	*	11/2010	Chien	D14/126
D652,811	S	*	1/2012	Kim et al.	D14/126
D661,269	S	*	6/2012	Lee et al.	D14/126
D663,705	S	*	7/2012	Park et al.	D14/126
D669,872	S	*	10/2012	Yagi	D14/126
D671,513	S	*	11/2012	Jang et al.	D14/126
D678,853	S	*	3/2013	Kim et al.	D14/126

* cited by examiner

Primary Examiner — Raphael Barkai

(74) *Attorney, Agent, or Firm* — Birch, Stewart, Kolasch & Birch, LLP

(57) **CLAIM**

The ornamental design for a monitor TV, as shown and described.

DESCRIPTION

FIG. 1 is a perspective view of a monitor TV showing our new design;
FIG. 2 is a front view thereof;
FIG. 3 is a rear view thereof;
FIG. 4 is a left side view thereof where the right side view is a mirror image;
FIG. 5 is a top plan view thereof;
FIG. 6 is a bottom plan view thereof; and,
FIG. 7 is a rear perspective view thereof.

1 Claim, 6 Drawing Sheets

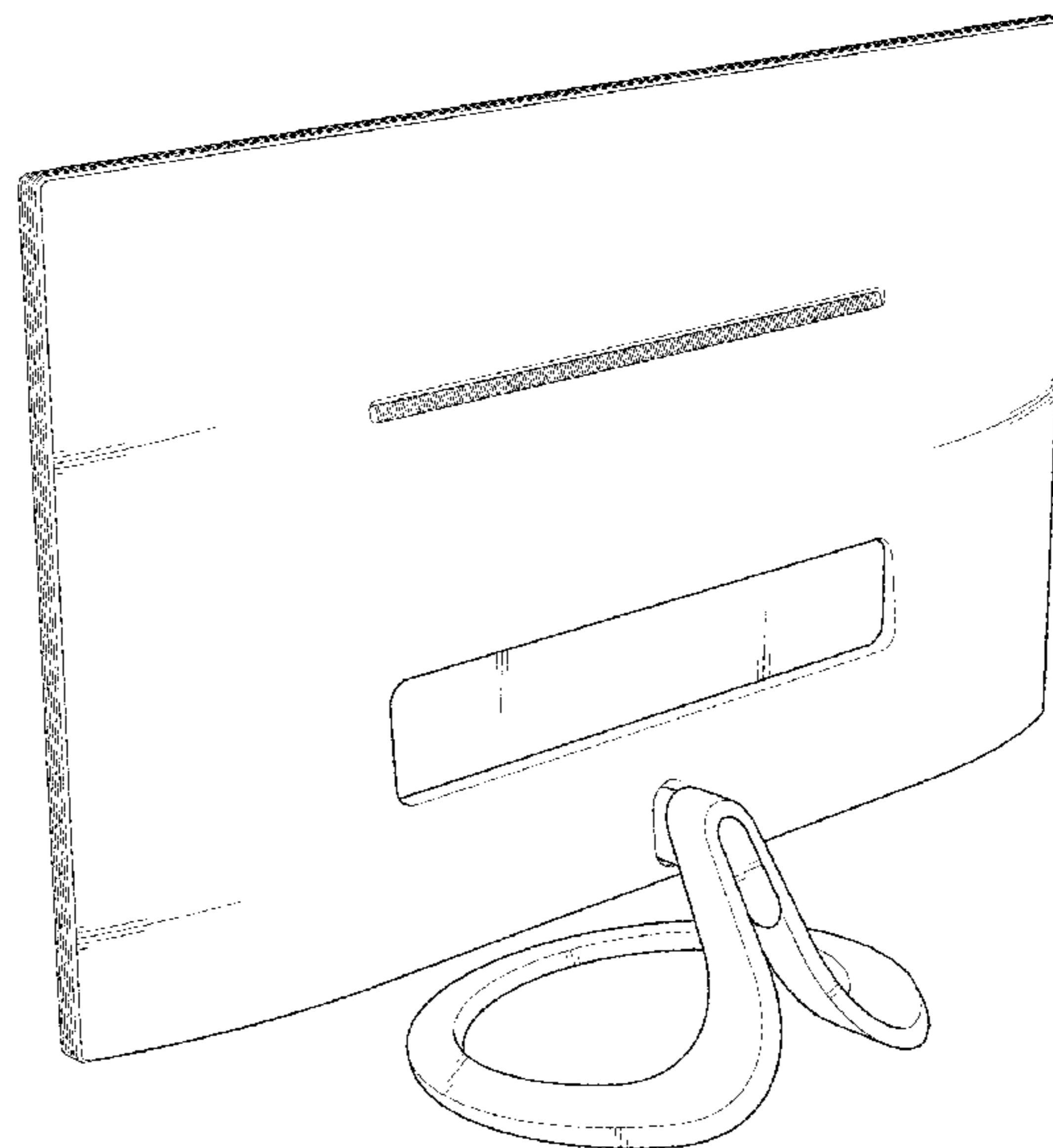
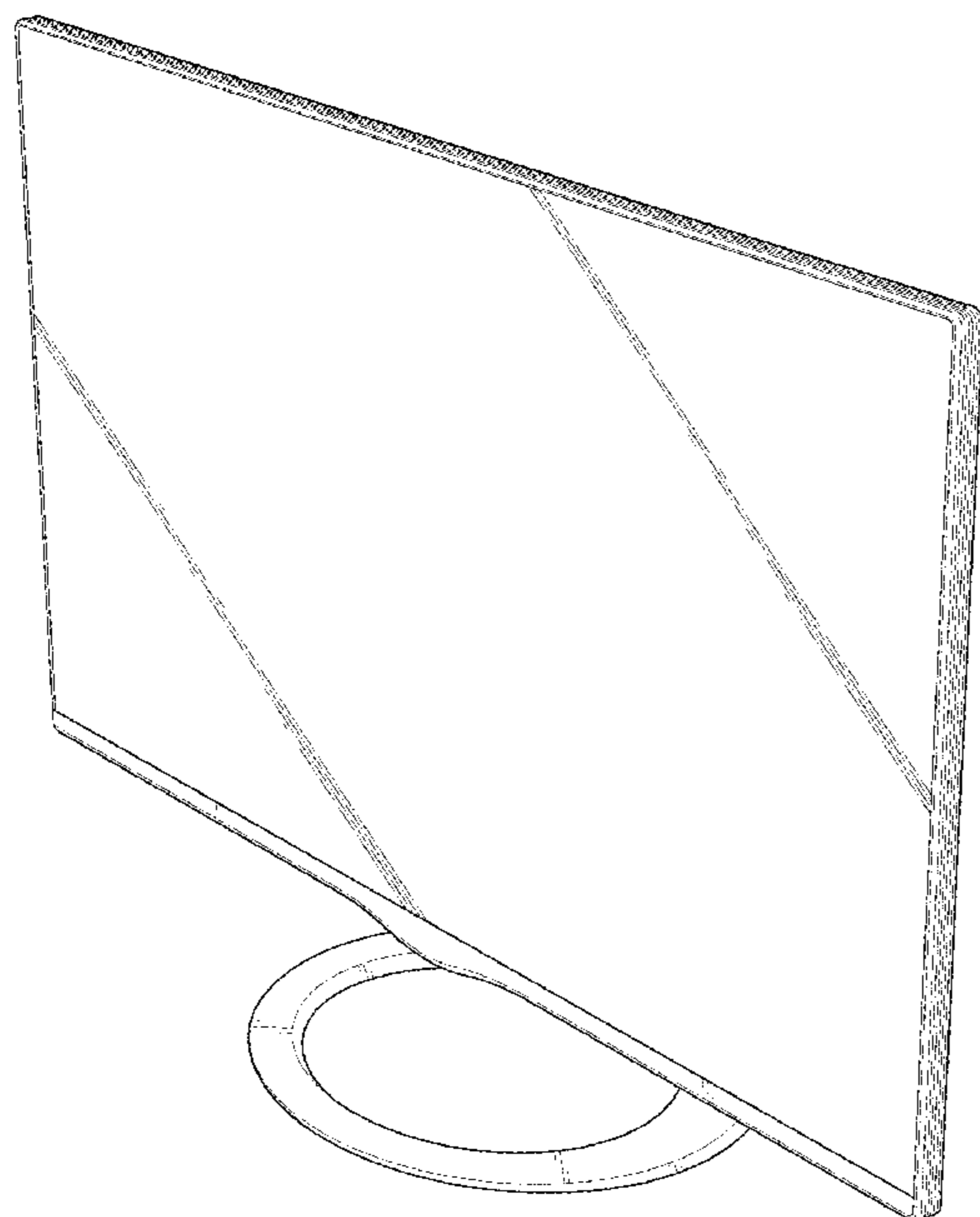


FIG. 1

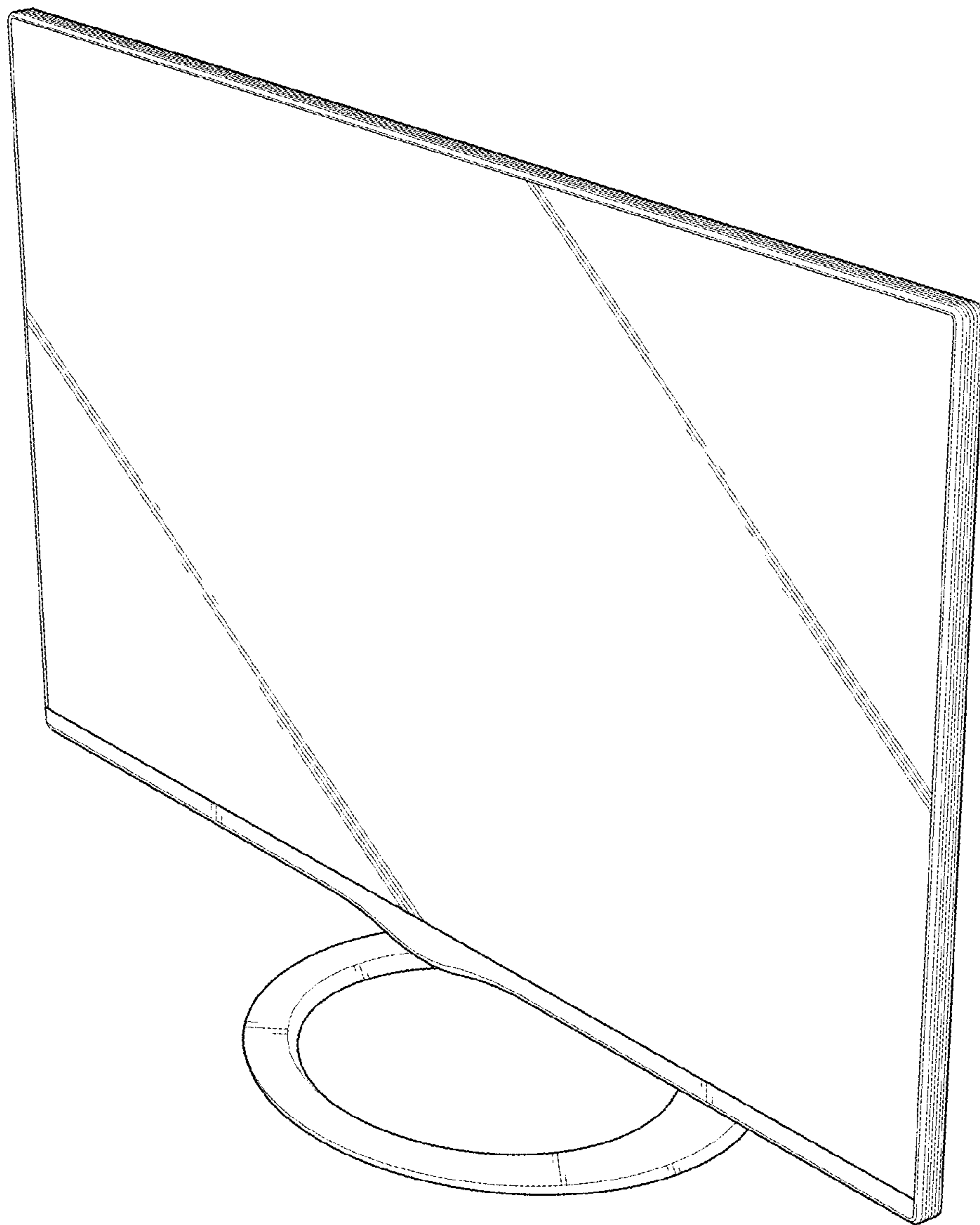


FIG. 2

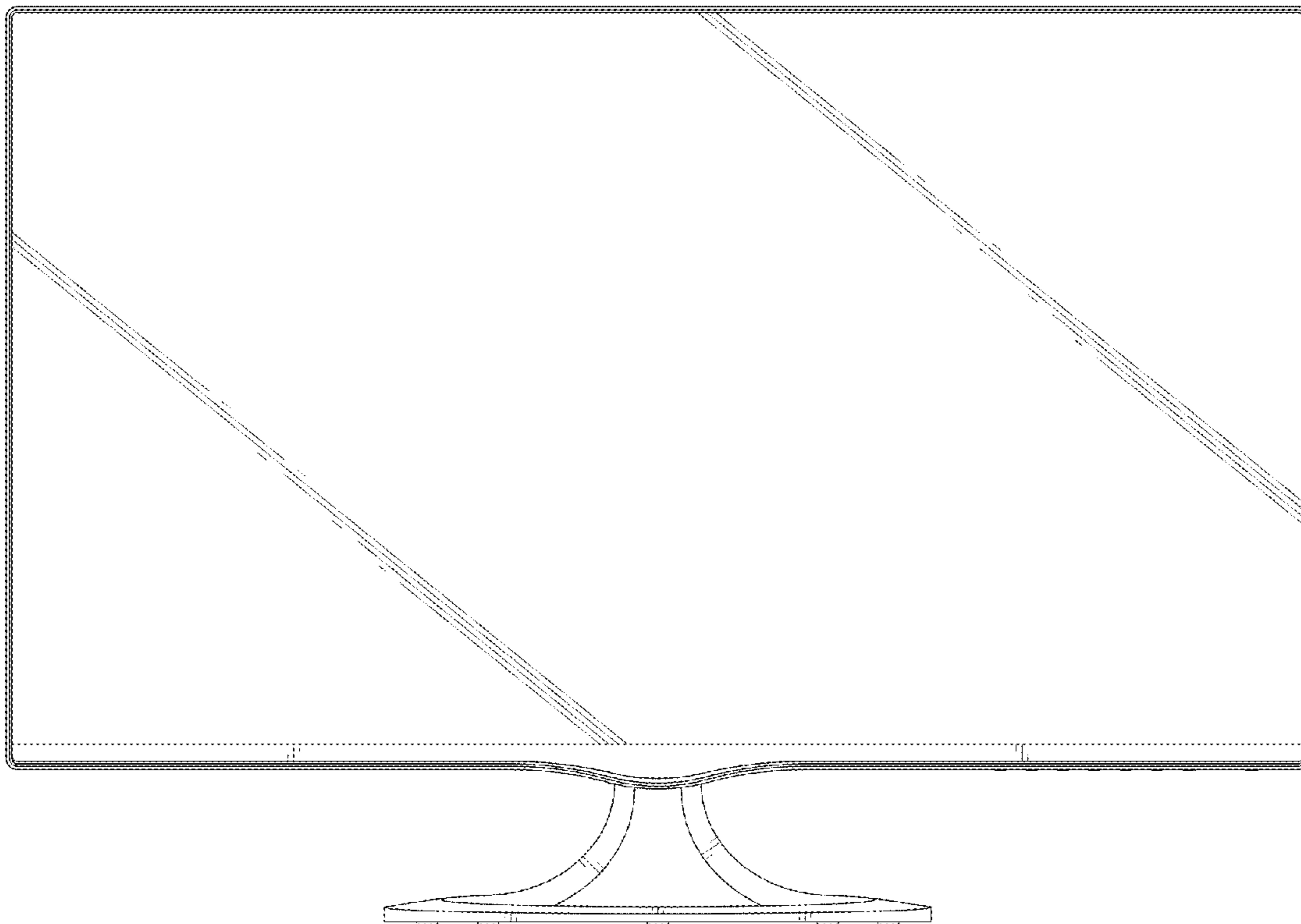


FIG. 3

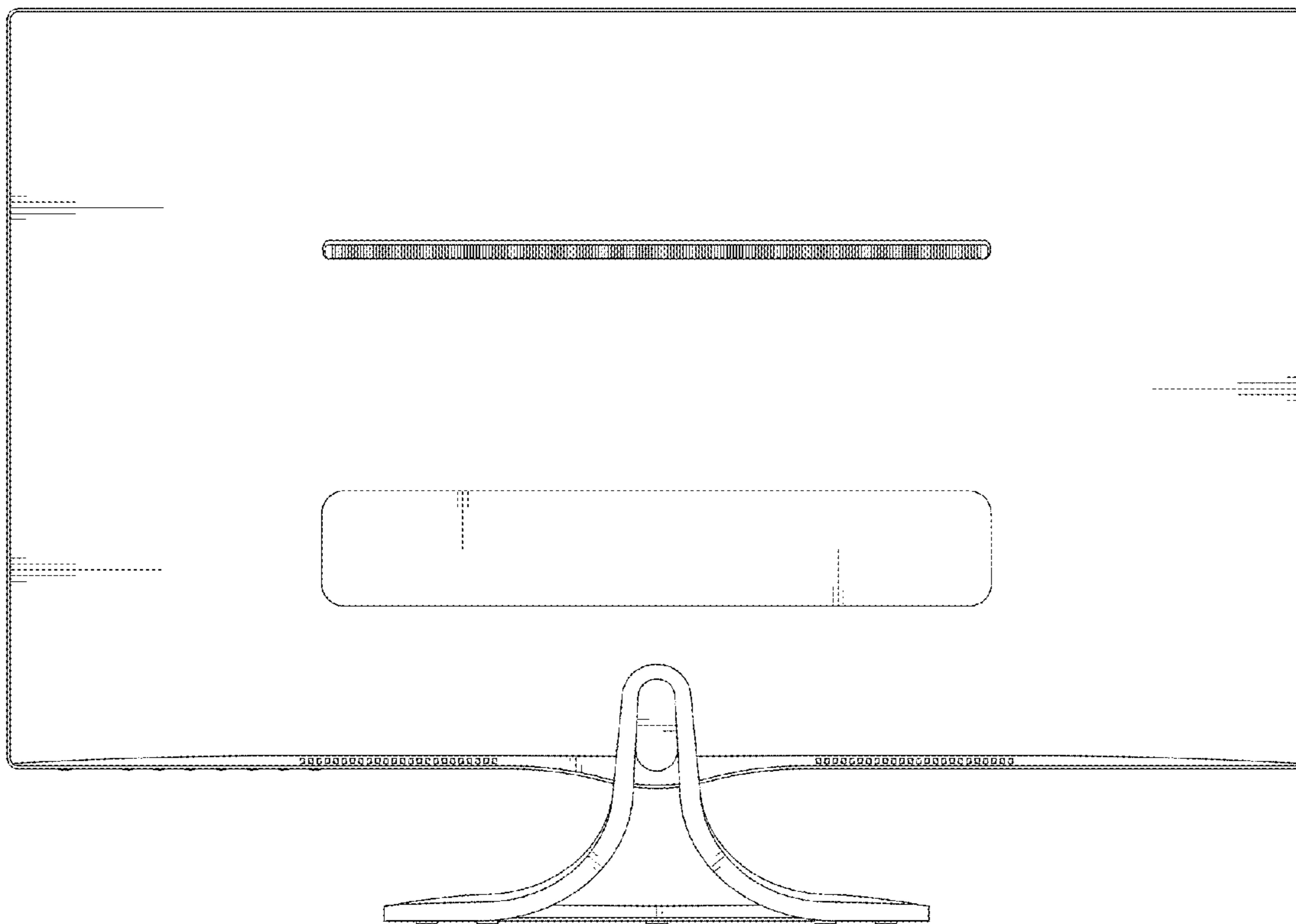


FIG. 4

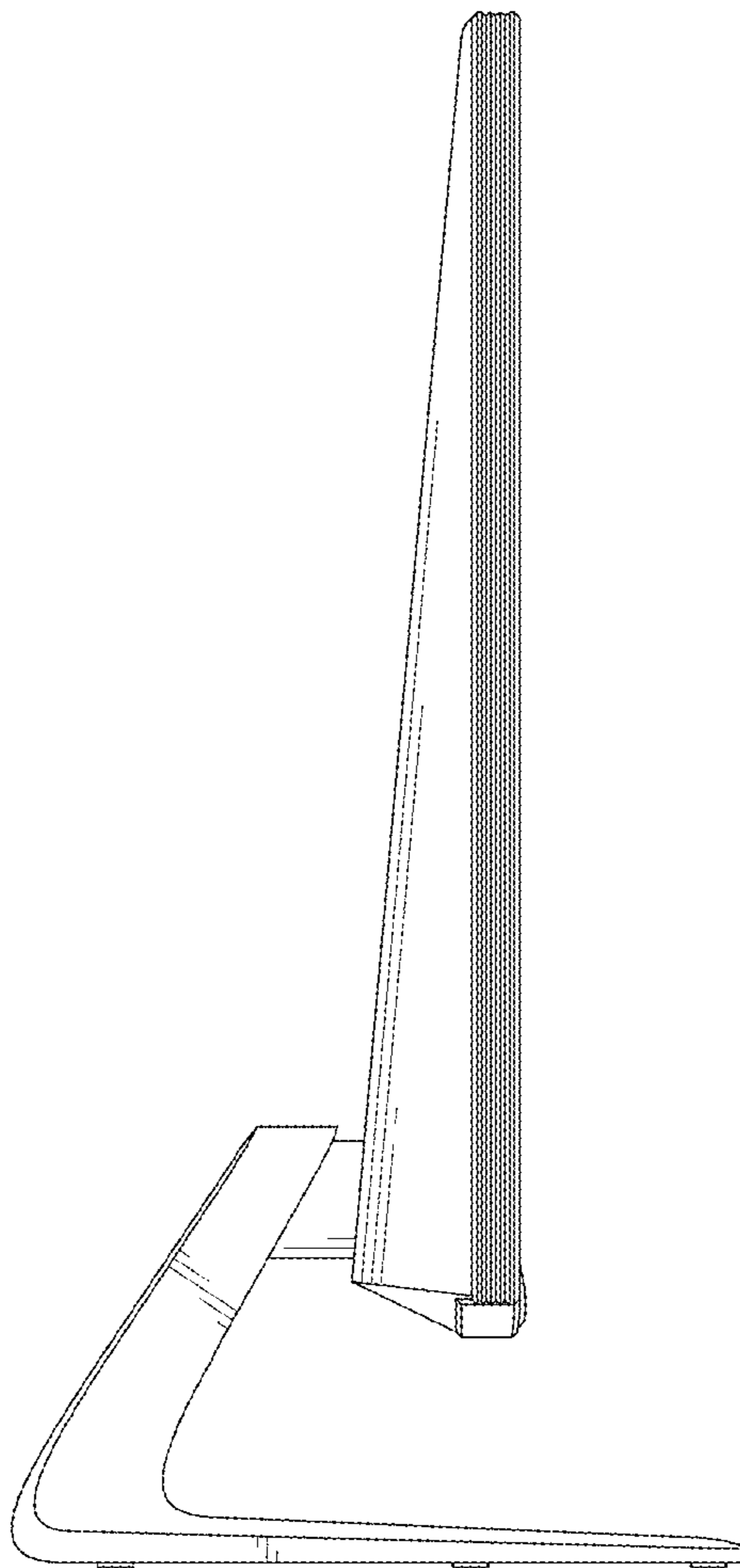


FIG. 5

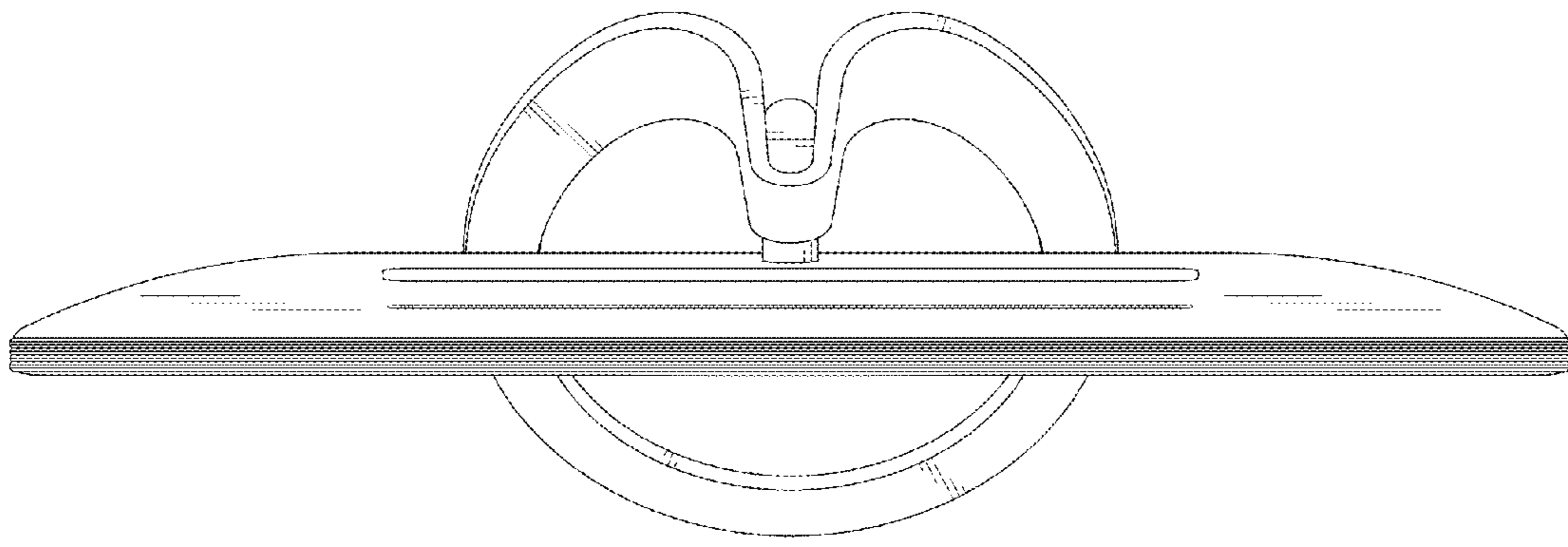


FIG. 6

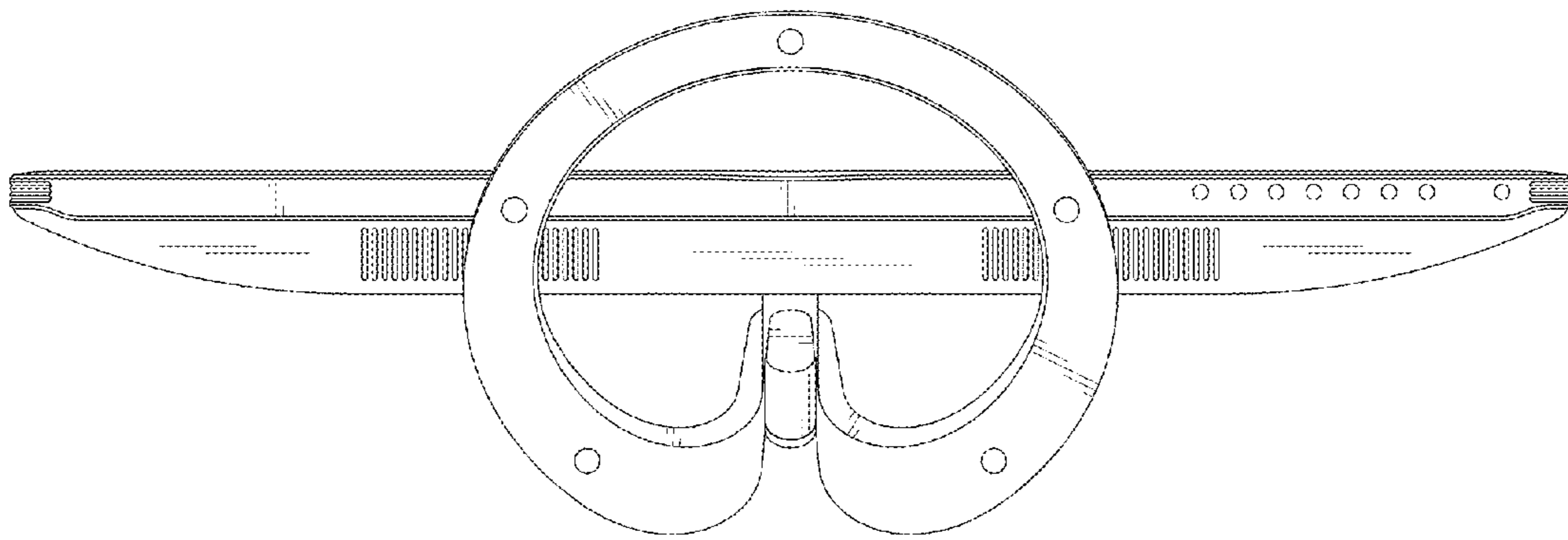


FIG. 7

