



US00D684943S

(12) **United States Design Patent**  
**Hsu**

(10) **Patent No.:** **US D684,943 S**  
(45) **Date of Patent:** **\*\* Jun. 25, 2013**

(54) **LIQUID-CRYSTAL DISPLAY TELEVISION**

(75) Inventor: **Shiau-Rung Hsu**, New Taipei (TW)

(73) Assignee: **Top Victory Investments Ltd.**, Harbour (HK)

(\*\*) Term: **14 Years**

(21) Appl. No.: **29/390,285**

(22) Filed: **Apr. 22, 2011**

(51) **LOC (9) Cl.** ..... **14-03**

(52) **U.S. Cl.**  
USPC ..... **D14/126**

(58) **Field of Classification Search**

USPC ..... D14/125-134, 239, 371, 136, 374-377,  
D14/440, 450, 448, 336, 342, 159; 312/7.2;  
348/836, 838, 180, 184, 325, 739; 341/12;  
248/917-924, 465; 345/104, 133, 156, 168,  
345/87, 173; 720/605, 669, 600, 655; 369/99,  
369/197; 455/344, 347; D21/329, 515, 577,  
D21/622, 333, 433, 448, 452, 450, 331; D6/477,  
D6/479, 300; 273/148 B; 446/484, 175, 356;  
D10/15, 26

See application file for complete search history.

(56) **References Cited**

U.S. PATENT DOCUMENTS

|          |   |   |         |                  |       |         |
|----------|---|---|---------|------------------|-------|---------|
| D574,341 | S | * | 8/2008  | Kuramashi et al. | ..... | D14/126 |
| D637,574 | S | * | 5/2011  | Araki            | ..... | D14/126 |
| D644,193 | S | * | 8/2011  | Wang et al.      | ..... | D14/126 |
| D646,246 | S | * | 10/2011 | Kim et al.       | ..... | D14/126 |
| D658,613 | S | * | 5/2012  | Lee et al.       | ..... | D14/126 |
| D670,668 | S | * | 11/2012 | Chen et al.      | ..... | D14/126 |

\* cited by examiner

*Primary Examiner* — Raphael Barkai

(74) *Attorney, Agent, or Firm* — Alan Kamrath; Kamrath IP Lawfirm, P.A.

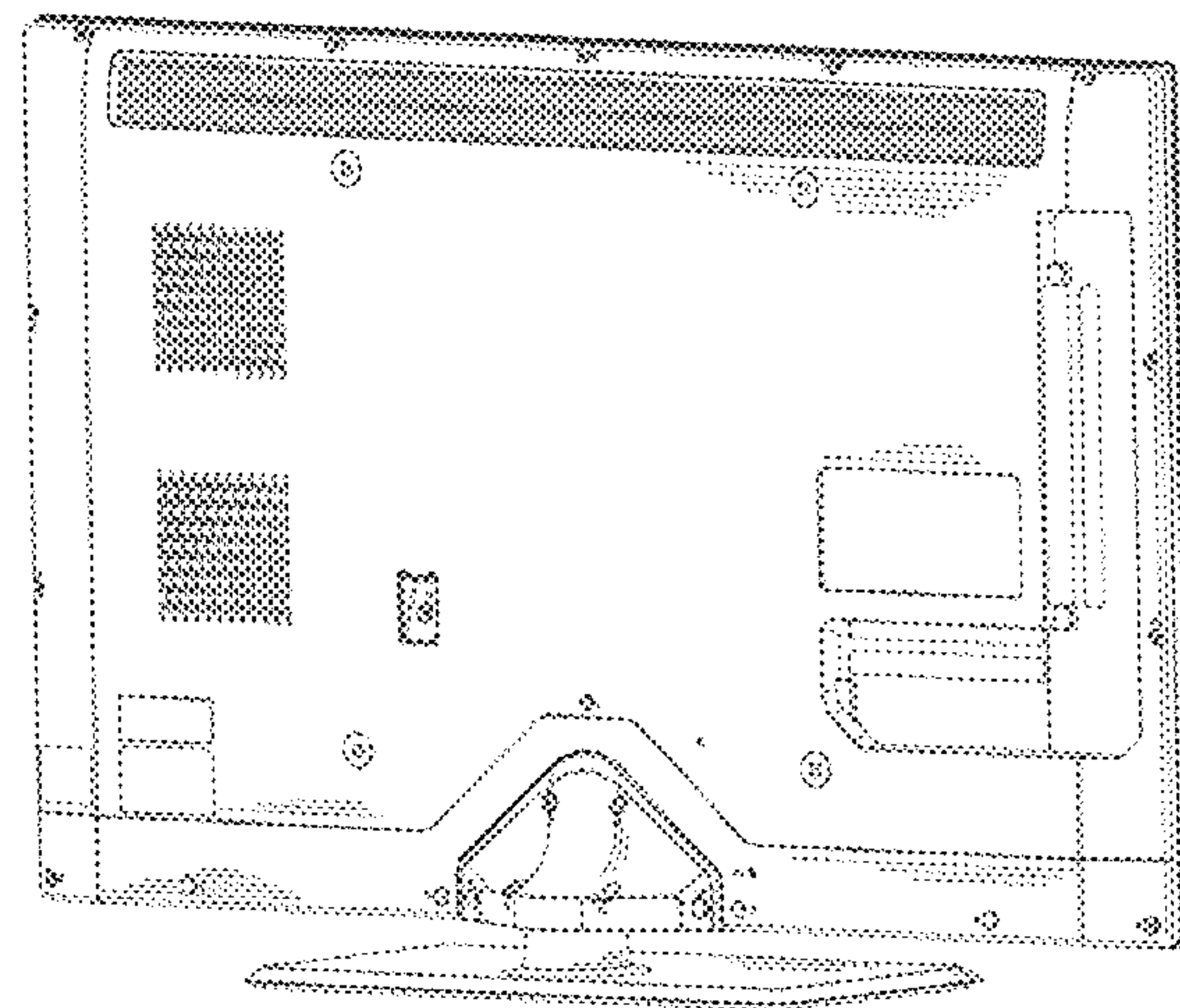
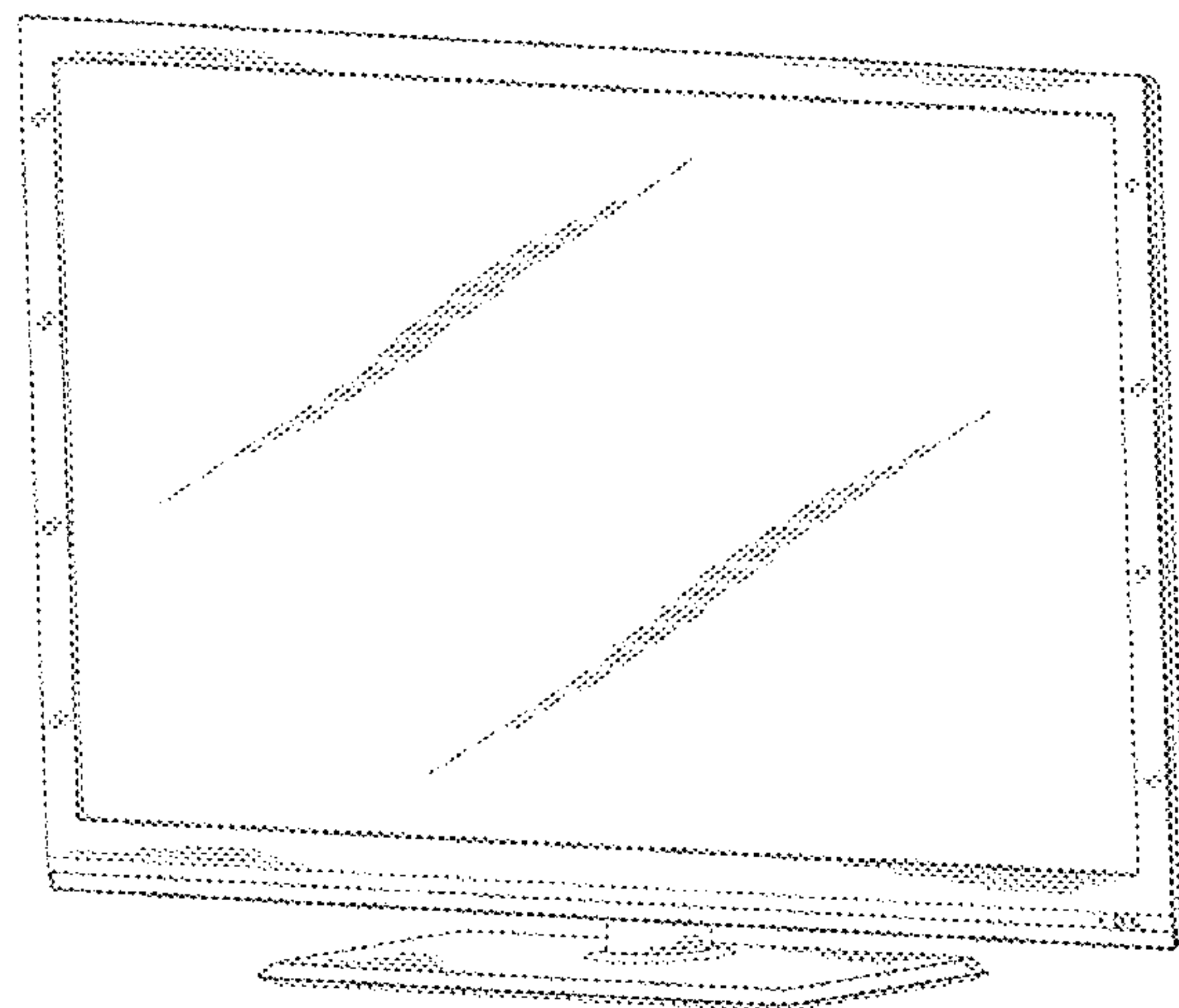
(57) **CLAIM**

The ornamental design for liquid-crystal display television, as shown and described.

**DESCRIPTION**

FIG. 1 is a perspective view of a liquid-crystal display television showing our new design;  
FIG. 2 is a front side elevational view thereof;  
FIG. 3 is a rear side elevational view thereof;  
FIG. 4 is a left elevational view thereof;  
FIG. 5 is a right elevational view thereof;  
FIG. 6 is a top plan view thereof;  
FIG. 7 is a bottom plan view thereof; and,  
FIG. 8 is a rear perspective view thereof.

**1 Claim, 8 Drawing Sheets**



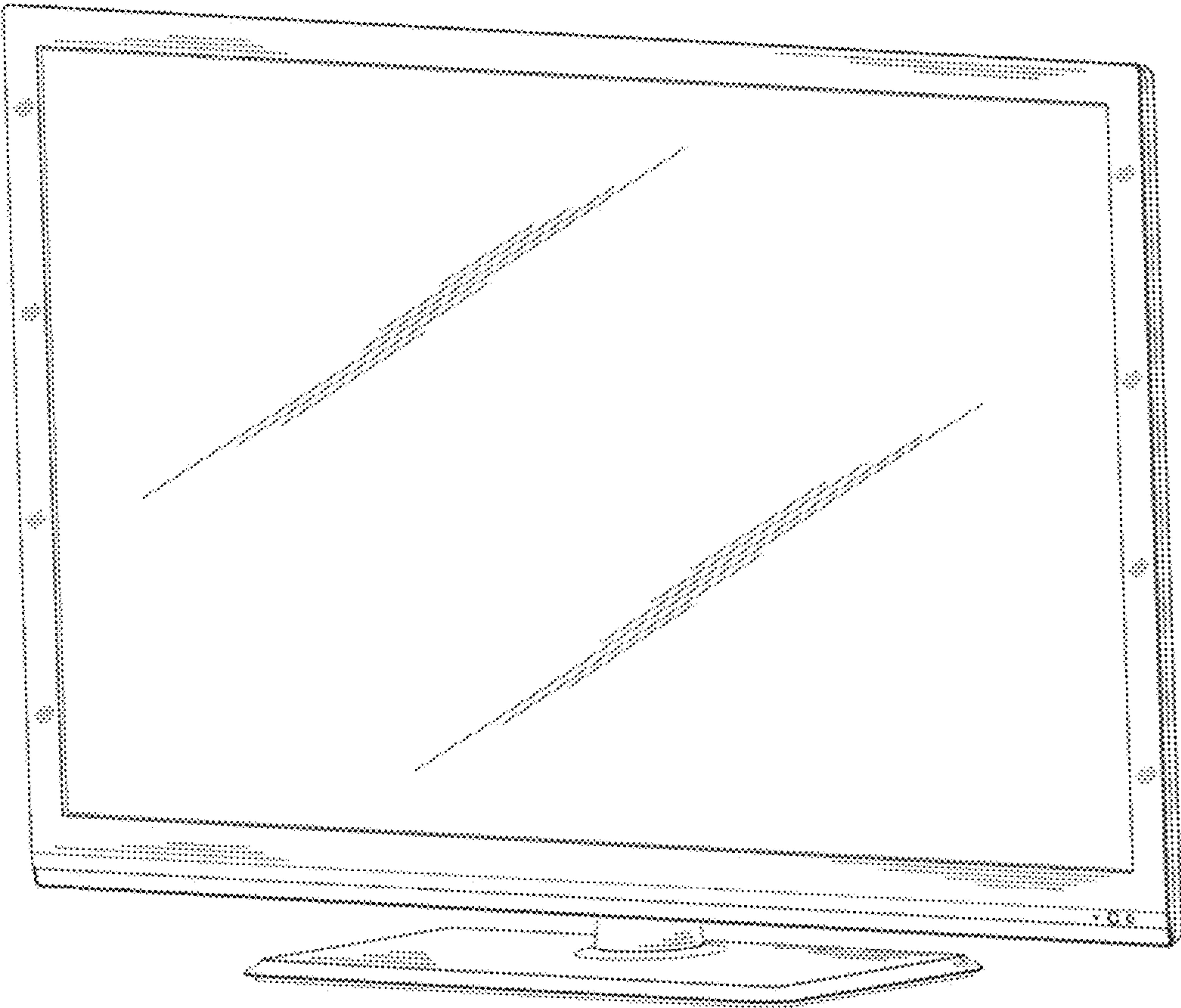


Fig. 1

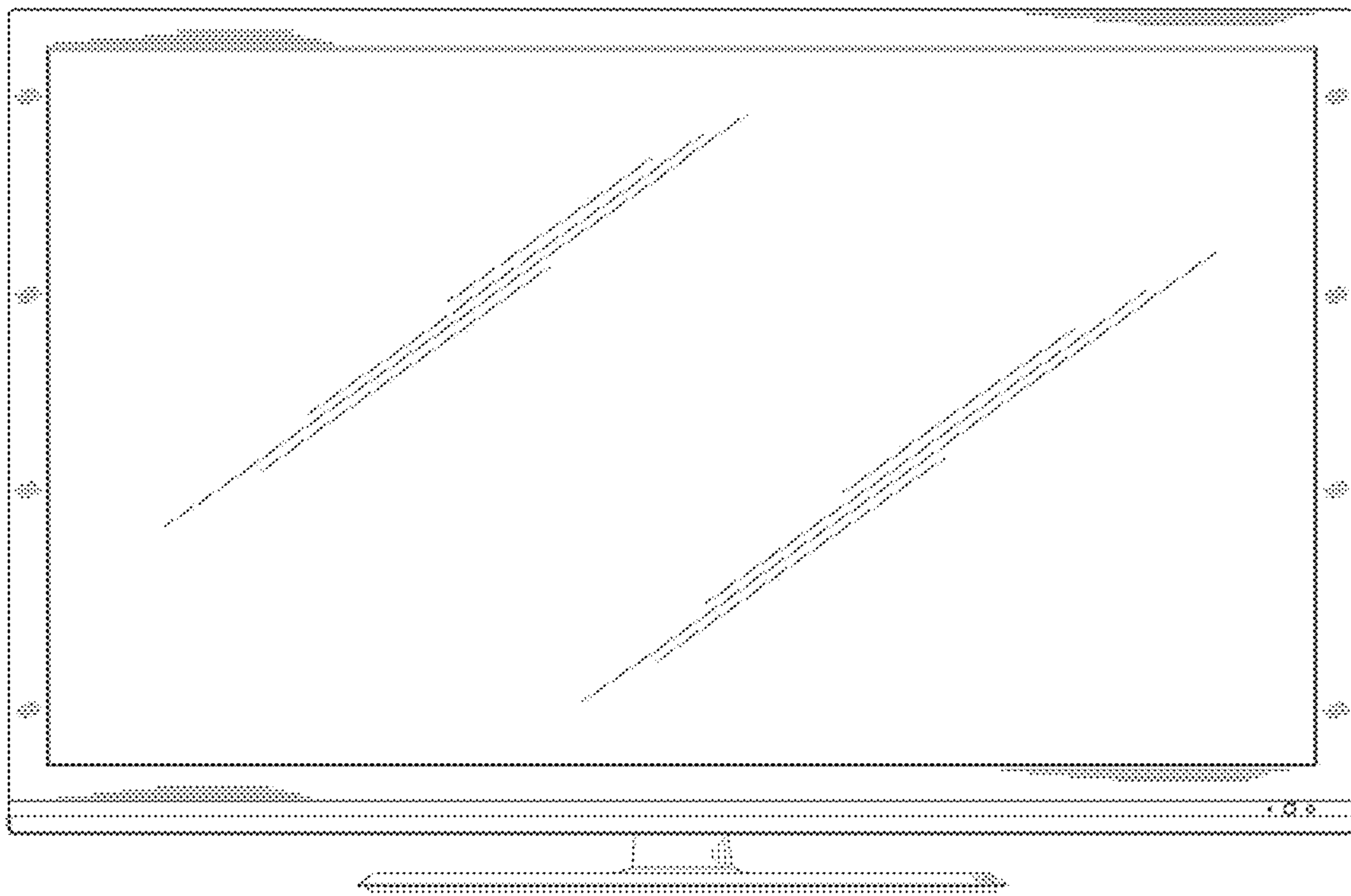


Fig. 2

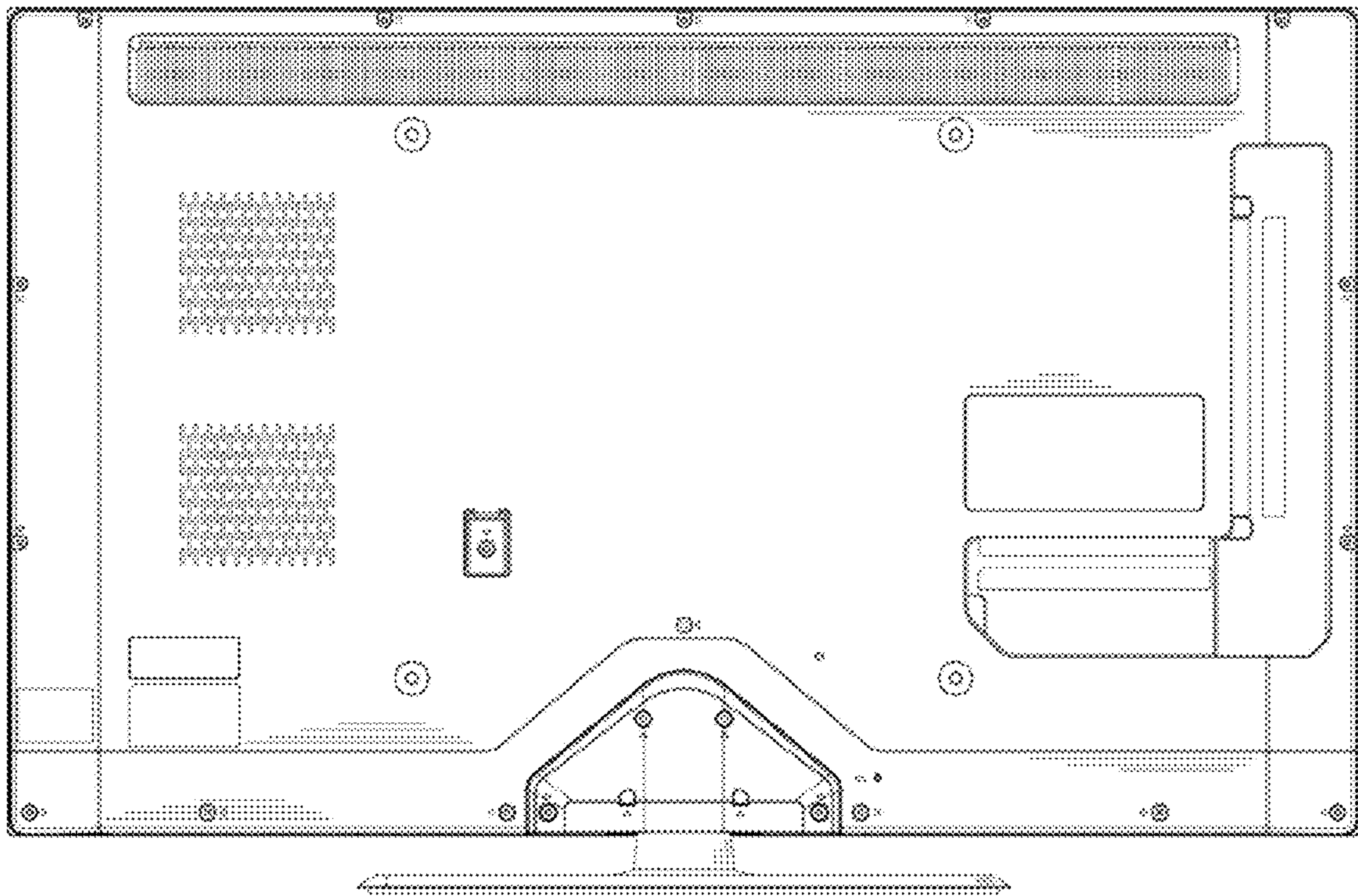


Fig. 3



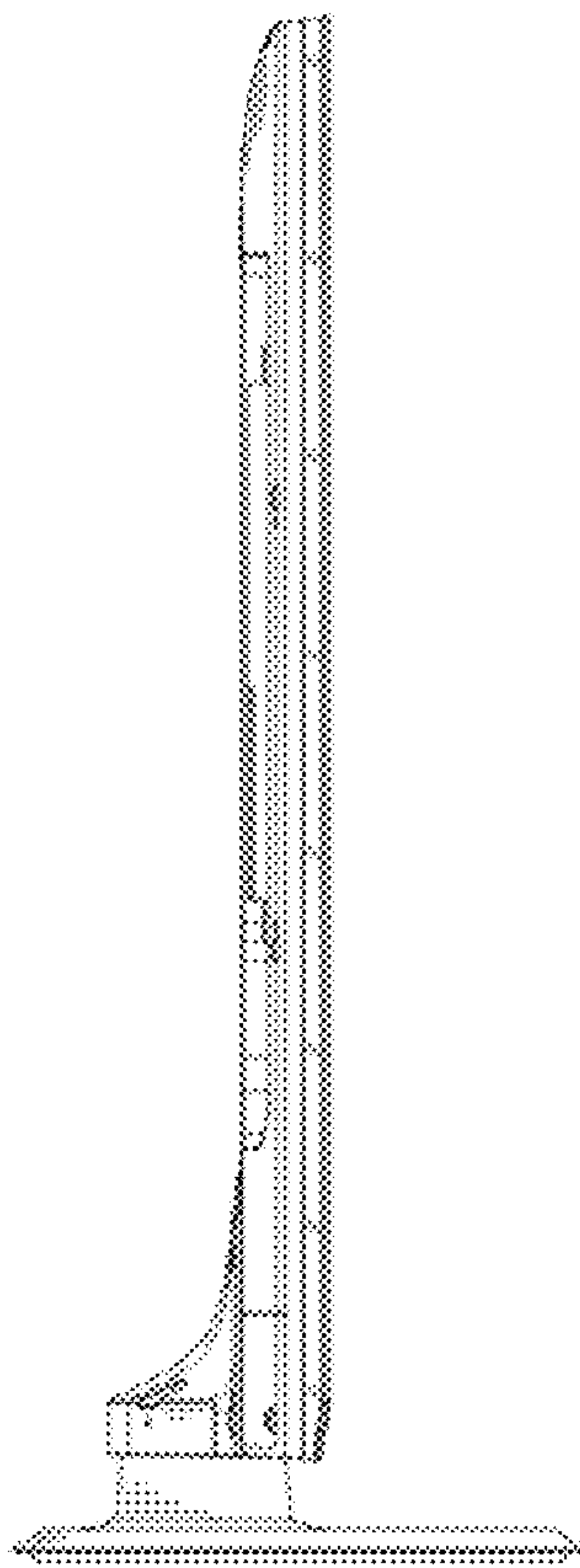


Fig. 4

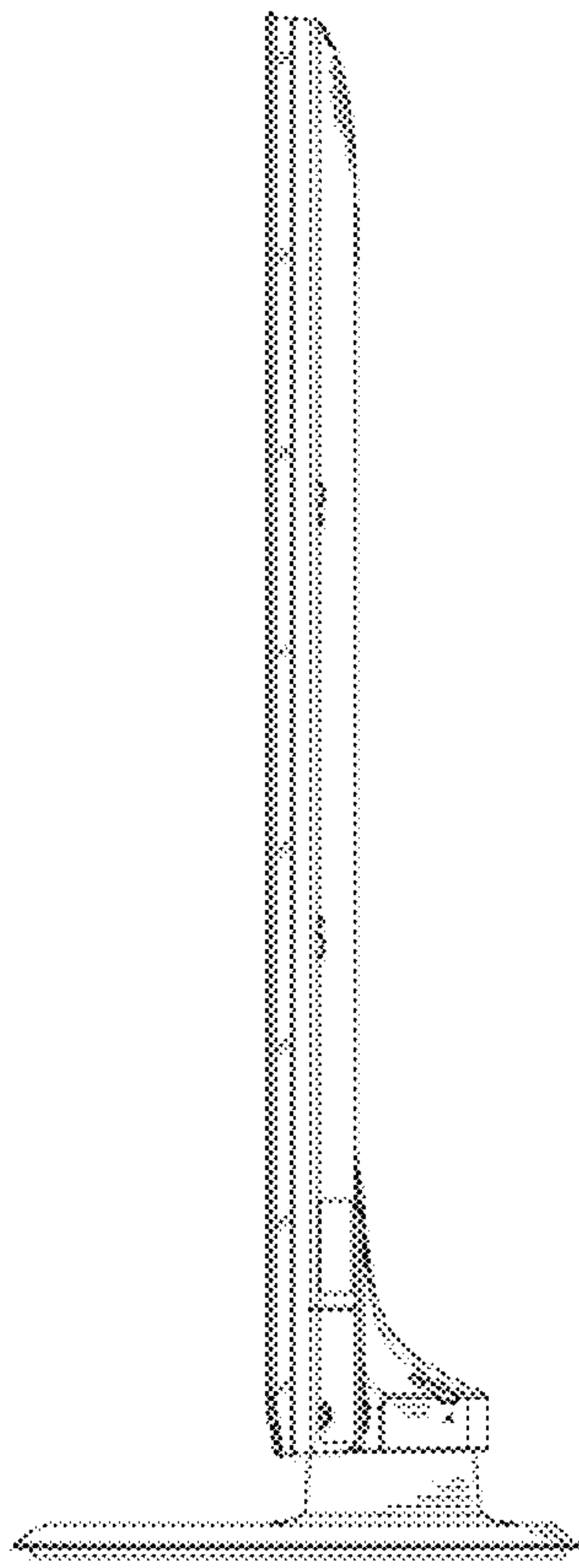


Fig. 5

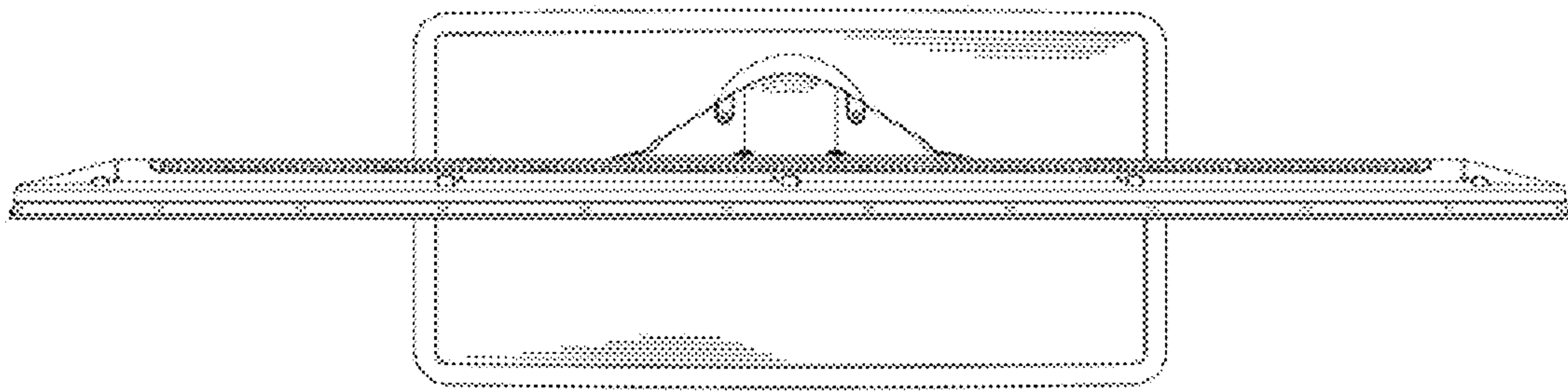


Fig. 6

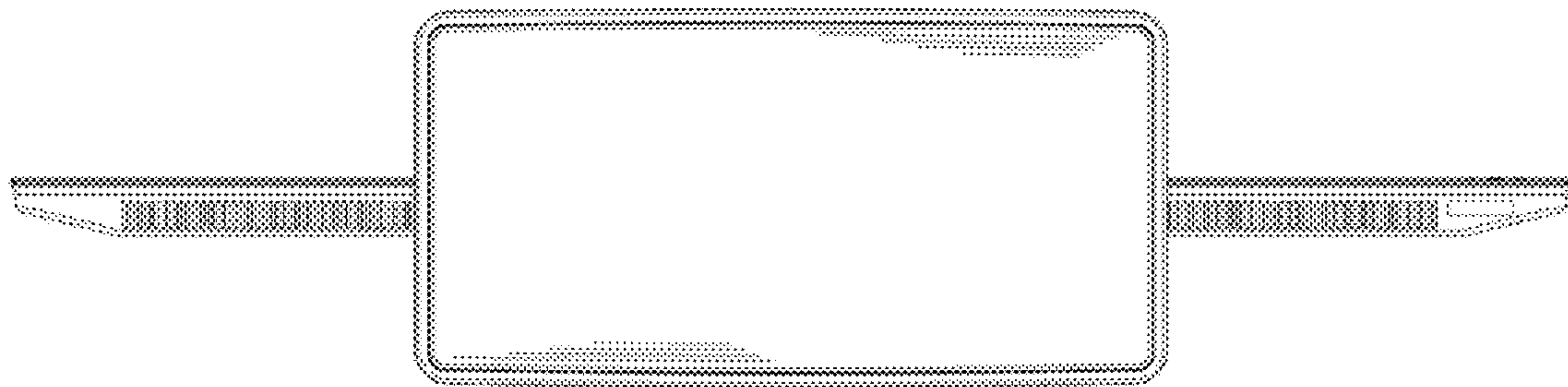


Fig. 7



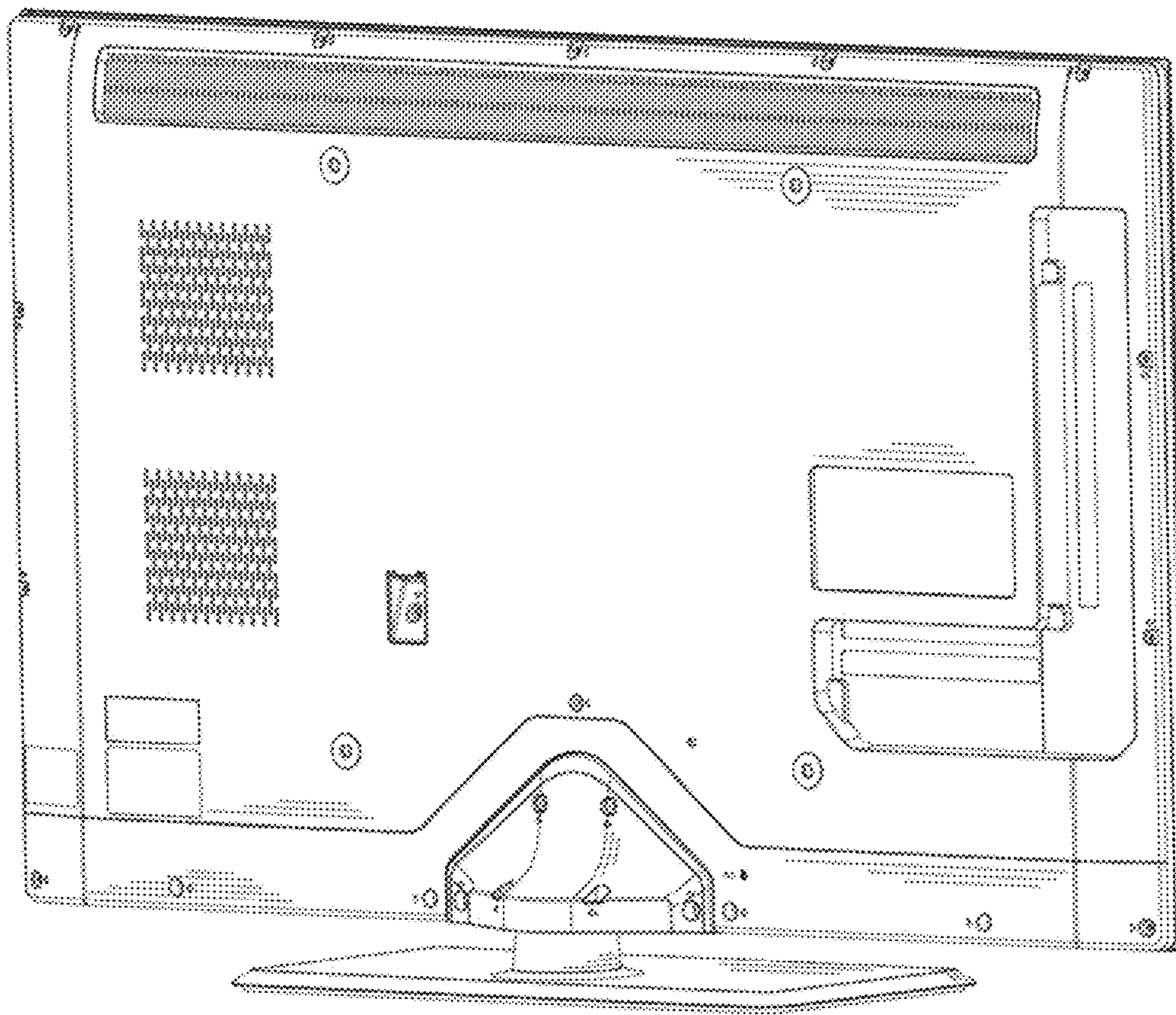


Fig. 8