



US00D684942S

(12) **United States Design Patent**
Zelazowski

(10) **Patent No.:** **US D684,942 S**
(45) **Date of Patent:** **** Jun. 25, 2013**

(54) **GROOVED MAGNET**
(75) Inventor: **Dennis G. Zelazowski**, Pittsburgh, PA (US)
(73) Assignee: **Chemistrie Properties, Inc.**, Pittsburgh, PA (US)
(**) Term: **14 Years**
(21) Appl. No.: **29/342,717**
(22) Filed: **Aug. 31, 2009**

6,533,411 B1 3/2003 Chen et al.
6,550,913 B2 4/2003 Zelman
6,655,799 B1 12/2003 Chen
6,755,522 B1 6/2004 Strenk
6,883,912 B1 4/2005 Madison
6,957,507 B2 * 10/2005 Ausland et al. 40/600
7,011,402 B2 3/2006 Shapiro
D520,041 S * 5/2006 Wheat D15/199
D535,699 S * 1/2007 Krapf D19/65
D581,528 S * 11/2008 Sudo D24/130
D594,735 S * 6/2009 Hofer D8/349

(Continued)

FOREIGN PATENT DOCUMENTS

CA 2490955 6/2005

Primary Examiner — T. Chase Nelson

Assistant Examiner — Ania Aman

(74) *Attorney, Agent, or Firm* — Cohen & Grigsby, P.C.

Related U.S. Application Data
(62) Division of application No. 11/458,239, filed on Jul. 18, 2006, now Pat. No. 7,600,870.
(51) **LOC (9) Cl.** **13-99**
(52) **U.S. Cl.**
USPC **D13/183**
(58) **Field of Classification Search**
USPC D13/183, 199; D19/90, 65, 100; 351/57, 351/47
See application file for complete search history.

(57) **CLAIM**

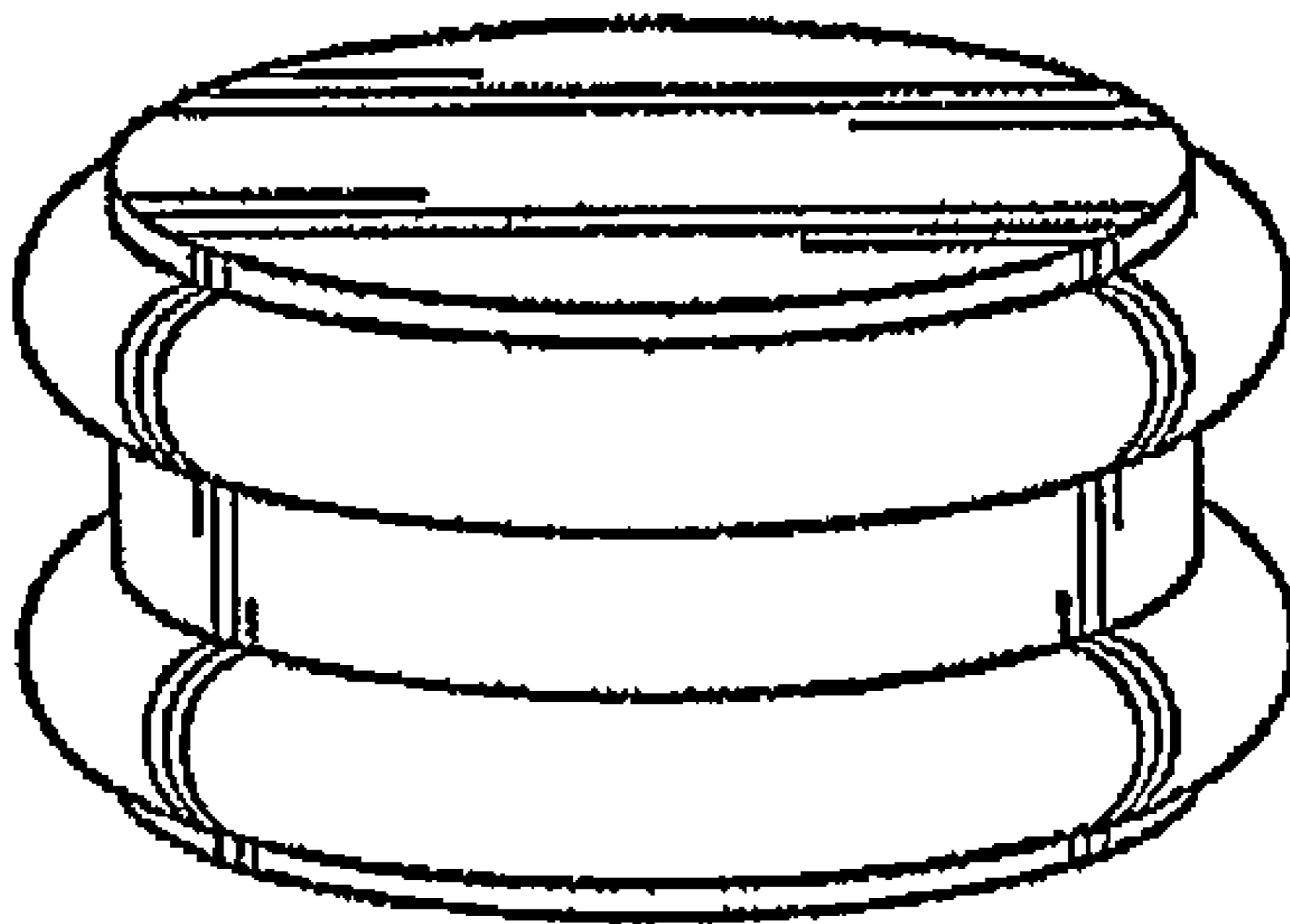
The ornamental design for a grooved magnet, as shown and described.

DESCRIPTION

FIG. 1 is a perspective view of the grooved magnet embodying my new design as claimed herein.
FIG. 2 is a side view of the grooved magnet shown in FIG. 1.
FIG. 3 is a top view of the grooved magnet shown in FIG. 1.
FIG. 4 is a bottom view of the grooved magnet shown in FIG. 1.
FIG. 5 is a perspective view of an alternate embodiment of the grooved magnet shown in FIG. 1.
FIG. 6 is a side view of the grooved magnet shown in FIG. 5.
FIG. 7 is a top view of the grooved magnet shown in FIG. 5; and,
FIG. 8 is a bottom view of the grooved magnet shown in FIG. 5.

(56) **References Cited**
U.S. PATENT DOCUMENTS
3,239,178 A * 3/1966 Pompa 248/205.3
D337,411 S * 7/1993 Smith D34/35
5,416,537 A 5/1995 Sadler
D409,663 S * 5/1999 Wagner et al. D19/65
D410,032 S * 5/1999 Wagner et al. D19/65
5,936,700 A 8/1999 Masunaga
D414,207 S * 9/1999 Wagner et al. D19/65
6,293,671 B1 9/2001 Masunaga
D454,591 S * 3/2002 Vidmar et al. D19/90
6,464,352 B1 10/2002 Xie
6,478,420 B2 11/2002 Xiang
6,502,939 B2 1/2003 Vignato

1 Claim, 2 Drawing Sheets



US D684,942 S

Page 2

U.S. PATENT DOCUMENTS

D642,548 S *	8/2011	Bowen, III	D13/183	2003/0197830 A1	10/2003	Taniguchi	
2001/0055091 A1	12/2001	Vignato			2004/0114096 A1	6/2004	Strenk	
2002/0047984 A1	4/2002	Tang			2005/0001976 A1	1/2005	Yinkai et al.	
2002/0080325 A1	6/2002	Xiang			2005/0206836 A1	9/2005	Shapiro	
2002/0089639 A1	7/2002	Starner et al.			2006/0225342 A1 *	10/2006	Hamman 47/1.01 F
2002/0131012 A1	9/2002	Tsai						

* cited by examiner

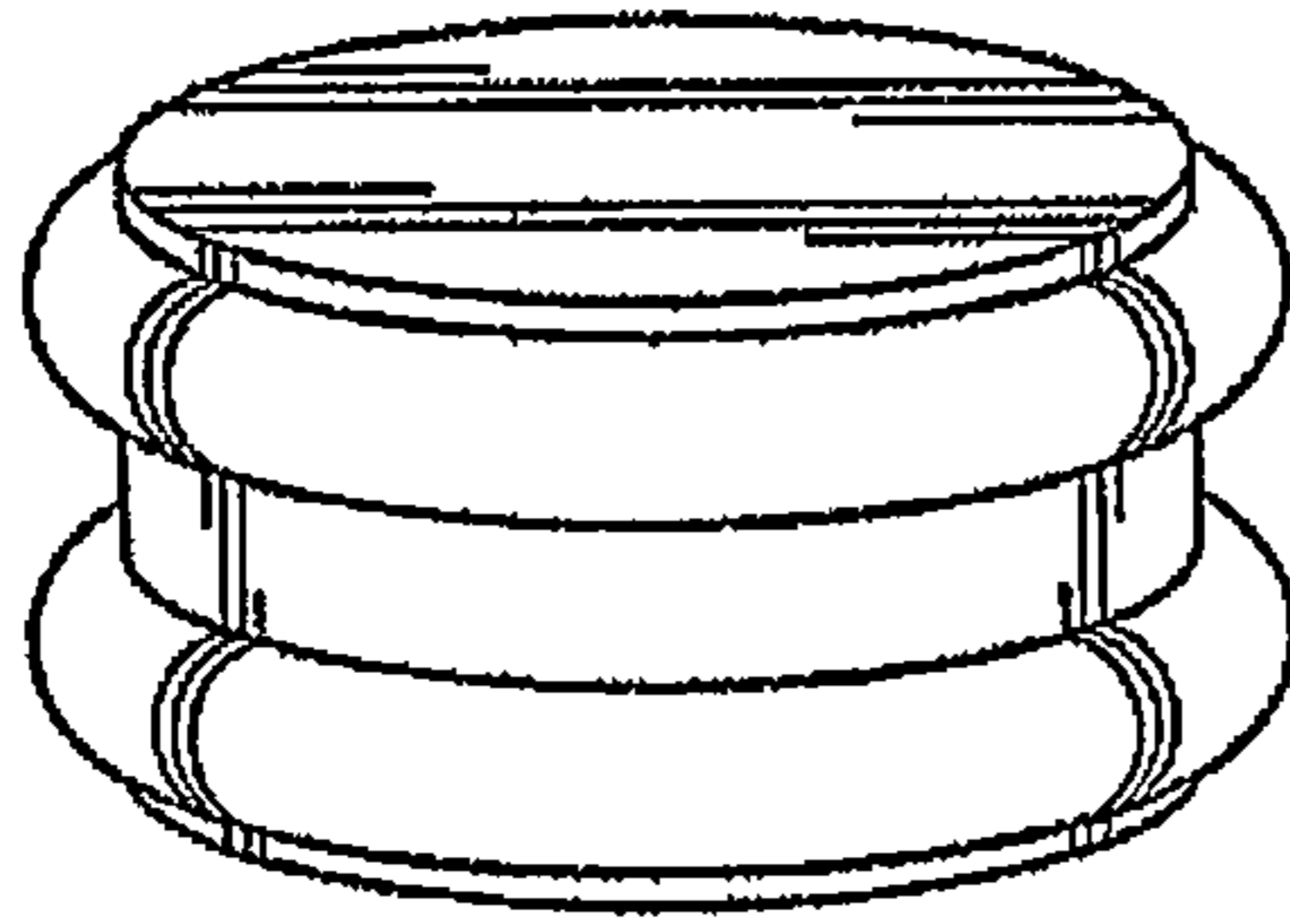


FIG. 1

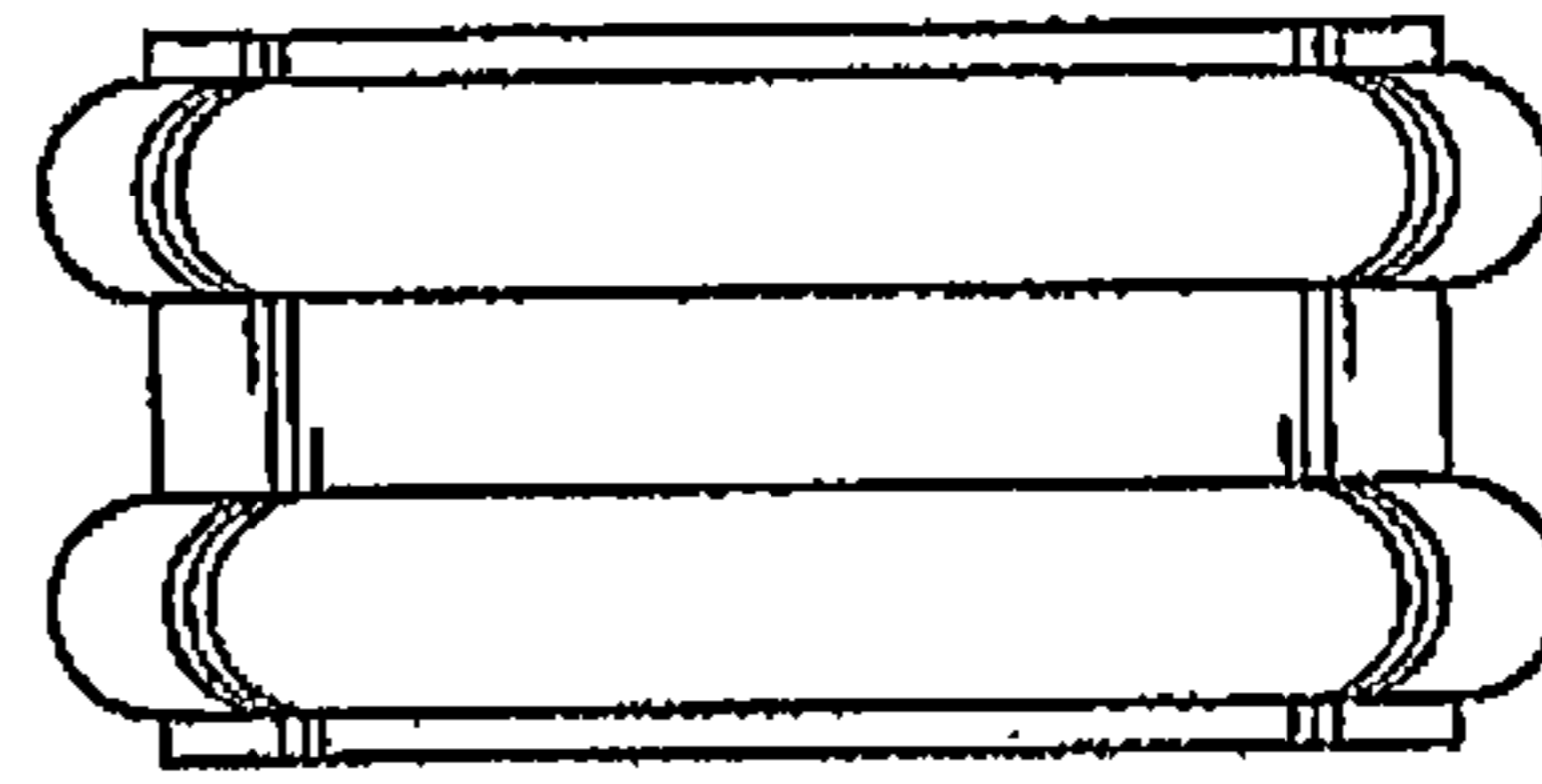


FIG. 2

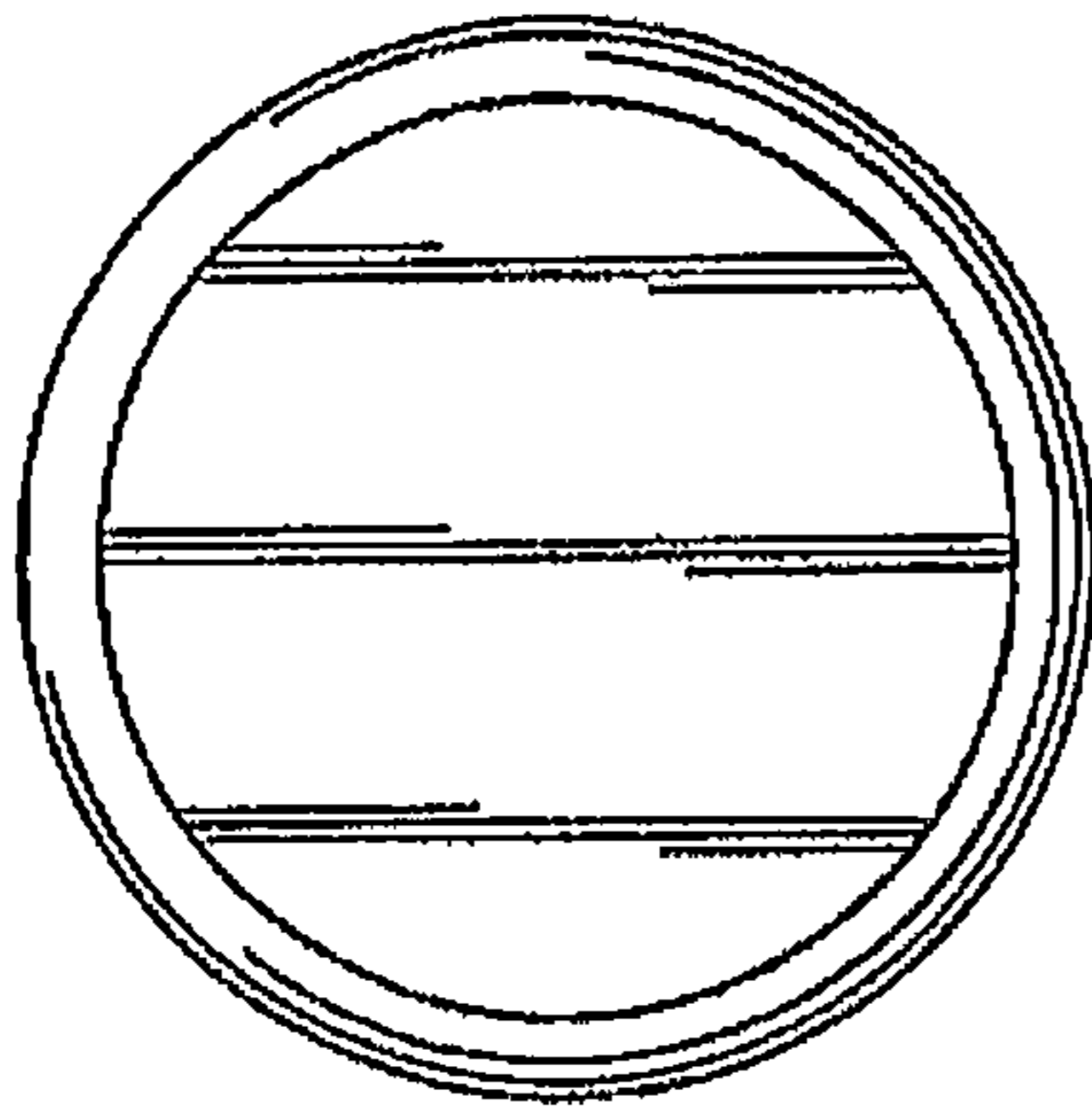


FIG. 3

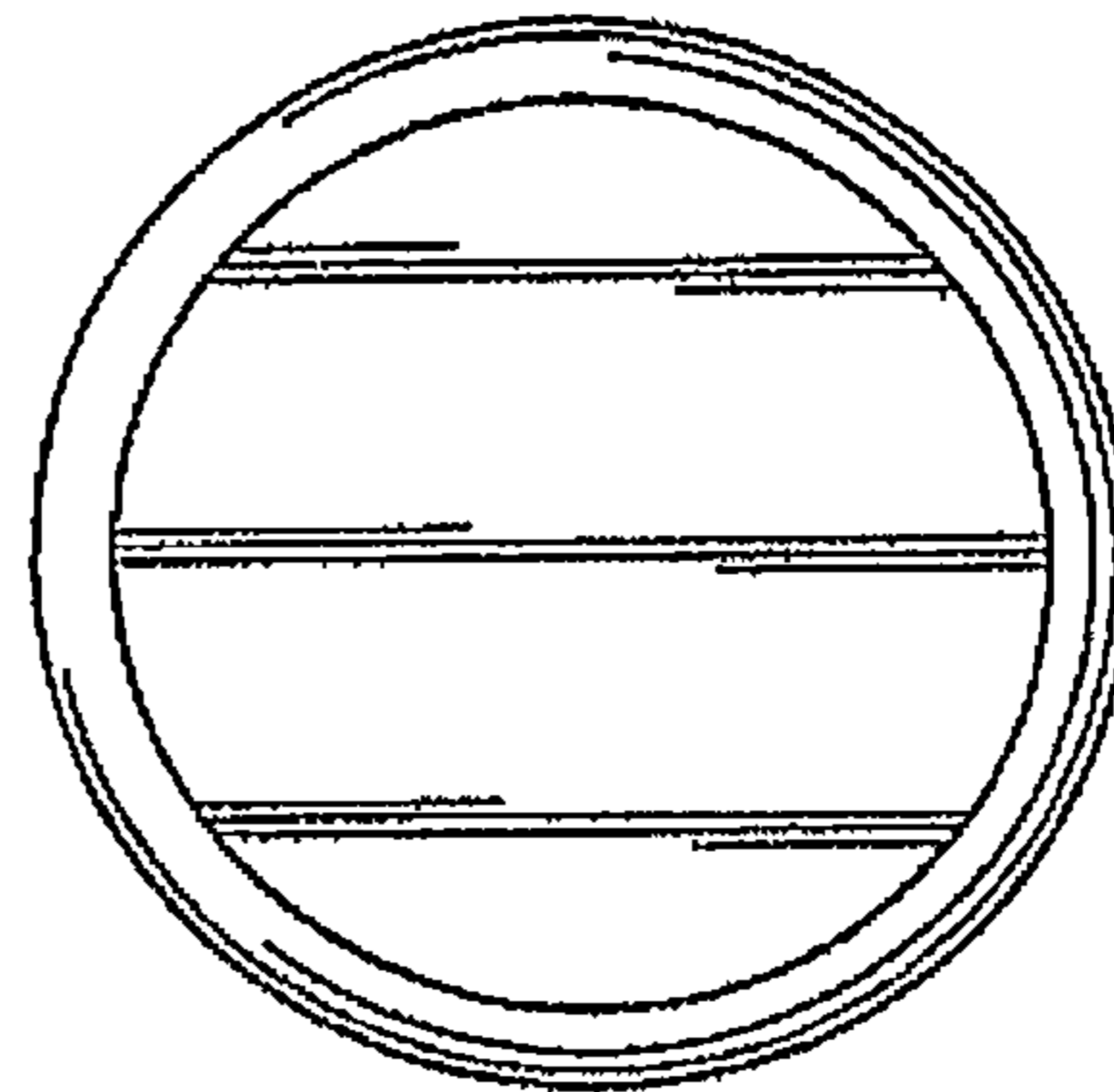


FIG. 4

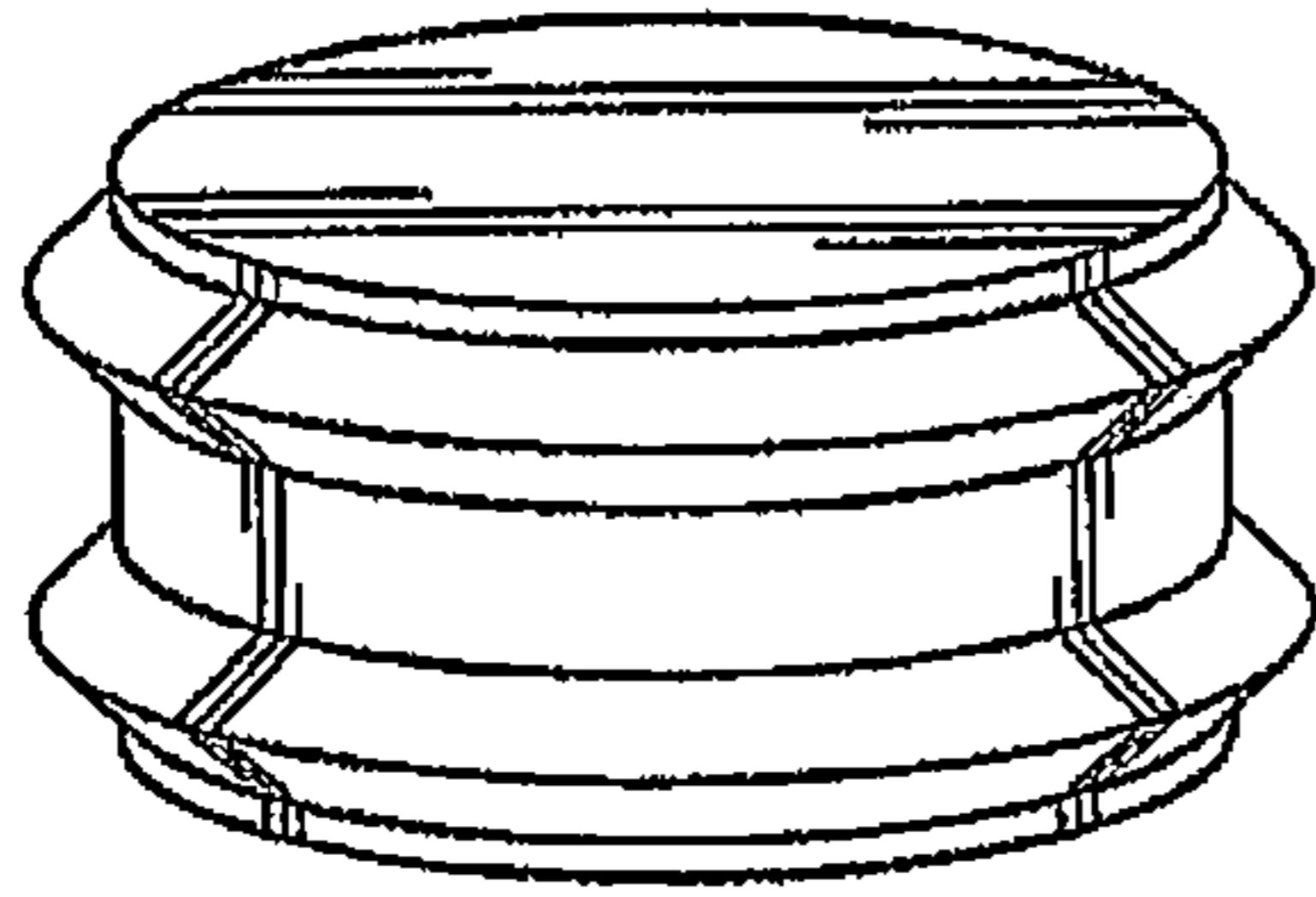


FIG. 5

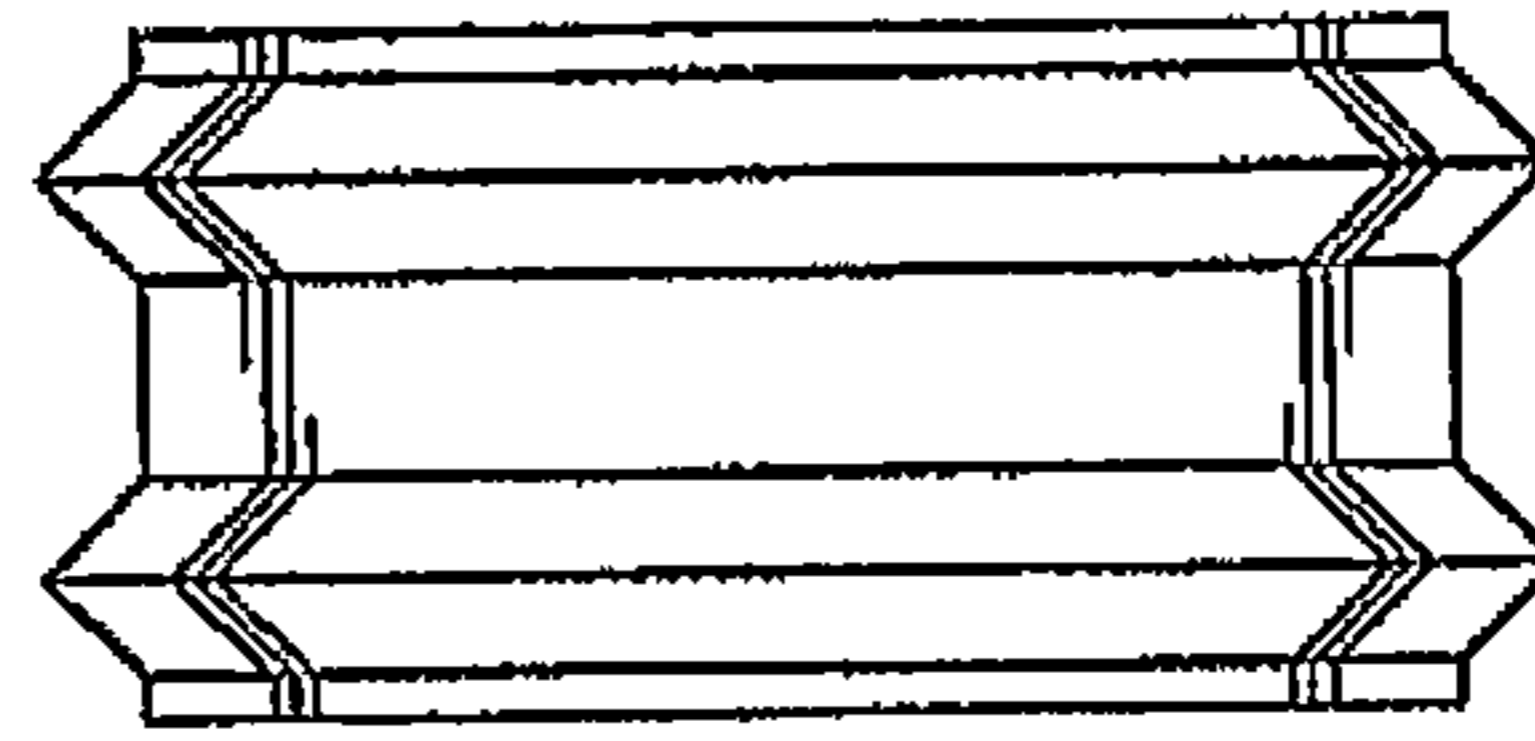


FIG. 6

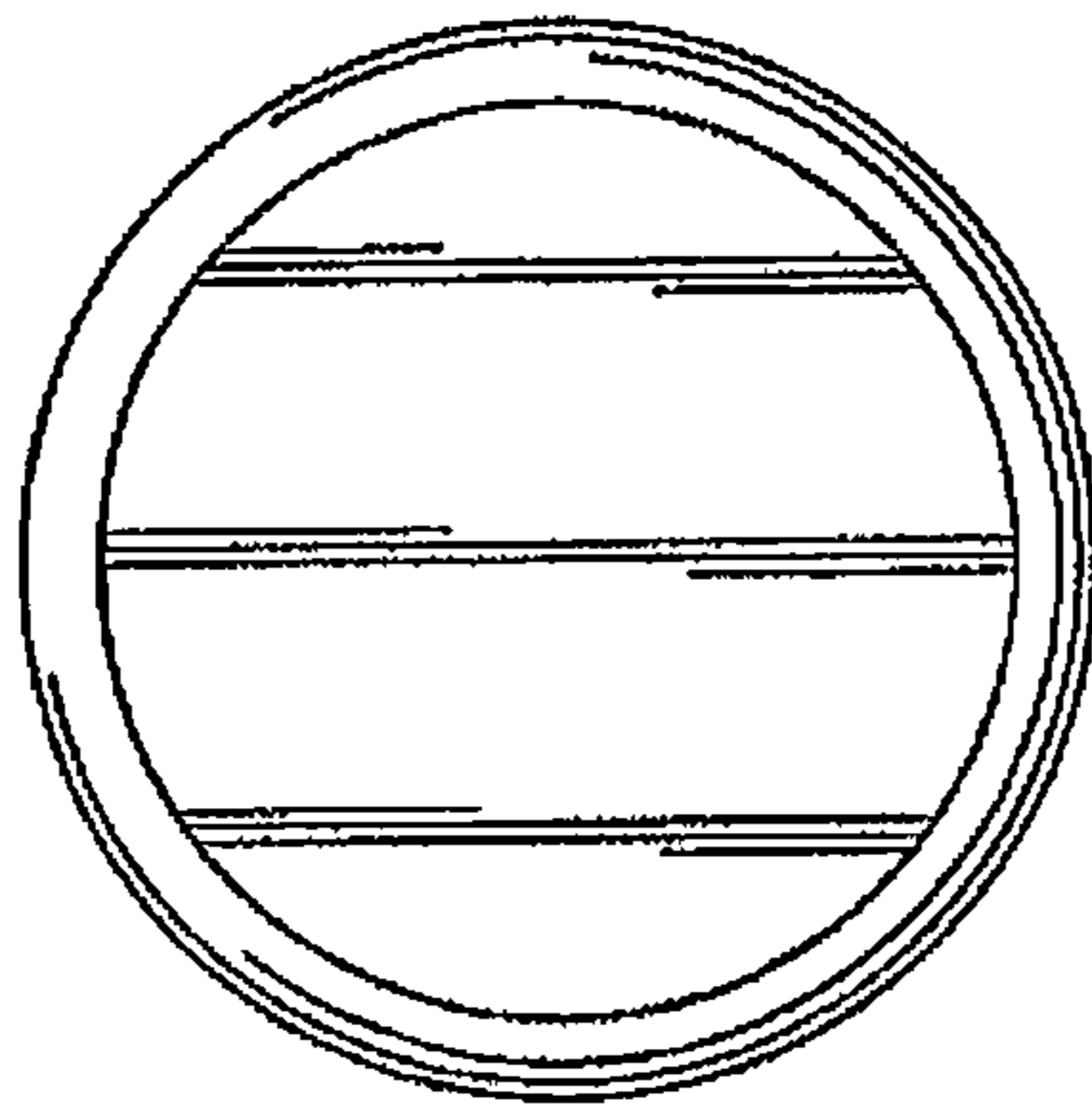


FIG. 7

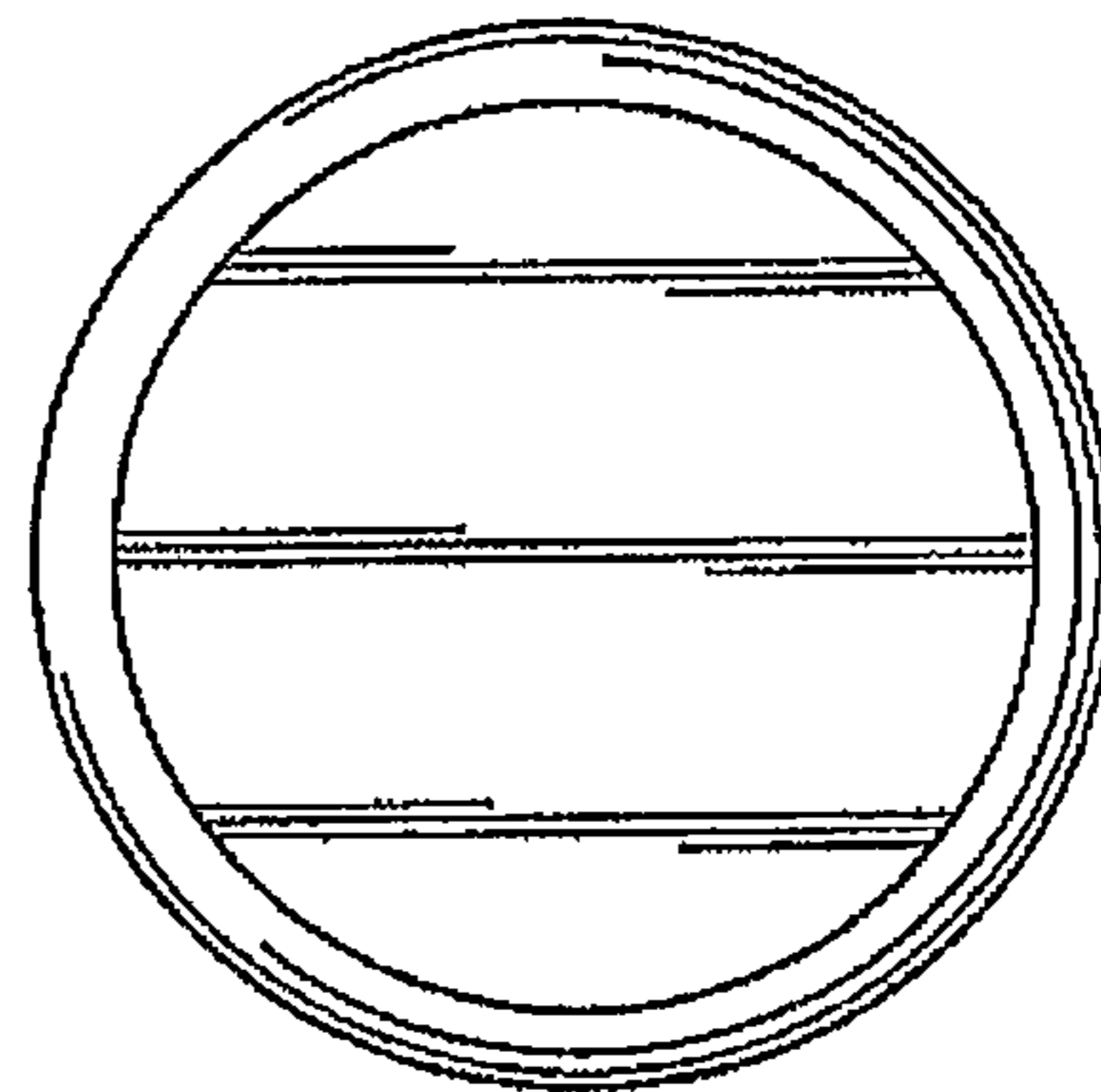


FIG. 8