



US00D684941S

(12) **United States Design Patent**
Chu et al.

(10) **Patent No.:** **US D684,941 S**
(45) **Date of Patent:** **** Jun. 25, 2013**

(54) **LED CHIP**

(75) Inventors: **Chen-Fu Chu**, Miao-Li County (TW);
Hao-Chun Cheng, Miao-Li County (TW)

(73) Assignee: **Semileds Optoelectronics Co., Ltd.**,
Miao-Li County (TW)

(**) Term: **14 Years**

(21) Appl. No.: **29/419,117**

(22) Filed: **Apr. 25, 2012**

(30) **Foreign Application Priority Data**

Oct. 28, 2011 (TW) 100305819

(51) **LOC (9) Cl.** **13-03**

(52) **U.S. Cl.**
USPC **D13/180**

(58) **Field of Classification Search**
USPC D13/180; D26/1; 257/79, 80, 81,
257/88, 89, 95, 98, 99, 100, E33.058; 313/483,
313/498, 500; 362/555, 800
See application file for complete search history.

(56) **References Cited**

U.S. PATENT DOCUMENTS

6,547,249	B2 *	4/2003	Collins et al.	257/88
6,573,537	B1 *	6/2003	Steigerwald et al.	257/103
6,921,924	B2 *	7/2005	Tsai et al.	257/95
7,179,670	B2 *	2/2007	Shelton et al.	438/26
7,436,066	B2 *	10/2008	Sonobe et al.	257/767
D580,888	S *	11/2008	Liu	D13/180
D593,968	S *	6/2009	Edmond et al.	D13/180
D599,748	S *	9/2009	Liu	D13/180
D606,949	S *	12/2009	Liu	D13/180
D635,525	S *	4/2011	Edmond et al.	D13/180

D647,493	S *	10/2011	Chang et al.	D13/180
D647,494	S *	10/2011	Chang et al.	D13/180
D647,495	S *	10/2011	Chang et al.	D13/180
2003/0107053	A1 *	6/2003	Uemura et al.	257/200
2003/0230754	A1 *	12/2003	Steigerwald et al.	257/91
2006/0237735	A1 *	10/2006	Naulin et al.	257/98
2007/0085095	A1 *	4/2007	Ko et al.	257/94
2009/0283787	A1 *	11/2009	Donofrio et al.	257/98

* cited by examiner

Primary Examiner — Selina Sikder

(74) *Attorney, Agent, or Firm* — WPAT, PC; Justin King

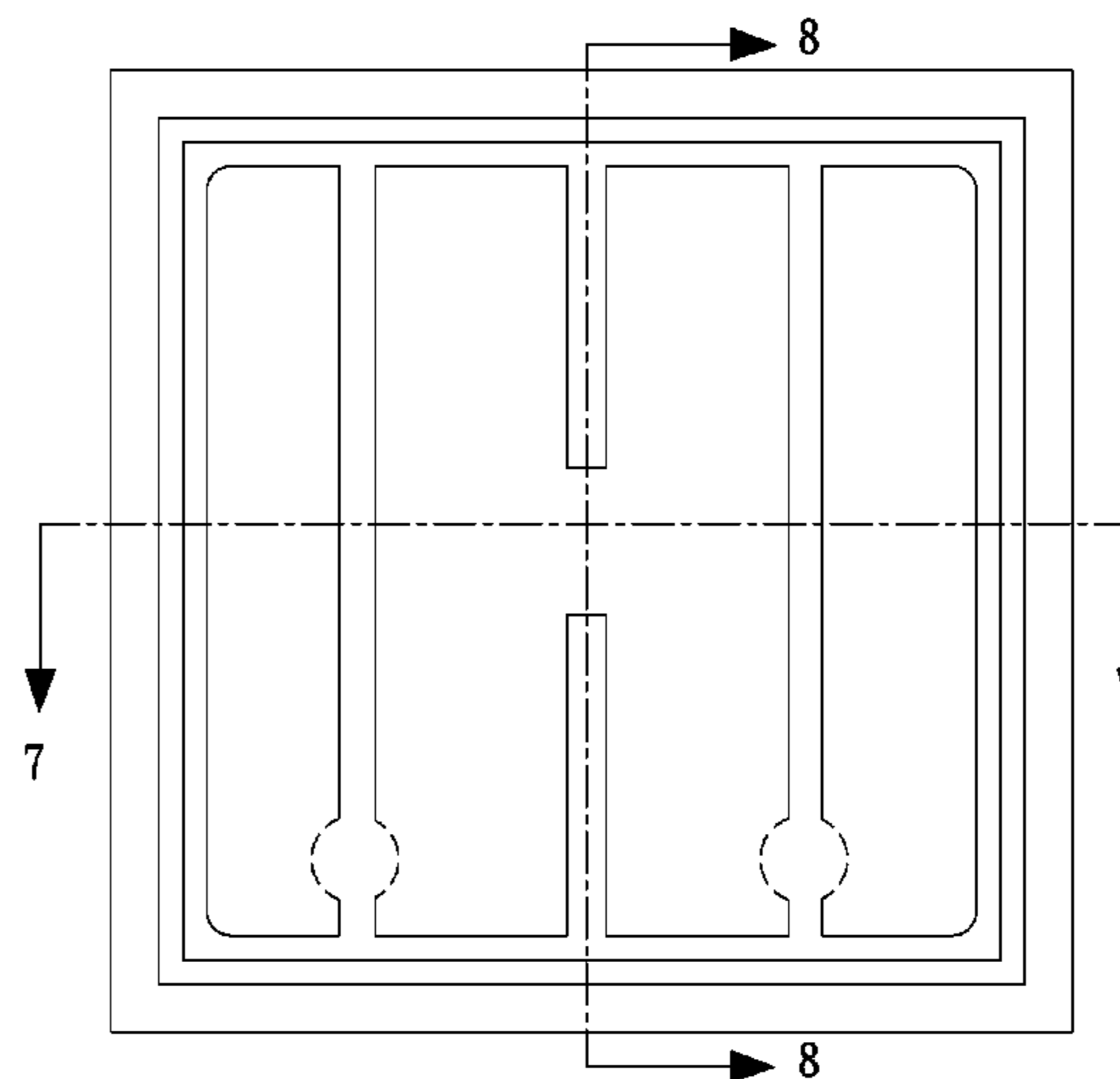
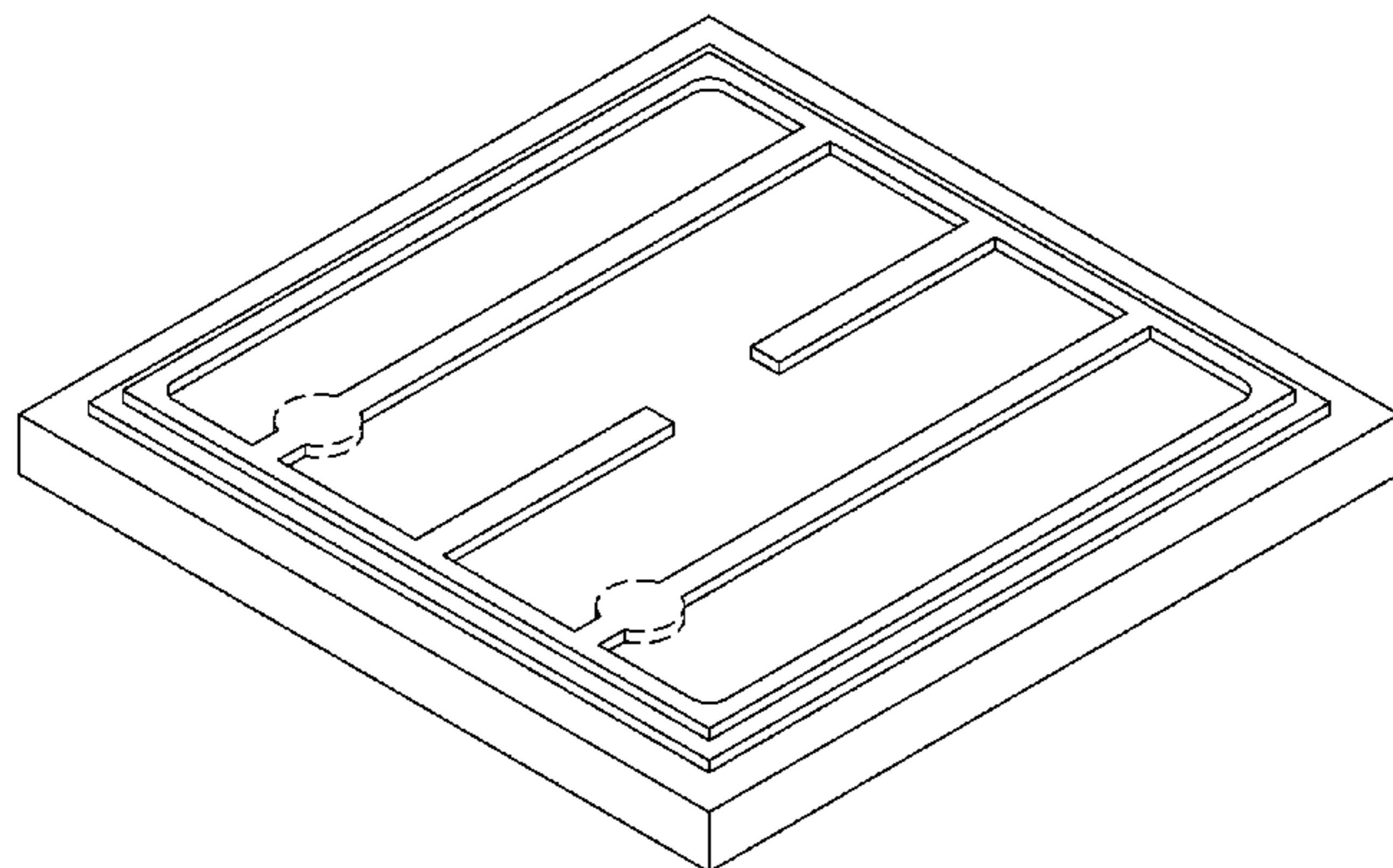
(57) **CLAIM**

The ornamental design for a LED chip, as shown and described in the drawings.

DESCRIPTION

FIG. 1 is a perspective view of a light emitting diode device showing my new design;
 FIG. 2 is a top view thereof;
 FIG. 3 is a front view thereof;
 FIG. 4 is a back view thereof;
 FIG. 5 is a left view thereof;
 FIG. 6 is a right view thereof;
 FIG. 7 is a cross-sectional view thereof, take along line 7-7 in FIG. 2;
 FIG. 8 is a cross-sectional view thereof, take along line 8-8 in FIG. 2;
 FIG. 9 is a right side view of thereof; the left side view is a mirror image of the right side view; and,
 FIG. 10 is a front view of thereof; the backside view is a mirror image of the front side view.
 It will be understood that the dash lines presented in the drawings are for illustration only, and do not form a part of the claimed design.

1 Claim, 8 Drawing Sheets



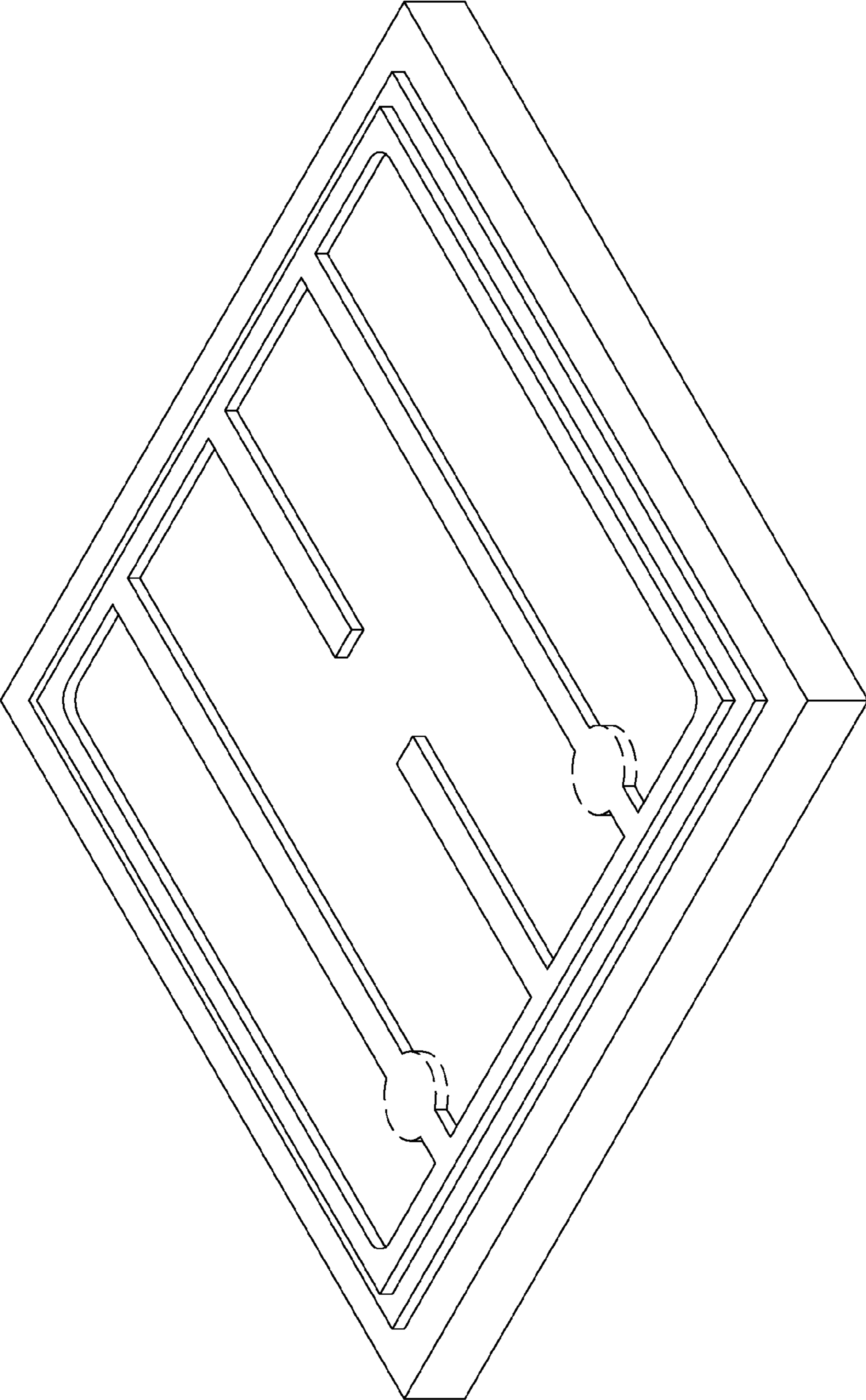


Fig. 1

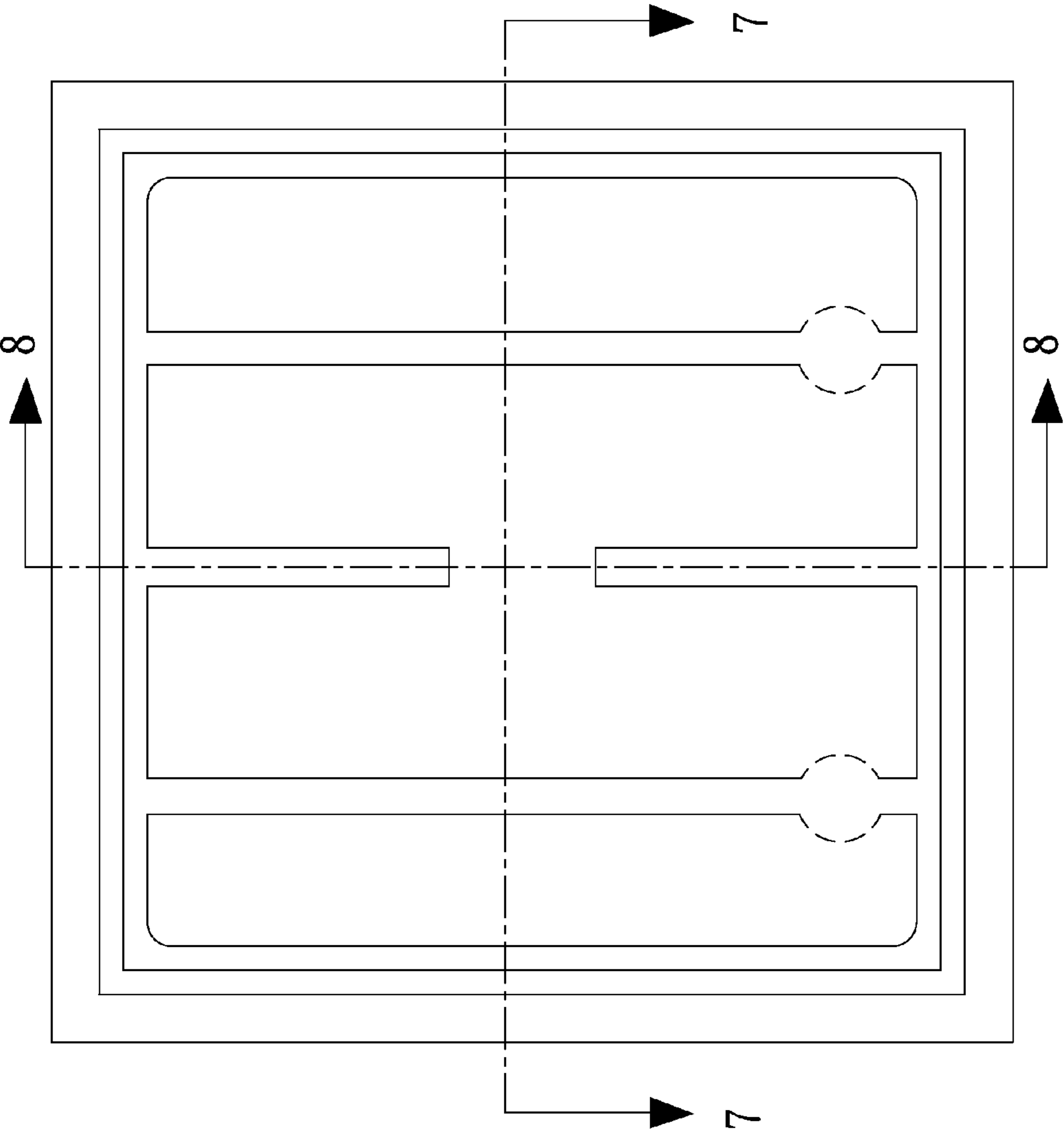


Fig. 2

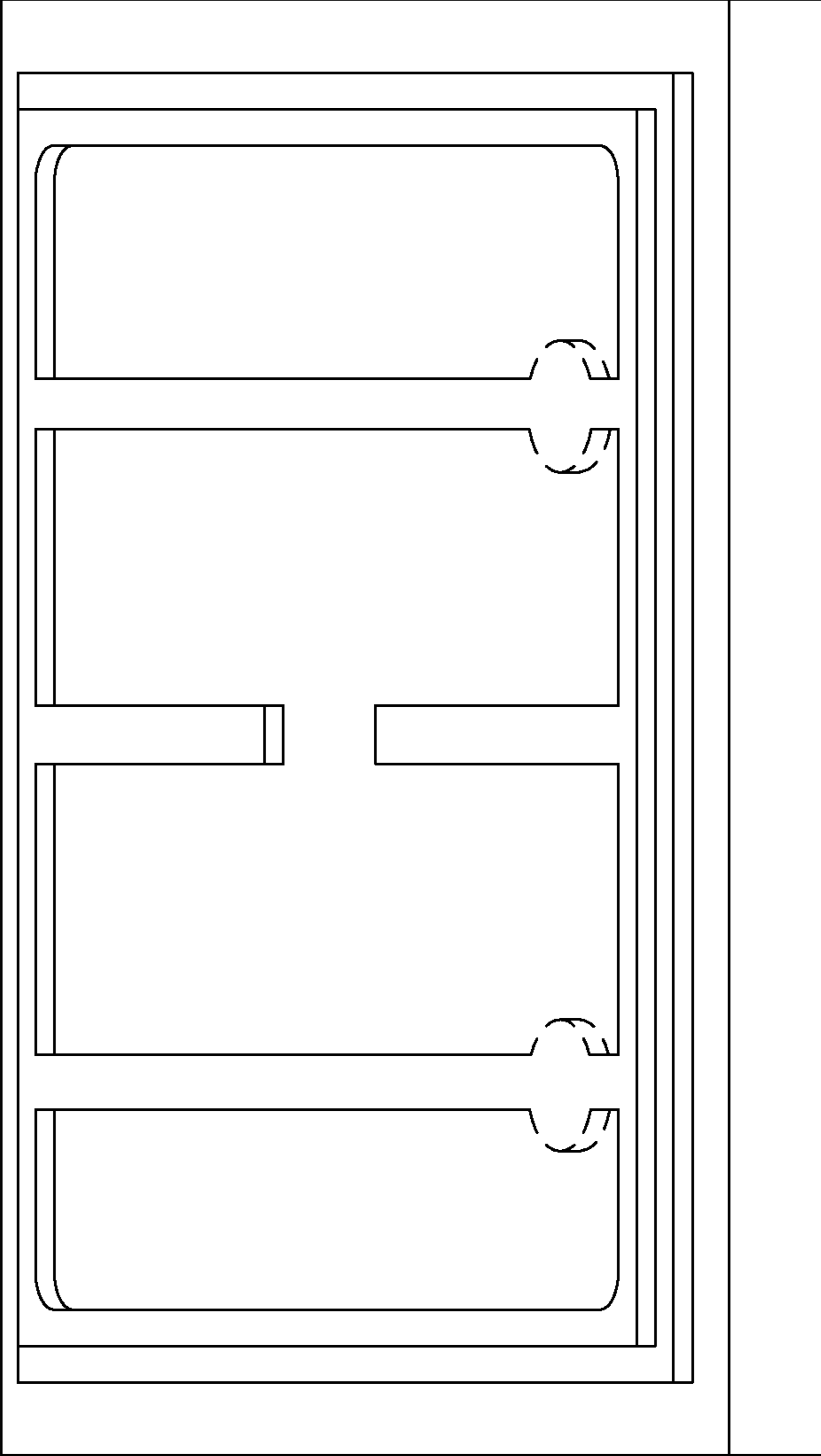


Fig. 3

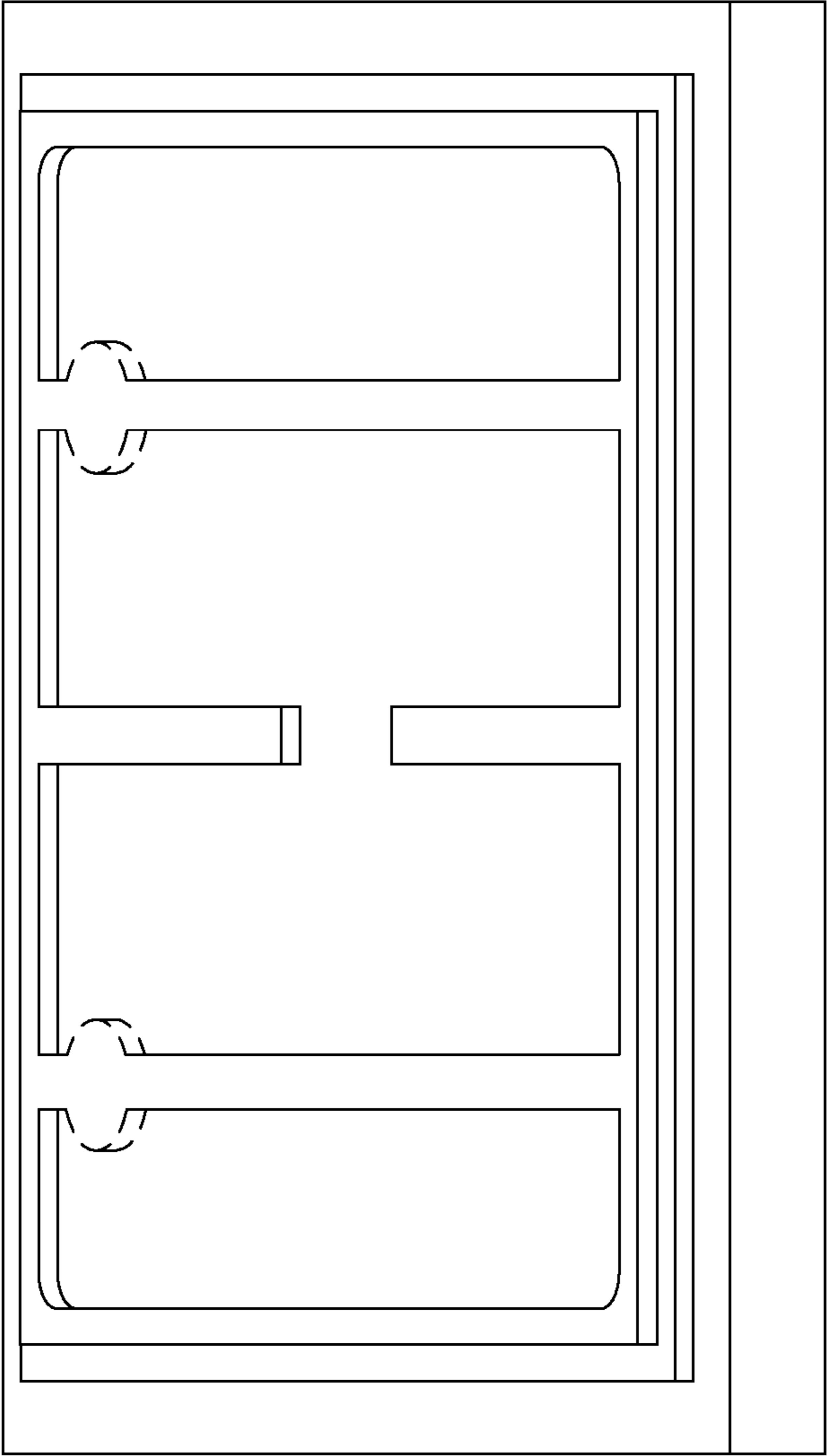


Fig. 4

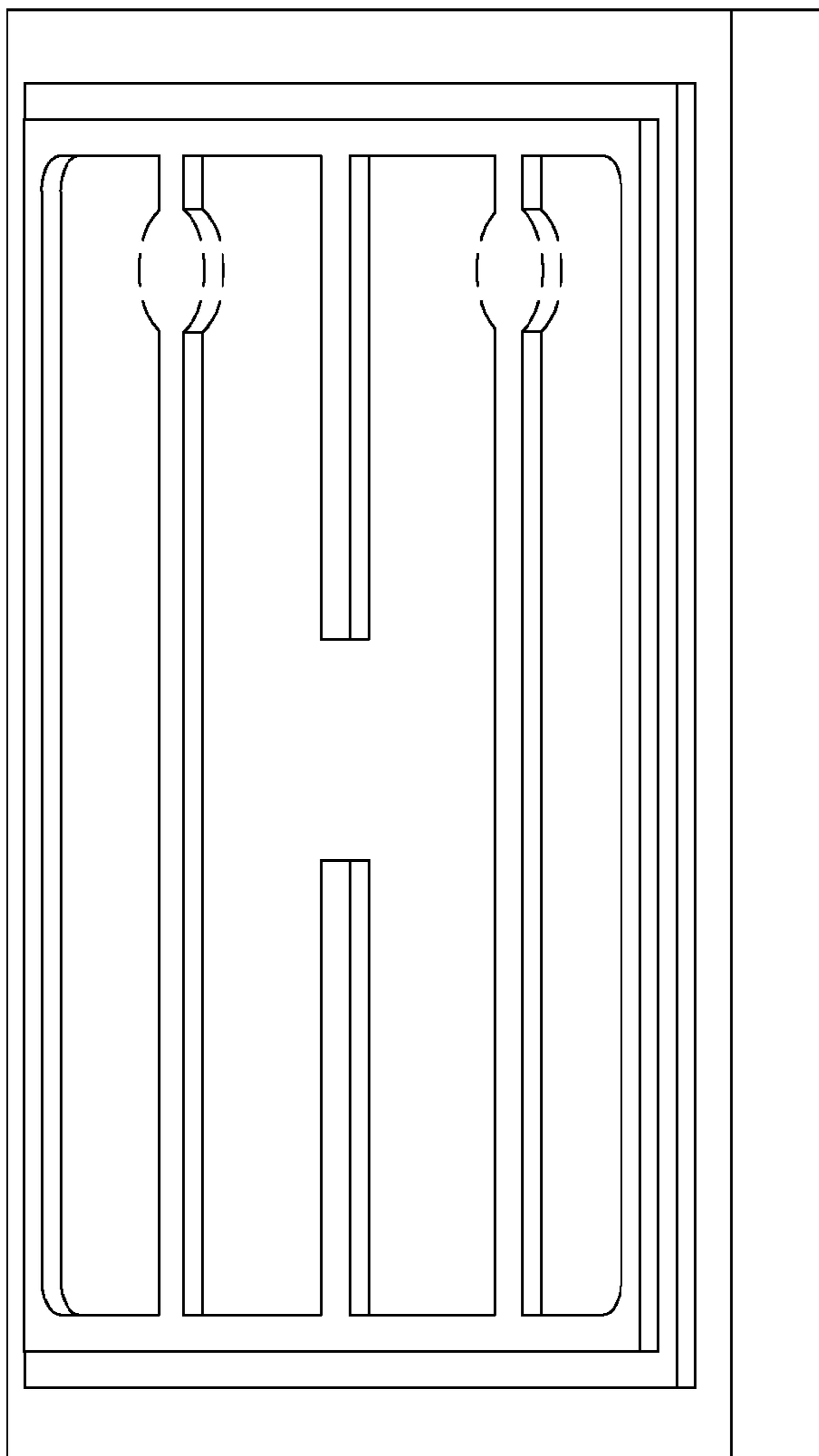


Fig. 5

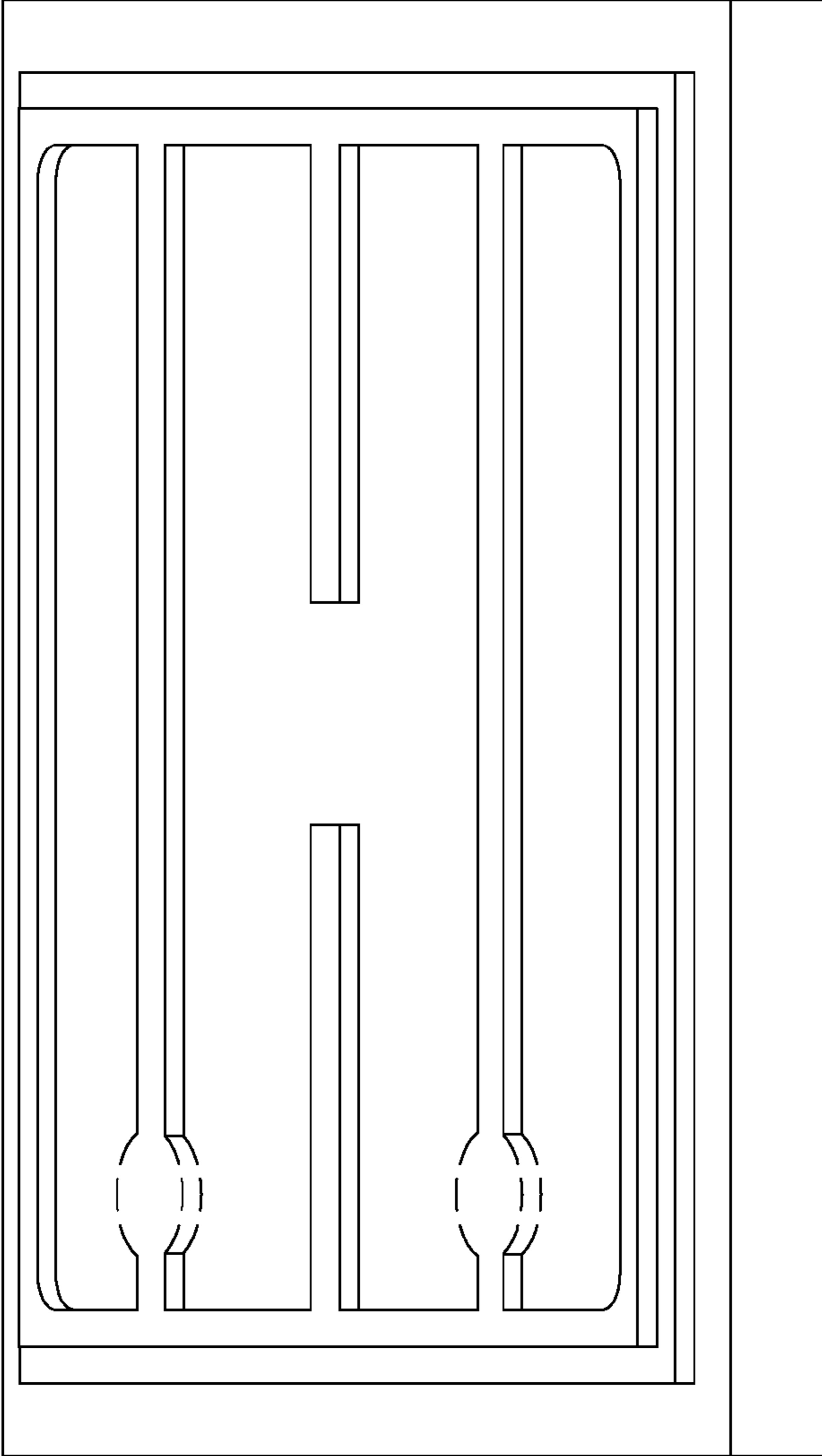


Fig. 6

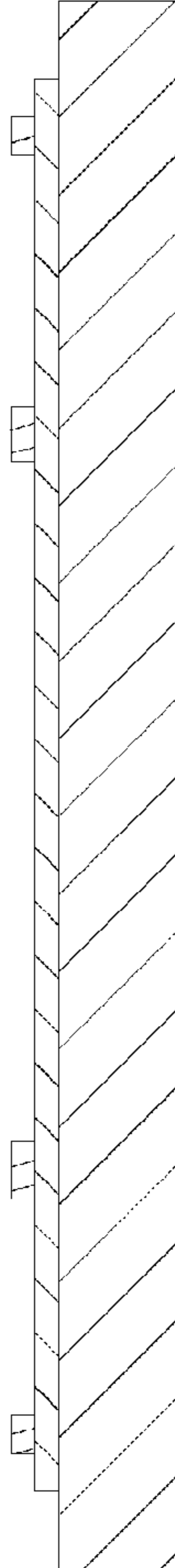


Fig. 7

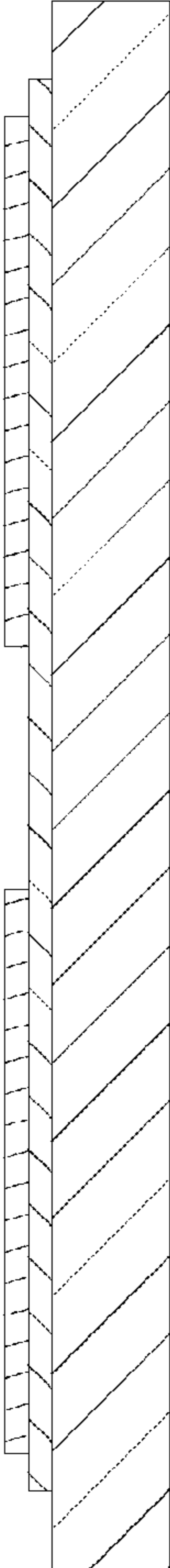


Fig. 8

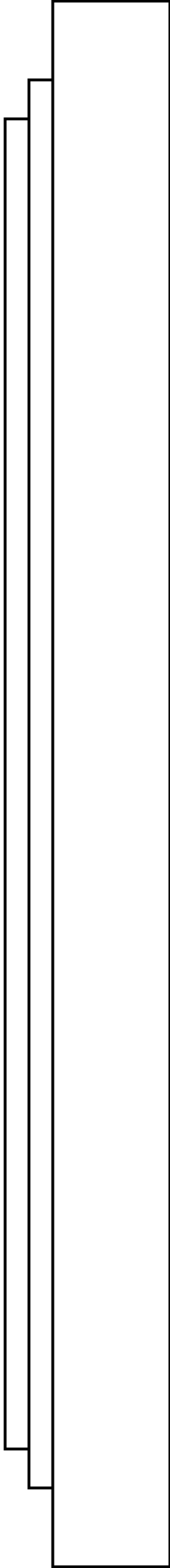


Fig. 9

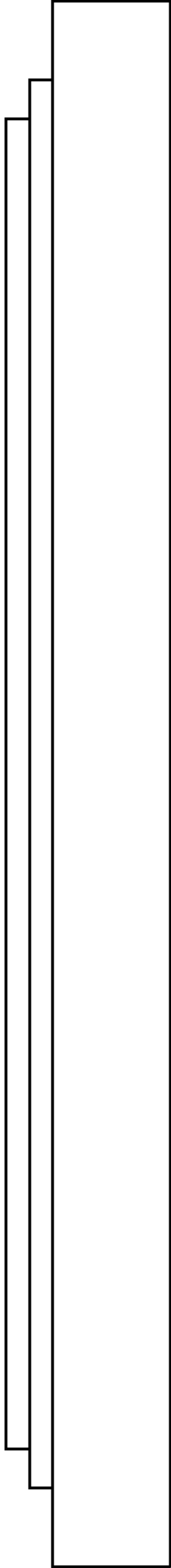


Fig. 10