



US00D684935S

(12) **United States Design Patent**
DeCosta

(10) **Patent No.:** **US D684,935 S**
(45) **Date of Patent:** **** Jun. 25, 2013**

(54) **RECESSED ELECTRICAL BOX**

(76) Inventor: **Thomas J. DeCosta**, North Dartmouth, MA (US)

(**) Term: **14 Years**

(21) Appl. No.: **29/421,748**

(22) Filed: **Sep. 13, 2012**

(51) **LOC (9) Cl.** **13-03**

(52) **U.S. Cl.**
USPC **D13/152**

(58) **Field of Classification Search**

USPC D13/152, 164, 184, 137.1, 139.1, D13/153, 137.2, 133, 137.4, 139.7, 130, 128, D13/132, 138.2, 139.4, 139.8, 139.6, 123, D13/160, 107; 361/683; D9/416, 423

See application file for complete search history.

(56) **References Cited**

U.S. PATENT DOCUMENTS

D462,664 S *	9/2002	Roesch et al.	D13/152
D468,697 S *	1/2003	Straub, Jr.	D13/152
D619,097 S *	7/2010	McCarthy	D13/152
D640,982 S *	7/2011	Dixon et al.	D13/152

OTHER PUBLICATIONS

<http://www.fibersavvy.com/store/p/6377-TV-Bridge-Complete-Easy-to-install-Kit-for-Flat-...>*

<http://www.primuscable.com/store/p/6774-Dual-Gang-Recessed-Steel-TV-Box-Multi-Gang-...>*

* cited by examiner

Primary Examiner — Robert M Spear
Assistant Examiner — Rhea Shields

(57) **CLAIM**

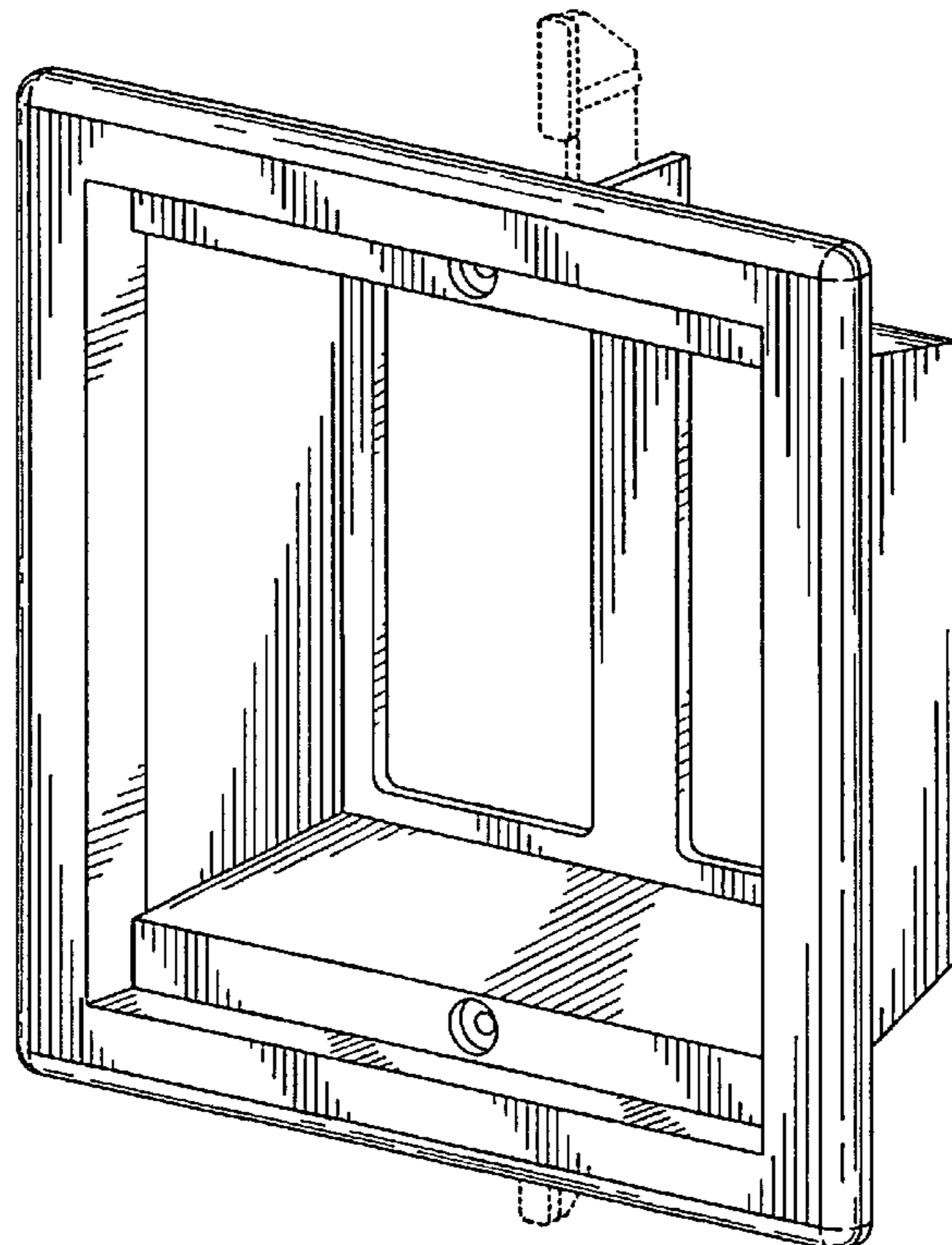
The ornamental design for a recessed electrical box, as shown and described.

DESCRIPTION

FIG. 1 is a front perspective view of the recessed electrical box employing my new design;
FIG. 2 is a rear perspective view of FIG. 1;
FIG. 3 is front view of FIG. 1;
FIG. 4 is a rear view of FIG. 1;
FIG. 5 is a right side view of FIG. 1;
FIG. 6 is a left side view of FIG. 1;
FIG. 7 is a top view of FIG. 1; and,
FIG. 8 is a bottom view of FIG. 1.

The broken lines are for illustrative purposes only and form no part of the claimed design.

1 Claim, 8 Drawing Sheets



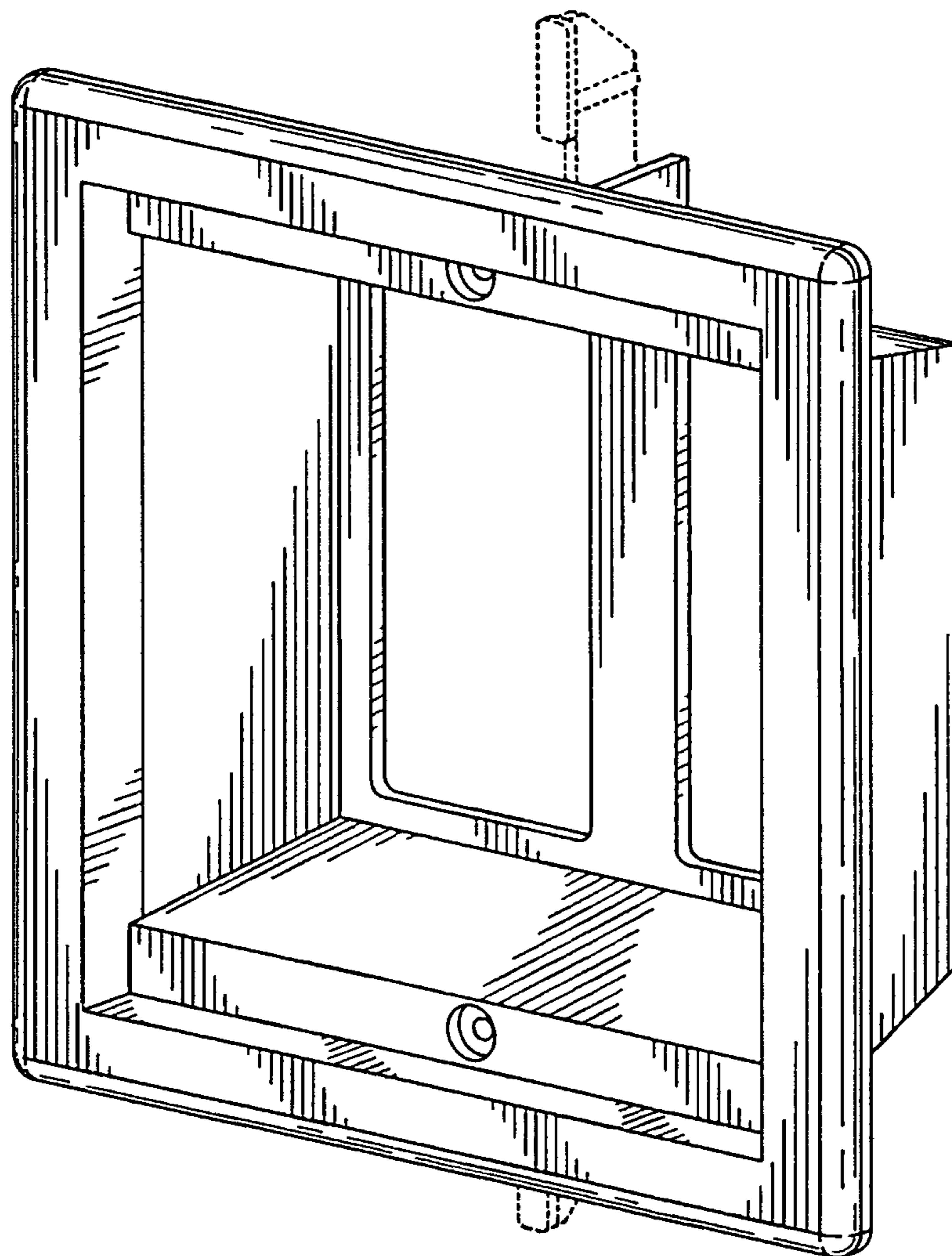


FIG. 1

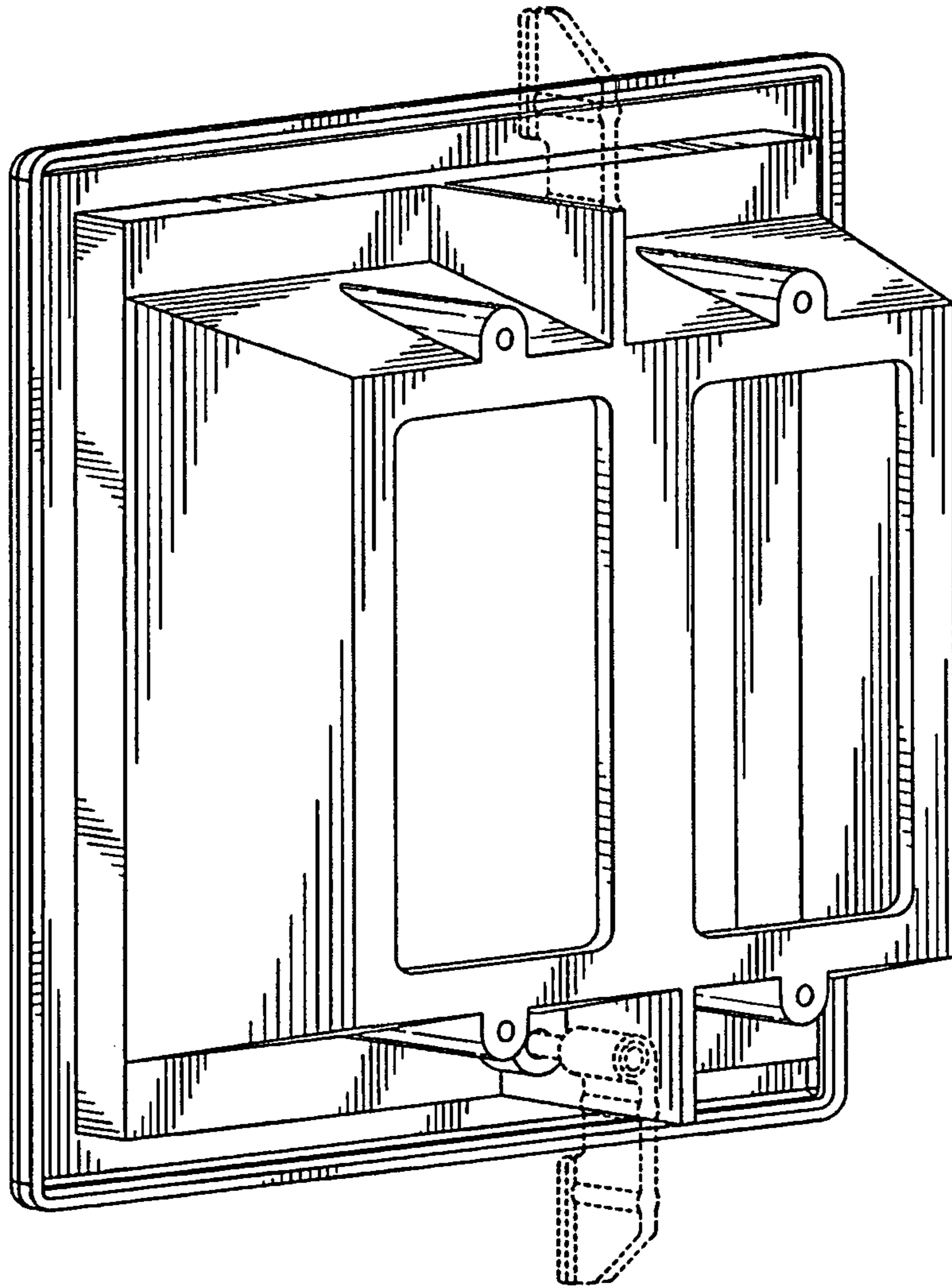


FIG. 2

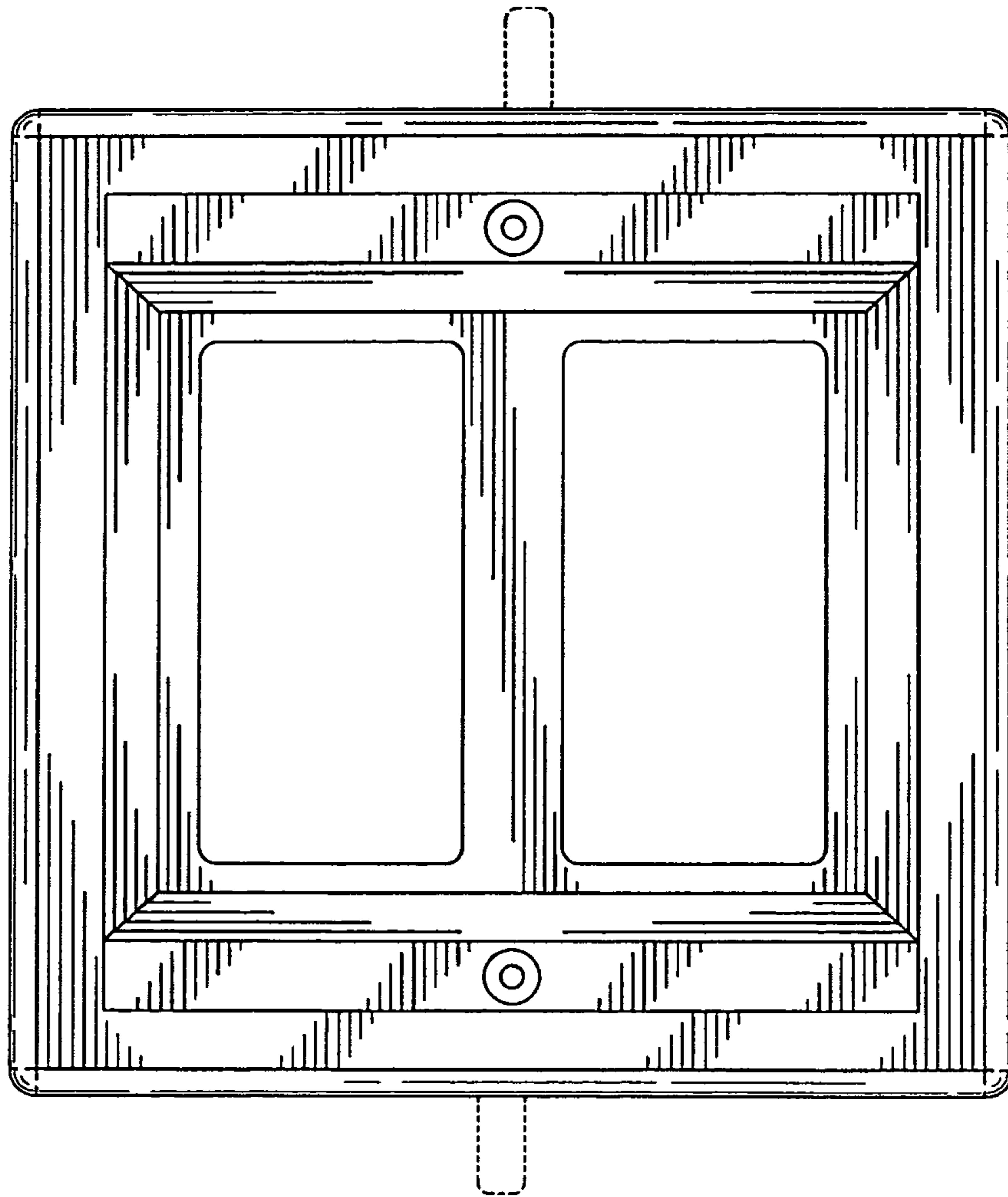


FIG. 3

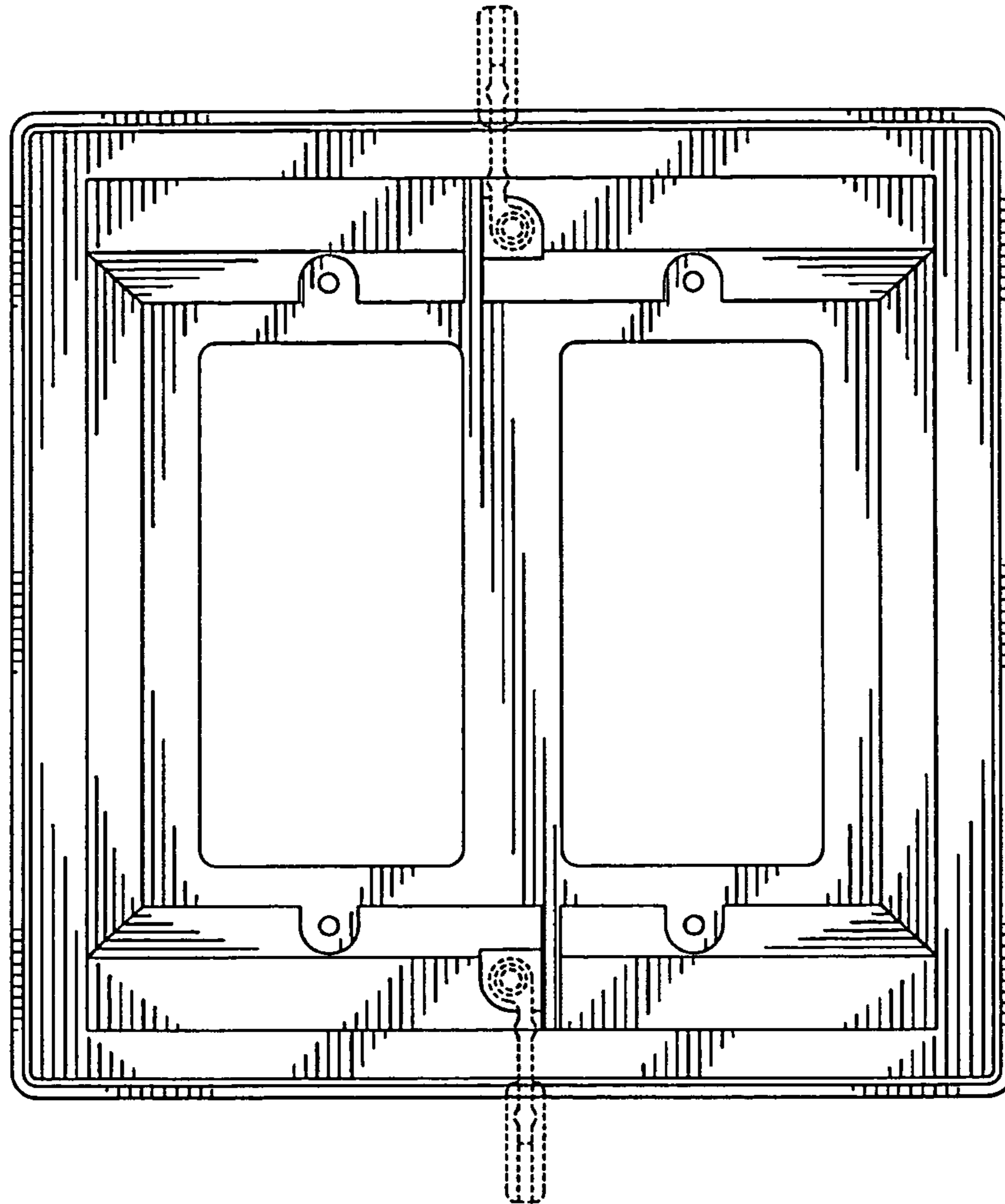


FIG. 4

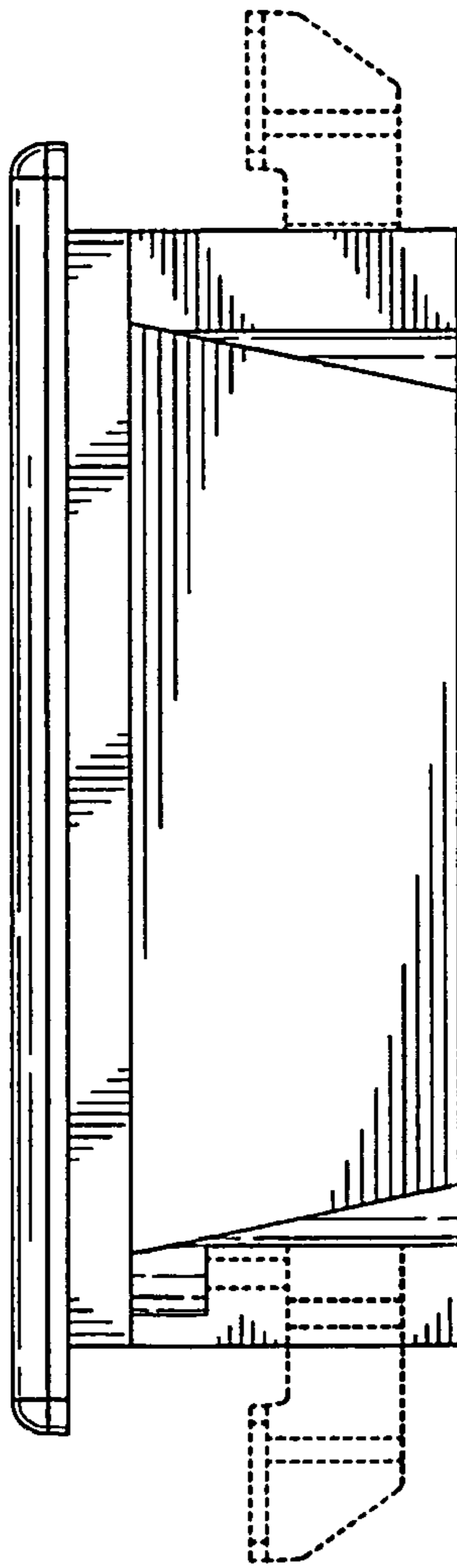


FIG. 5

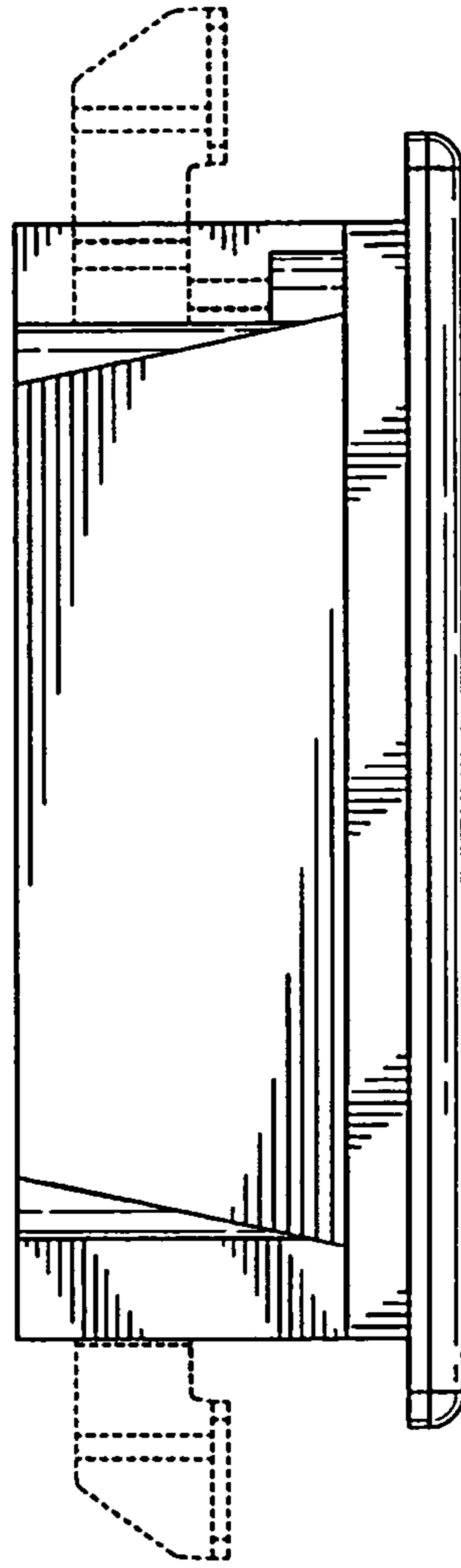


FIG. 6

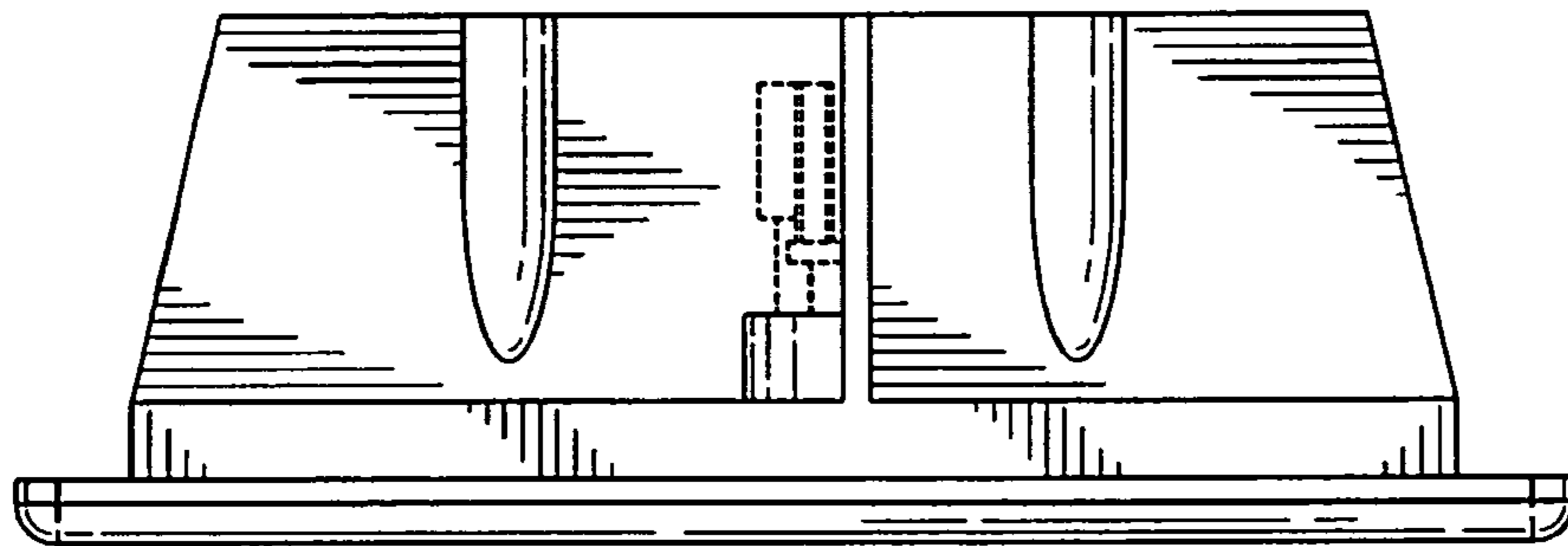


FIG. 7

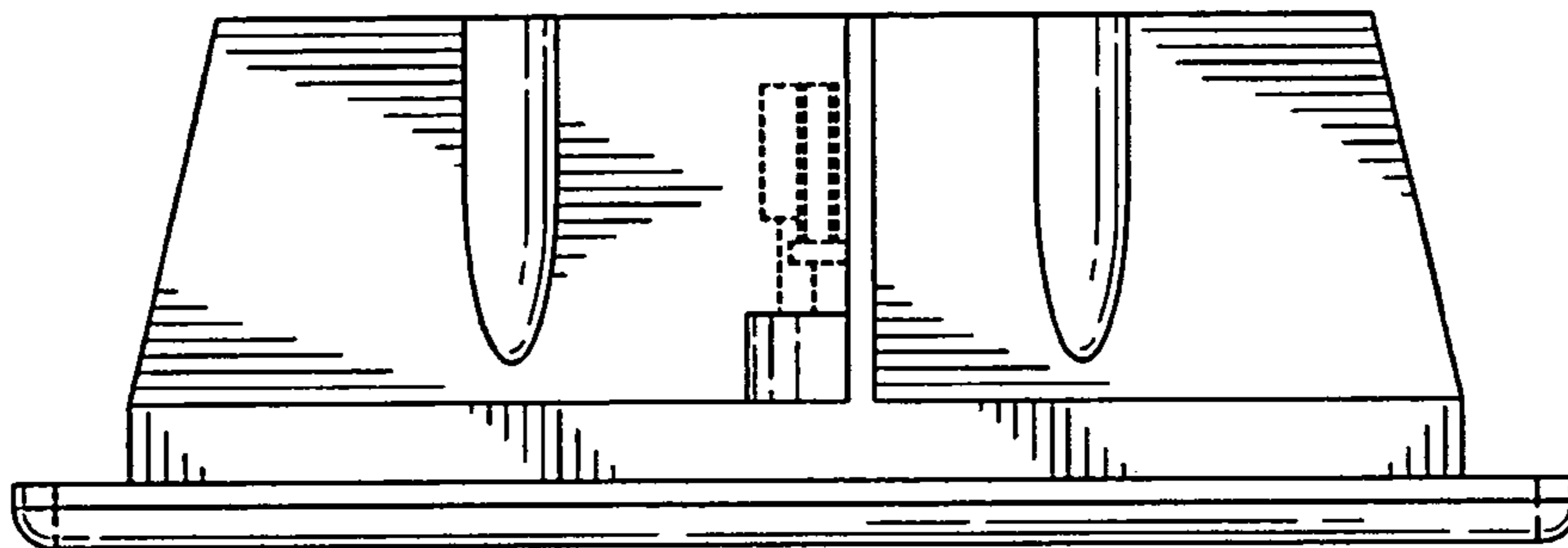


FIG. 8