



US00D684933S

(12) **United States Design Patent**
Xie et al.

(10) **Patent No.:** **US D684,933 S**
(45) **Date of Patent:** **** Jun. 25, 2013**

(54) **RECEPTACLE CONNECTOR**

(75) Inventors: **Bao-Geng Xie**, Guang-Dong (CN);
Wei-Hong Liao, Guang-Dong (CN);
Yin-Lung Wu, New Taipei (TW)

(73) Assignee: **Cheng Uei Precision Industry Co., Ltd.**, New Taipei (TW)

(**) Term: **14 Years**

(21) Appl. No.: **29/430,326**

(22) Filed: **Aug. 23, 2012**

(51) **LOC (9) Cl.** **13-03**

(52) **U.S. Cl.**
USPC **D13/147**

(58) **Field of Classification Search**
USPC D13/147, 154, 184, 199; 439/79,
439/108, 378, 567, 607.01, 607.04, 607.05,
439/607.17, 607.25, 607.34, 607.41, 607.53,
439/660, 668, 680
See application file for complete search history.

(56) **References Cited**

U.S. PATENT DOCUMENTS

D618,622 S * 6/2010 Chiang et al. D13/147
D618,623 S * 6/2010 Peng D13/147
D618,624 S * 6/2010 Chiang D13/147

D620,445 S * 7/2010 Yang et al. D13/147
D635,925 S * 4/2011 Liu et al. D13/147
D653,622 S * 2/2012 Wang et al. D13/147
D660,244 S * 5/2012 Yudate D13/147
D664,925 S * 8/2012 Yudate D13/147

* cited by examiner

Primary Examiner — Daniel Bui

(74) *Attorney, Agent, or Firm* — Cheng-Ju Chiang

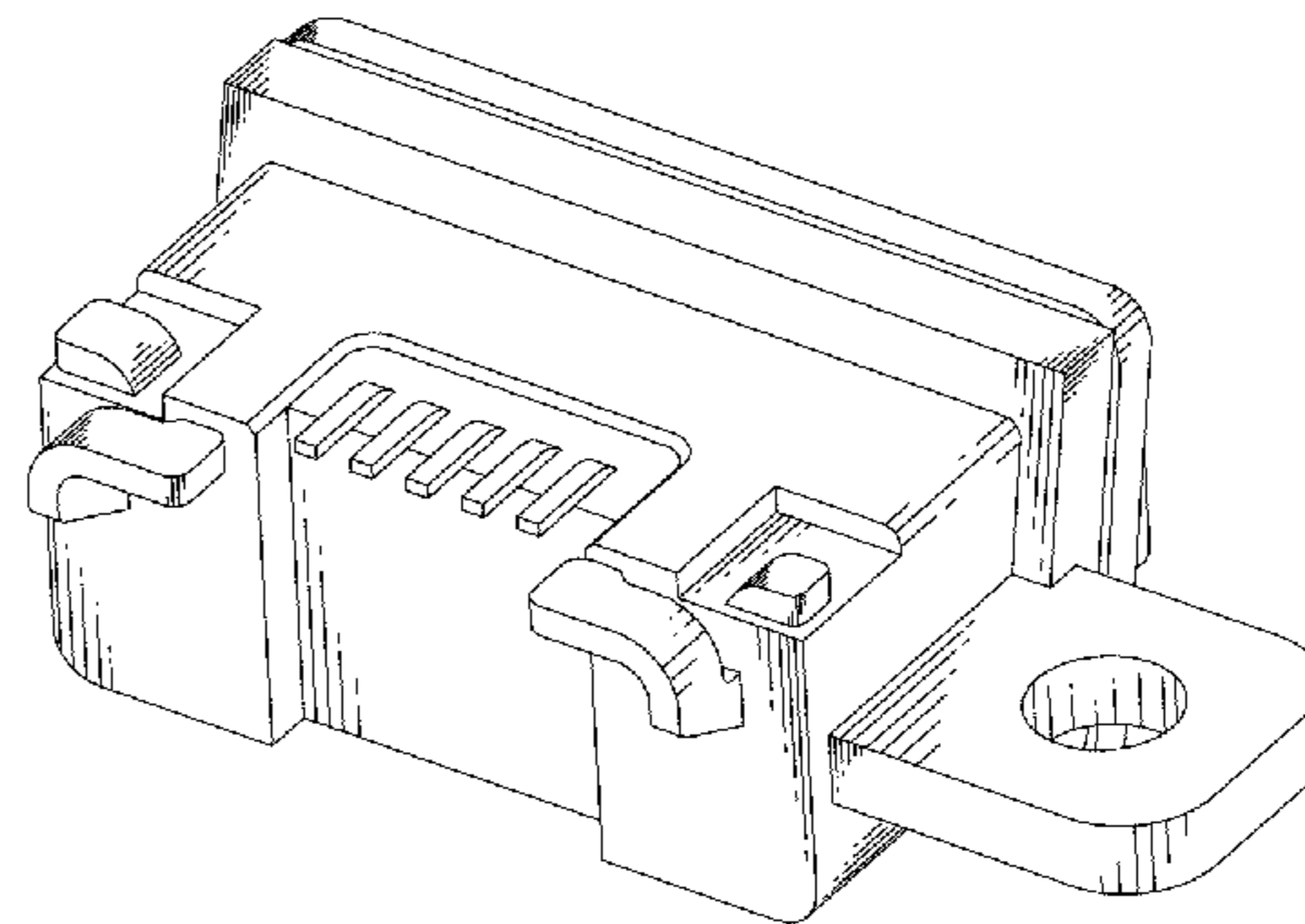
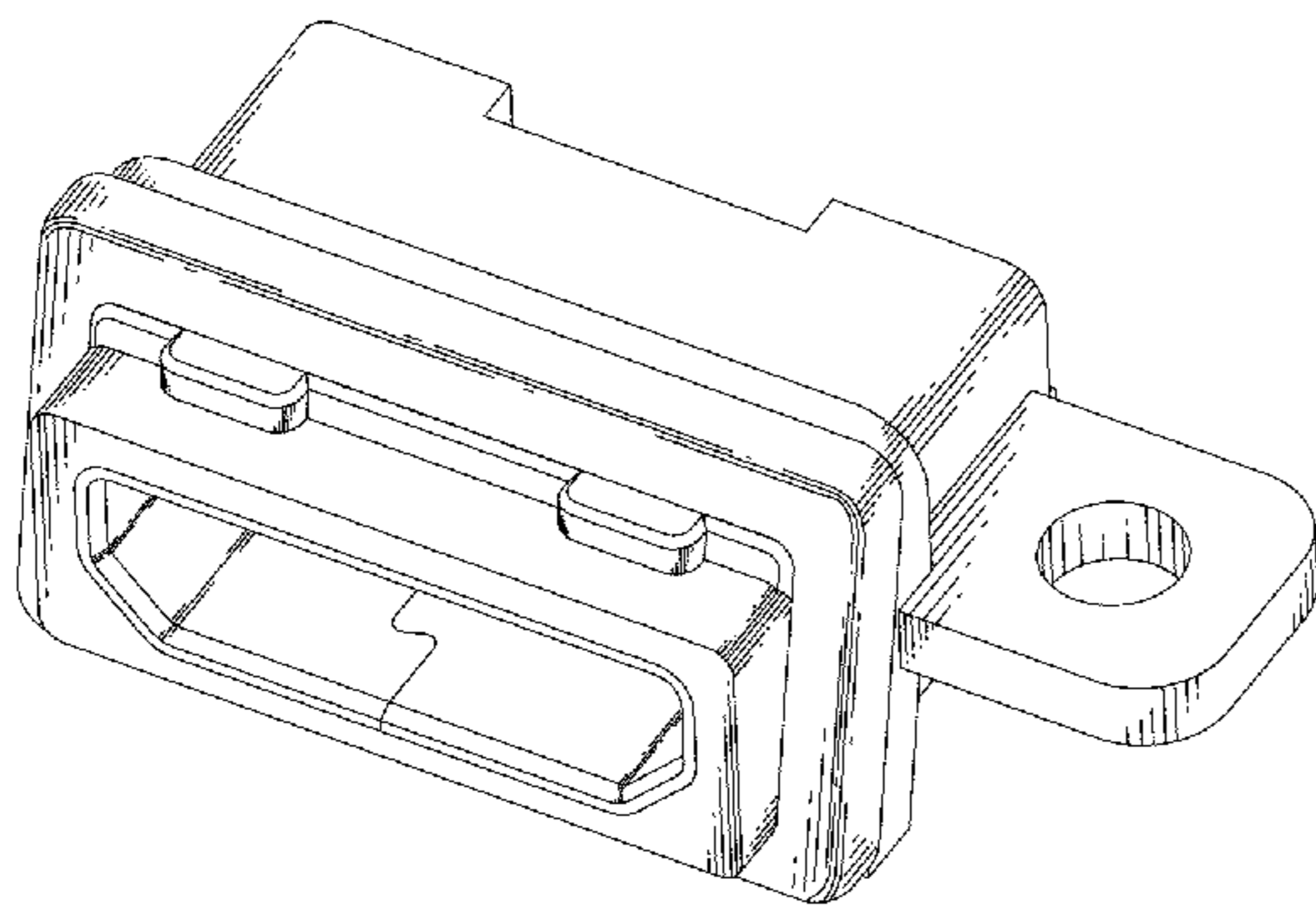
(57) **CLAIM**

The ornamental design for a receptacle connector, as shown and described.

DESCRIPTION

FIG. 1 is a perspective view of a receptacle connector showing our new design;
FIG. 2 is a front elevational view thereof;
FIG. 3 is a rear elevational view thereof;
FIG. 4 is a left side elevational view thereof;
FIG. 5 is a right side elevational view thereof;
FIG. 6 is a top plan view thereof;
FIG. 7 is a bottom plan view thereof; and,
FIG. 8 is another perspective view of the receptacle connector showing our new design.
The broken line portion of the figure drawings is included to show unclaimed subject matter only and forms no part of the claimed design.

1 Claim, 8 Drawing Sheets



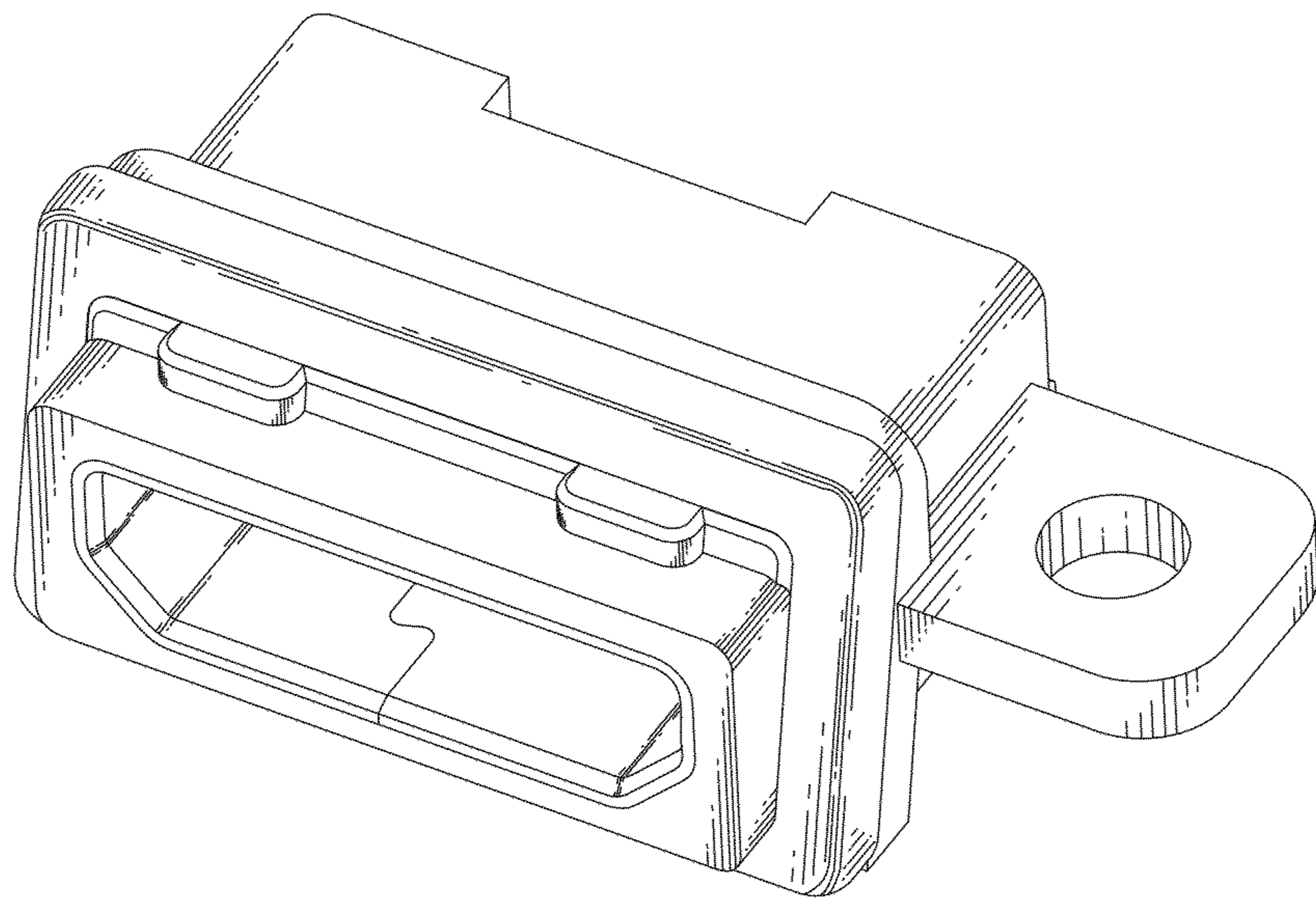


FIG. 1

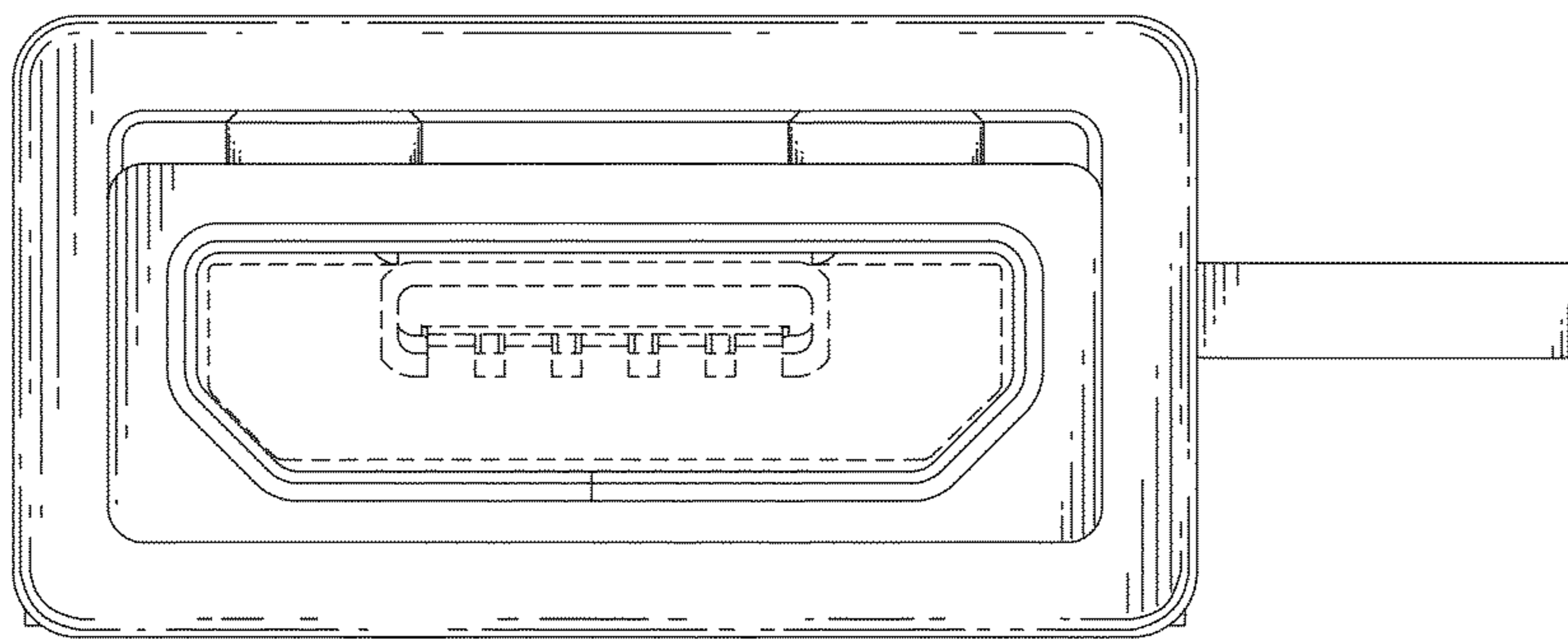


FIG. 2

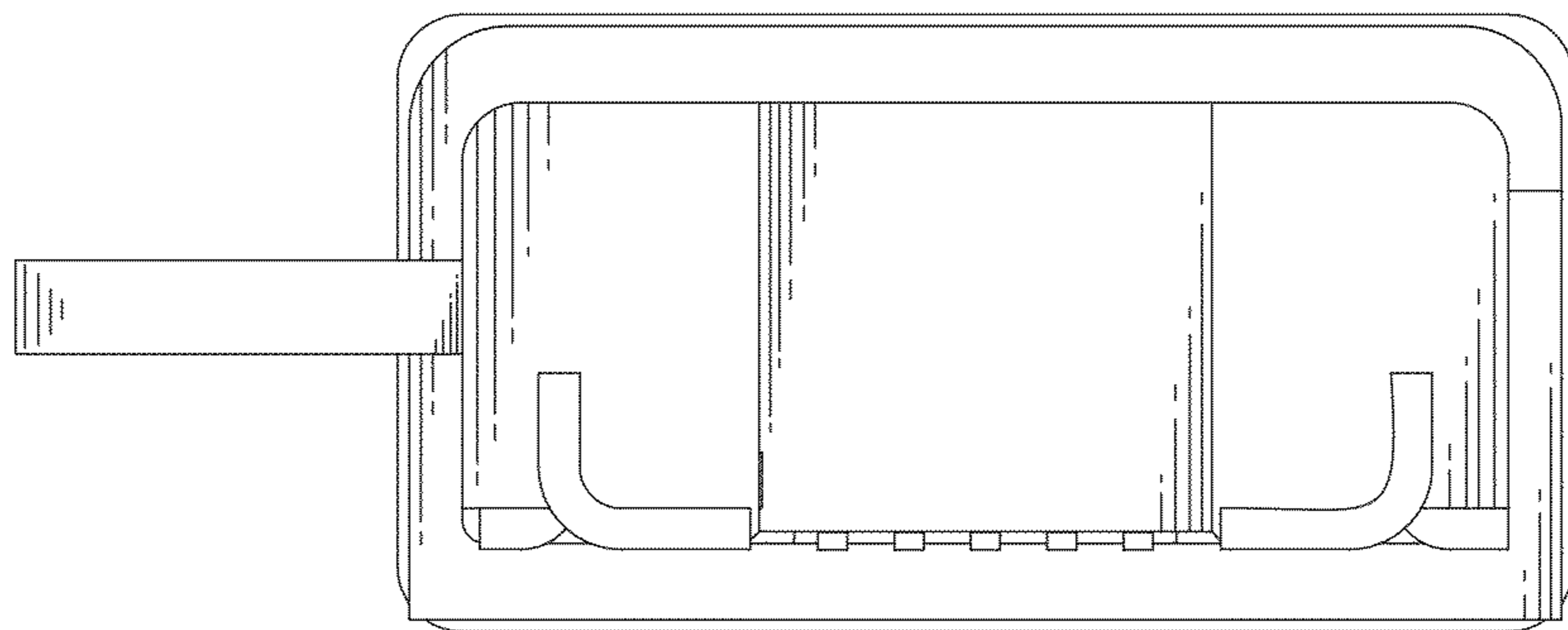


FIG. 3

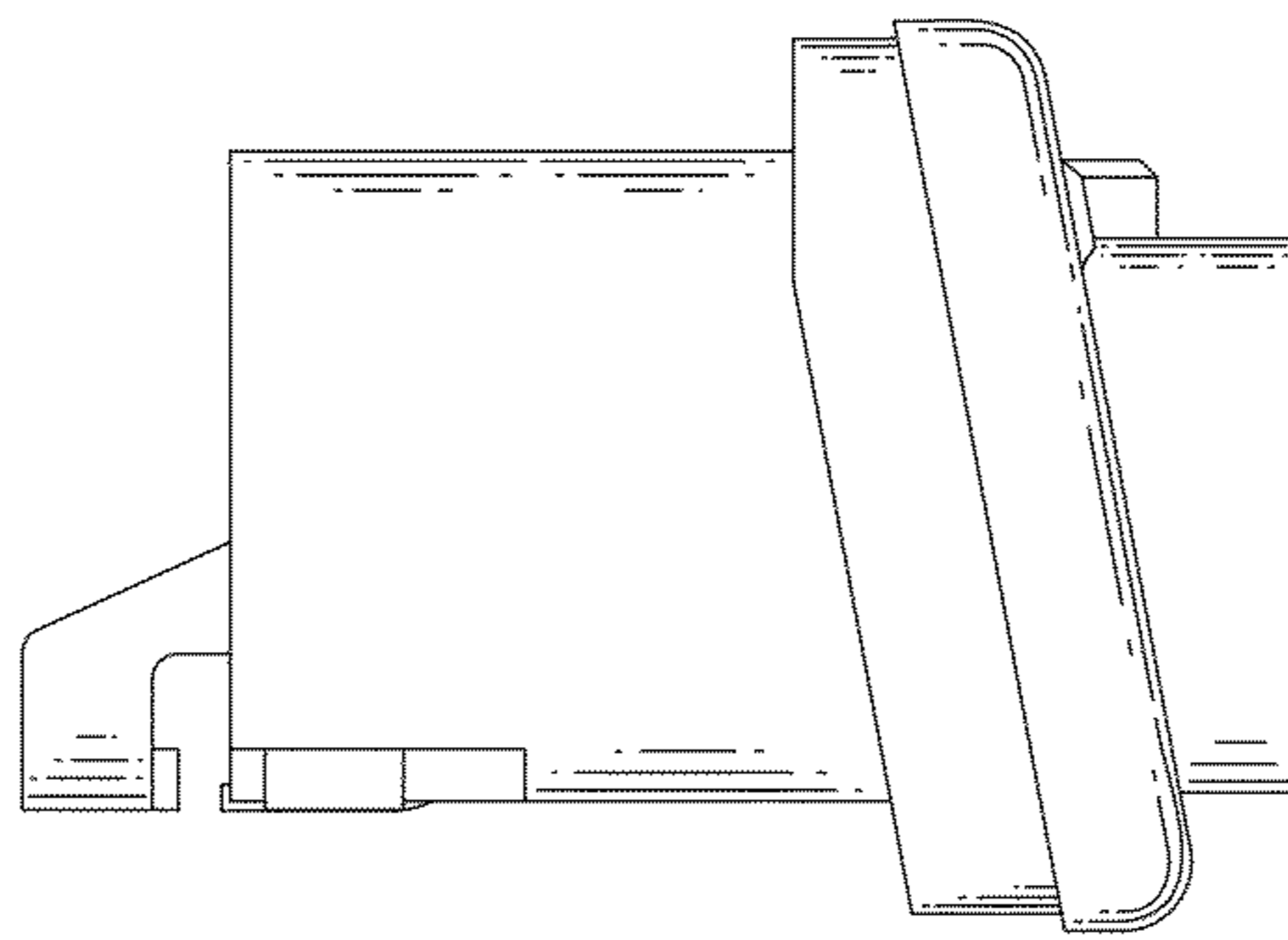


FIG. 4

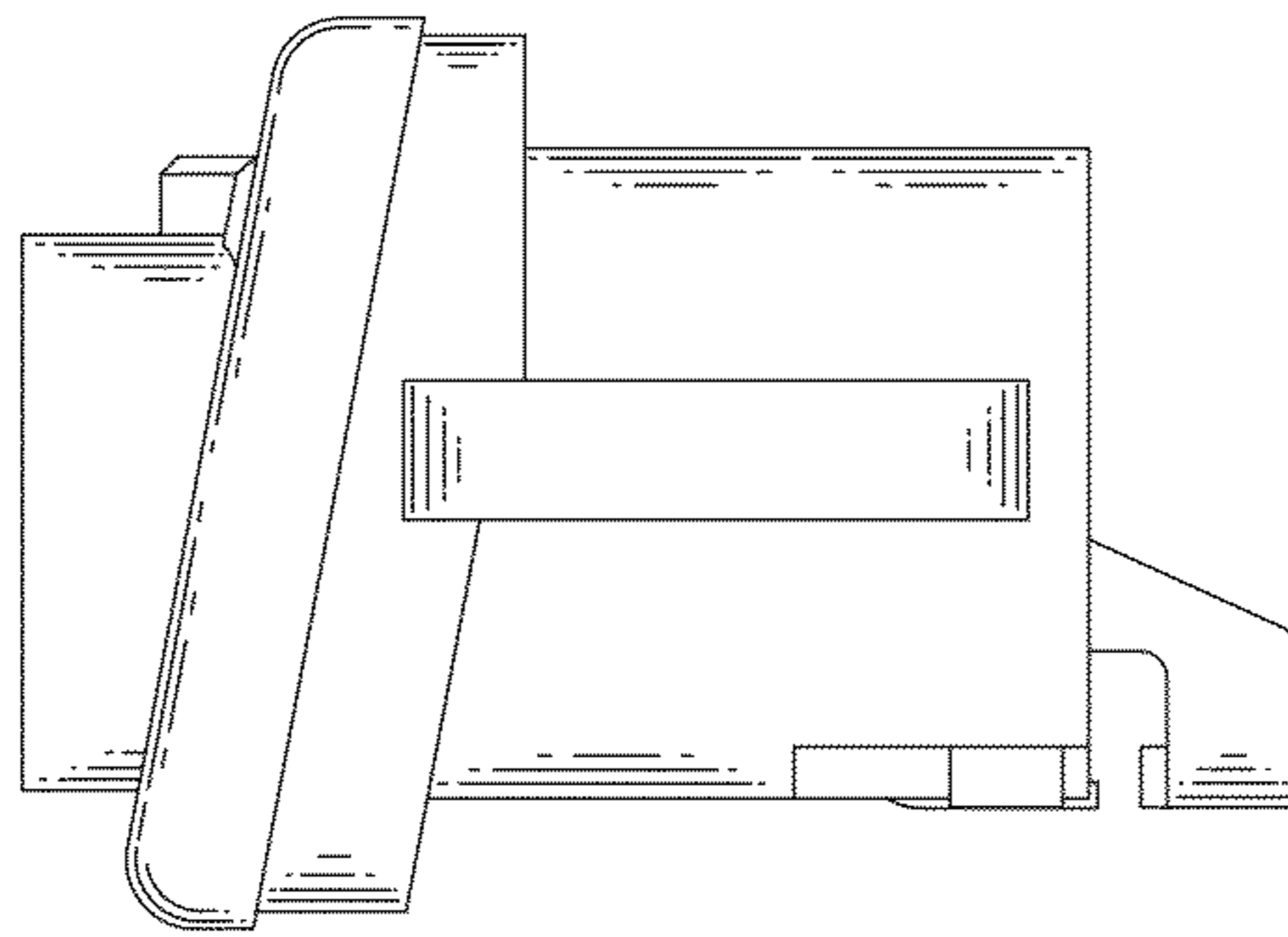


FIG. 5

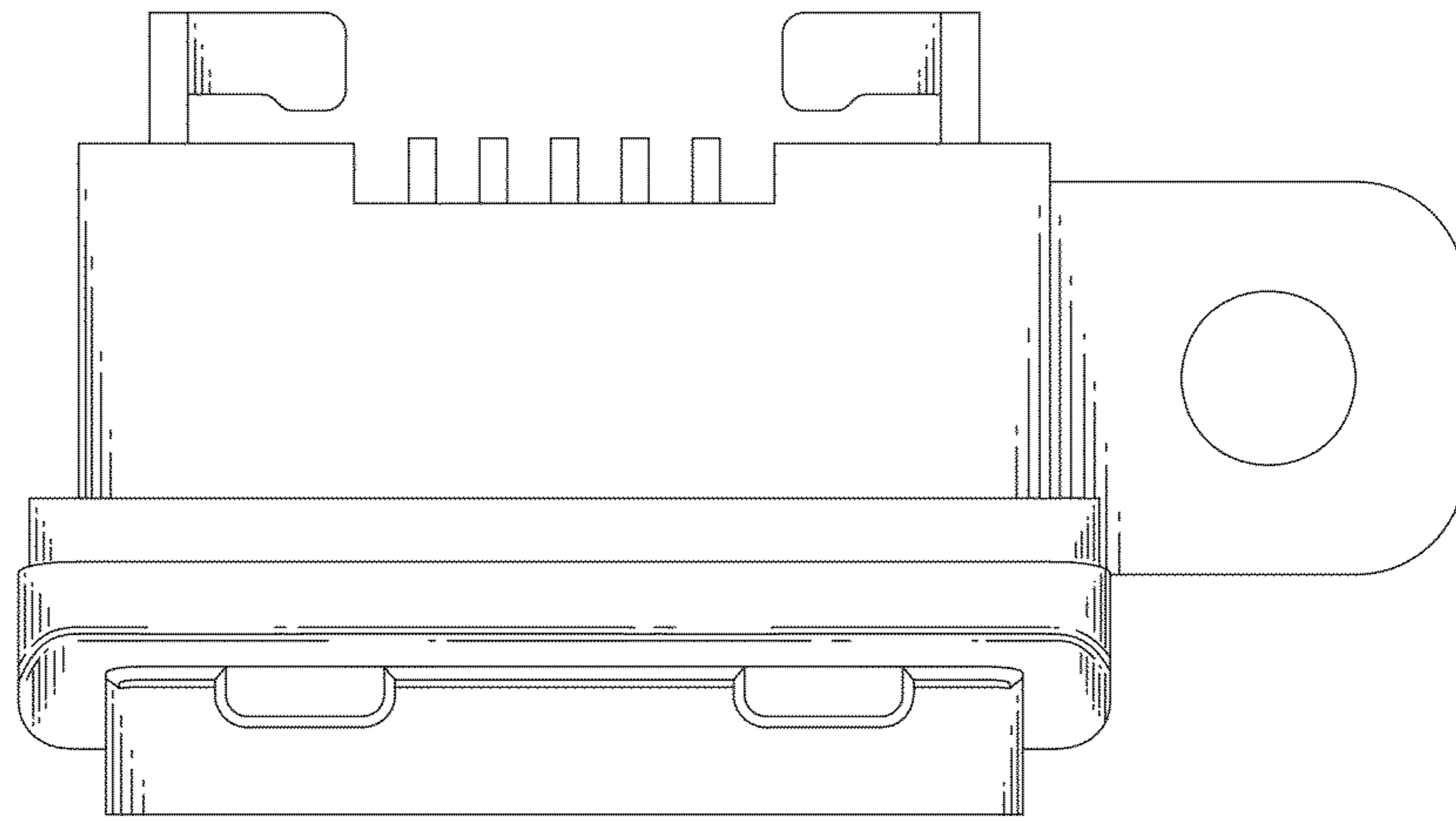


FIG. 6

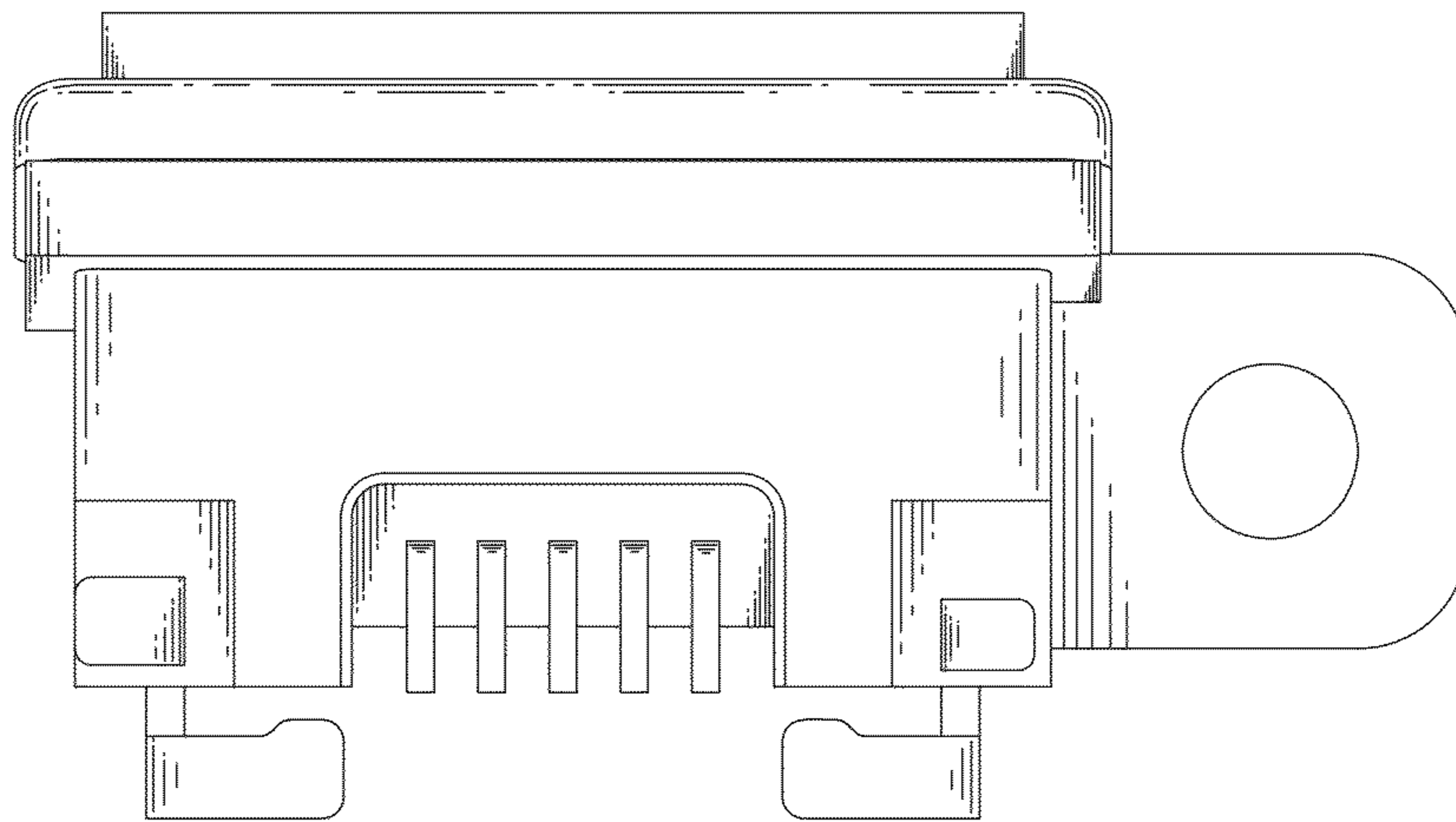


FIG. 7

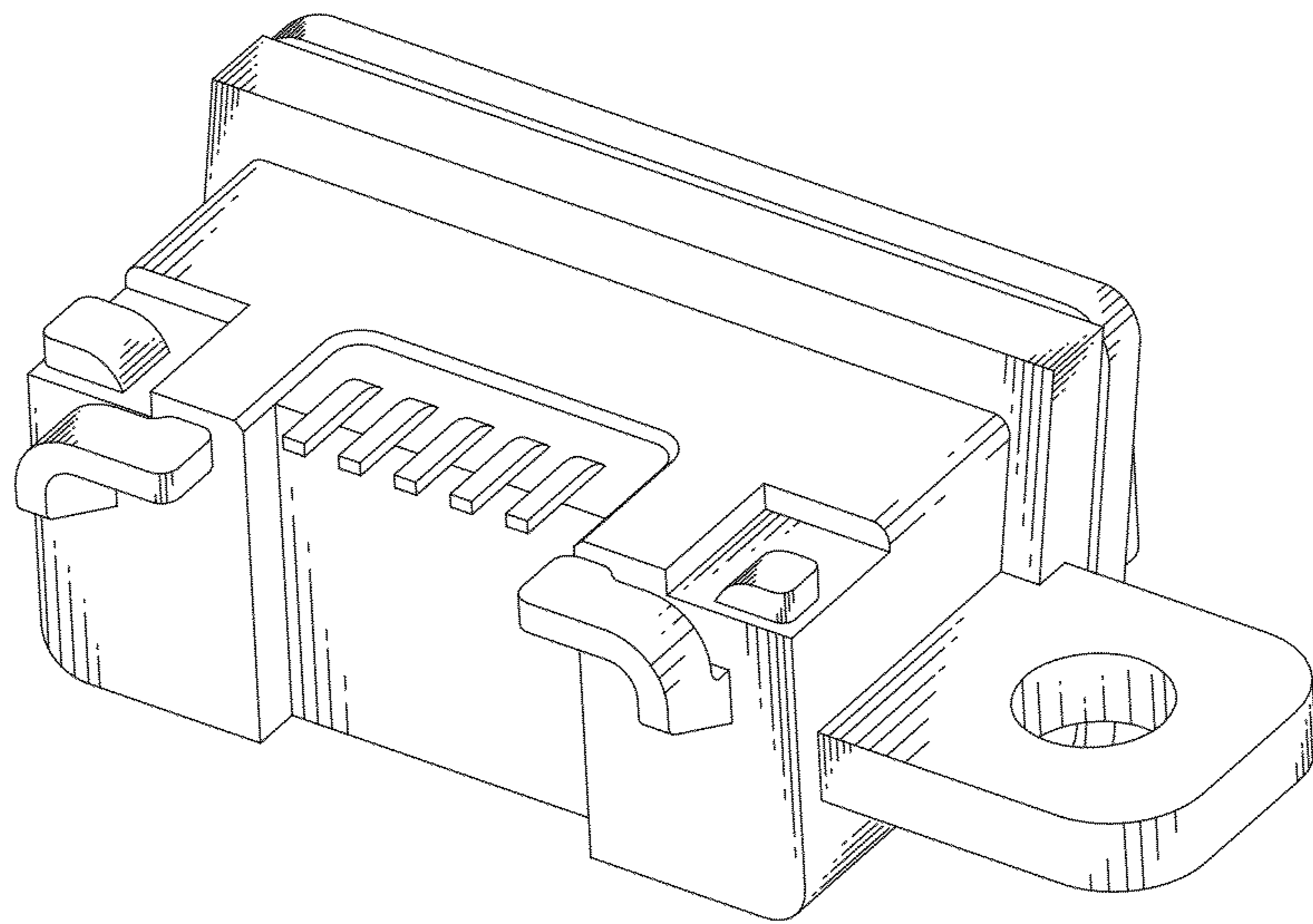


FIG. 8