



US00D684932S

(12) **United States Design Patent**
Nishimura et al.

(10) **Patent No.:** **US D684,932 S**
(45) **Date of Patent:** **** Jun. 25, 2013**

(54) **ELECTRICAL CONNECTOR**

(75) Inventors: **Takayuki Nishimura**, Tokyo (JP);
Hiroaki Obikane, Tokyo (JP); **Yuzo Sato**, Tokyo (JP)

(73) Assignee: **Japan Aviation Electronics Industry, Limited**, Tokyo (JP)

(**) Term: **14 Years**

(21) Appl. No.: **29/415,156**

(22) Filed: **Mar. 8, 2012**

(30) **Foreign Application Priority Data**

Sep. 22, 2011 (JP) 2011-021624

(51) **LOC (9) Cl.** **13-03**

(52) **U.S. Cl.**
USPC **D13/147**

(58) **Field of Classification Search**
USPC D13/120, 133, 147, 154, 184, 199;
439/78-79, 83, 108, 181, 607.01, 607.04,
439/607.05, 607.17, 607.25, 607.34, 74,
439/607.41, 607.53, 630, 660
See application file for complete search history.

(56) **References Cited**

U.S. PATENT DOCUMENTS

D570,289 S * 6/2008 Obikane D13/147
D588,541 S * 3/2009 Lee et al. D13/147

D603,799 S * 11/2009 Obikane et al. D13/147
D604,250 S * 11/2009 Obikane et al. D13/147
D641,705 S * 7/2011 Sato et al. D13/147
D642,531 S * 8/2011 Nishimura et al. D13/147

* cited by examiner

Primary Examiner — Daniel Bui

(74) *Attorney, Agent, or Firm* — Westerman, Hattori, Daniels & Adrian, LLP

(57) **CLAIM**

The ornamental design for an electrical connector, as shown and described.

DESCRIPTION

FIG. 1 is a front elevational view of an electrical connector, showing our new design, the rear elevational view being identical thereto;

FIG. 2 is a right side elevational view thereof, the left side elevational view being identical thereto;

FIG. 3 is a top plan view thereof;

FIG. 4 is a bottom plan view thereof;

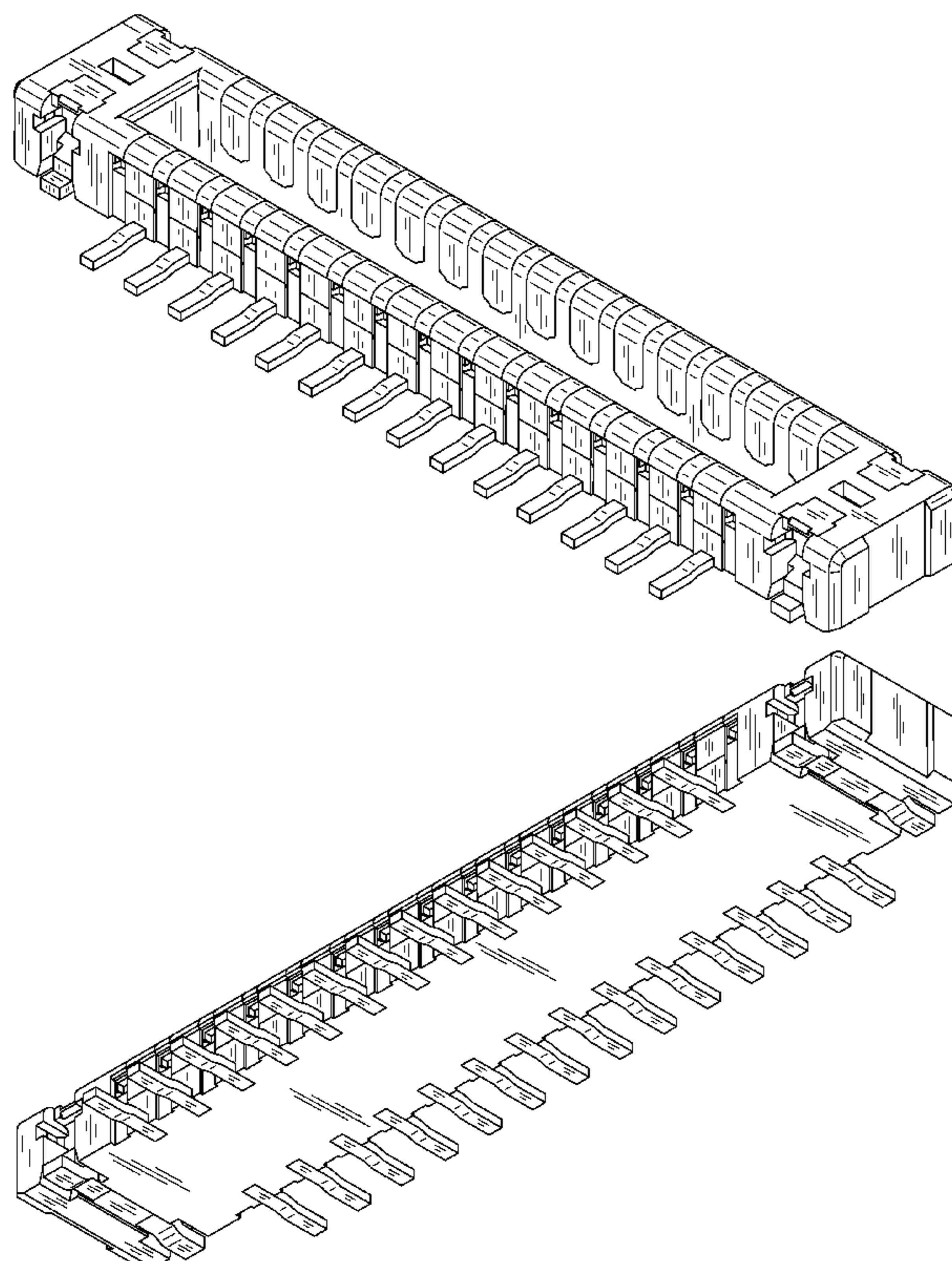
FIG. 5 is a cross-sectional view, taken along line 5-5 of FIG. 1;

FIG. 6 is a right front perspective view showing the top thereof; and,

FIG. 7 is a right front perspective view showing the bottom thereof.

The broken lines illustrate environmental structure and form no part of the claimed design.

1 Claim, 7 Drawing Sheets



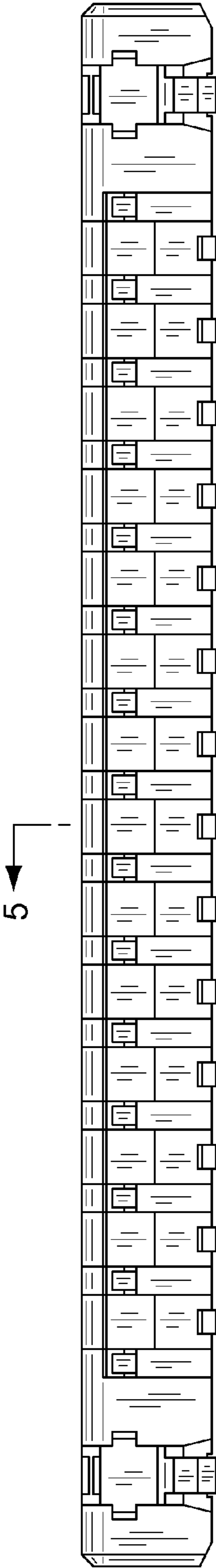


FIG.1

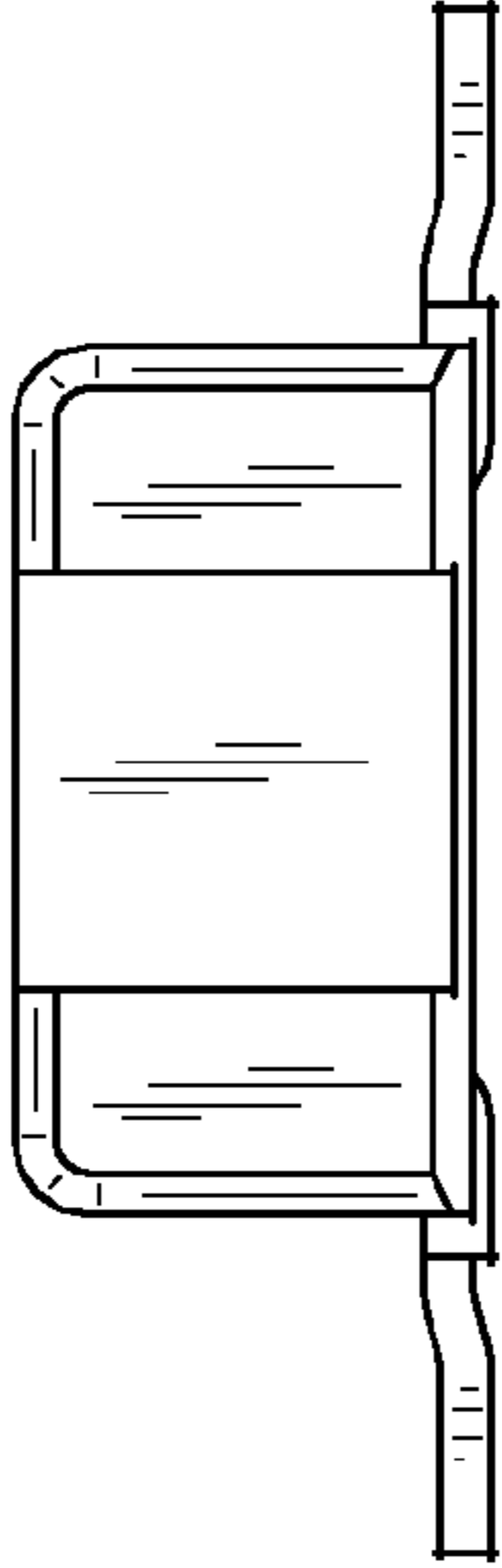


FIG.2

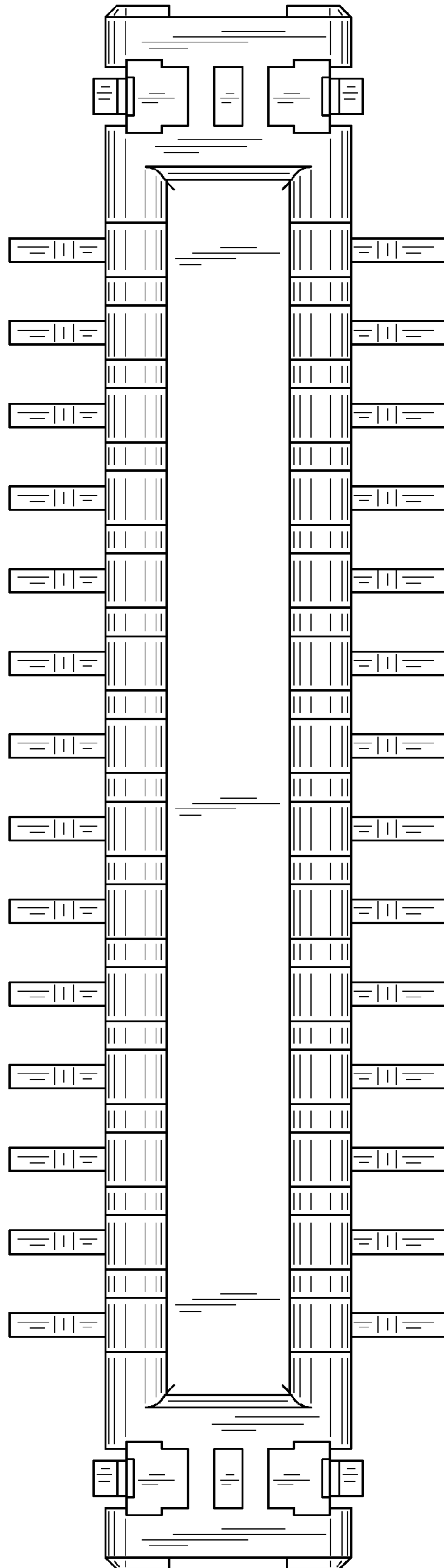


FIG.3

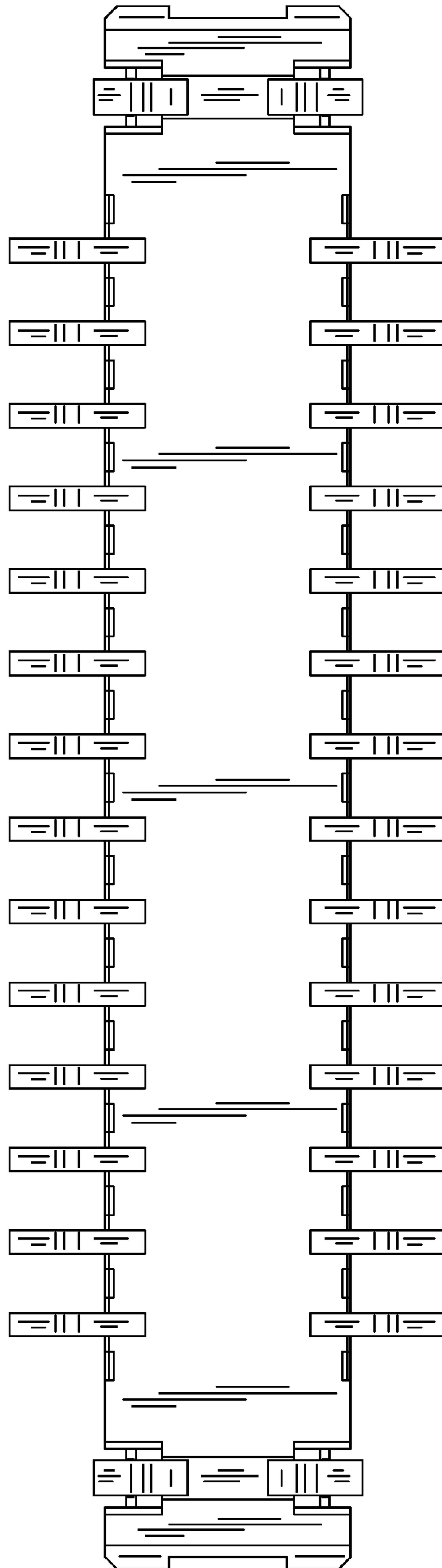


FIG.4

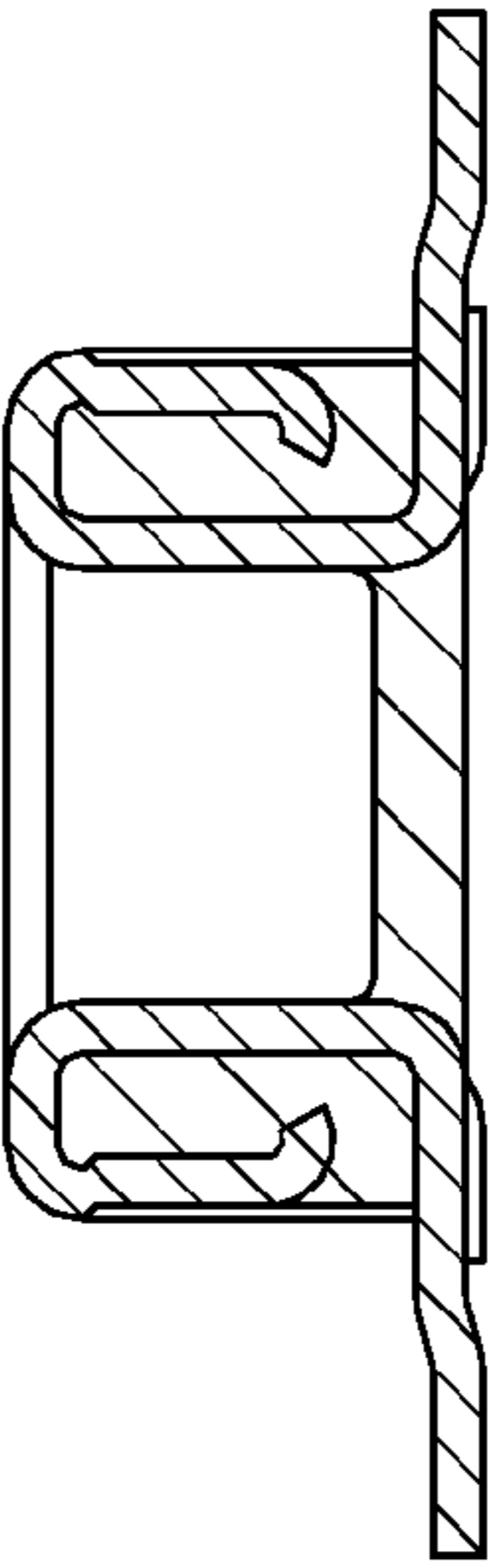


FIG.5

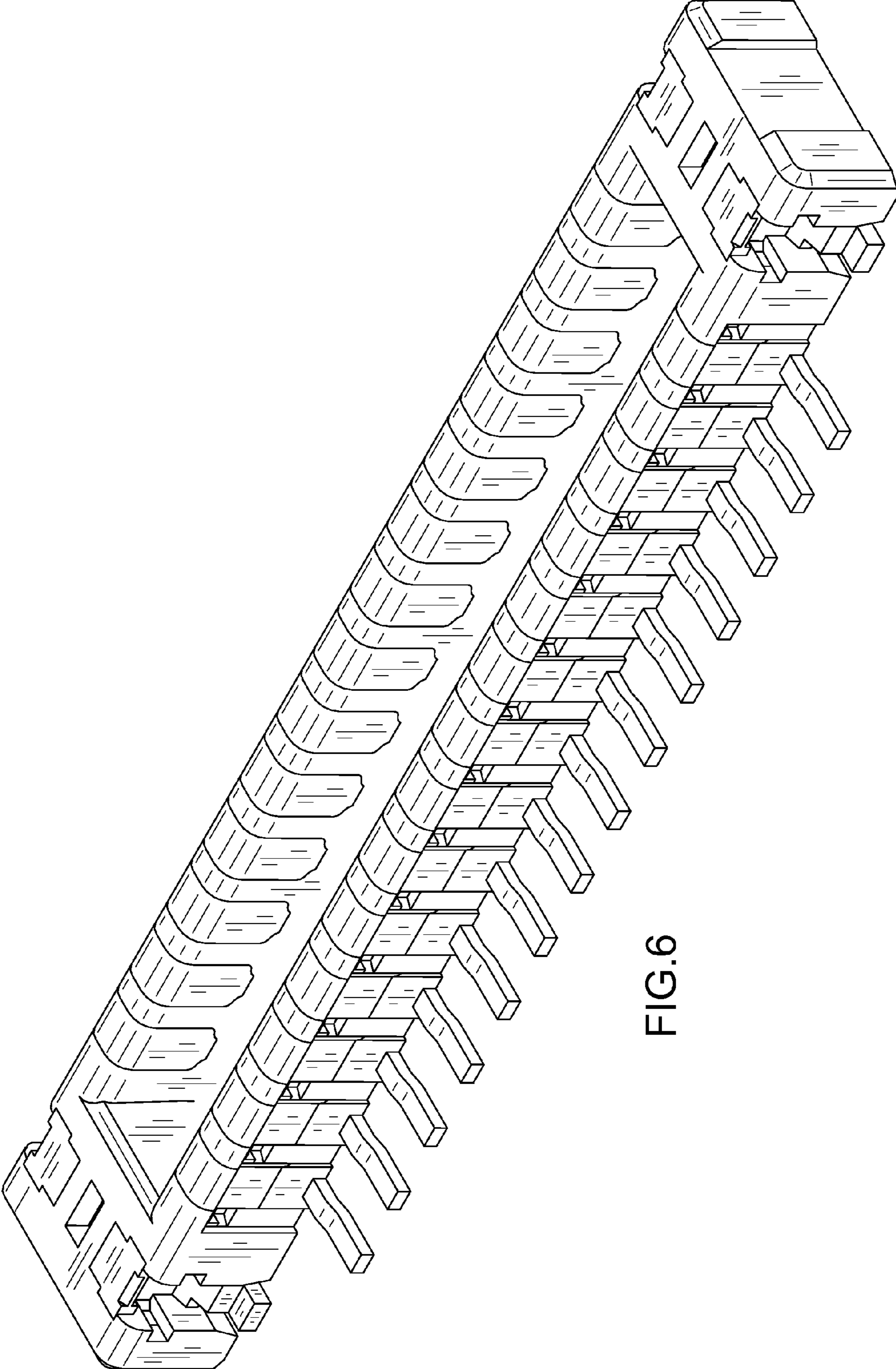


FIG.6

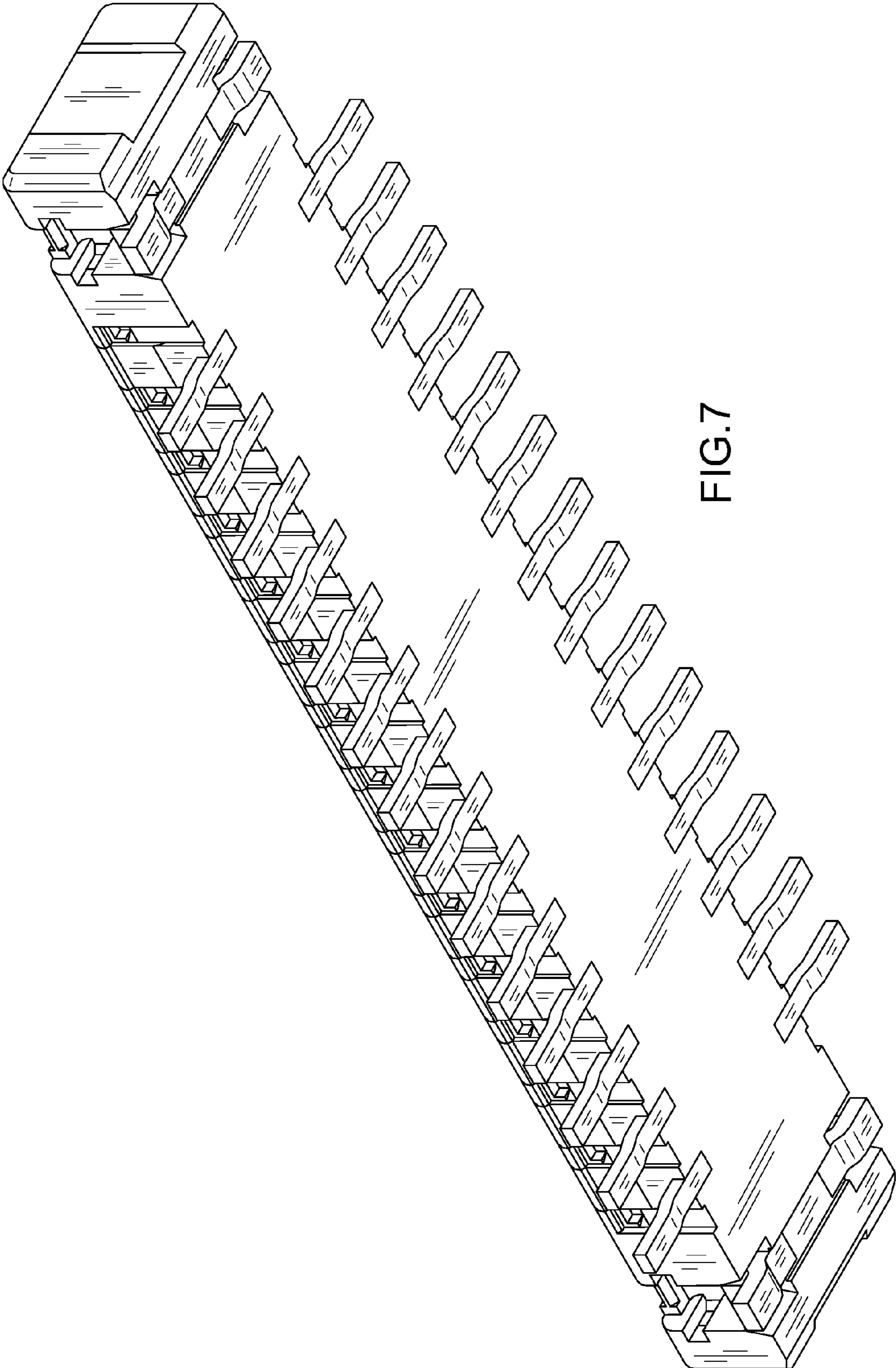


FIG.7