



US00D684930S

(12) **United States Design Patent**
Wang

(10) **Patent No.:** **US D684,930 S**

(45) **Date of Patent:** **** *Jun. 25, 2013**

(54) **CAR CHARGER**

(56) **References Cited**

(76) Inventor: **Wen Fee Wang**, Las Vegas, NV (US)

U.S. PATENT DOCUMENTS

D506,455 S * 6/2005 Bey et al. D14/155
D622,218 S * 8/2010 Tseng et al. D13/144
D627,720 S * 11/2010 DuMelle et al. D13/110

(*) Notice: This patent is subject to a terminal disclaimer.

* cited by examiner

Primary Examiner — Daniel Bui

(**) Term: **14 Years**

(57) **CLAIM**

The ornamental design for a car charger, as shown and described.

(21) Appl. No.: **29/372,753**

DESCRIPTION

(22) Filed: **Jan. 6, 2011**

FIG. 1 is a perspective view of a car charger showing my new design;

FIG. 2 is a top view;

FIG. 3 is a bottom view;

FIG. 4 is a right side view;

FIG. 5 is a left side view;

FIG. 6 is a front view; and,

FIG. 7 is rear side view.

The broken line portion of the figure drawings is included for the purpose of illustrating environment and forms no part of the claimed design.

(51) **LOC (9) Cl.** **13-03**

(52) **U.S. Cl.**

USPC **D13/144**

(58) **Field of Classification Search**

USPC D13/107, 108, 110, 118, 119, 120,

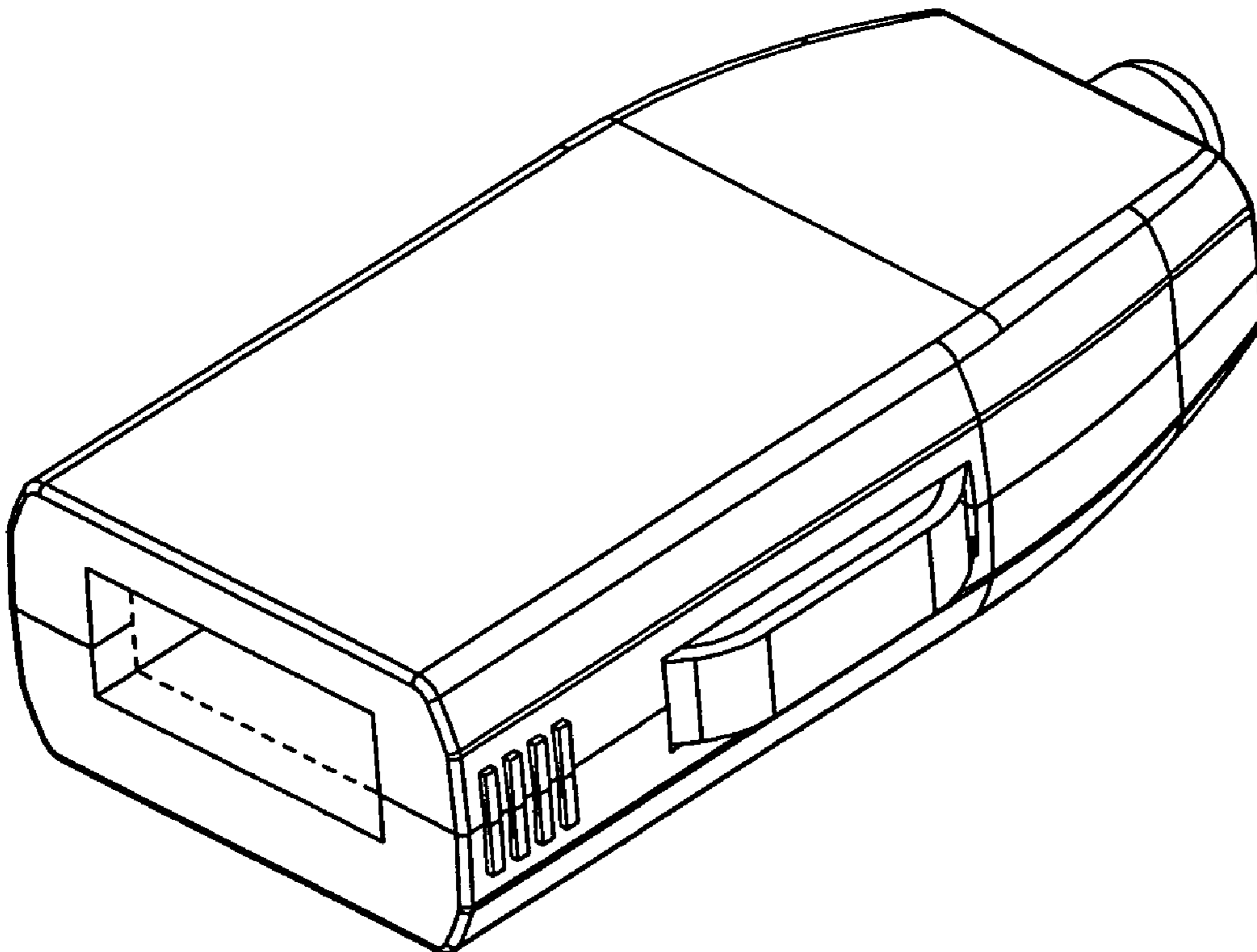
D13/133, 144, 154, 184, 199; 320/107–109;

363/13, 146; 439/300, 620.01, 638, 668–670,

439/675, 825

See application file for complete search history.

1 Claim, 7 Drawing Sheets



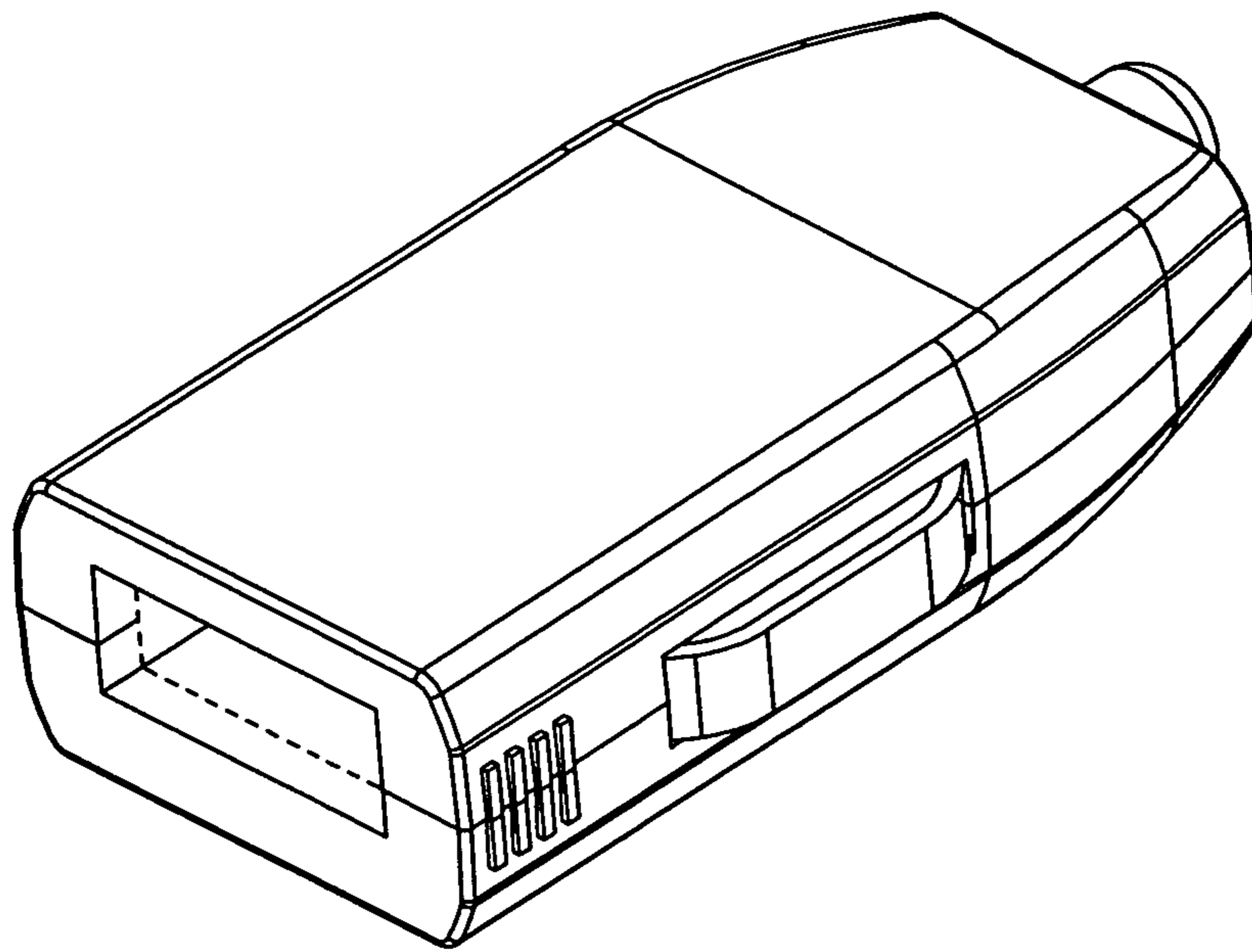


FIG. 1

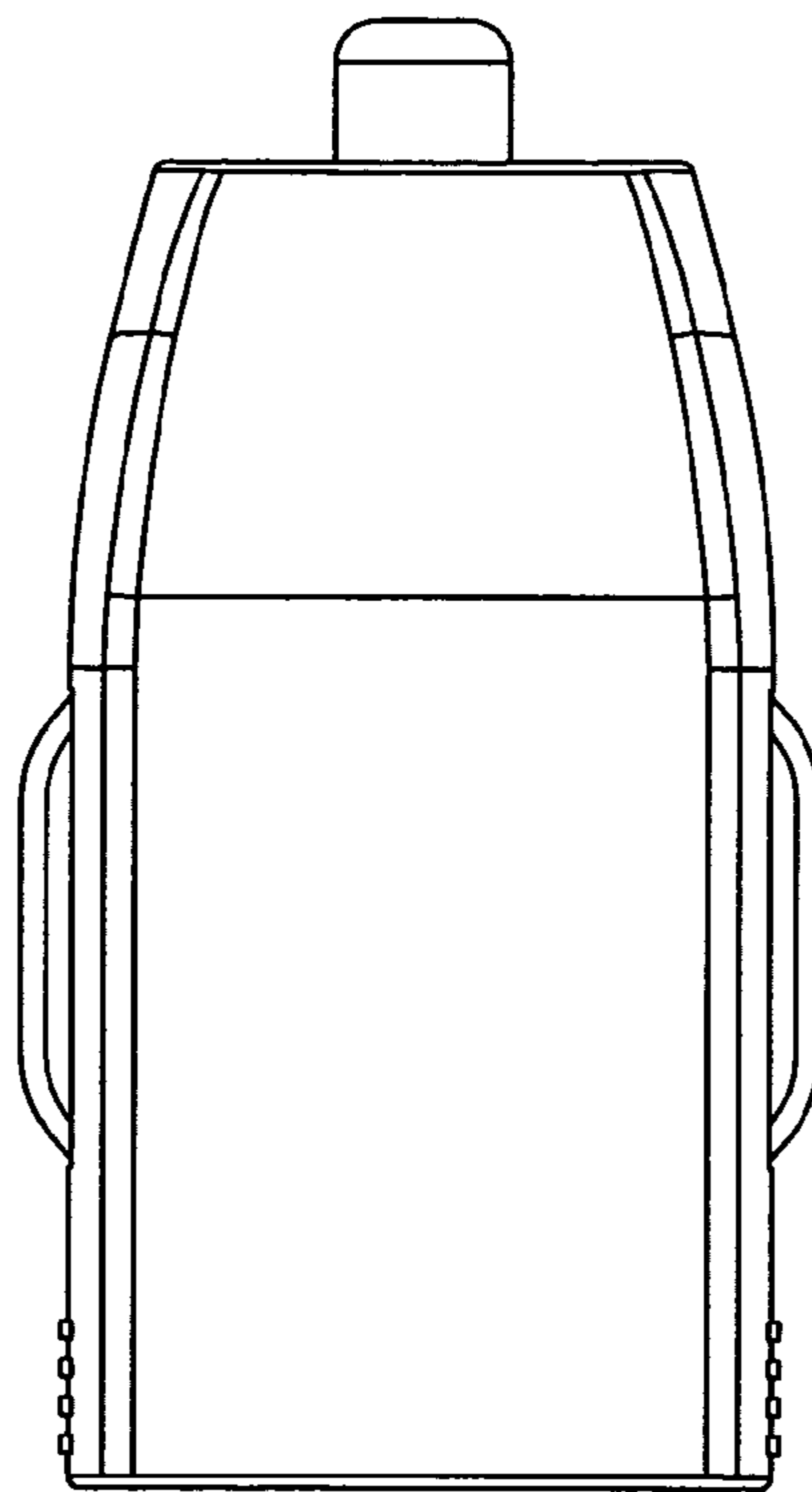


FIG.2

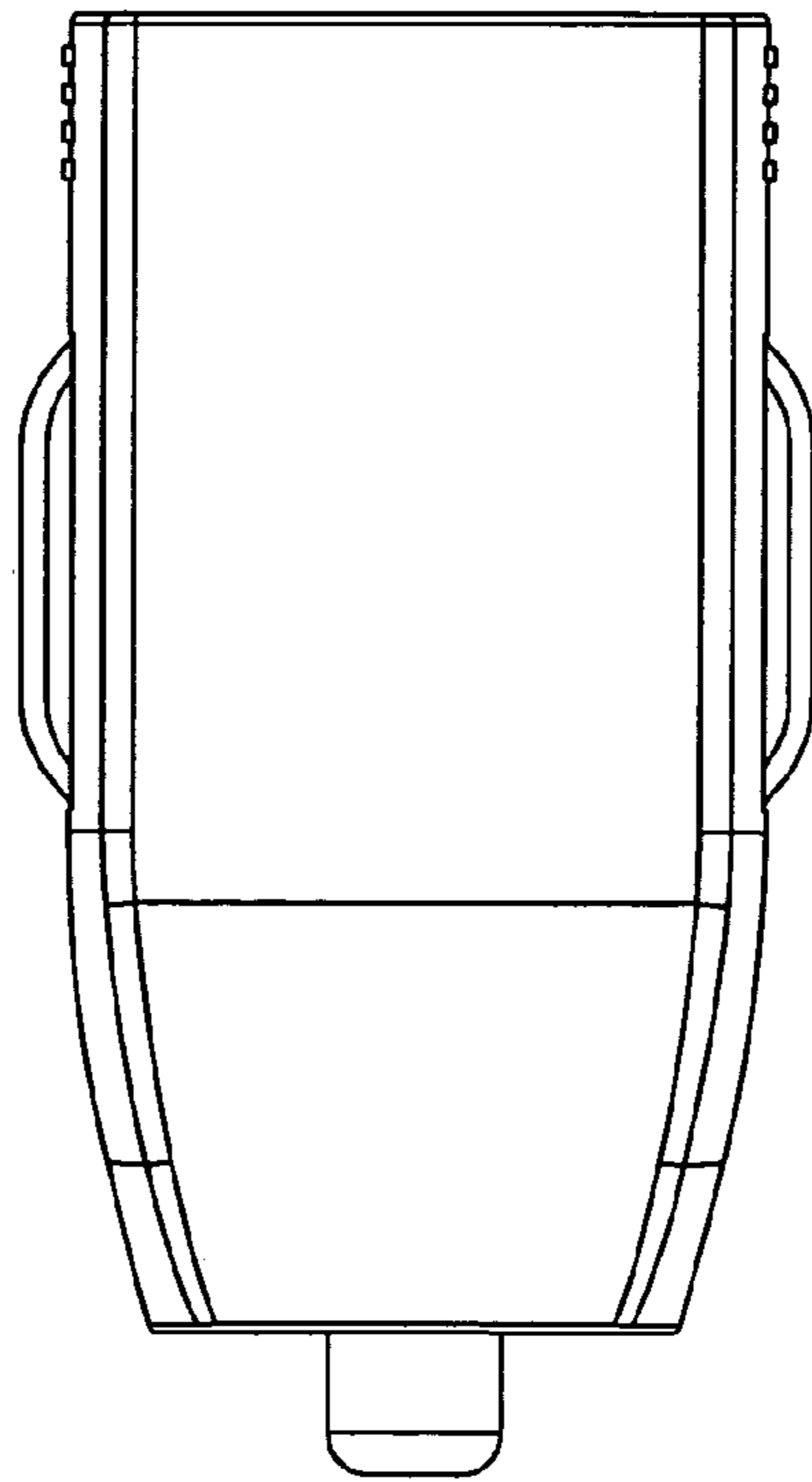


FIG.3

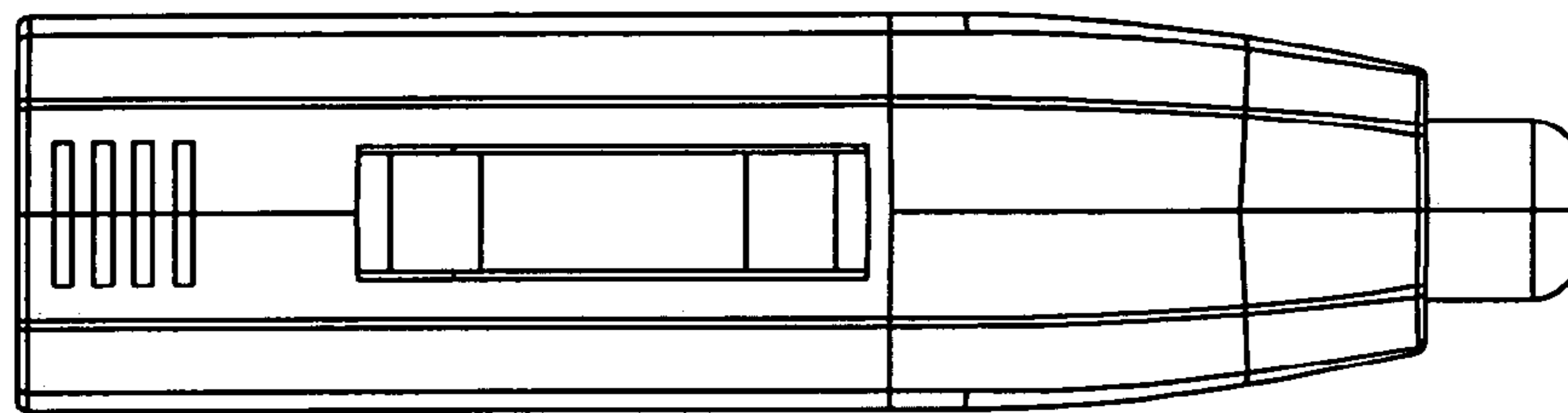


FIG.4

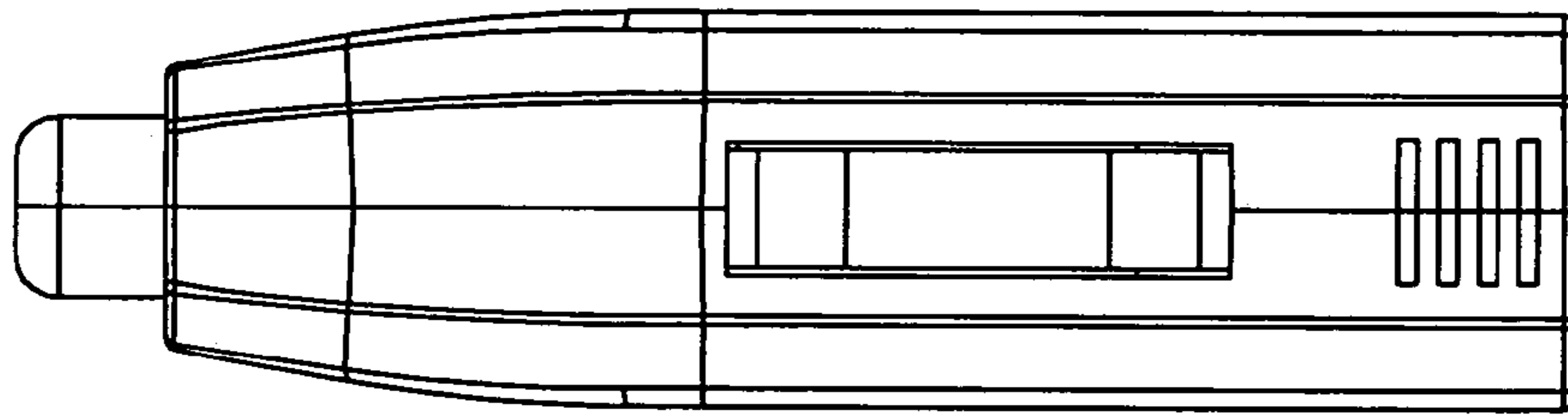


FIG. 5

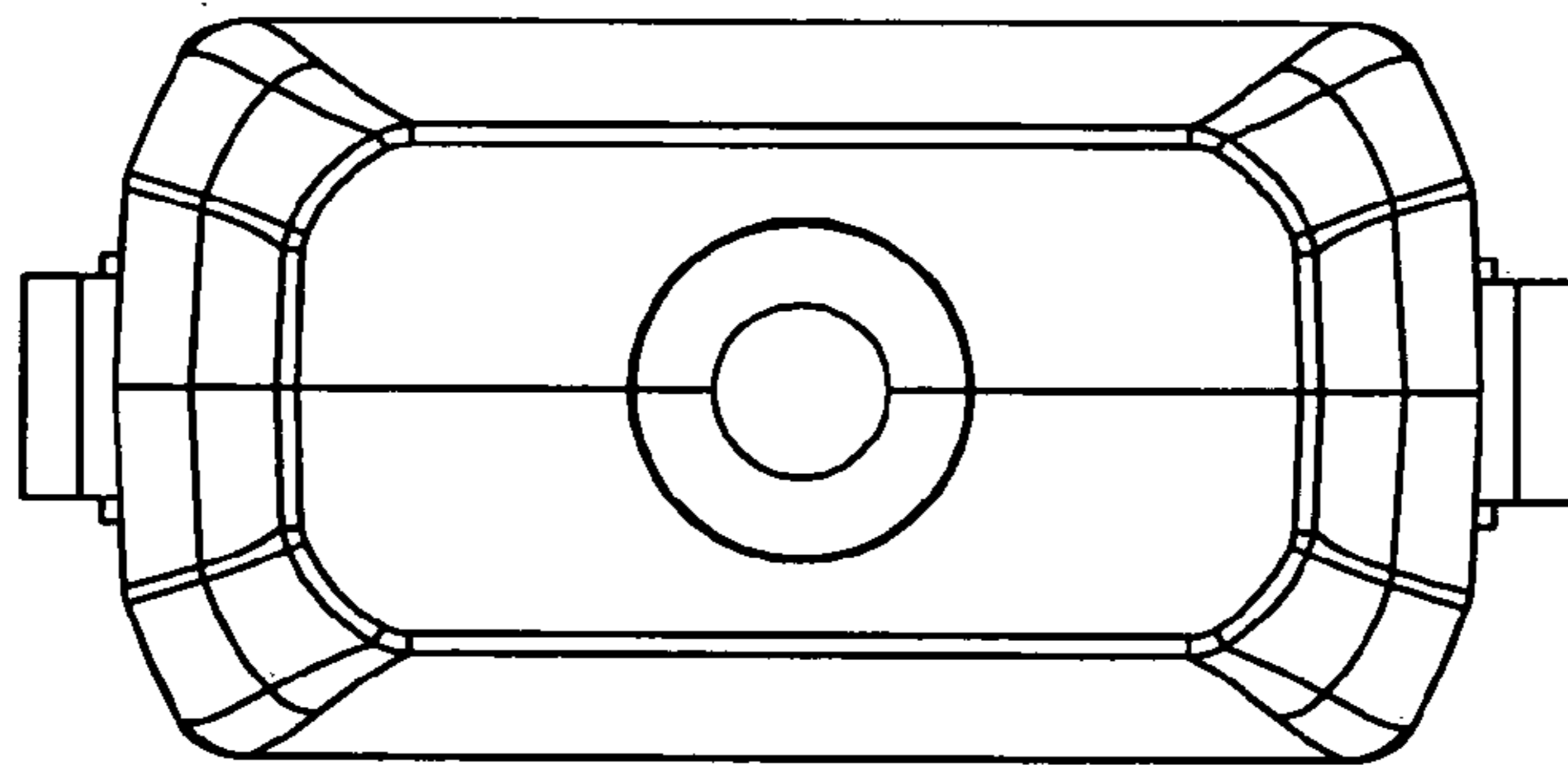


FIG.6

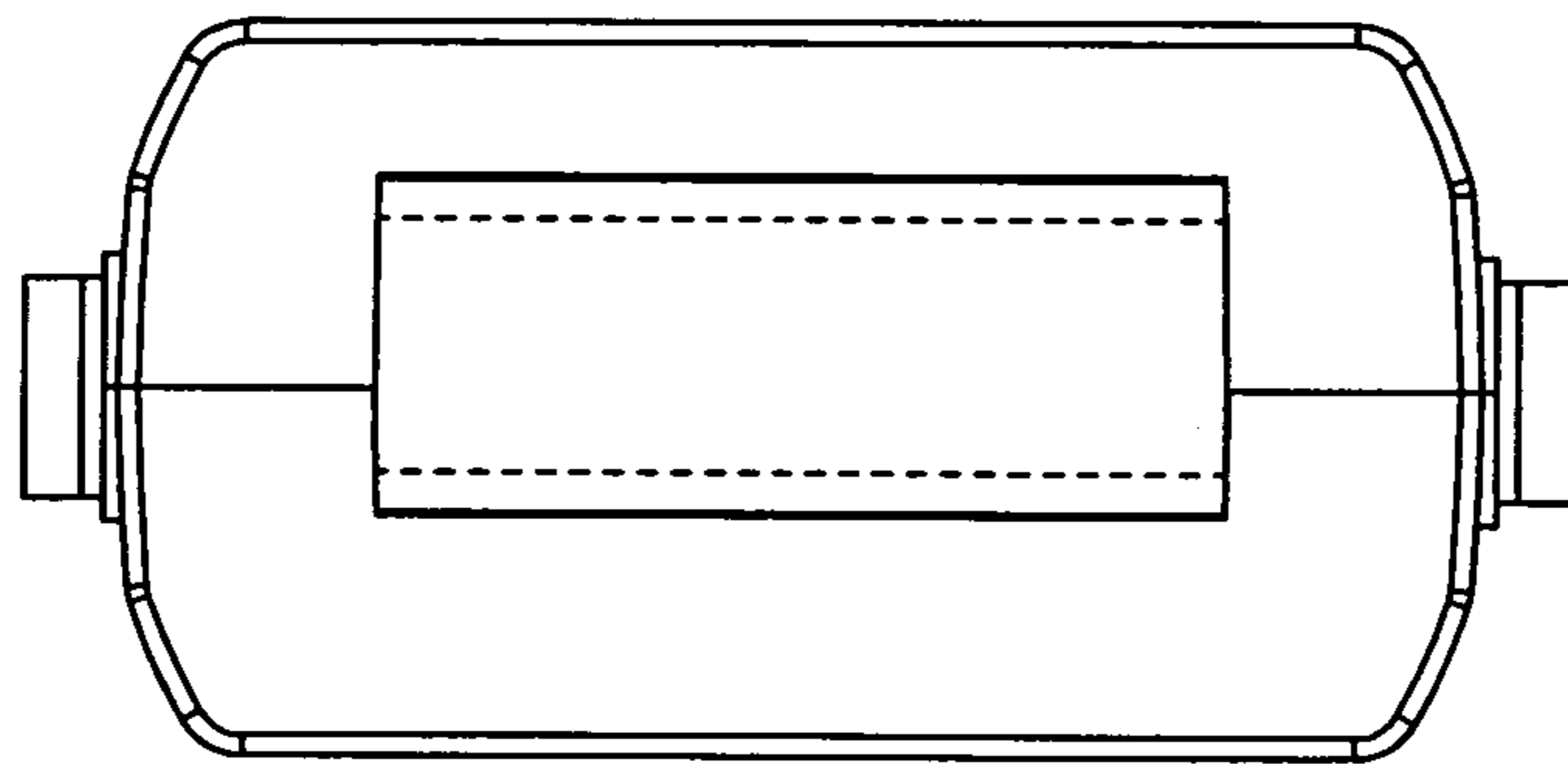


FIG.7