



US00D684929S

(12) **United States Design Patent**
Nook et al.

(10) **Patent No.:** **US D684,929 S**
(45) **Date of Patent:** **** Jun. 25, 2013**

(54) **AC PORT**

(75) Inventors: **Jonathan Lewis Nook**, Gates Mills, OH (US); **William Knight Nook, Sr.**, Shaker Heights, OH (US); **James Richard Stanfield**, Peoria, AZ (US); **Derek Michael Underhill**, Tempe, AZ (US)

(73) Assignee: **The Noco Company**, Glenwillow, OH (US)

(**) Term: **14 Years**

(21) Appl. No.: **29/430,542**

(22) Filed: **Aug. 27, 2012**

(51) **LOC (9) Cl.** **13-03**

(52) **U.S. Cl.**

USPC **D13/137.1**

(58) **Field of Classification Search**

USPC D13/152, 164, 184, 137.1, 139.1, D13/153, 137.2, 133, 137.4, 139.7, 130, 128, D13/132, 138.2, 139.4, 139.8, 139.6, 123, D13/160, 107; 361/683; D9/416, 423

See application file for complete search history.

(56) **References Cited**

U.S. PATENT DOCUMENTS

D316,399 S * 4/1991 Wharton D13/133
D503,925 S * 4/2005 Wu D13/133
7,210,960 B2 * 5/2007 Mak 439/505

OTHER PUBLICATIONS

<http://www.completebatterysource.com/gcpl-ac-port-plug.html>
searched RMS Feb. 28, 2013.*

<http://www.trollingmotors.net/ac-power-port-freshwater> searched RMS Feb. 28, 2013.*

* cited by examiner

Primary Examiner — Robert M Spear

Assistant Examiner — Rhea Shields

(74) *Attorney, Agent, or Firm* — Vorys, Sater, Seymour and Pease LLP; William L. Klima

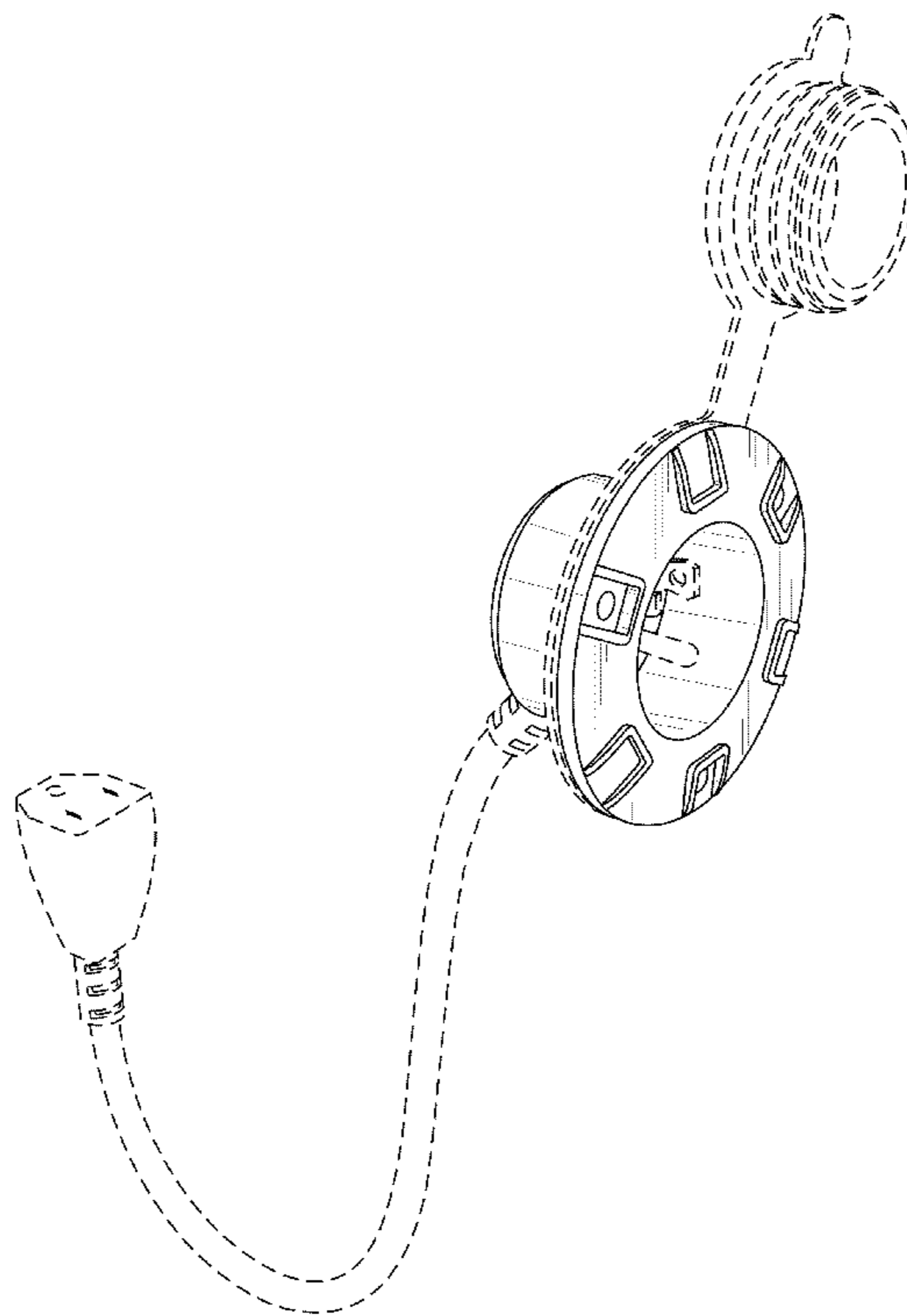
(57) **CLAIM**

The ornamental design for an AC port, as shown and described.

DESCRIPTION

FIG. 1 is a perspective view for an AC port;
FIG. 2 is a front elevational view of the AC port as seen in FIG. 1;
FIG. 3 is a rear elevational view of the AC port as seen in FIG. 1;
FIG. 4 is a left-side elevational view of the AC port as seen in FIG. 1;
FIG. 5 is a right-side elevational view of the AC port as seen in FIG. 1;
FIG. 6 is a top planar view of the AC port as seen in FIG. 1; and,
FIG. 7 is a bottom planar view of the AC port as seen in FIG. 1.
The parts shown in broken lines are not part of the claimed design.

1 Claim, 6 Drawing Sheets



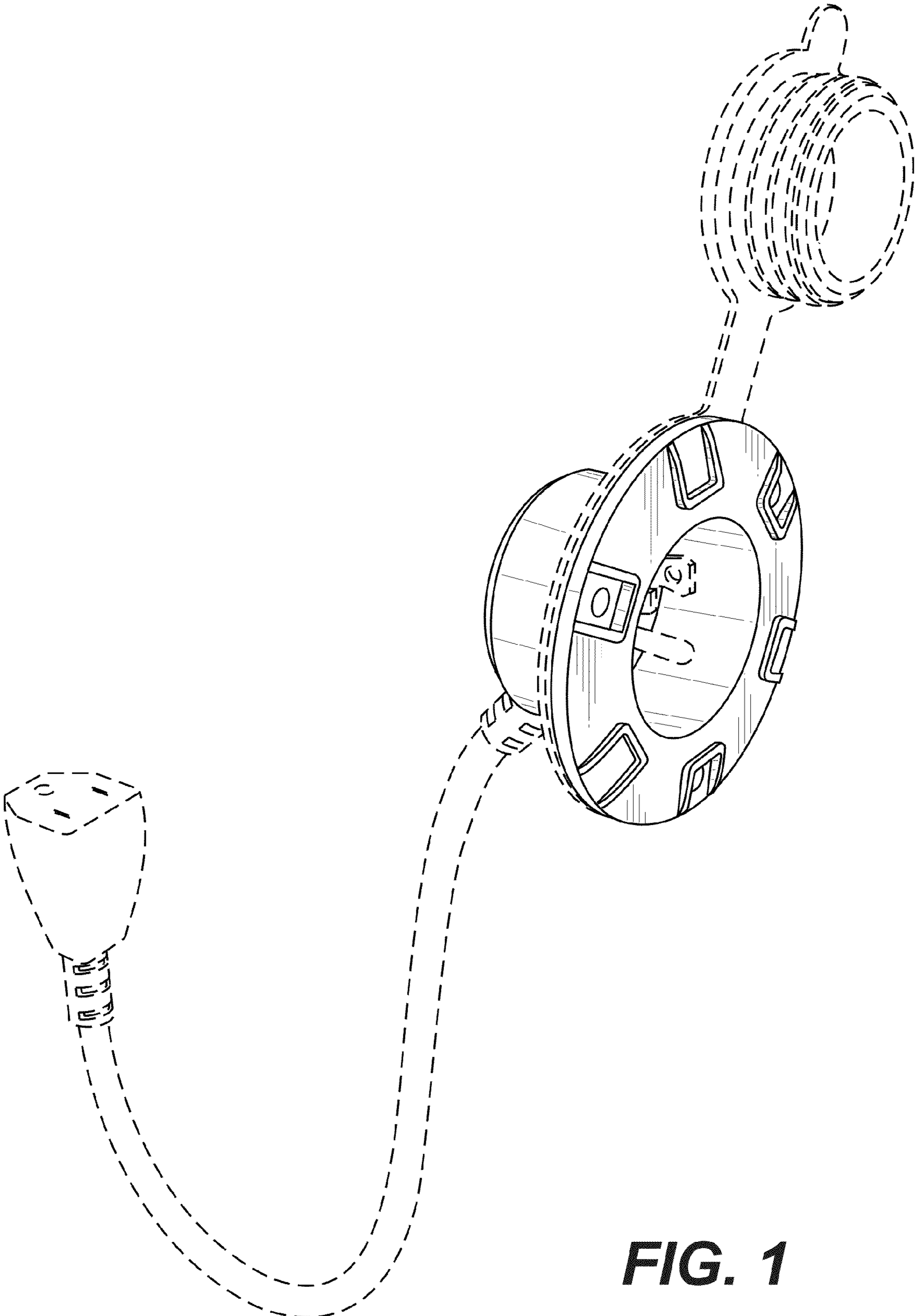


FIG. 1

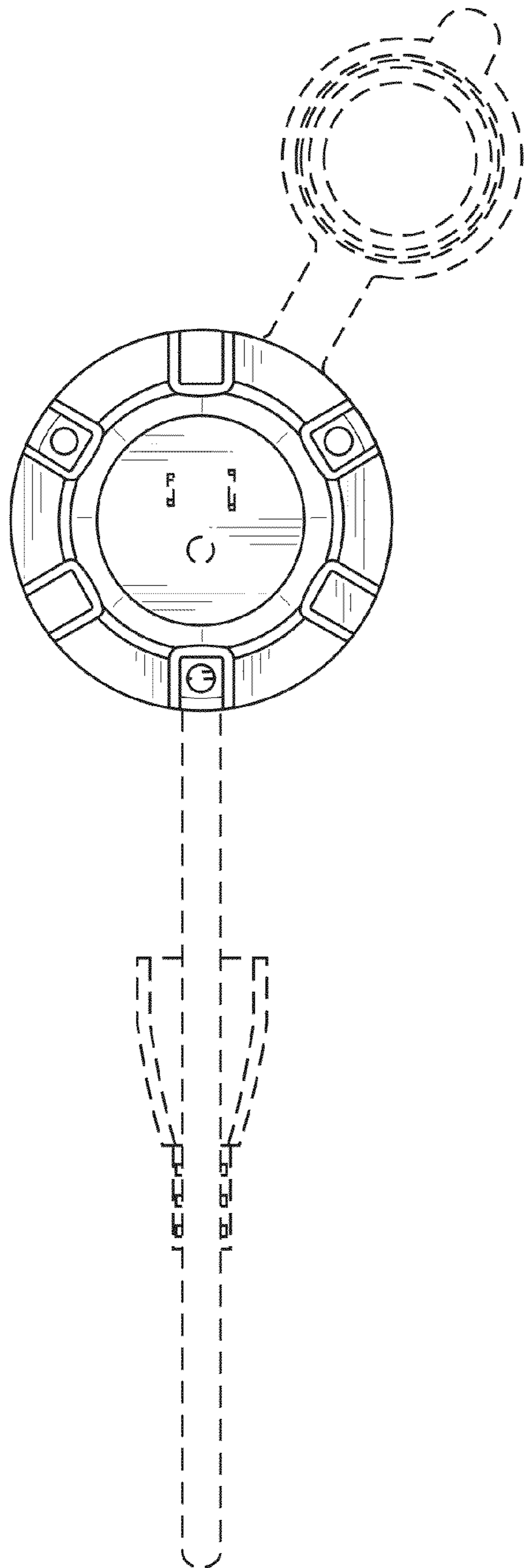


FIG. 2

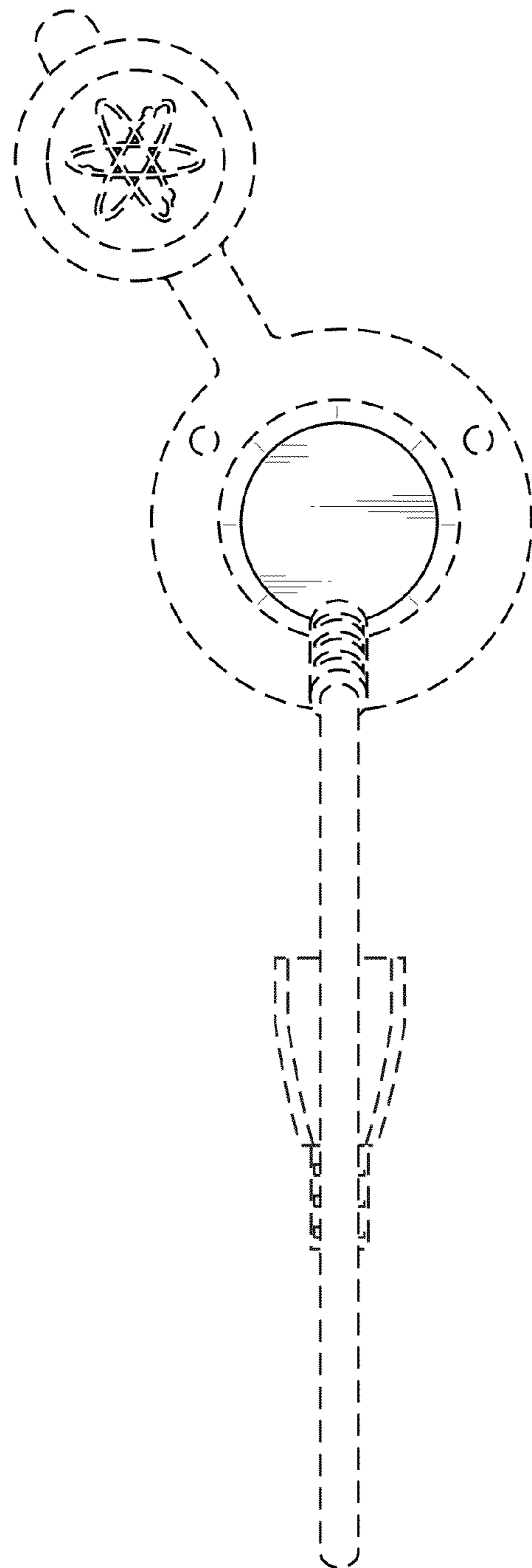


FIG. 3

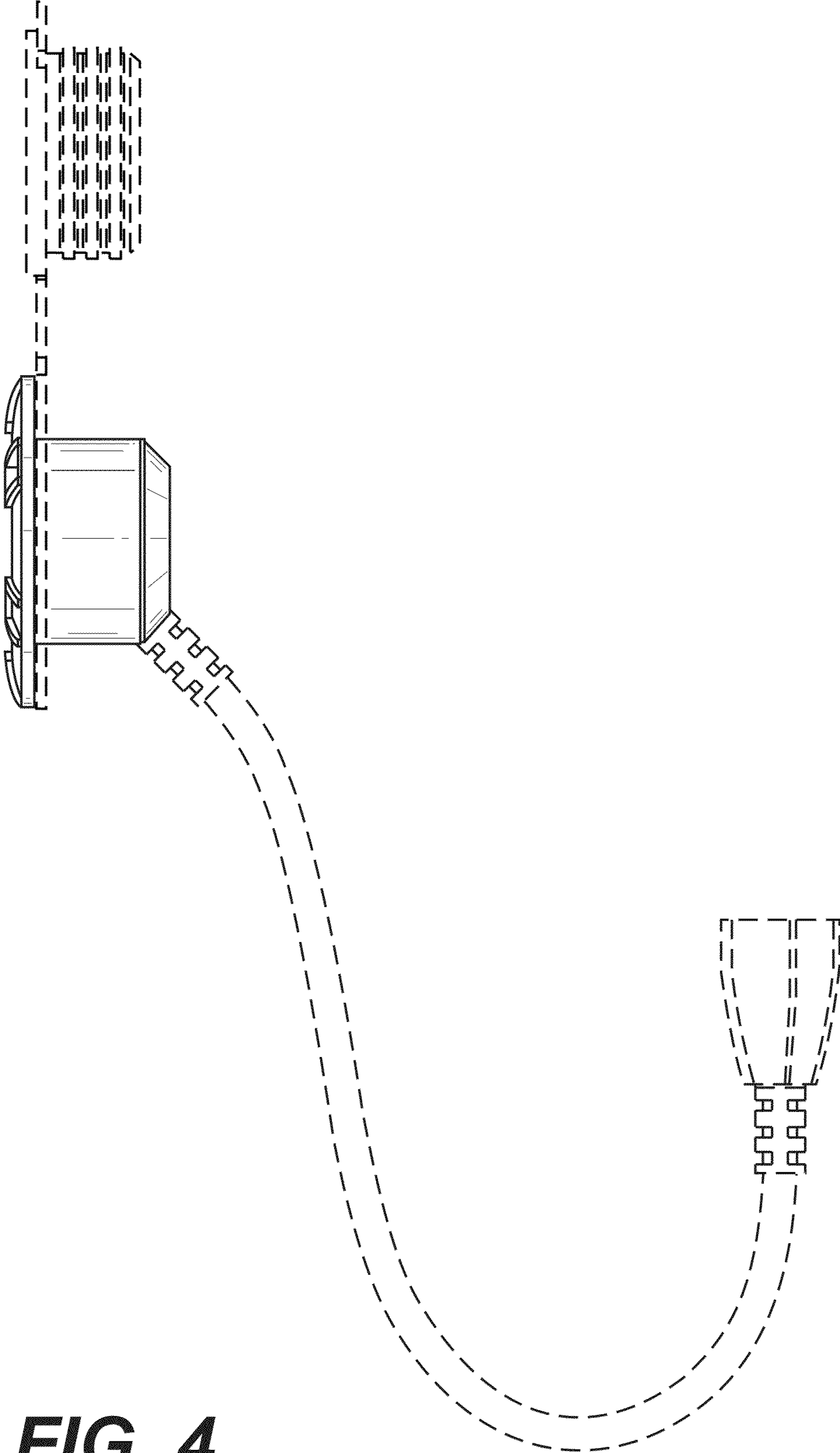


FIG. 4

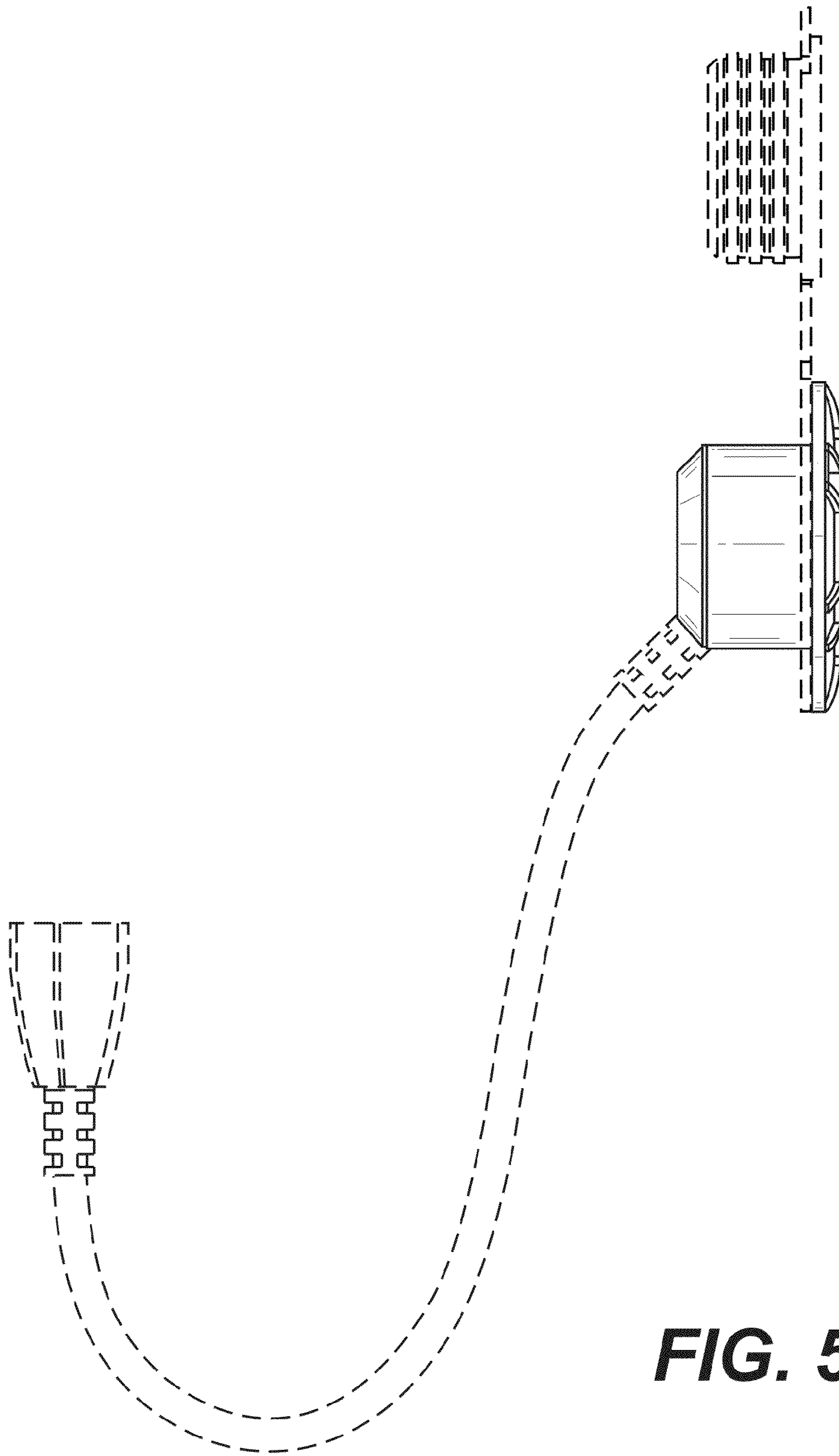


FIG. 5

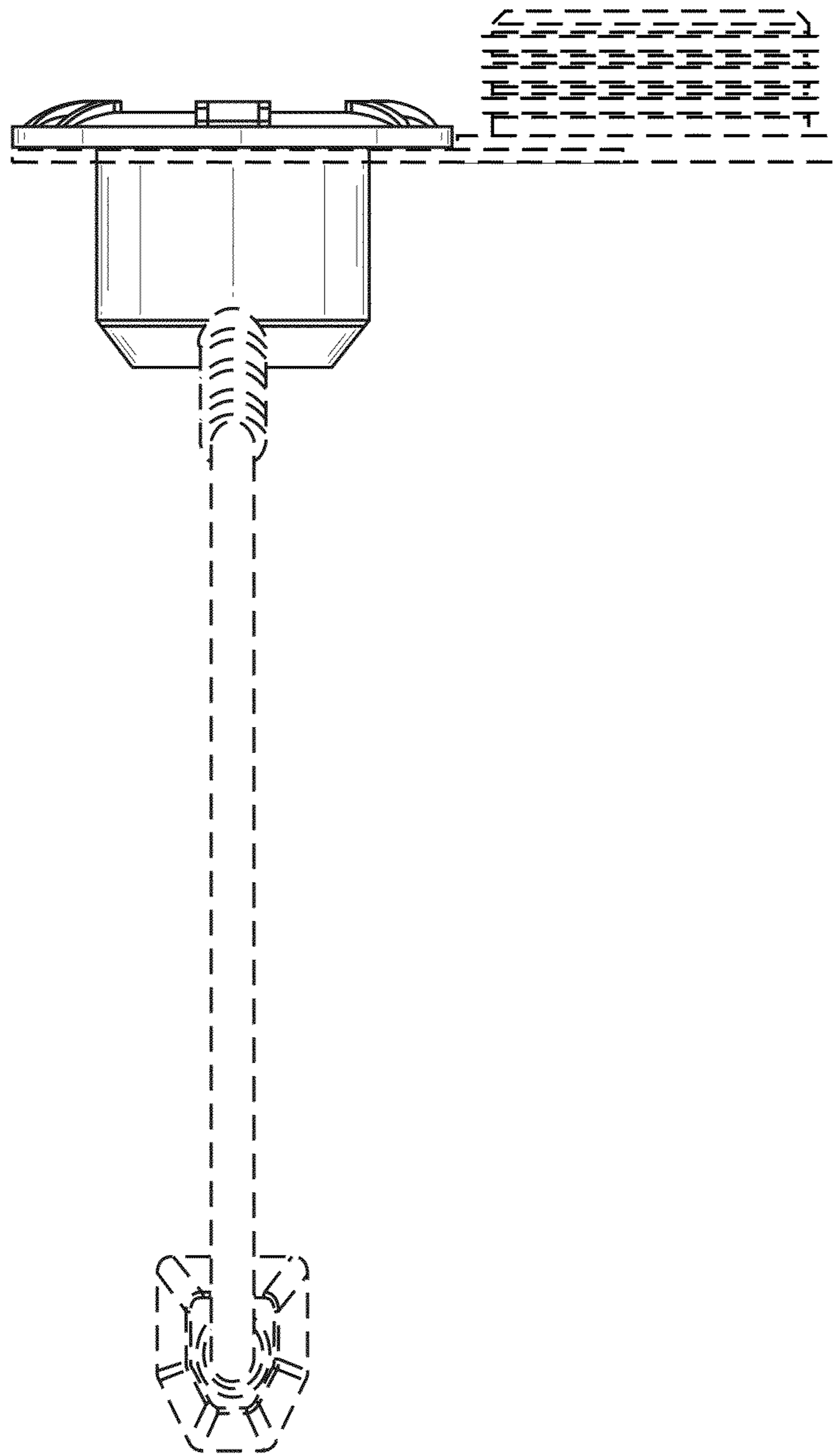


FIG. 6

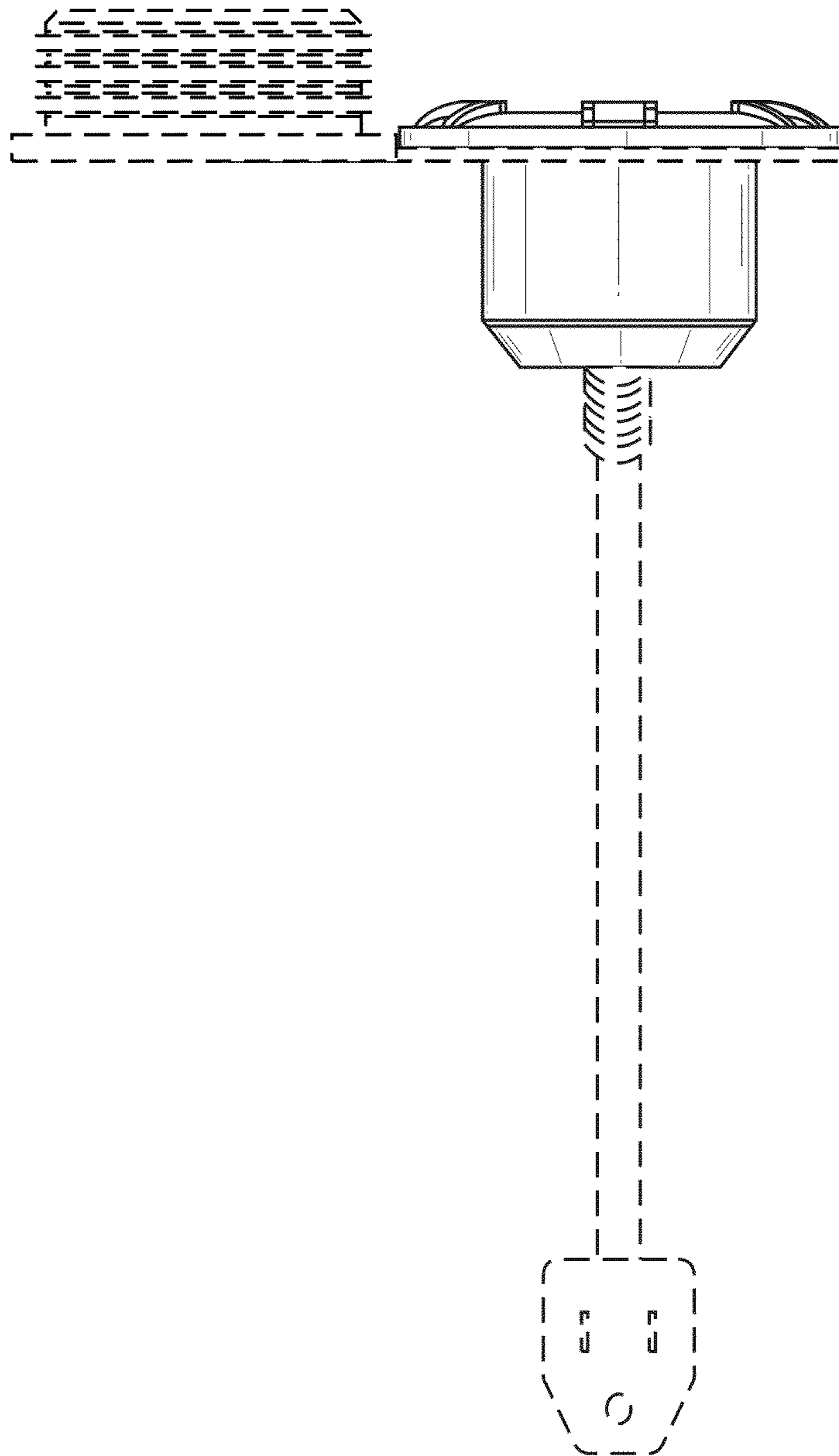


FIG. 7