



US00D684928S

(12) **United States Design Patent**
Kreitzer et al.

(10) **Patent No.:** **US D684,928 S**
(45) **Date of Patent:** **** Jun. 25, 2013**

(54) **KEYED RECEPTACLE FOR ACCESSORY-HOST INTERFACE**

(75) Inventors: **Robert R. Kreitzer**, Tigard, OR (US);
Kevin C. Ayers, Beaverton, OR (US);
Marc A. Gessford, North Plains, OR (US);
J. Steven Lyford, Portland, OR (US);
Jim L. Martin, Lake Oswego, OR (US)

(73) Assignee: **Tektronix, Inc.**, Beaverton, OR (US)

(**) Term: **14 Years**

(21) Appl. No.: **29/416,952**

(22) Filed: **Mar. 28, 2012**

Related U.S. Application Data

(62) Division of application No. 29/369,993, filed on Sep. 16, 2010, now Pat. No. Des. 659,641.

(51) **LOC (9) Cl.** **13-03**

(52) **U.S. Cl.**
USPC **D13/133**

(58) **Field of Classification Search**
USPC D13/133, 147, 154, 184, 199; D14/217,
D14/356, 358, 369, 383, 385, 432, 433, 439,
D14/440, 447, 454; D10/76, 78, 80; 439/180,
439/246, 252, 278, 374, 378, 379, 380, 381,
439/527, 529, 530, 533, 892, 894, 630
See application file for complete search history.

(56) **References Cited**

U.S. PATENT DOCUMENTS

D370,889 S 6/1996 Anthony
D460,371 S 7/2002 Wisley et al.

D514,004 S 1/2006 Wisley
D556,066 S 11/2007 Hoang et al.
D566,046 S 4/2008 Gabel et al.
D566,047 S 4/2008 Gabel et al.
D643,841 S 8/2011 Lyford et al.
D649,970 S 12/2011 Lyford et al.
D649,971 S 12/2011 Lyford et al.
D659,641 S * 5/2012 Kreitzer et al. D13/133

* cited by examiner

Primary Examiner — Daniel Bui

(74) *Attorney, Agent, or Firm* — William K. Bucher;
Thomas F. Lenihan

(57) **CLAIM**

The ornamental design of a keyed receptacle for accessory-host interface, as shown and described.

DESCRIPTION

FIG. 1 is a front perspective view of a first embodiment of a keyed receptacle for accessory-host interface showing our new design;

FIG. 2 is a front elevation view thereof;

FIG. 3 is a front perspective view of a second embodiment of a keyed receptacle for an accessory-host interface showing our new design;

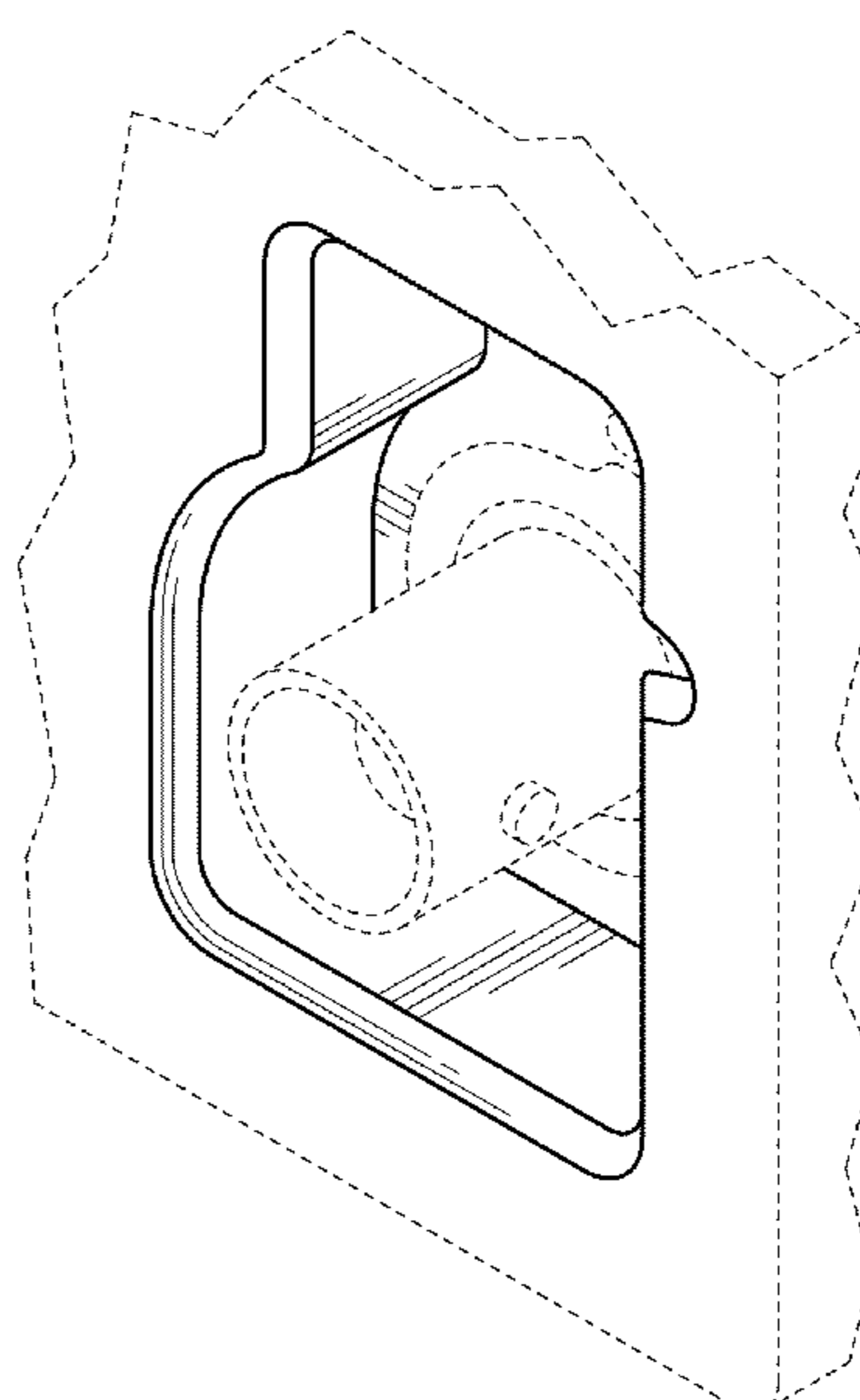
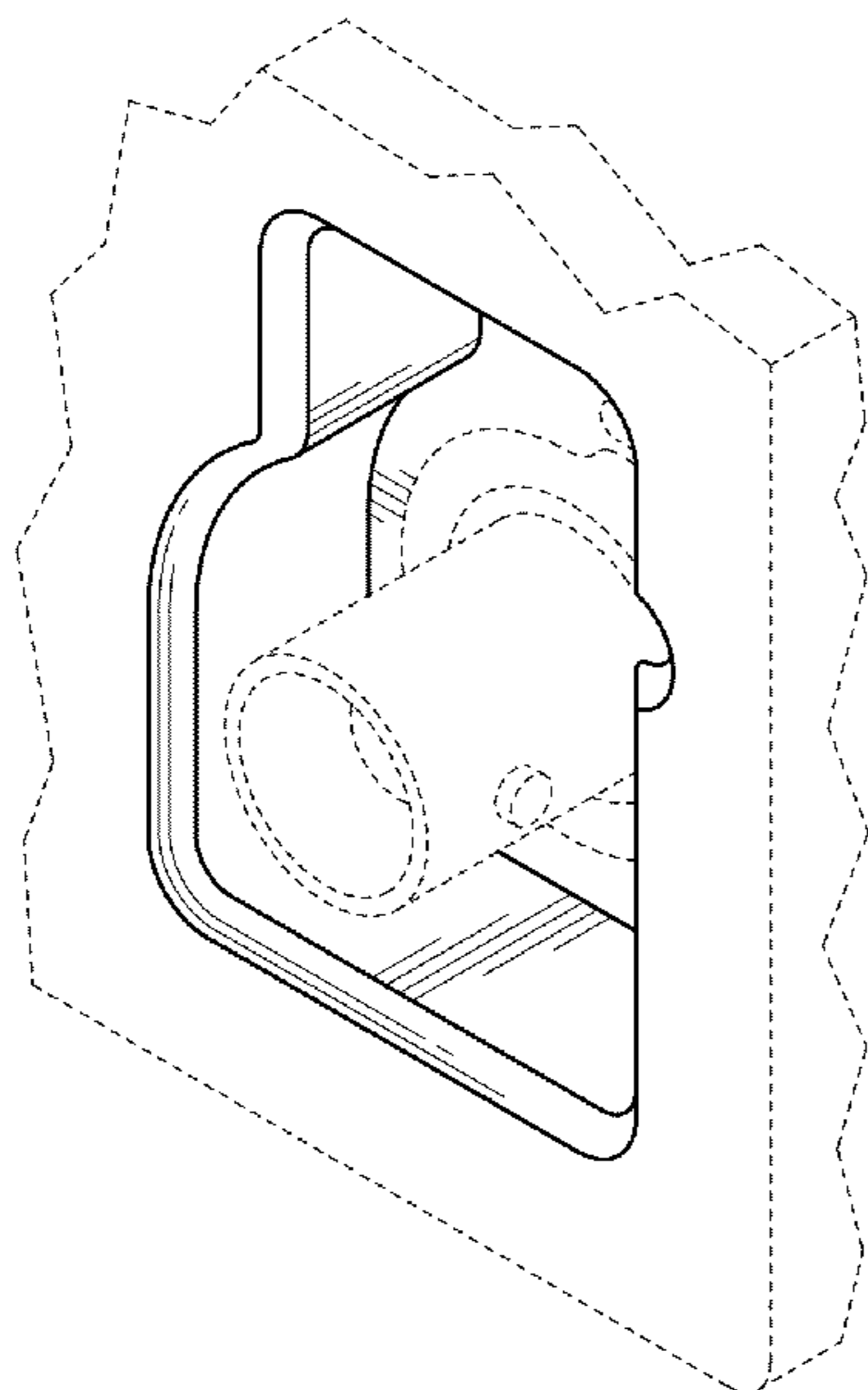
FIG. 4 is a front elevation view thereof;

FIG. 5 is a front perspective view of a third embodiment of a keyed receptacle for accessory-host interface showing our new design; and,

FIG. 6 is a front elevation view thereof.

The broken line portion of the figure drawings is included for the purpose of illustrating environment and forms no part of the claimed design.

1 Claim, 6 Drawing Sheets



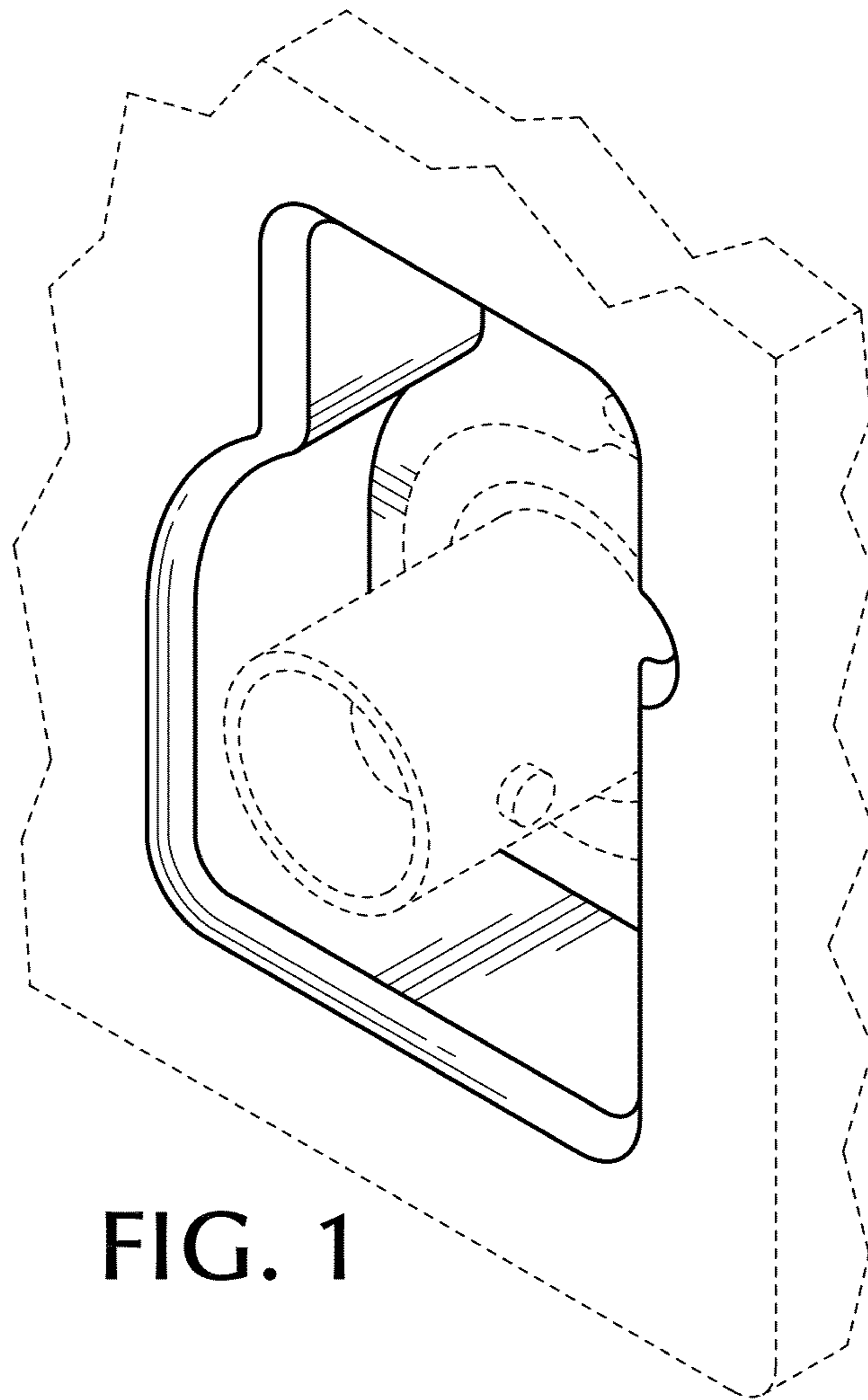


FIG. 1

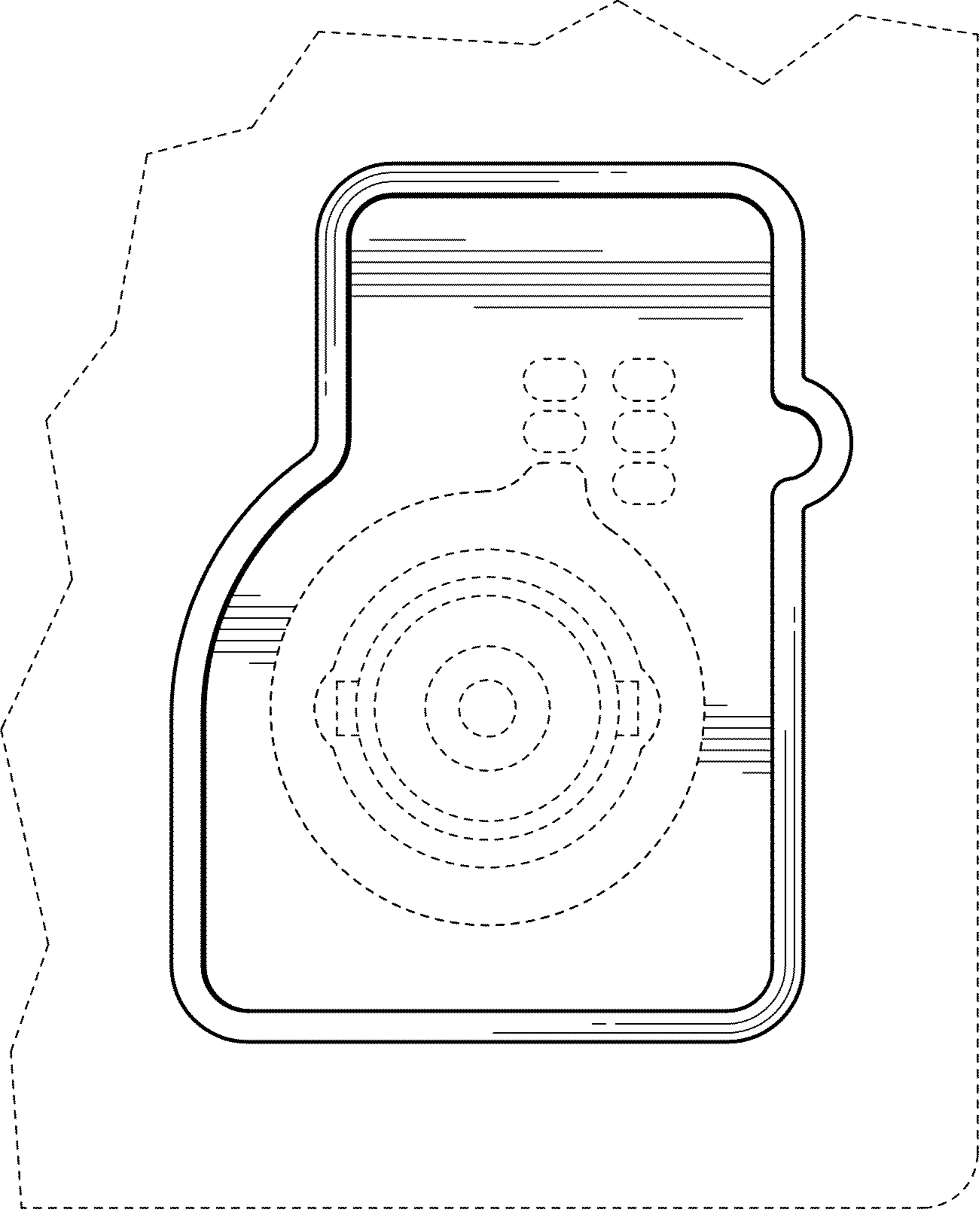


FIG. 2

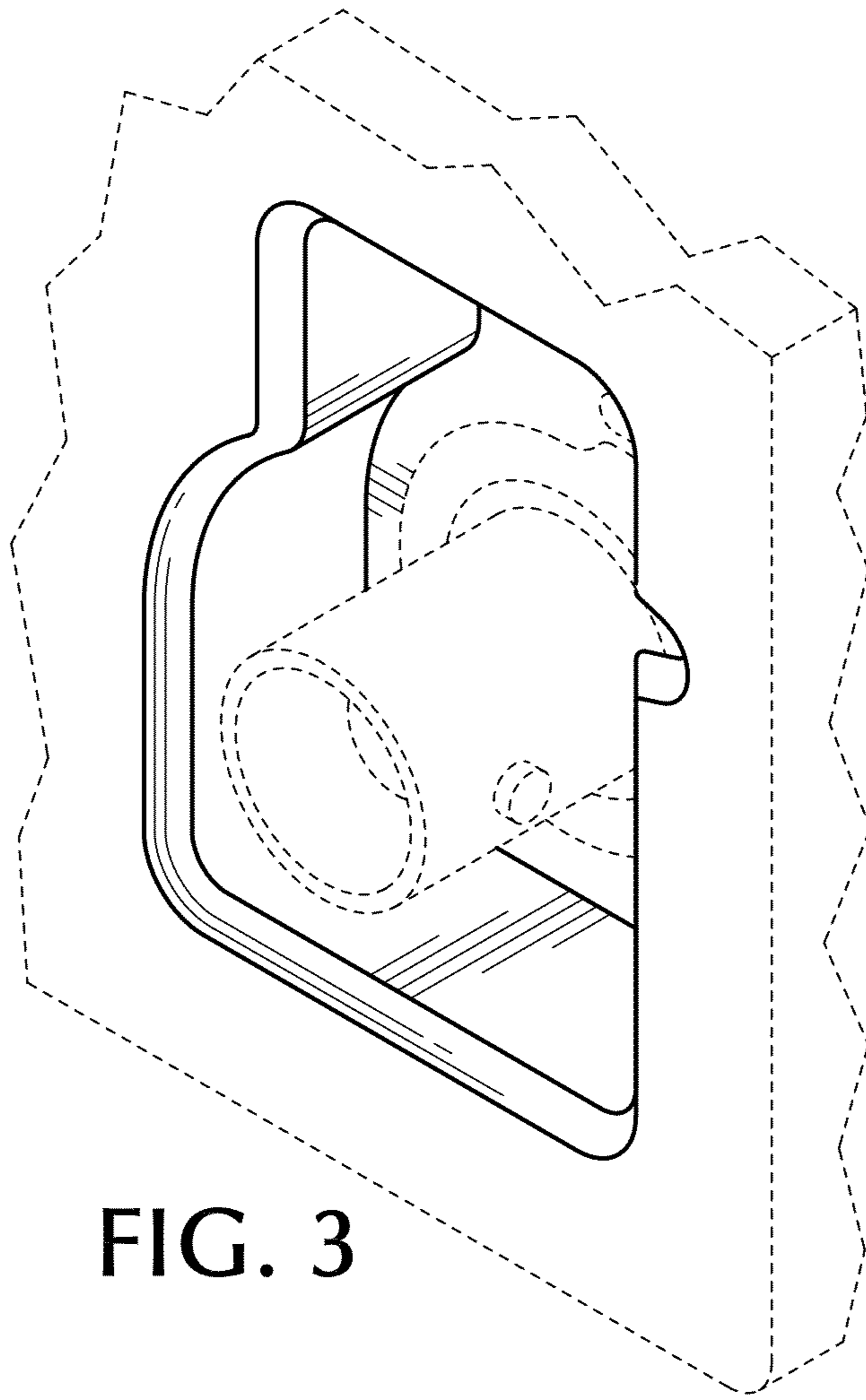


FIG. 3

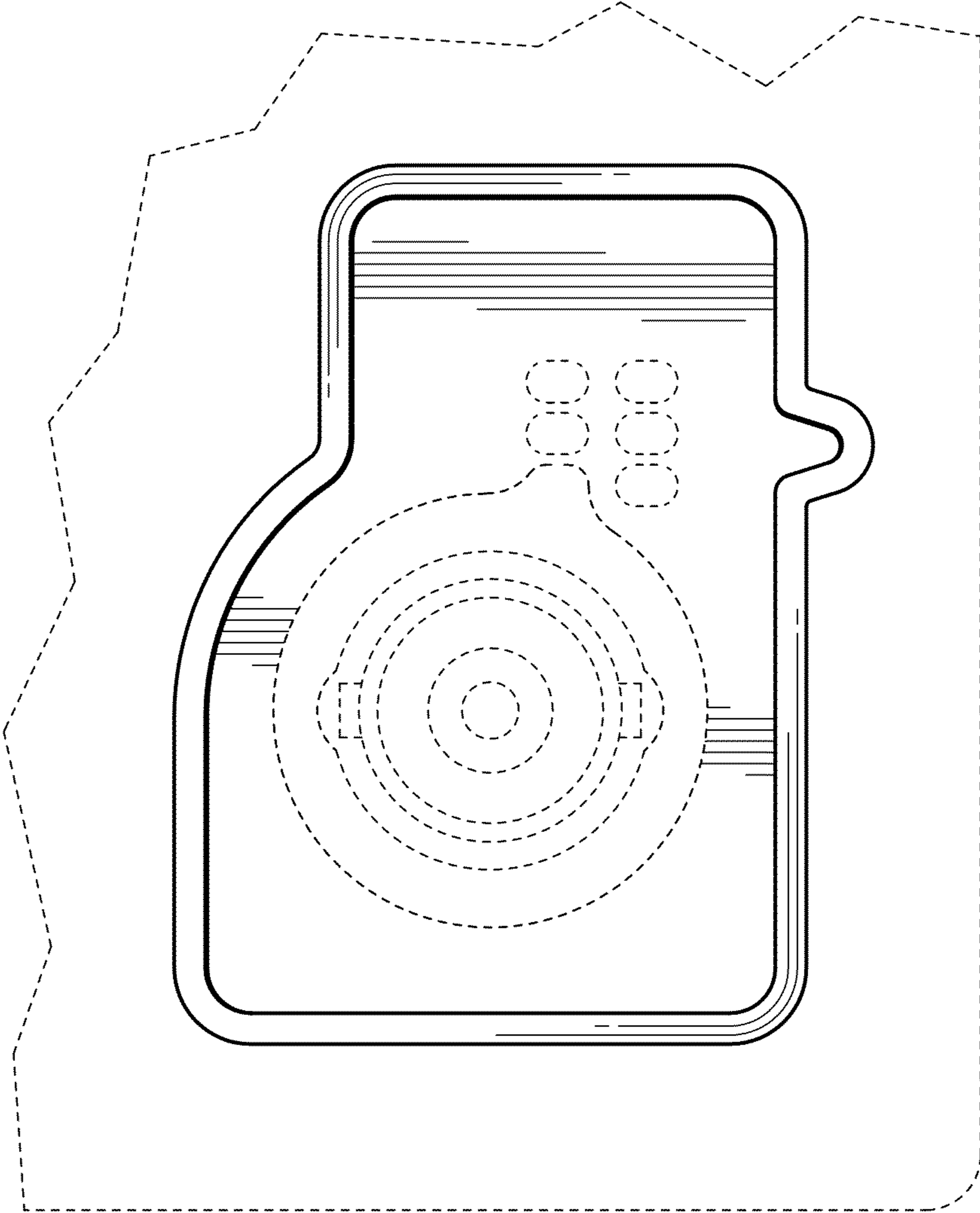


FIG. 4

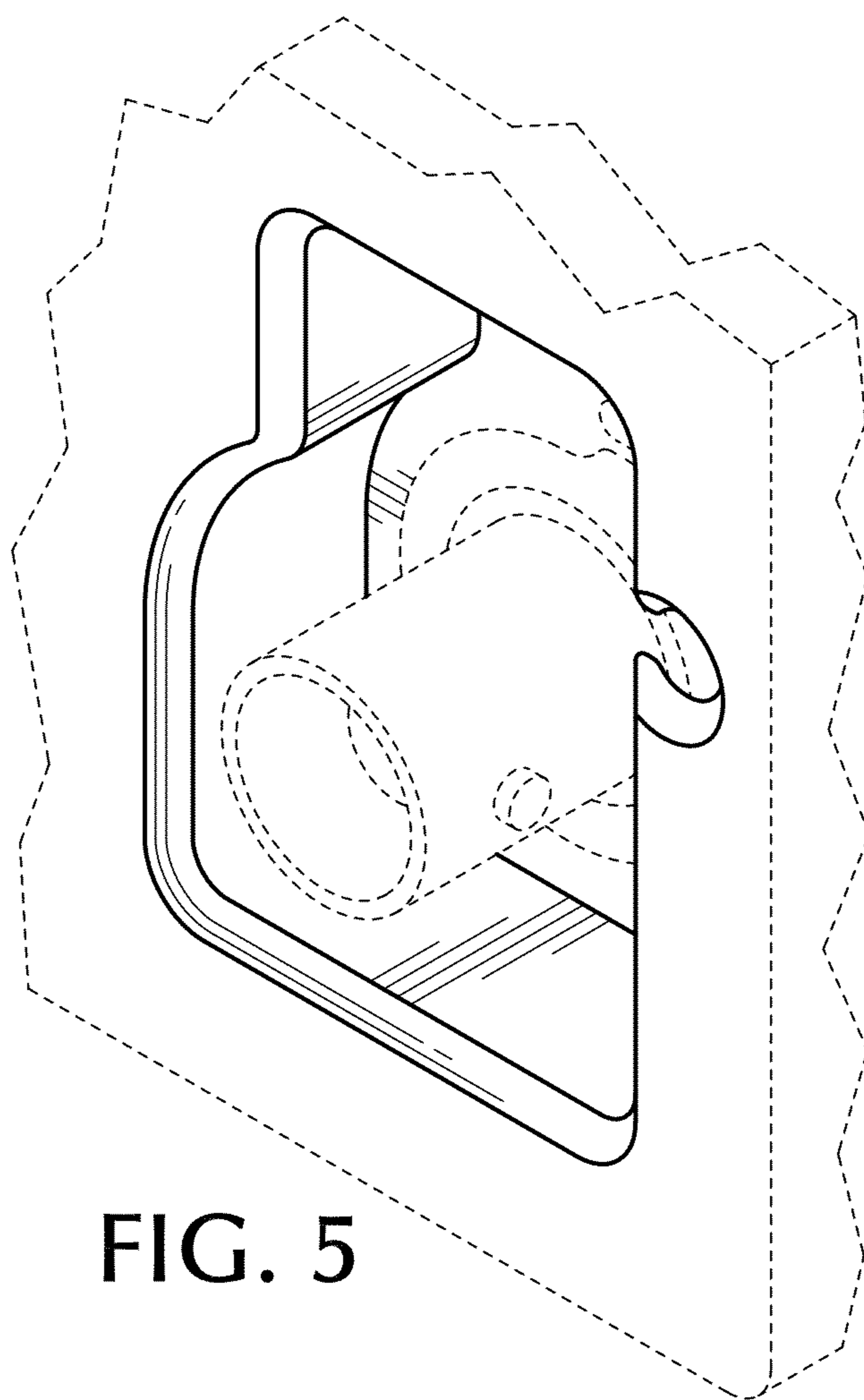


FIG. 5

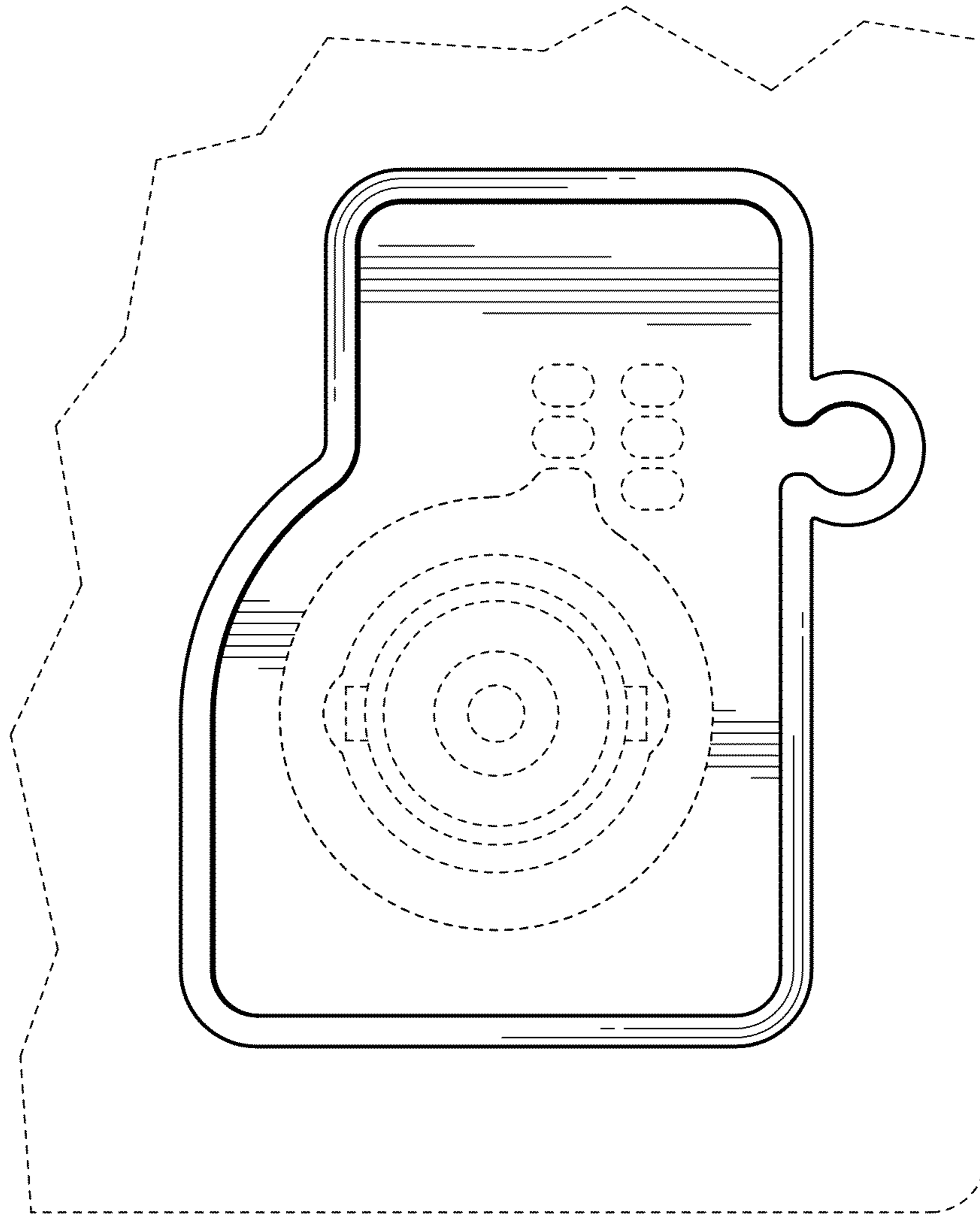


FIG. 6