



US00D684927S

(12) **United States Design Patent**
Sage

(10) **Patent No.:** **US D684,927 S**
(45) **Date of Patent:** **** Jun. 25, 2013**

(54) **CURRENT TRANSDUCER**

(71) Applicant: **LEM Intellectual Property SA,**
Fribourg (CH)
(72) Inventor: **Philippe Sage,** Châtillon-en-Michaille
(FR)
(73) Assignee: **LEM Intellectual Property SA,**
Fribourg (CH)

(**) Term: **14 Years**
(21) Appl. No.: **29/437,372**
(22) Filed: **Nov. 15, 2012**

(30) **Foreign Application Priority Data**

May 16, 2012 (WO) 669612801
(51) **LOC (9) Cl.** **13-02**
(52) **U.S. Cl.**
USPC **D13/110**
(58) **Field of Classification Search**
USPC D13/110, 101, 117, 123, 124, 159,
D13/184, 199; D10/75; 73/767, 771, 779,
73/801, 811; 324/117 H, 117 R, 120, 121 R,
324/127; 361/18, 30, 31, 93.1-93.9; 367/140;
369/13.11-13.13; 381/150; 336/173, 176,
336/178

See application file for complete search history.

(56) **References Cited**

U.S. PATENT DOCUMENTS

D288,314 S * 2/1987 Makinson et al. D13/110
4,794,326 A * 12/1988 Friedl 324/117 R
5,103,163 A * 4/1992 McLyman 324/117 H
5,587,651 A * 12/1996 Berkcan et al. 324/127
D468,683 S * 1/2003 Maurer D13/101
6,727,683 B2 * 4/2004 Goto et al. 324/117 H
D534,120 S * 12/2006 Ricci et al. D13/110

* cited by examiner

Primary Examiner — Derrick Holland

(74) *Attorney, Agent, or Firm* — Sterne, Kessler, Goldstein
& Fox, P.L.L.C.

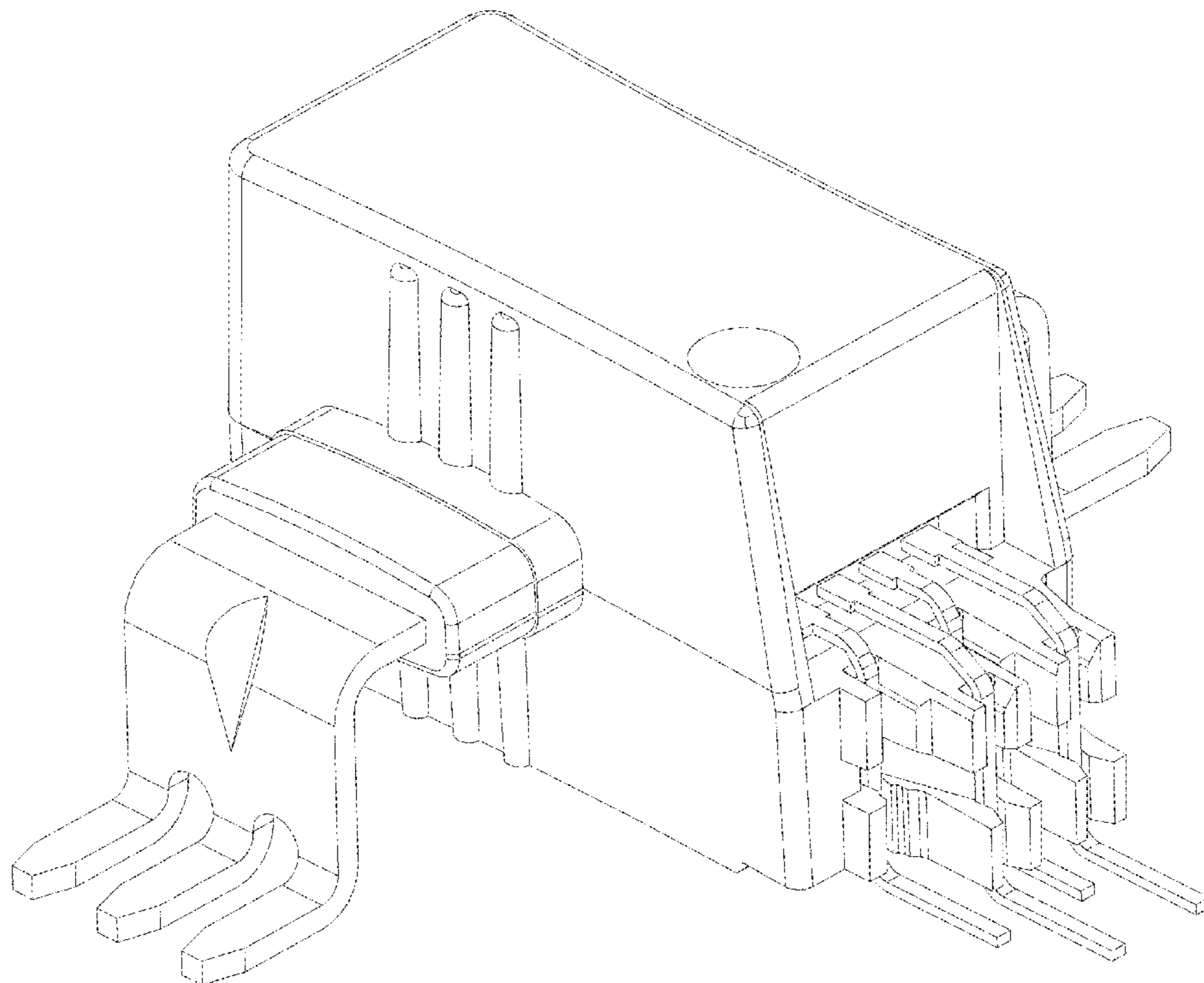
(57) **CLAIM**

The ornamental design for a current transducer, as shown and
described.

DESCRIPTION

FIG. 1 is a top perspective view thereof;
FIG. 2 is a bottom perspective view of a current transducer
showing my new design;
FIG. 3 is a front view thereof, the rear view being a mirror
image thereof;
FIG. 4 is a bottom plan view thereof;
FIG. 5 is a top plan view thereof;
FIG. 6 is a left side view thereof; and,
FIG. 7 is a right side view thereof.
The shade lines in the Figures show contour, and not surface
ornamentation.

1 Claim, 7 Drawing Sheets



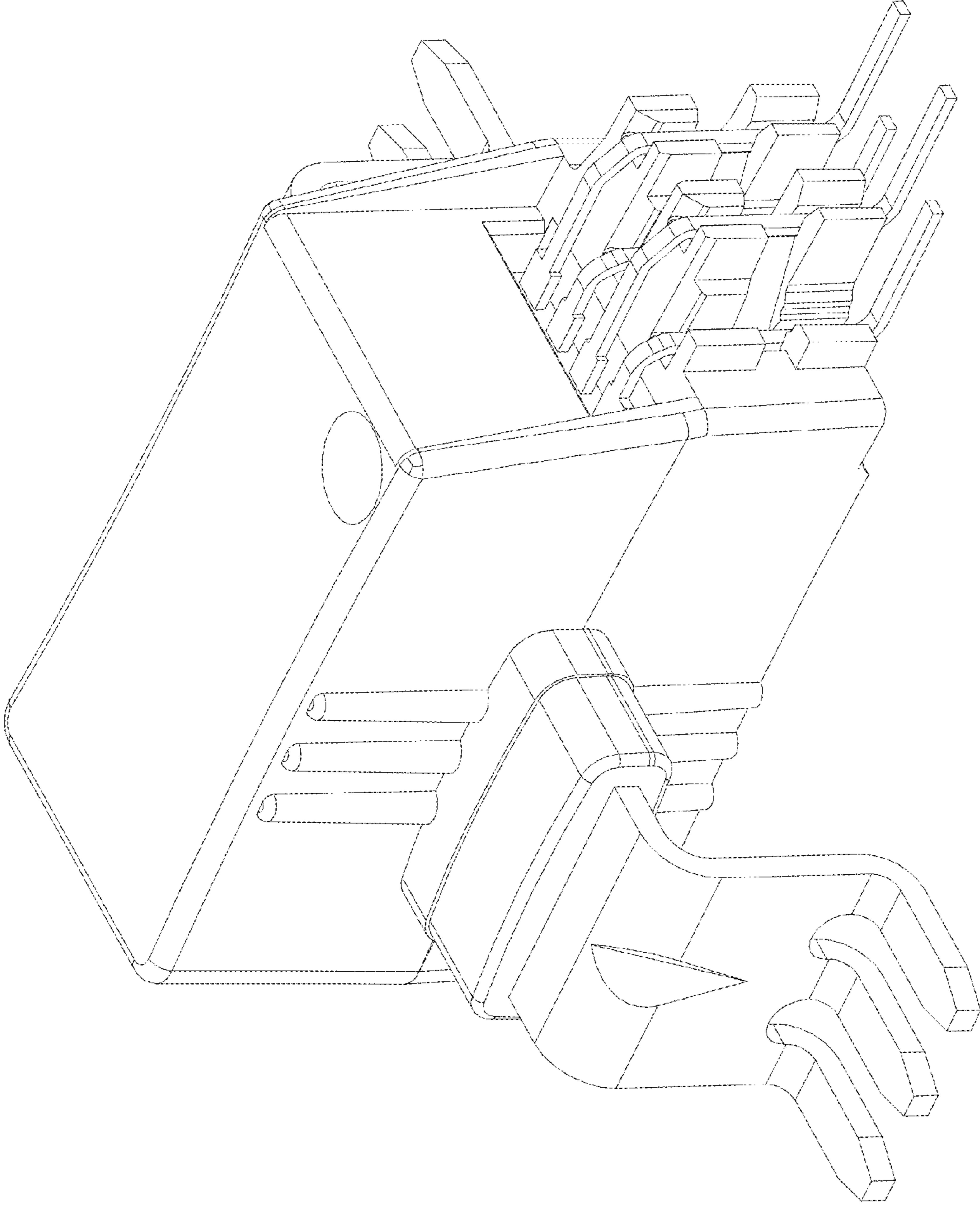


FIG. 1

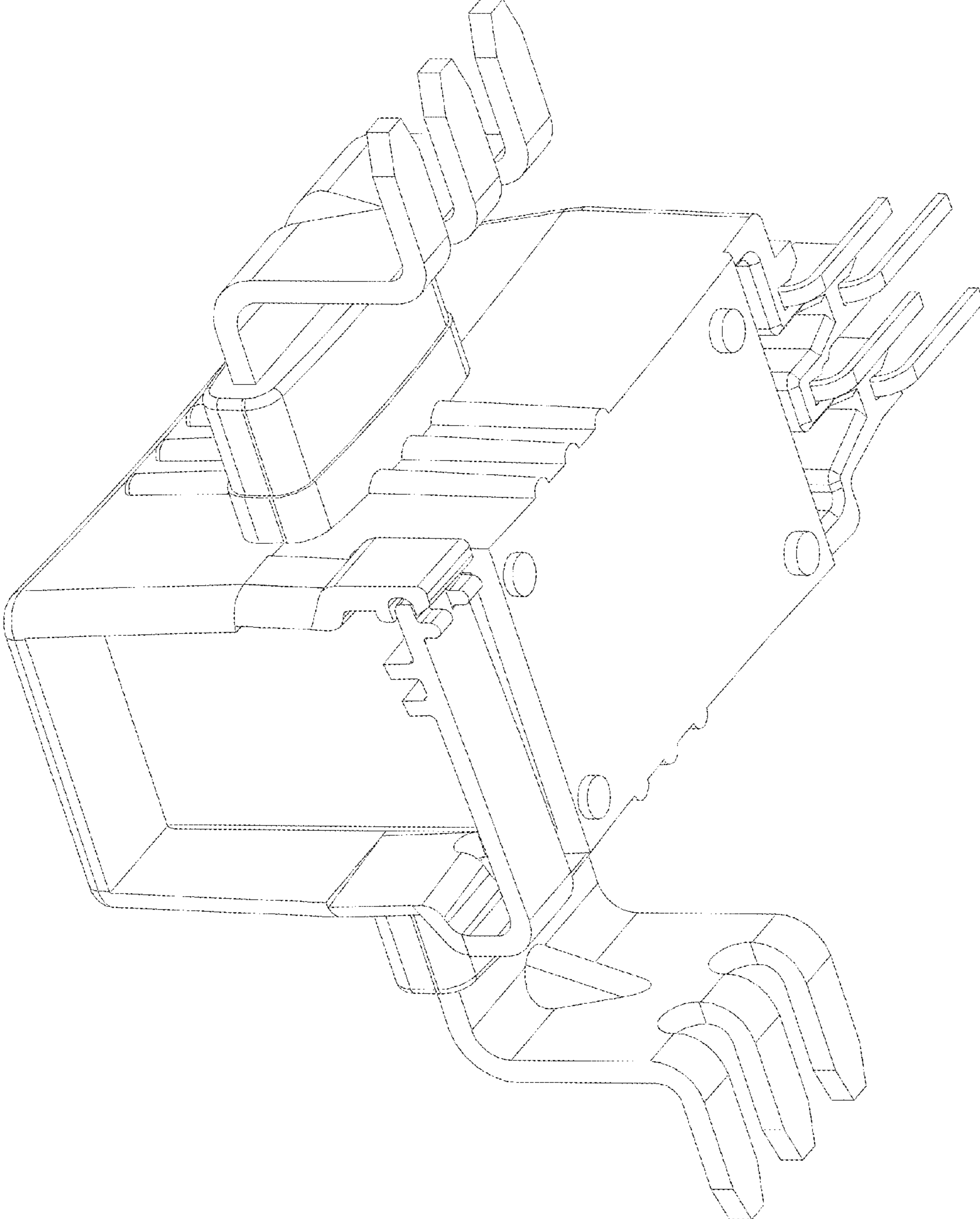


FIG. 2

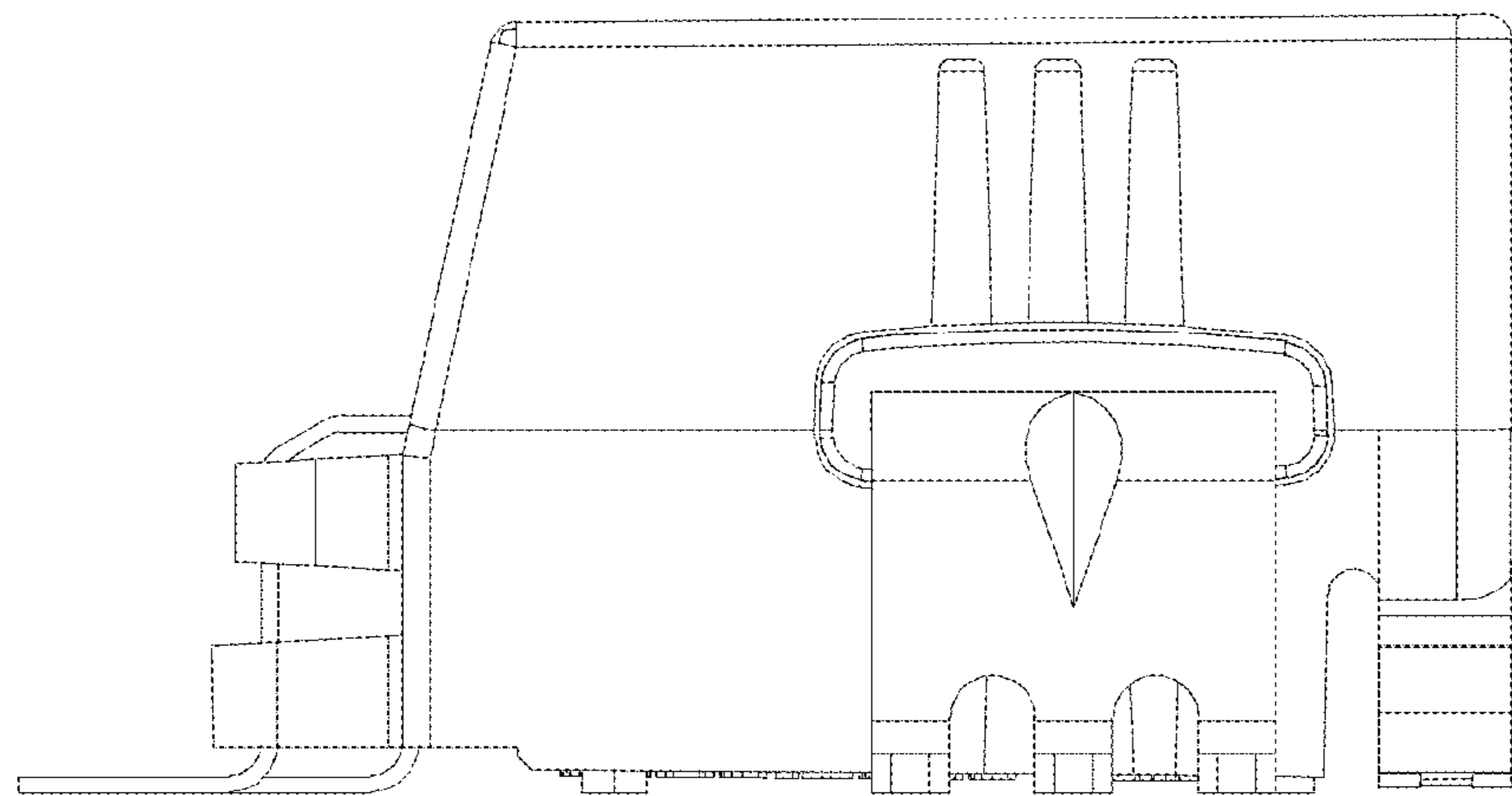


FIG. 3

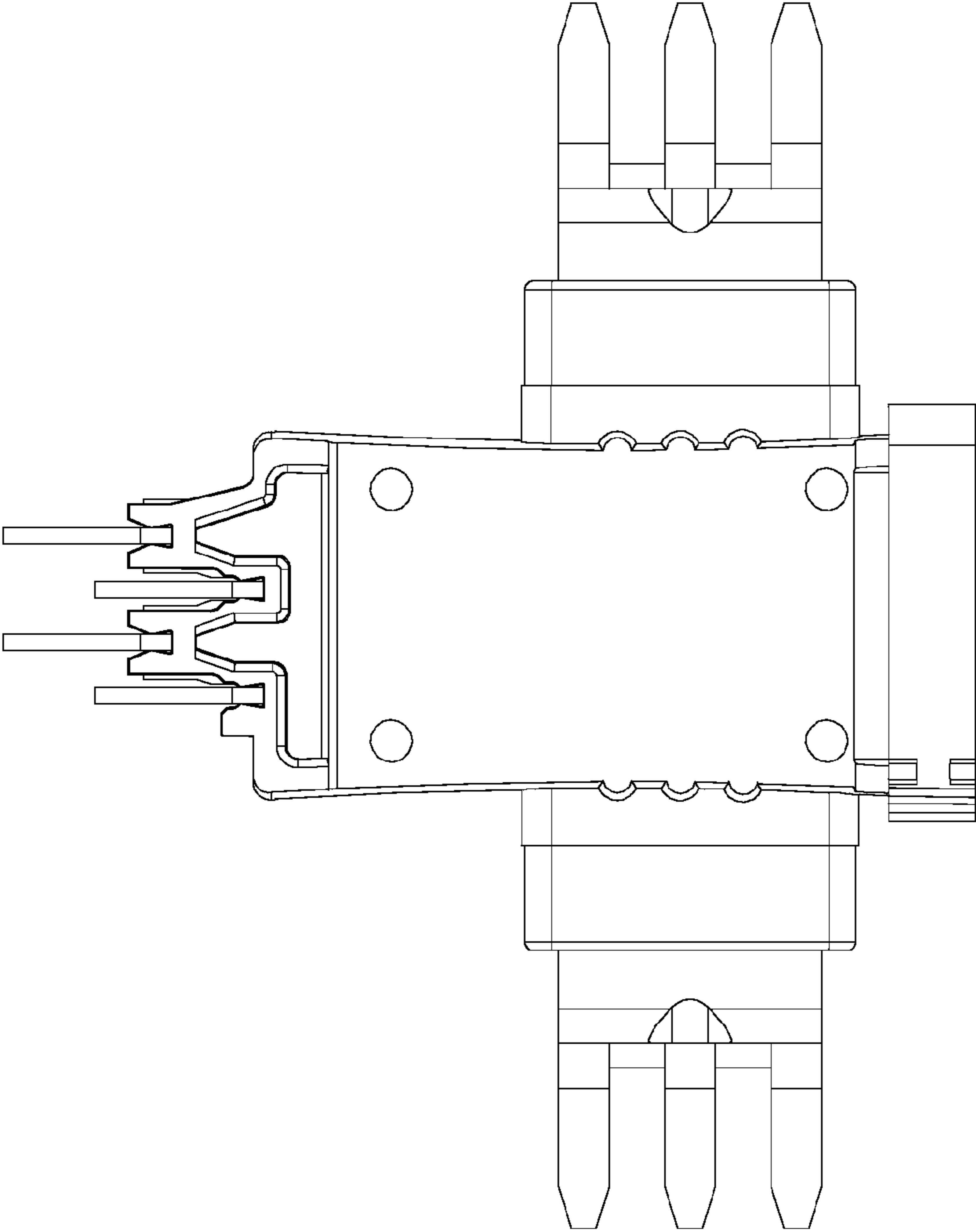


FIG. 4

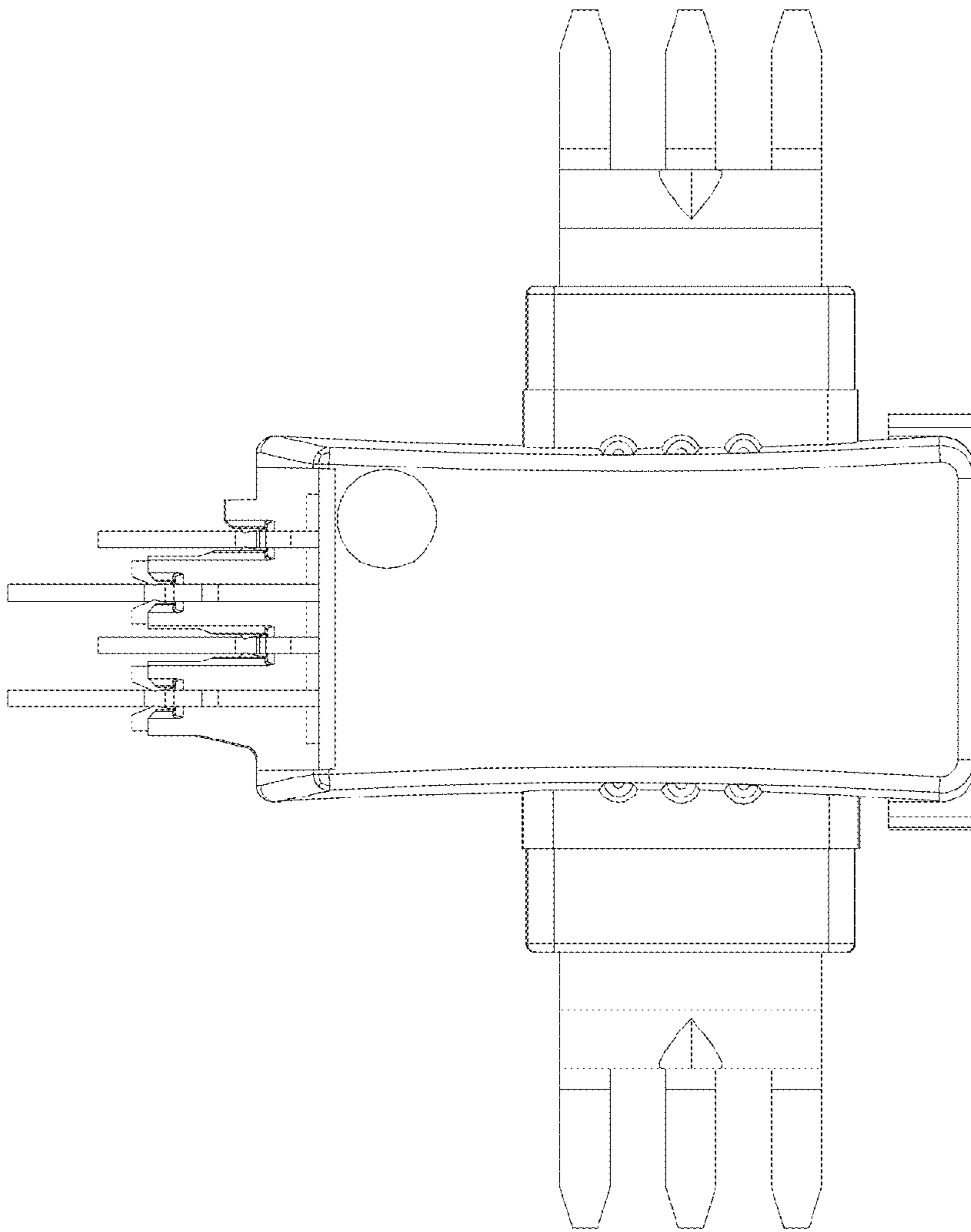


FIG. 5

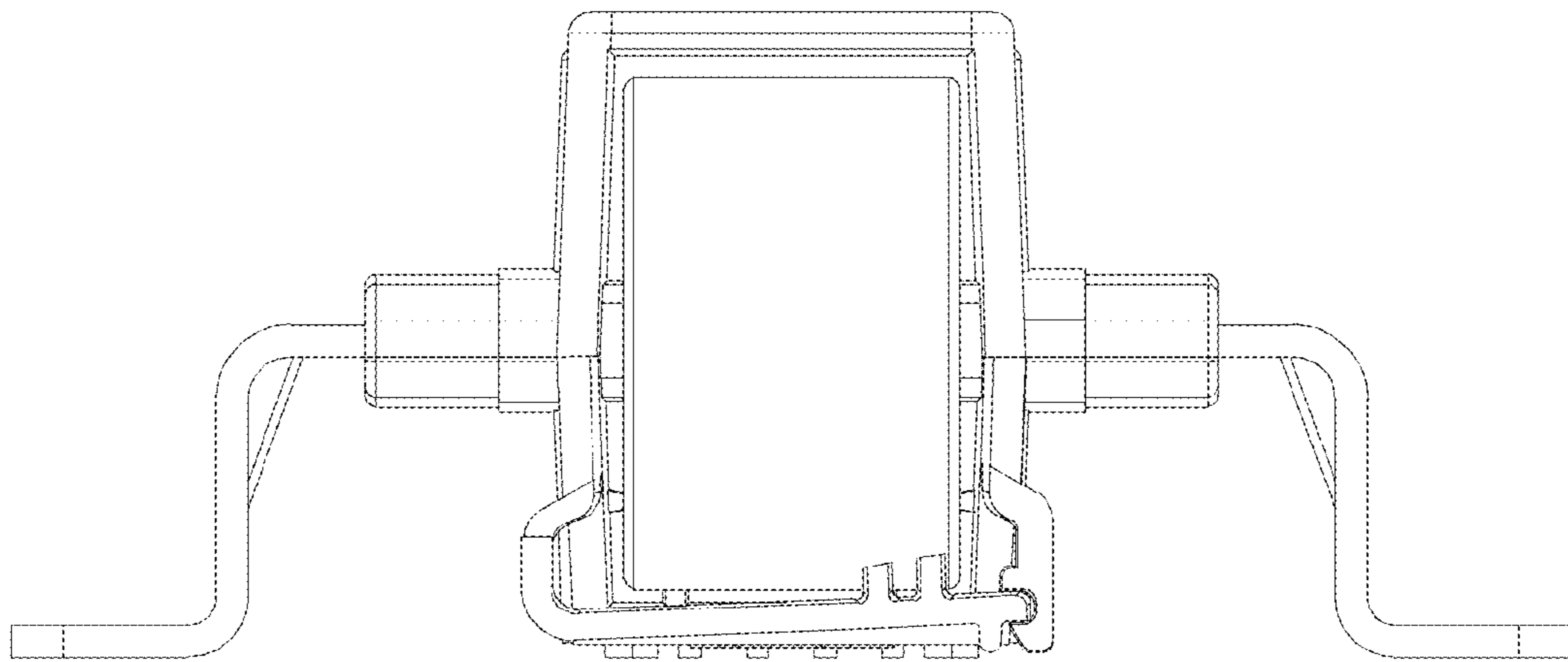


FIG. 6

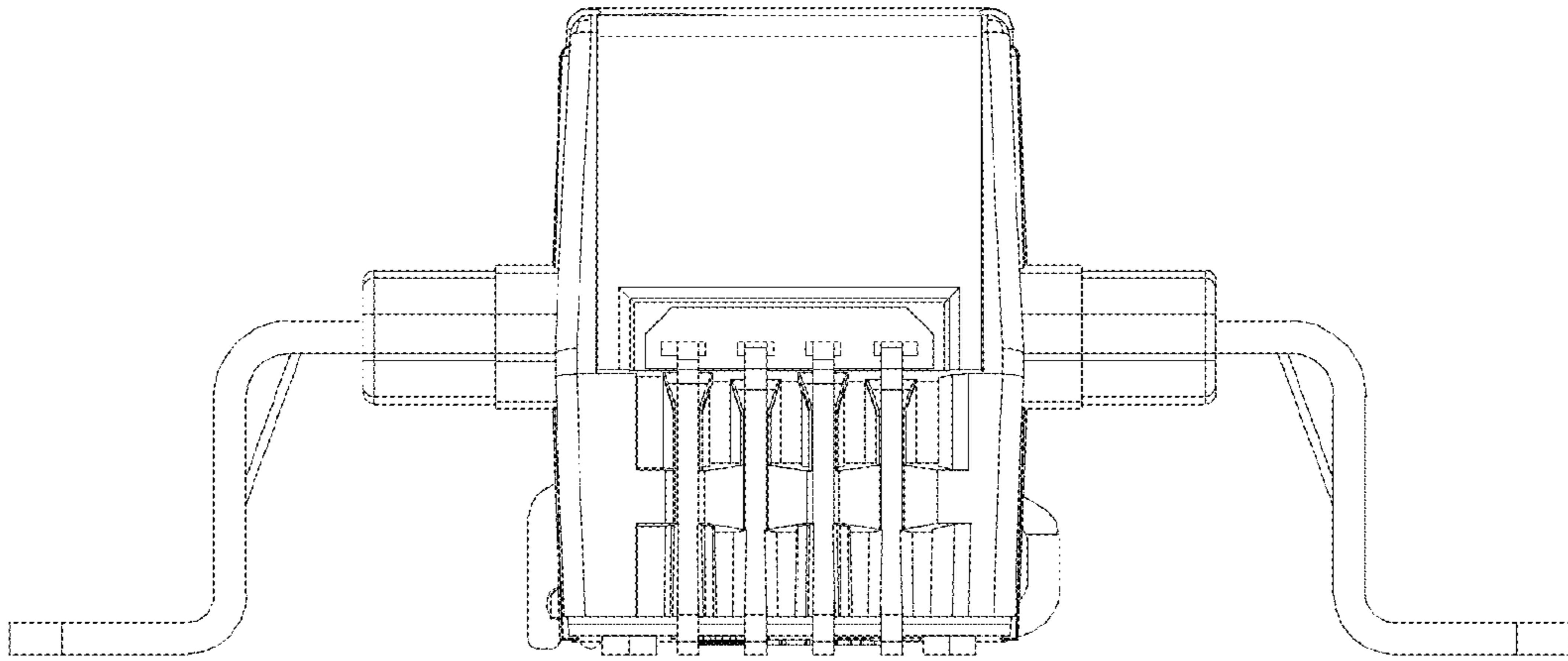


FIG. 7