



US00D684924S

(12) **United States Design Patent**  
**Herbst**

(10) **Patent No.:** **US D684,924 S**  
(45) **Date of Patent:** **\*\* Jun. 25, 2013**

(54) **ROUNDED BATTERY BOX FOR CLIP FAN**

(71) Applicant: **Scot Herbst**, Santa Cruz, CA (US)

(72) Inventor: **Scot Herbst**, Santa Cruz, CA (US)

(\*\*) Term: **14 Years**

(21) Appl. No.: **29/442,077**

(22) Filed: **Dec. 3, 2012**

(51) **LOC (9) Cl.** ..... **13-02**

(52) **U.S. Cl.**  
USPC ..... **D13/103**

(58) **Field of Classification Search**  
USPC ..... D13/102–106, 110, 118–121, 184,  
D13/199; 429/96–100, 163, 176; D8/394–396  
See application file for complete search history.

(56) **References Cited**

**U.S. PATENT DOCUMENTS**

D438,452 S *	3/2001	Tsai	.....	D8/395
D568,240 S *	5/2008	Haydvoegel	.....	D13/103
D574,226 S *	8/2008	Wolff	.....	D8/395
D580,349 S *	11/2008	Haydvoegel	.....	D13/103
D600,637 S *	9/2009	Fowler	.....	D13/102
D607,715 S *	1/2010	Chiu	.....	D8/395
D607,716 S *	1/2010	Chiu	.....	D8/395
D643,364 S *	8/2011	Gustaveson	.....	D13/102
D667,724 S *	9/2012	Mangano	.....	D8/395

\* cited by examiner

*Primary Examiner* — Rosemary K Tarcza

(74) *Attorney, Agent, or Firm* — Knechtel, Demeur & Samlan

(57) **CLAIM**

We claim the ornamental design for a rounded battery box for clip fan, as shown and described.

**DESCRIPTION**

FIG. 1 is a rear perspective view of the rounded battery box for clip fan;

FIG. 2 is a front perspective view of the rounded battery box for clip fan;

FIG. 3 is a front elevational view of the rounded battery box for clip fan;

FIG. 4 is a rear elevational view of the rounded battery box for clip fan;

FIG. 5 is a side elevational view of the rounded battery box for clip fan;

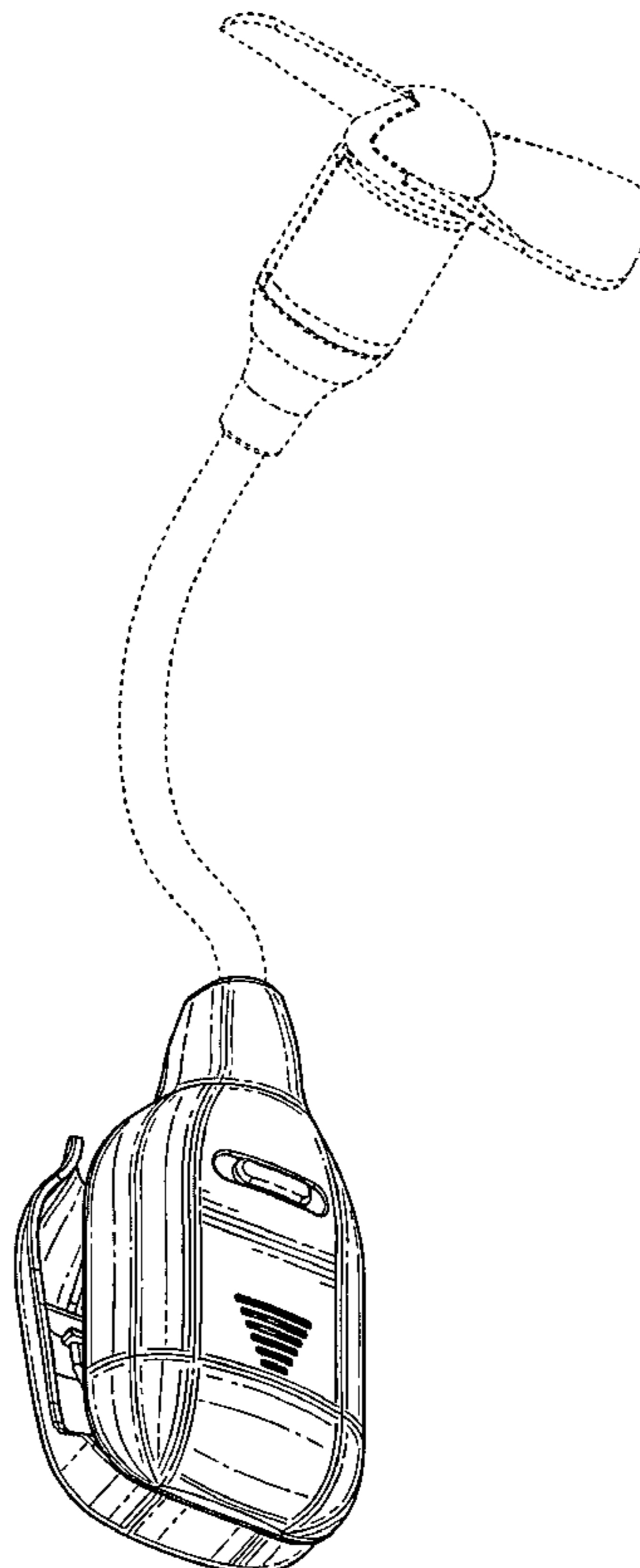
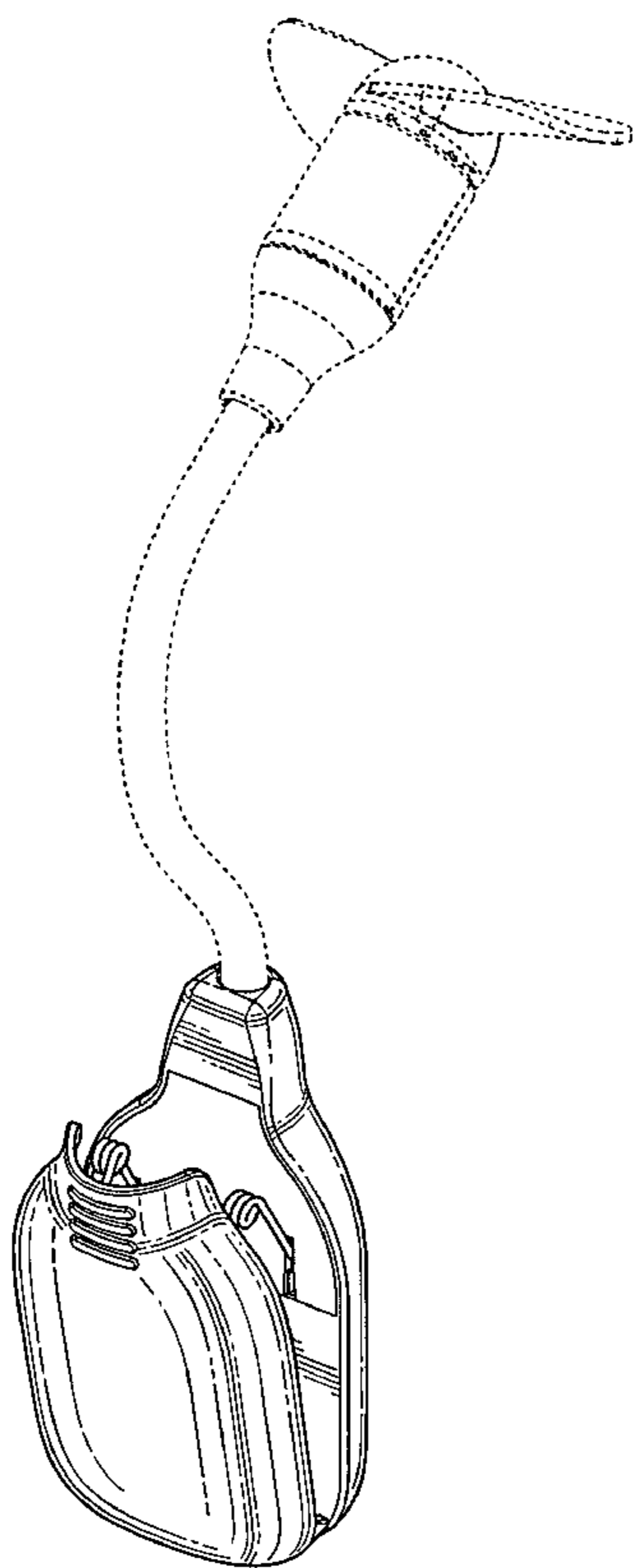
FIG. 6 is a side elevational view of the opposed side of the rounded battery box for clip fan;

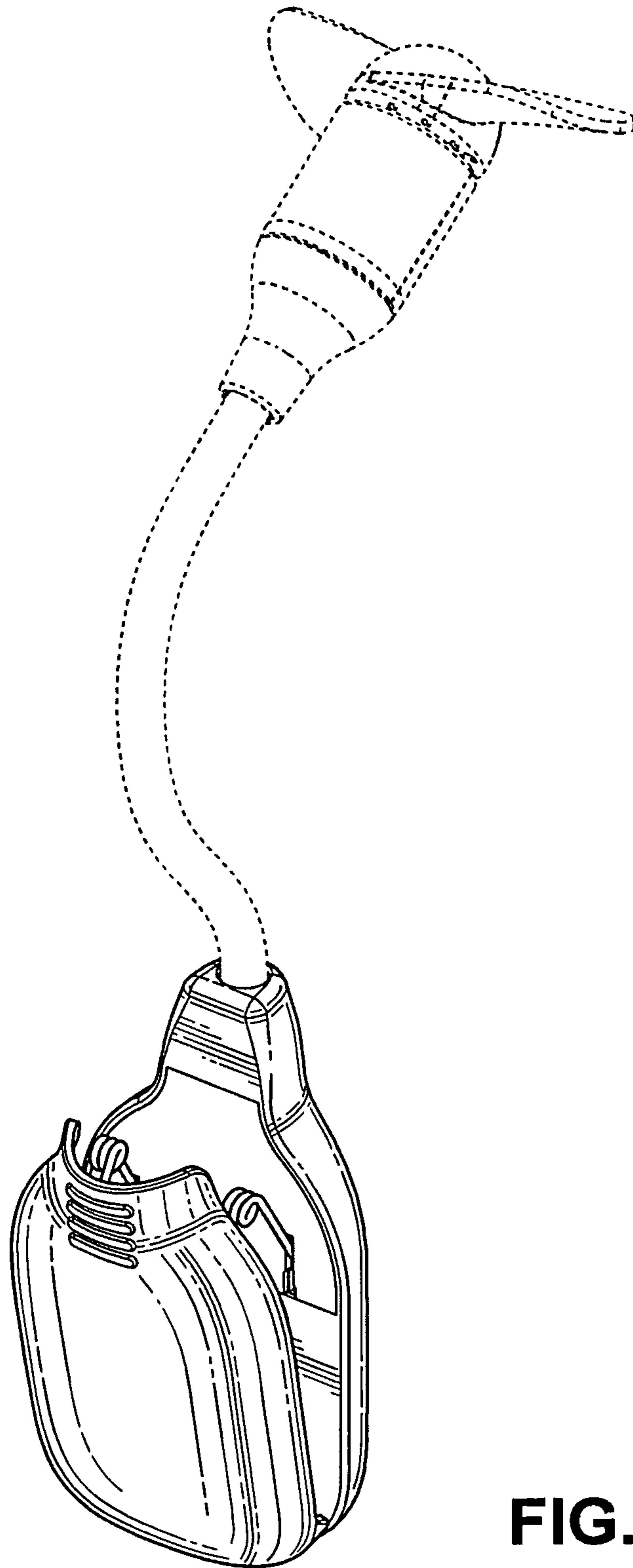
FIG. 7 is a top elevational view of the rounded battery box for clip fan; and,

FIG. 8 is a bottom elevational view of the rounded battery box for clip fan.

The broken lines shown in the drawings are included for the purpose of illustrating environmental structure and form no part of the claimed design.

**1 Claim, 7 Drawing Sheets**





**FIG. 1**

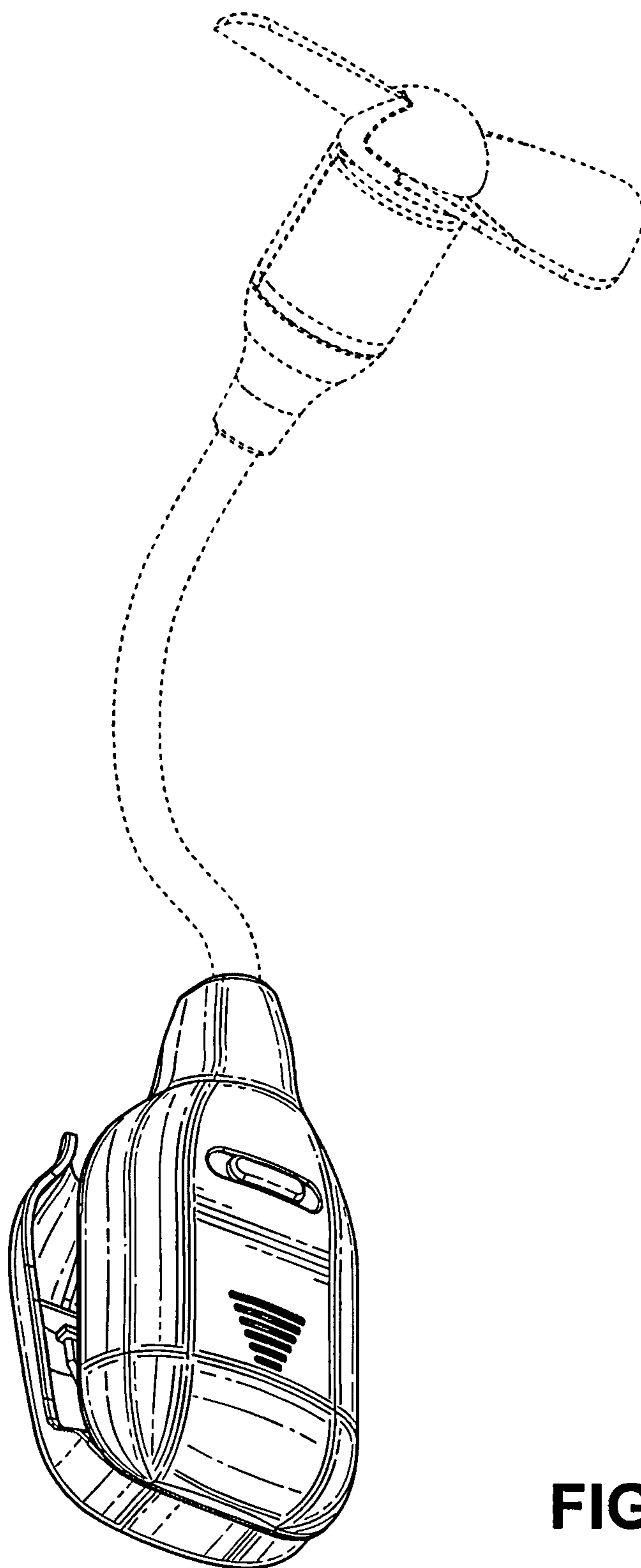


FIG. 2

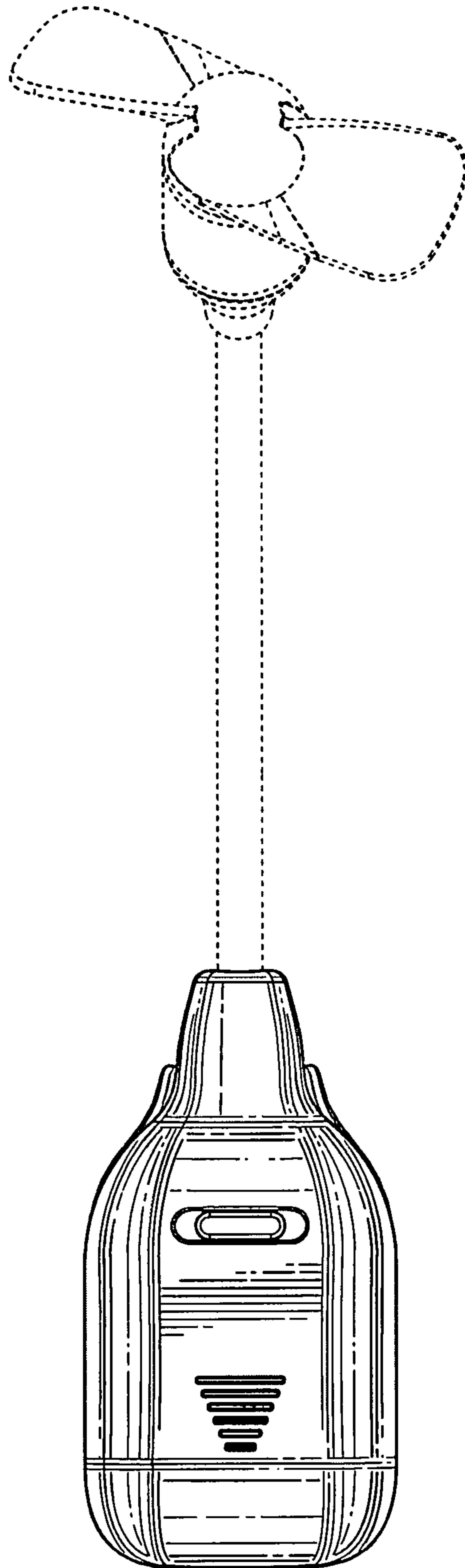
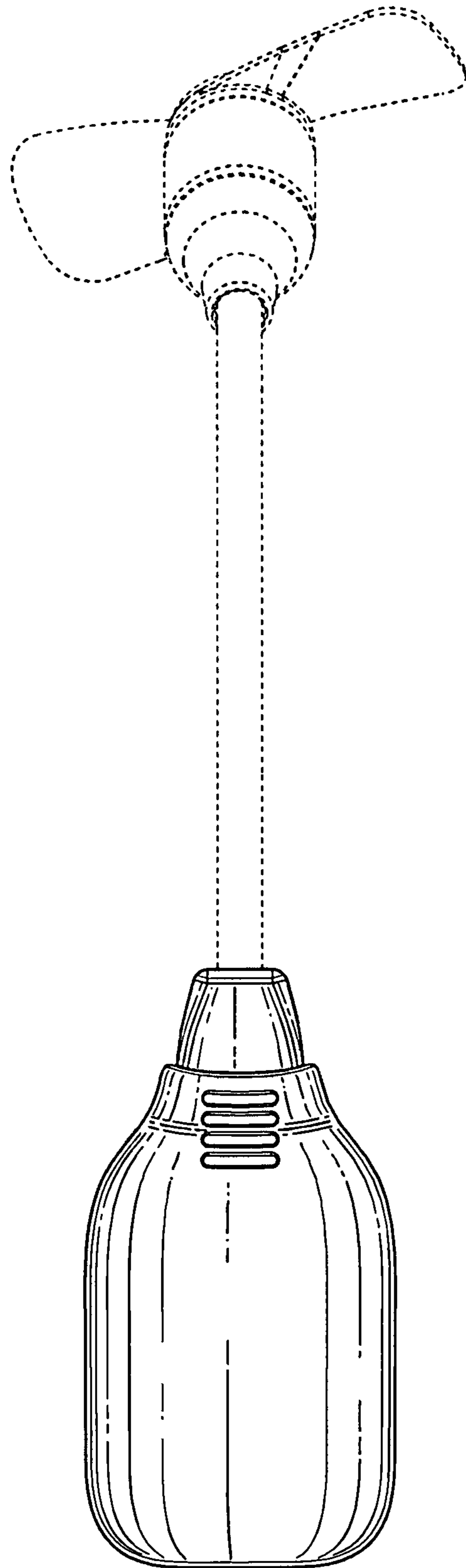
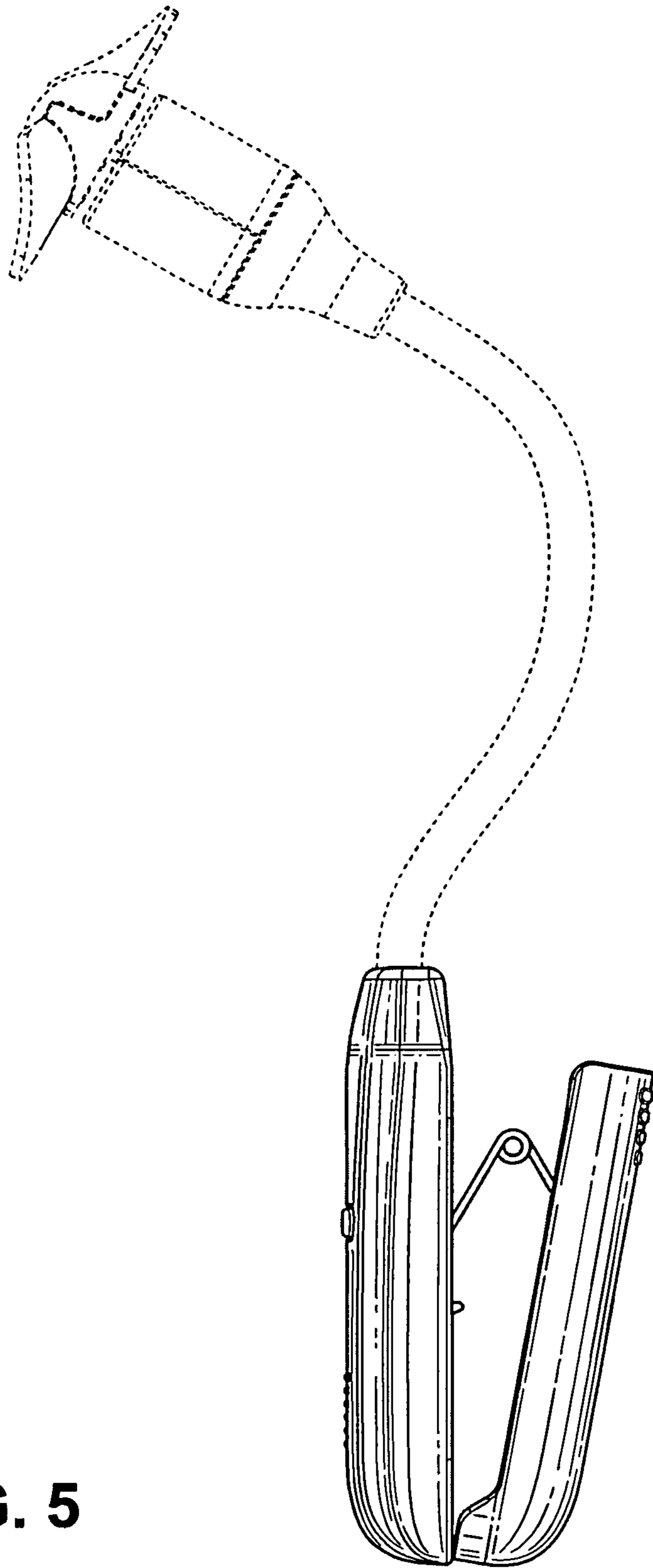


FIG. 3



**FIG. 4**



**FIG. 5**

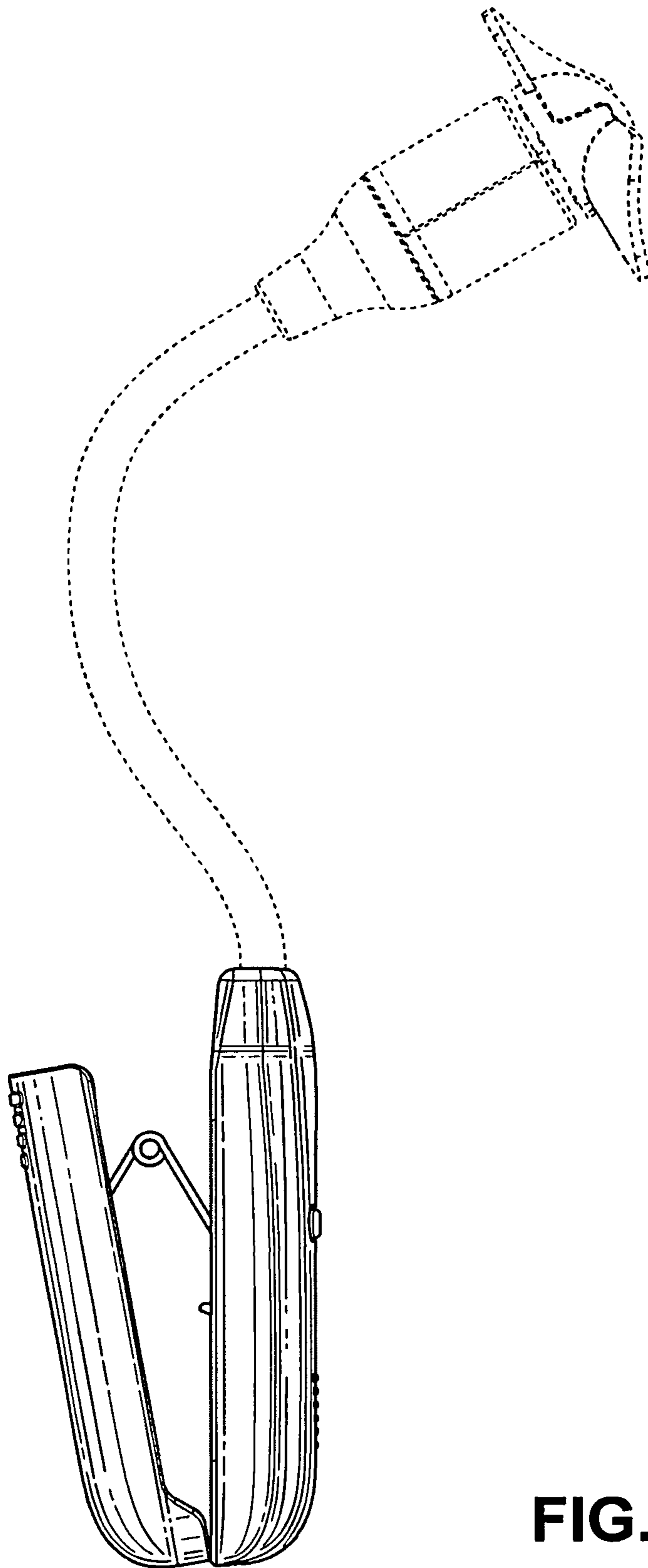
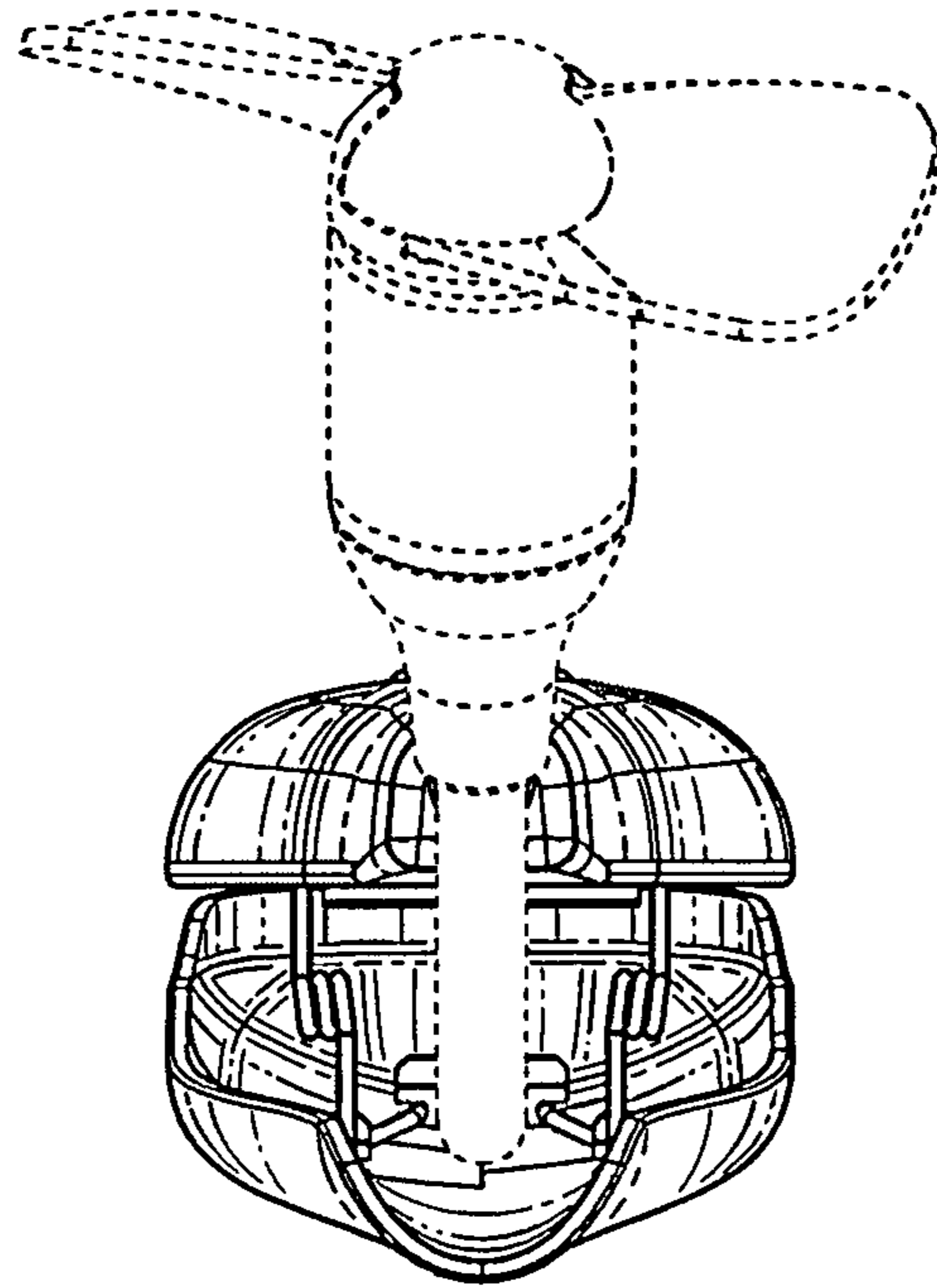
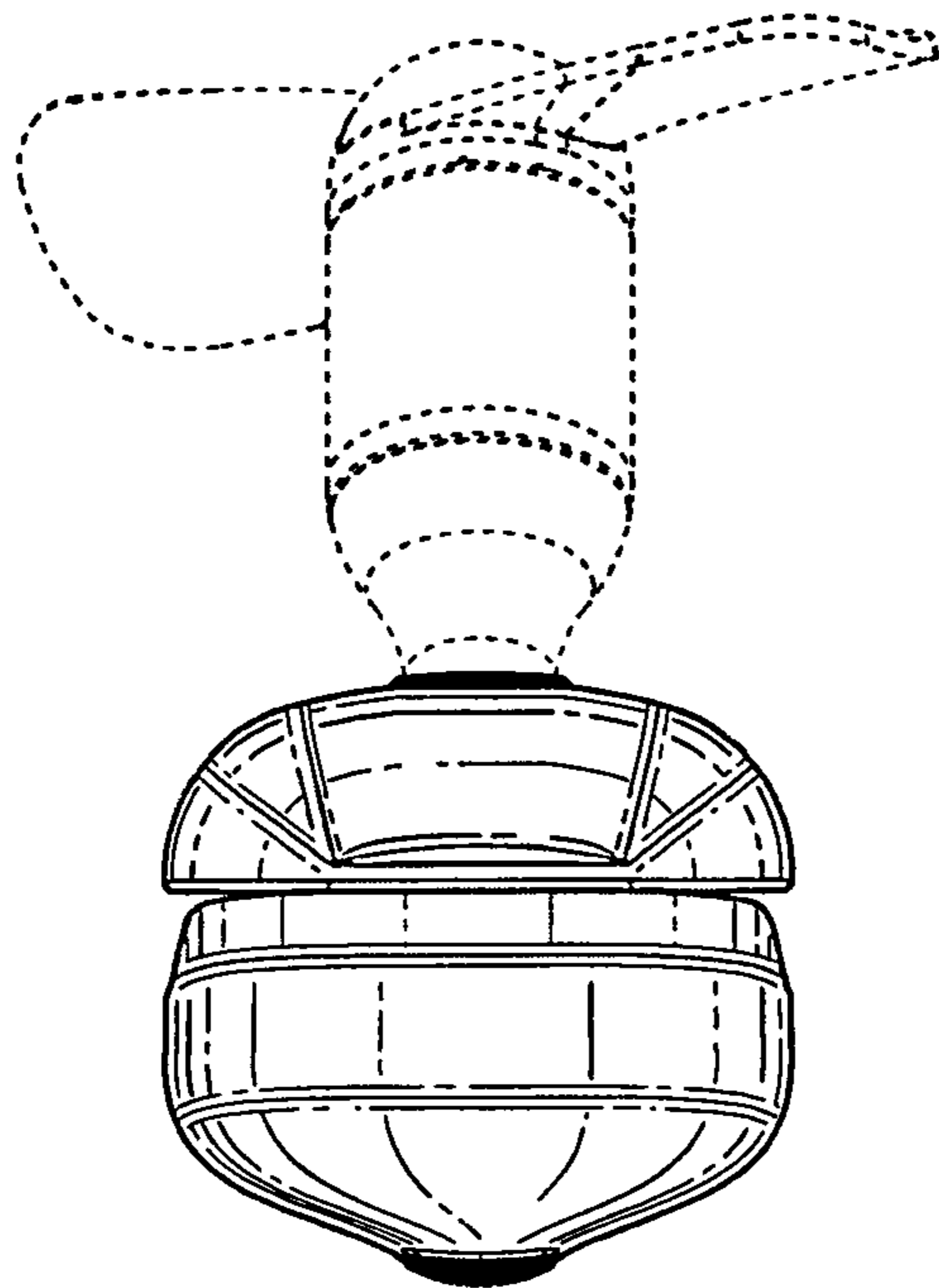


FIG. 6



**FIG. 7**



**FIG. 8**