



US00D684923S

(12) **United States Design Patent**
Sareen

(10) **Patent No.:** **US D684,923 S**

(45) **Date of Patent:** **** Jun. 25, 2013**

(54) **TIRE TREAD**

(75) Inventor: **Gajendra Singh Sareen**, Singapore
(SG)

(73) Assignee: **Omni United (S) Pte Ltd**, Singapore
(SG)

(**) Term: **14 Years**

(21) Appl. No.: **29/395,930**

(22) Filed: **Apr. 24, 2012**

(51) **LOC (9) Cl.** **12-15**

(52) **U.S. Cl.**
USPC **D12/585**

(58) **Field of Classification Search**
USPC D12/568-603, 547-550, 900-901;
152/209.1-209.9, 209.11-209.19,
209.21-209.28, 455

See application file for complete search history.

(56) **References Cited**

U.S. PATENT DOCUMENTS

D369,766 S *	5/1996	Wakamatsu et al.	D12/585
D380,182 S *	6/1997	Matsuda et al.	D12/585
D394,622 S *	5/1998	Guspodin et al.	D12/585
D423,424 S *	4/2000	Ikeda	D12/585
D444,741 S *	7/2001	Williams	D12/585
D450,271 S	11/2001	Wallet et al.	
D470,102 S	2/2003	Shirouzu	
D555,582 S *	11/2007	Lee	D12/585
D603,787 S *	11/2009	Lim et al.	D12/585
D613,678 S	4/2010	Nakamura et al.	
D647,033 S	10/2011	Murata et al.	

D648,263 S	11/2011	Takei	
D648,675 S *	11/2011	Kiwaki	D12/585
D668,600 S *	10/2012	Pingenat et al.	D12/584

* cited by examiner

Primary Examiner — Stacia Cadmus

(74) *Attorney, Agent, or Firm* — Thomas W. Cook

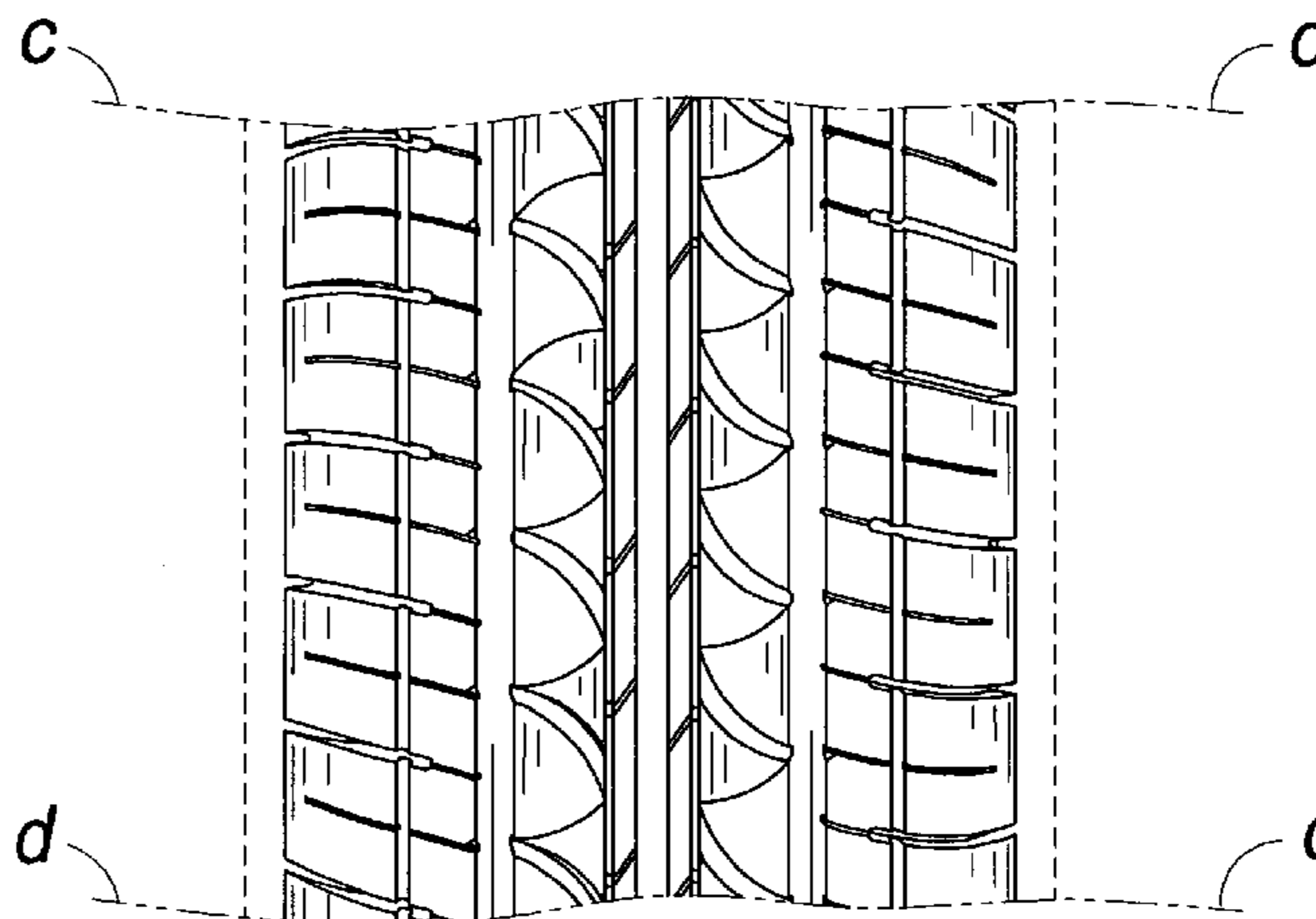
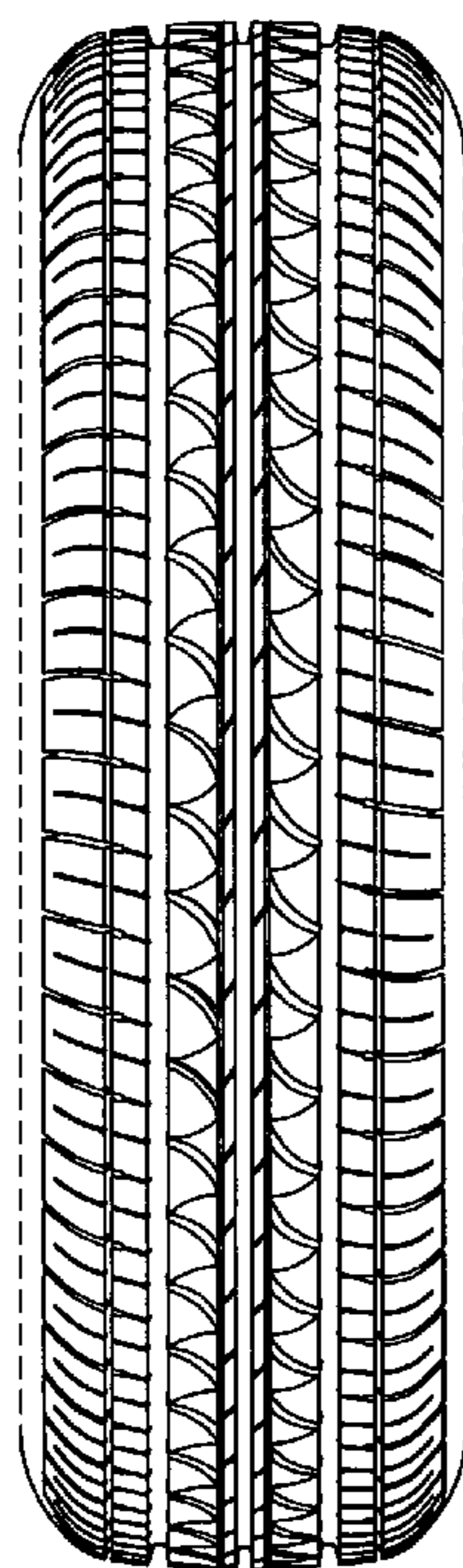
(57) **CLAIM**

The ornamental design for a tire tread, as shown and described.

DESCRIPTION

FIG. 1 is a perspective view of a tire tread, showing our new design;
 FIG. 2 is a front view thereof;
 FIG. 3 is a side view thereof;
 FIG. 4 is a perspective view of a section of the tire tread as defined by lines a-a and b-b;
 FIG. 5 is an enlarged view of the section of the tire tread defined by lines a-a and b-b in FIG. 4;
 FIG. 6 is a front view of a section of the tire tread as defined by lines c-c and d-d;
 FIG. 7 is an enlarged view of the section of the tire tread defined by lines c-c and d-d in FIG. 6;
 FIG. 8 is a side view of a section of the tire tread as defined by line e and line f; and,
 FIG. 9 is an enlarged view of the section of the tire tread defined by line e and line fin, FIG. 8.
 (c) The broken line showing of the tire in FIGS. 4-9 is included for the purpose of illustrating environment, and forms no part of the claimed design.

1 Claim, 9 Drawing Sheets



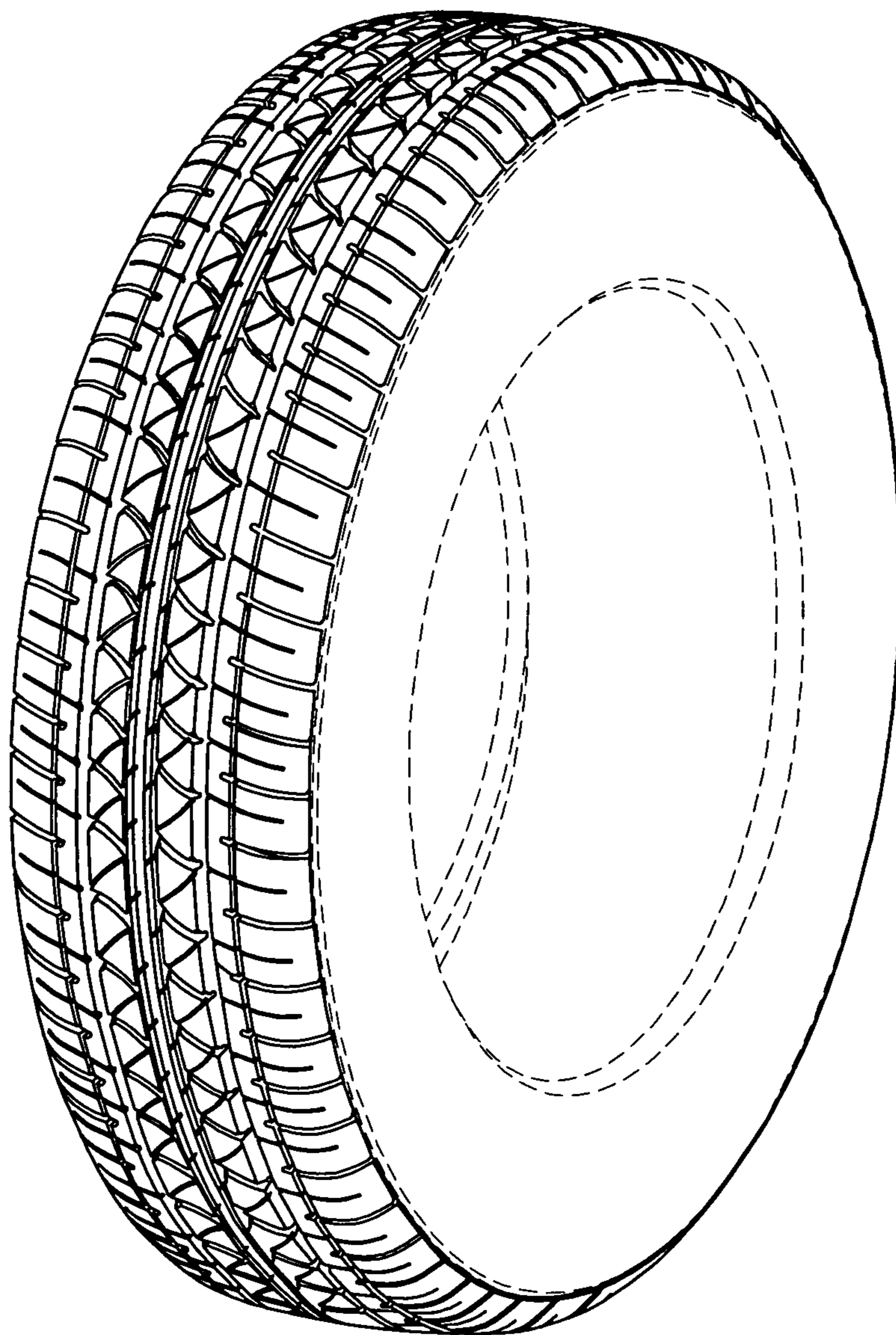


FIG. 1

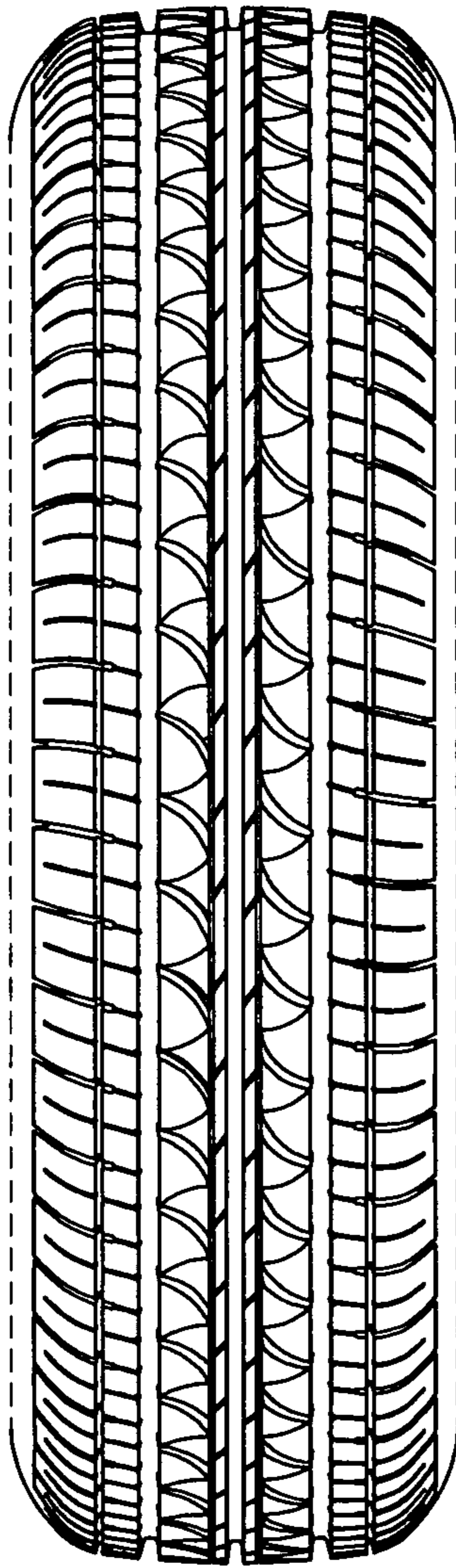


FIG. 2

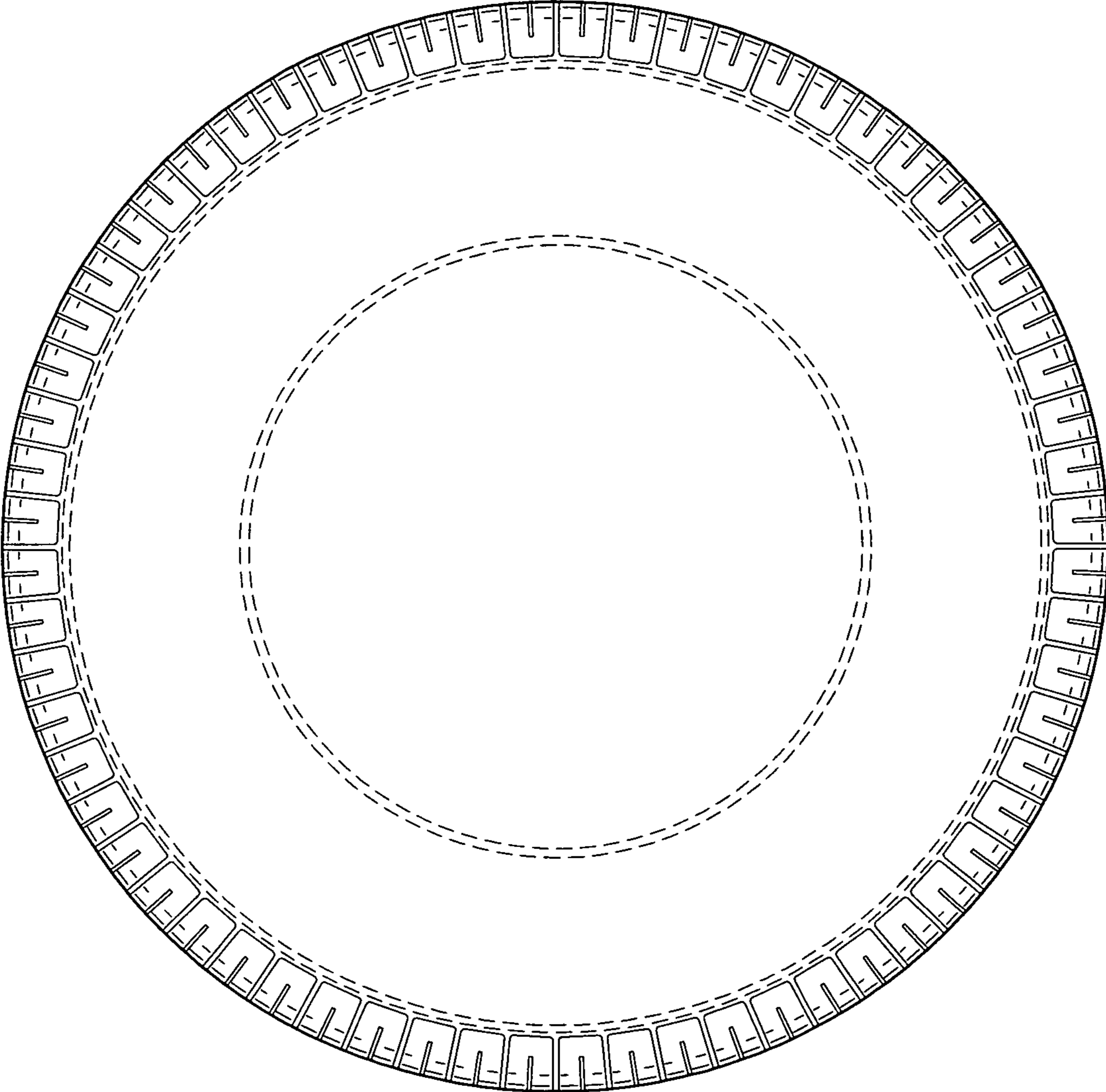


FIG. 3

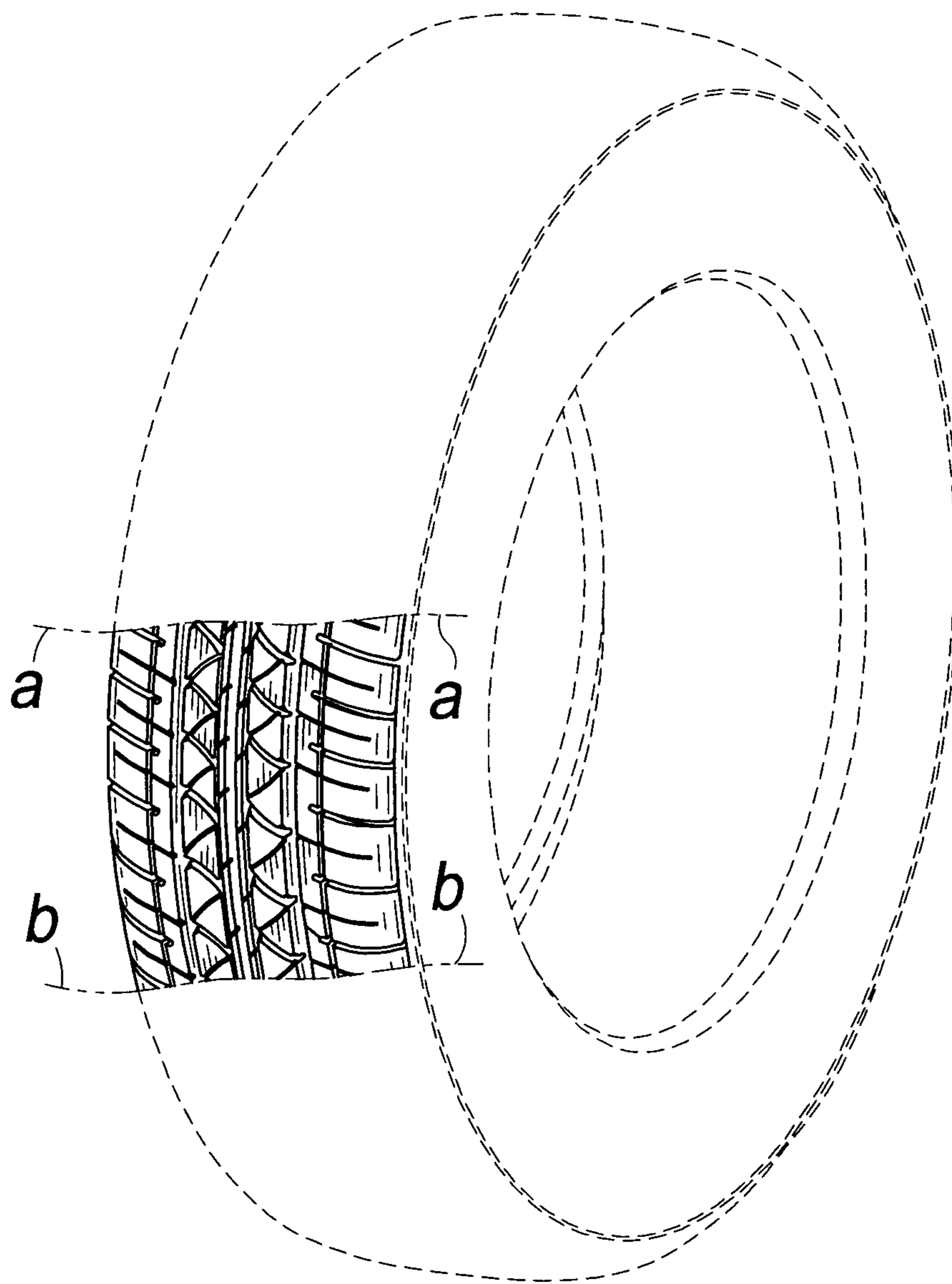


FIG. 4

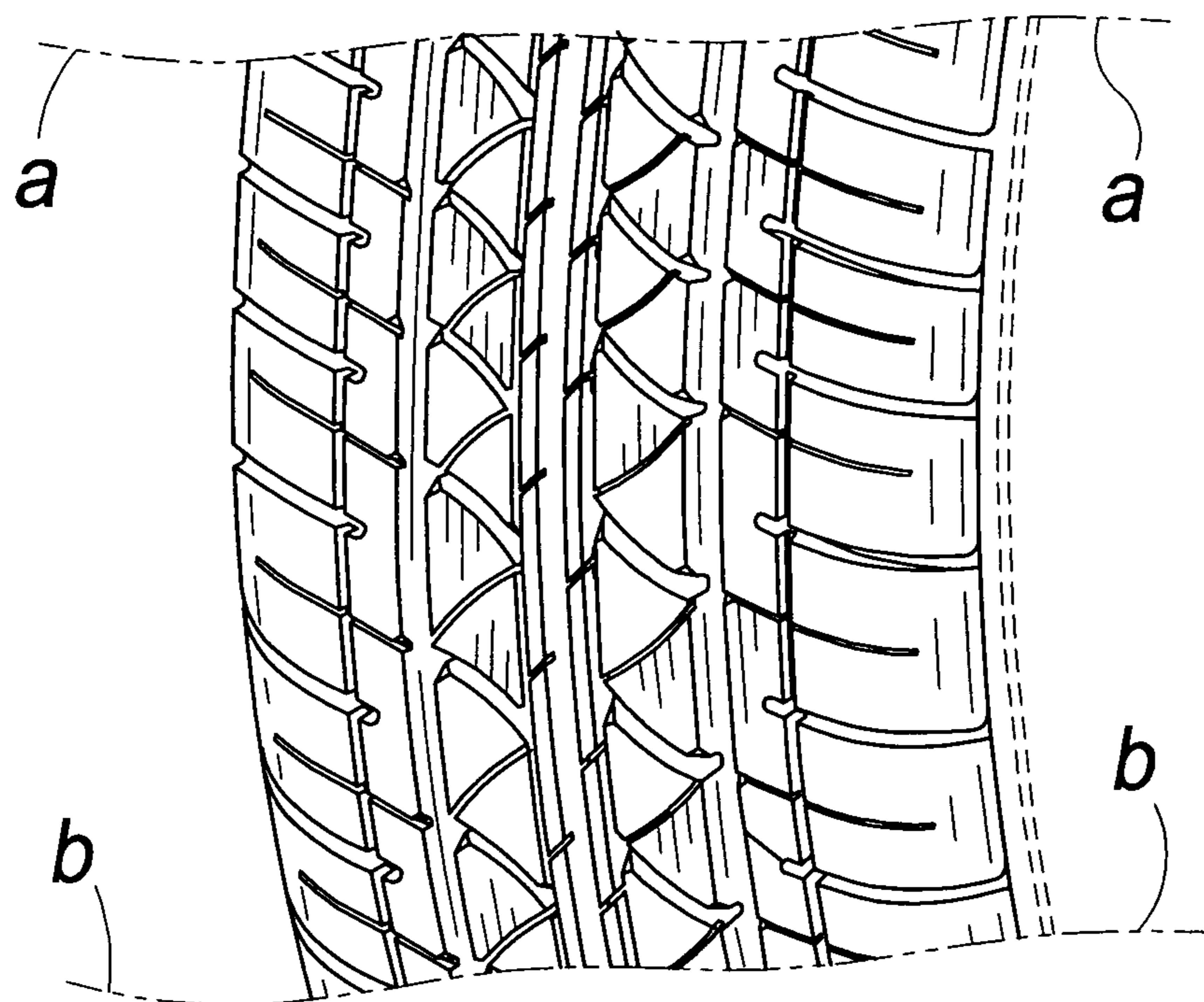


FIG. 5

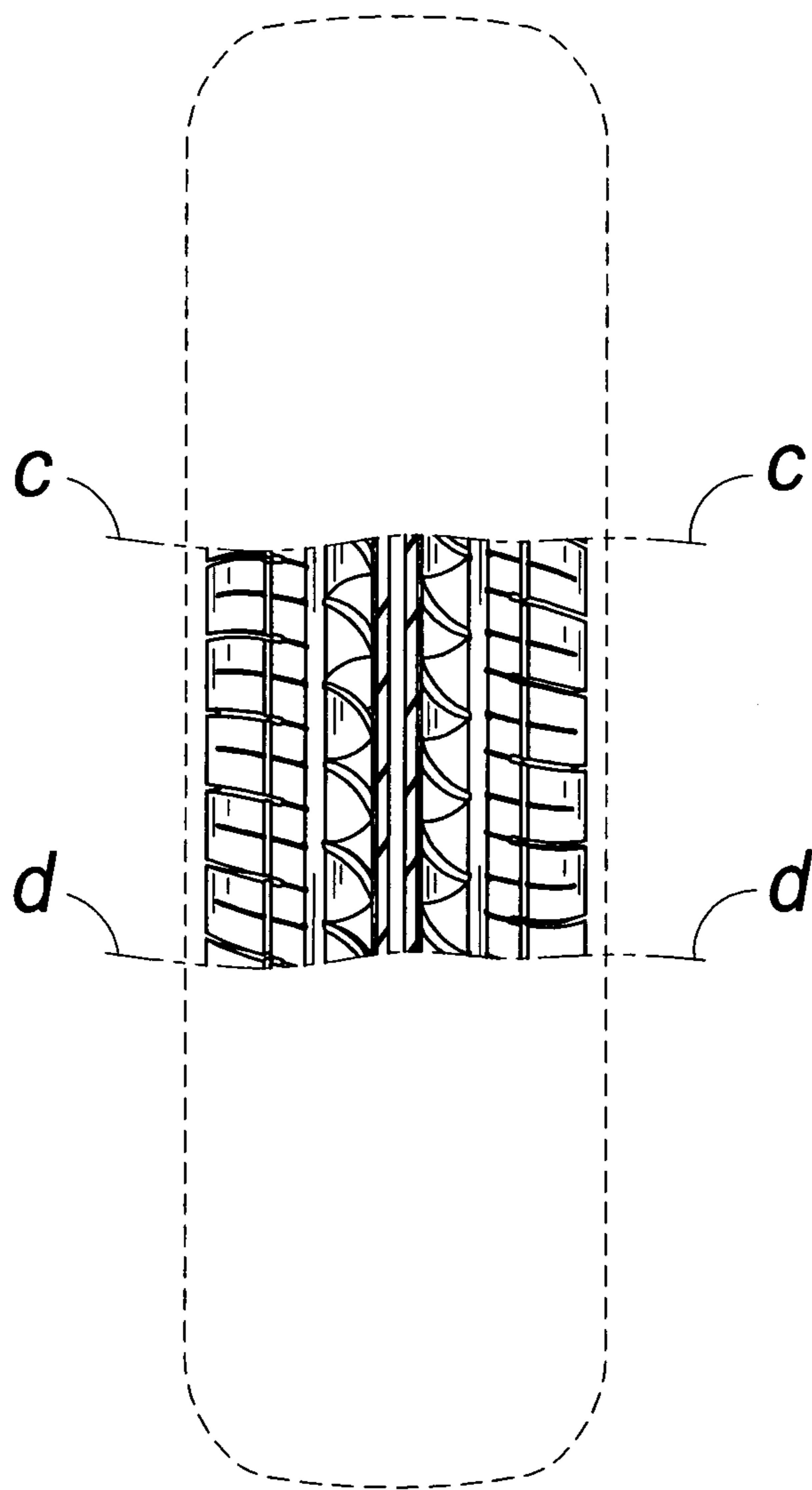


FIG. 6

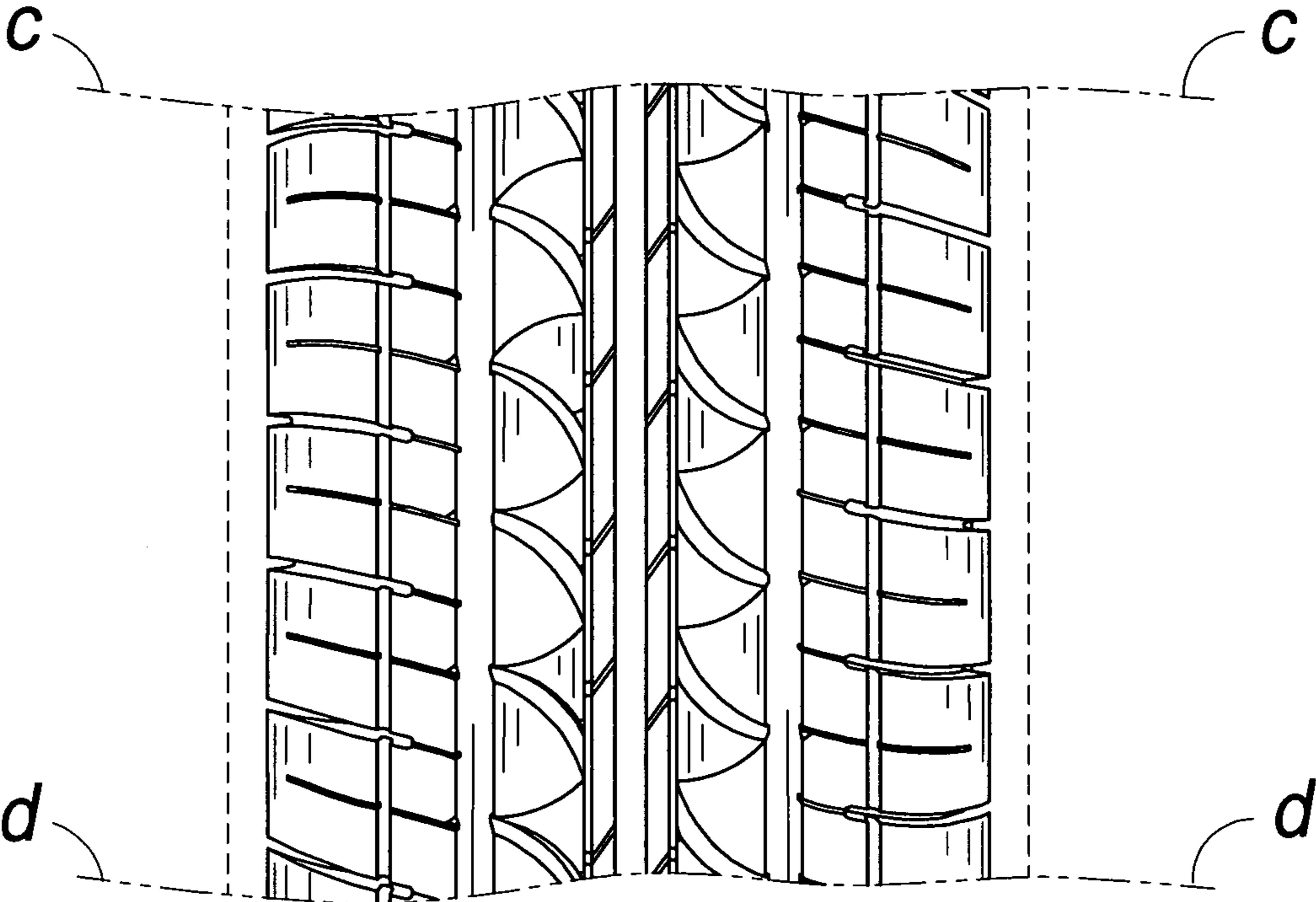


FIG. 7

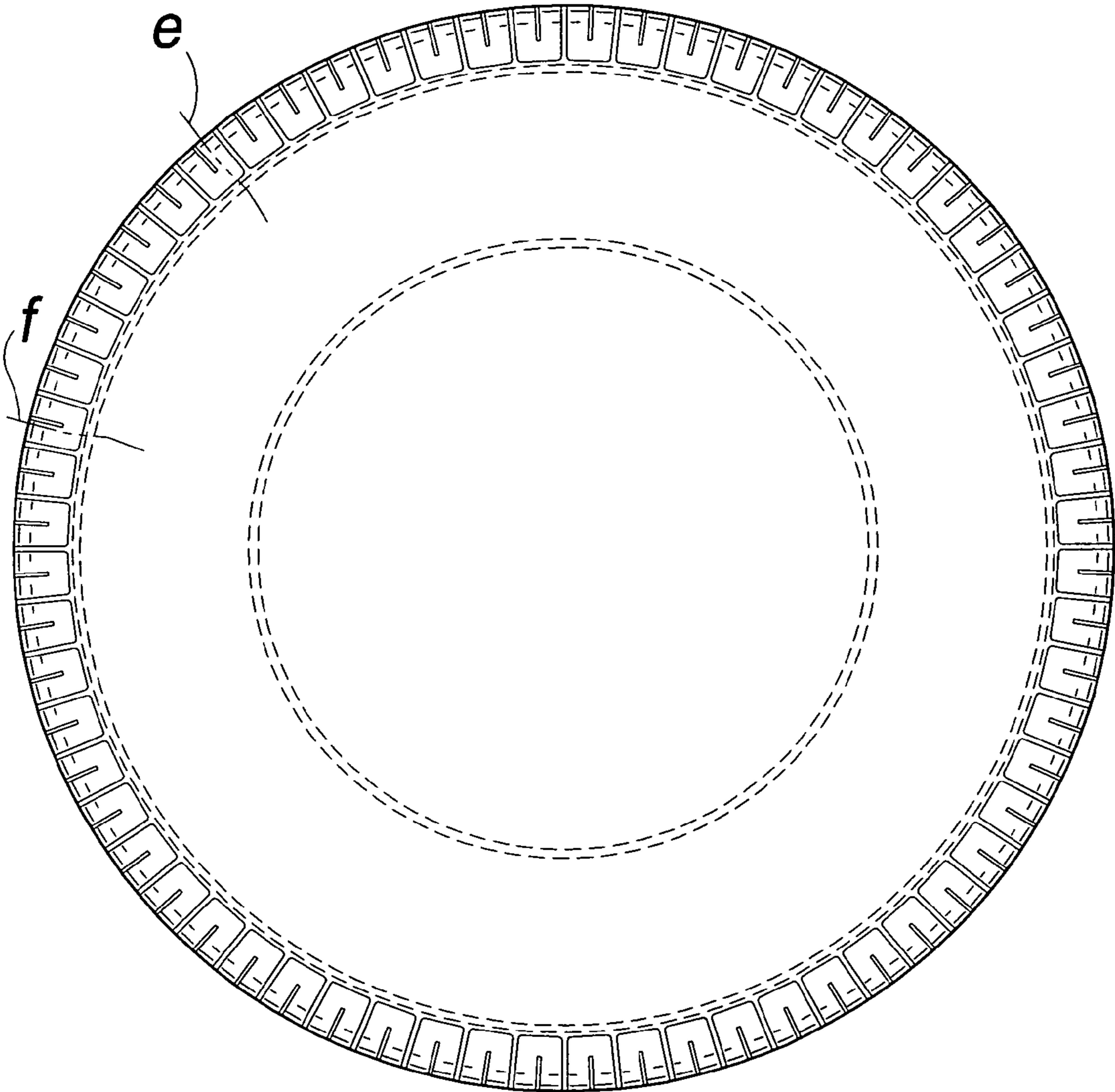


FIG. 8

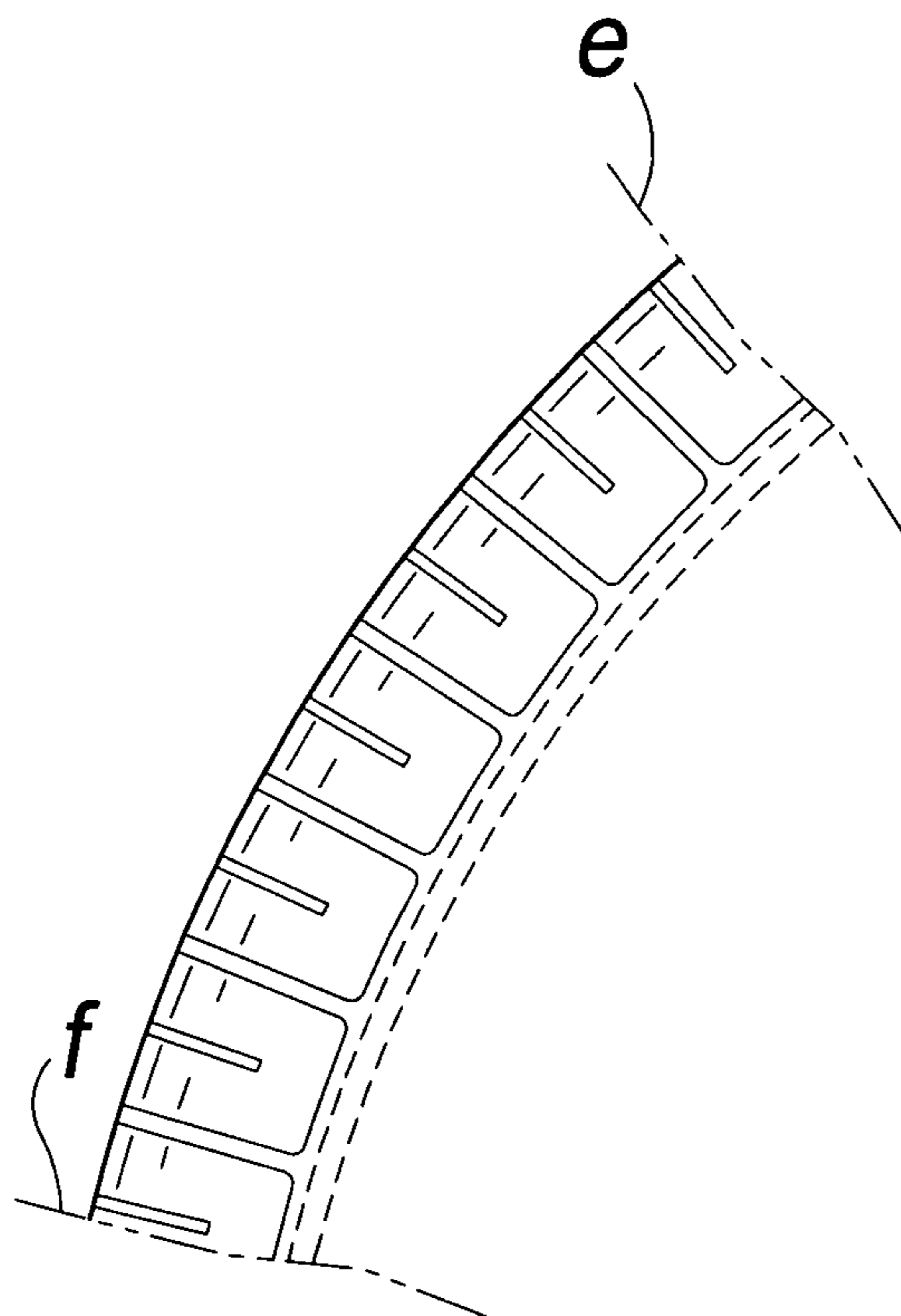


FIG. 9