



US00D684922S

(12) **United States Design Patent**  
**Scheuren et al.**

(10) **Patent No.:** **US D684,922 S**  
(45) **Date of Patent:** **\*\* Jun. 25, 2013**

(54) **TIRE**

(75) Inventors: **Daniel Scheuren**, Arlon (BE); **Philippe Joseph Auguste Muller**, Champlon (BE); **Vincent Benoit Mathonet**, Habay-la-Neuve (BE); **Laurent Luigi Domenico Colantonio**, Bastogne (BE)

(73) Assignee: **The Goodyear Tire & Tire Company**, Akron, OH (US)

(\*\*) Term: **14 Years**

(21) Appl. No.: **29/400,771**

(22) Filed: **Sep. 1, 2011**

(51) **LOC (9) Cl.** ..... **12-15**

(52) **U.S. Cl.**  
USPC ..... **D12/564**

(58) **Field of Classification Search**  
USPC ..... D12/533-567; 152/209.1-209.28  
See application file for complete search history.

(56) **References Cited**

U.S. PATENT DOCUMENTS

D360,864 S	8/1995	Munster et al.	.....	D12/151
D410,218 S	5/1999	Hitzky et al.	.....	D12/147
D414,731 S	* 10/1999	Akiyama et al.	.....	D12/552
D441,328 S	5/2001	Heinen et al.	.....	D12/146
D441,696 S	5/2001	Fierro et al.	.....	D12/147
D484,846 S	1/2004	Graas	.....	D12/551
D492,930 S	7/2004	Maxwell	.....	D12/558
D512,958 S	12/2005	Allison et al.	.....	D12/552
D516,011 S	2/2006	Shondel et al.	.....	D12/566
D526,955 S	* 8/2006	Heinen et al.	.....	D12/549
D526,956 S	8/2006	Welbes et al.	.....	D12/553

D592,588 S	*	5/2009	Heinen et al.	.....	D12/564
D599,731 S		9/2009	Scheuren	.....	D12/566
D610,964 S	*	3/2010	Dixon et al.	.....	D12/552

\* cited by examiner

*Primary Examiner* — George D Kirschbaum

(74) *Attorney, Agent, or Firm* — Richard B. O'Planick

(57) **CLAIM**

The ornamental design for a tire, as shown and described.

**DESCRIPTION**

FIG. 1 is a perspective view of a tire showing our new design, it being understood that the pattern repeats uniformly throughout the circumference of the tread;

FIG. 2 is a front elevational view thereof;

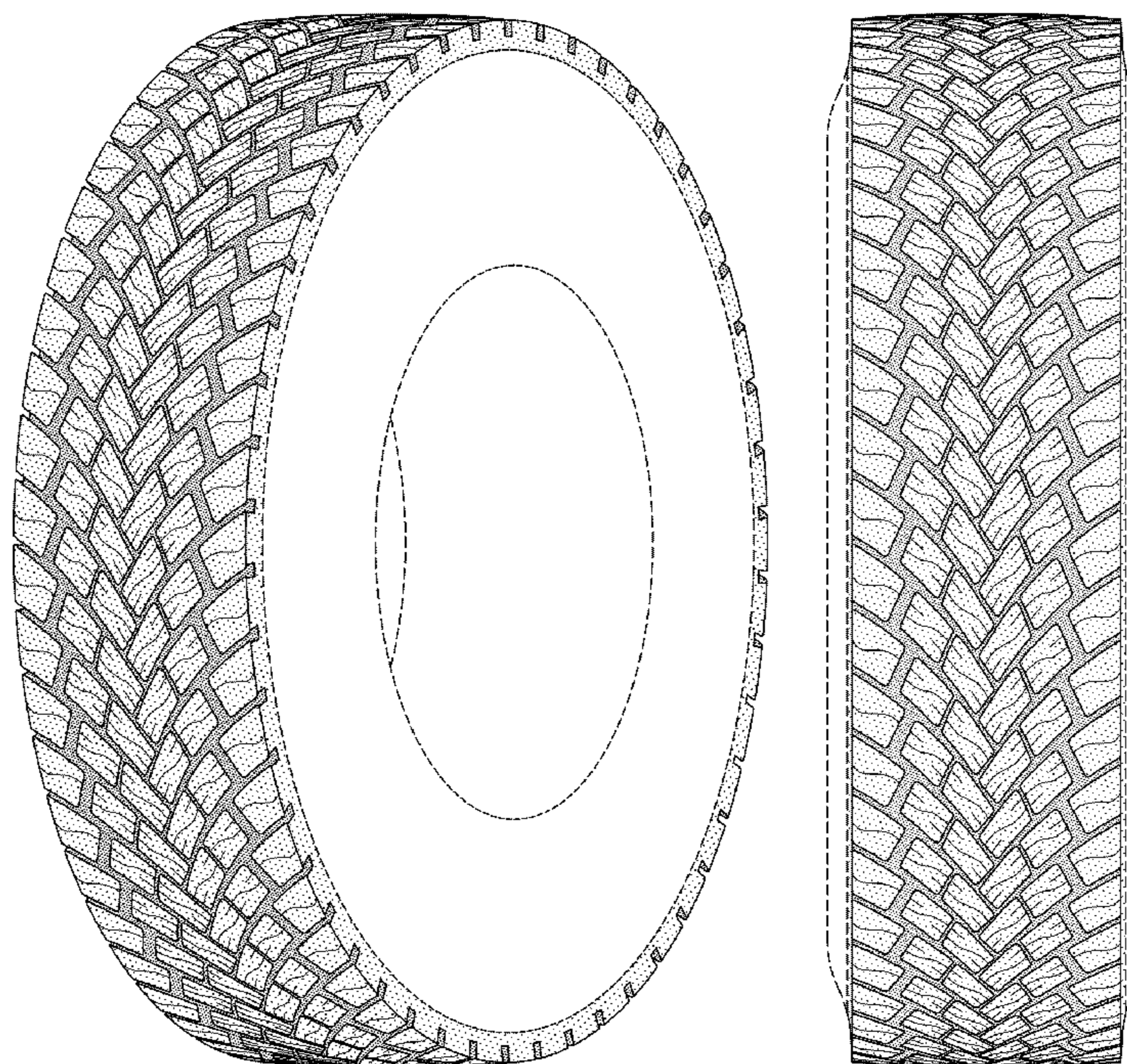
FIG. 3 is a right side elevational view thereof; the other side being a mirror image thereof;

FIG. 4 is an enlarged fragmentary front elevational view thereof;

FIG. 5 is a perspective view of a second embodiment of a tire showing our new design, it being understood that the pattern repeats uniformly throughout the circumference of the tread and that the opposite side view is a minor image thereof; and, FIG. 6 is a front elevational view of a second embodiment, it being understood that an enlarged fragmentary view thereof would be substantially identical to that shown in FIG. 4, with the exception of the inclusion of the sidewall in solid lines.

In the drawings, the broken lines showing of the sidewall, inner bead and the peripheral boundary between the tire tread and the sidewall in FIGS. 1 through 4 depict environmental subject matter and form no part of the claimed design.

**1 Claim, 6 Drawing Sheets**





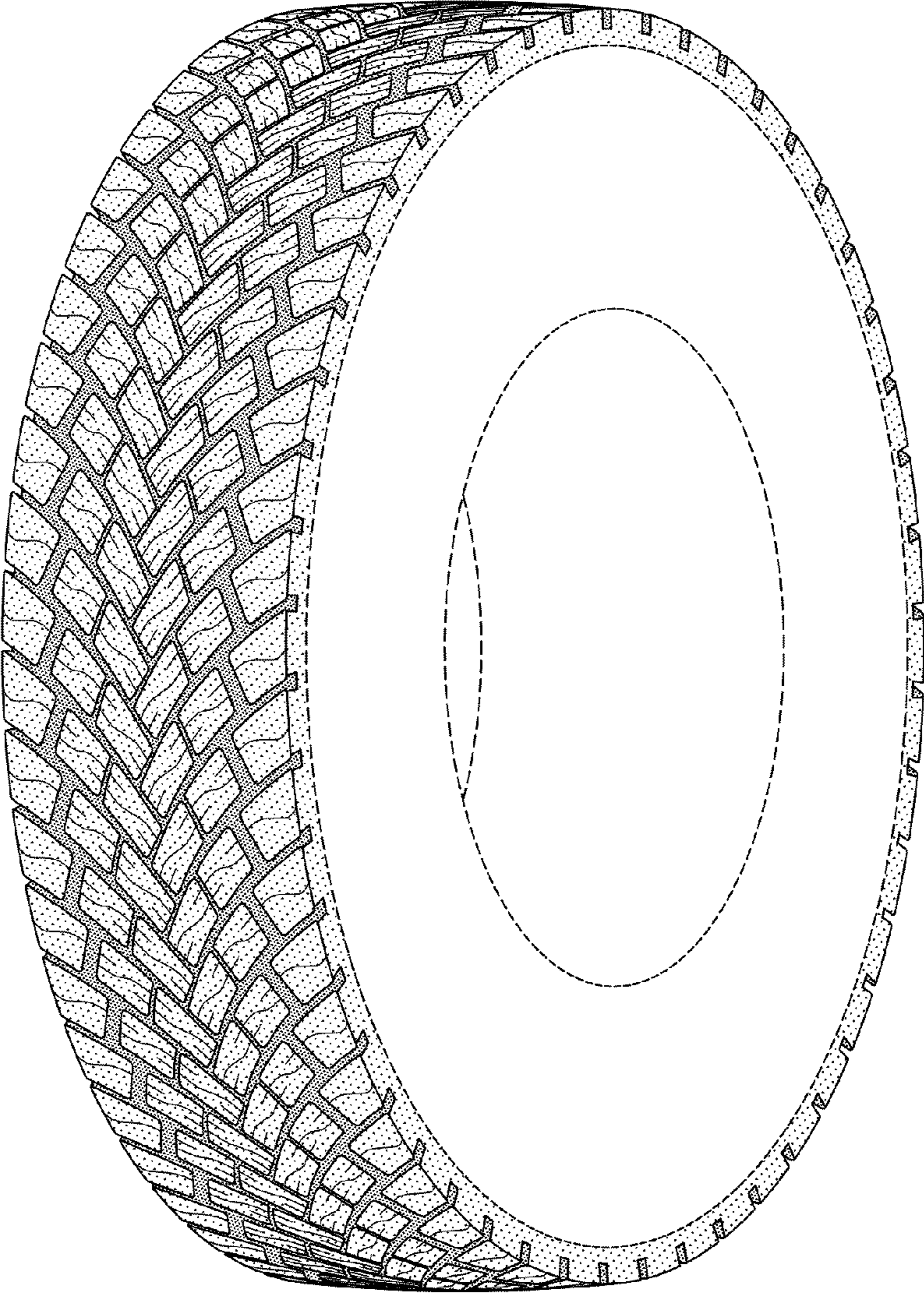


FIG-1

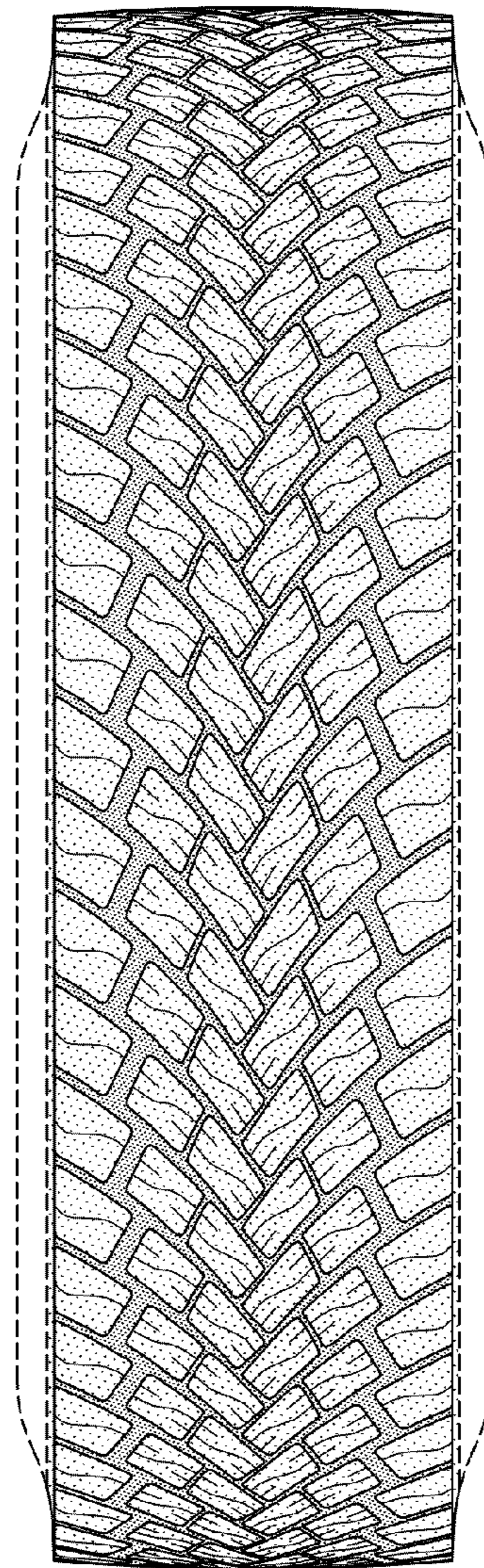


FIG-2



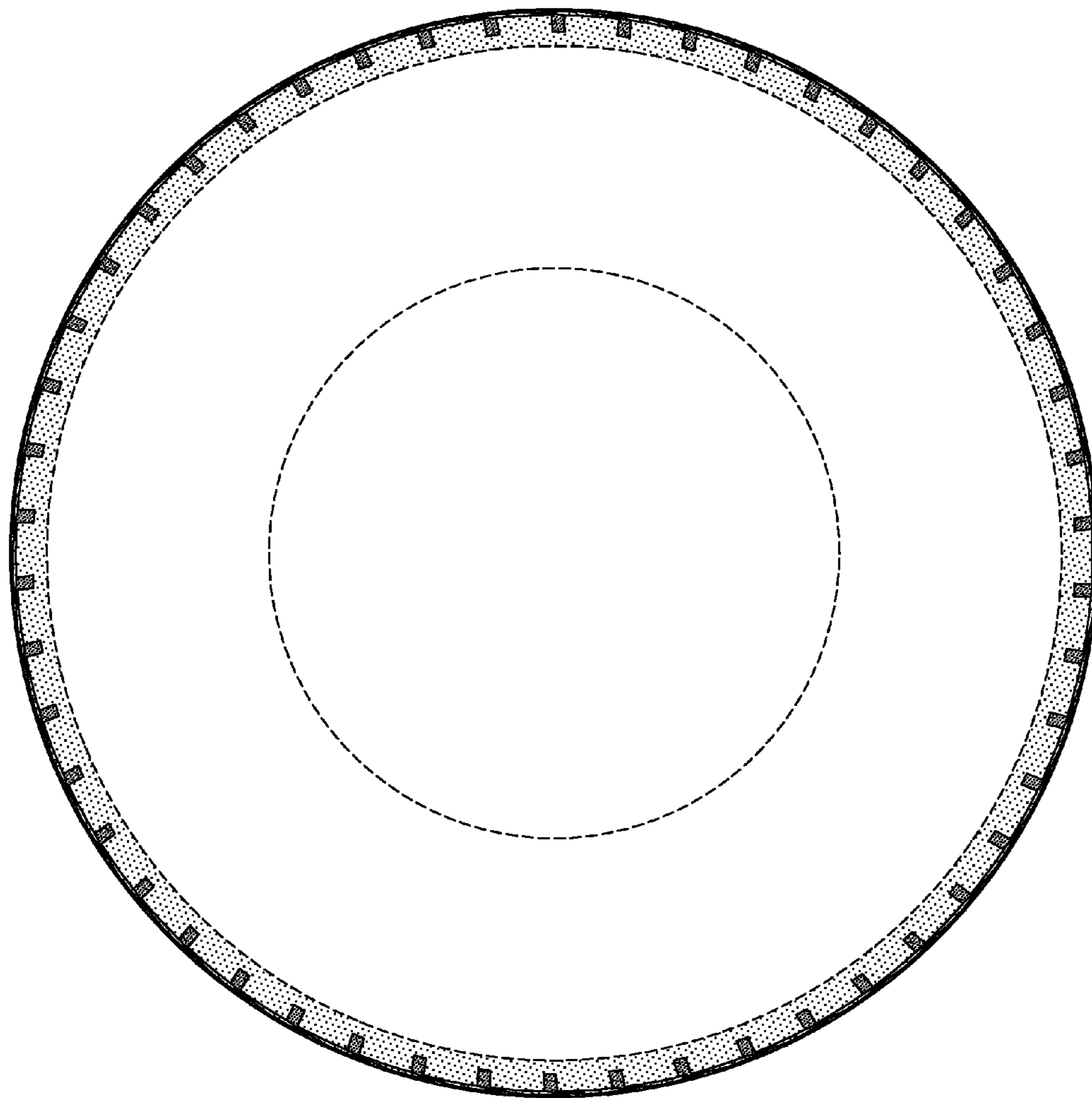


FIG-3

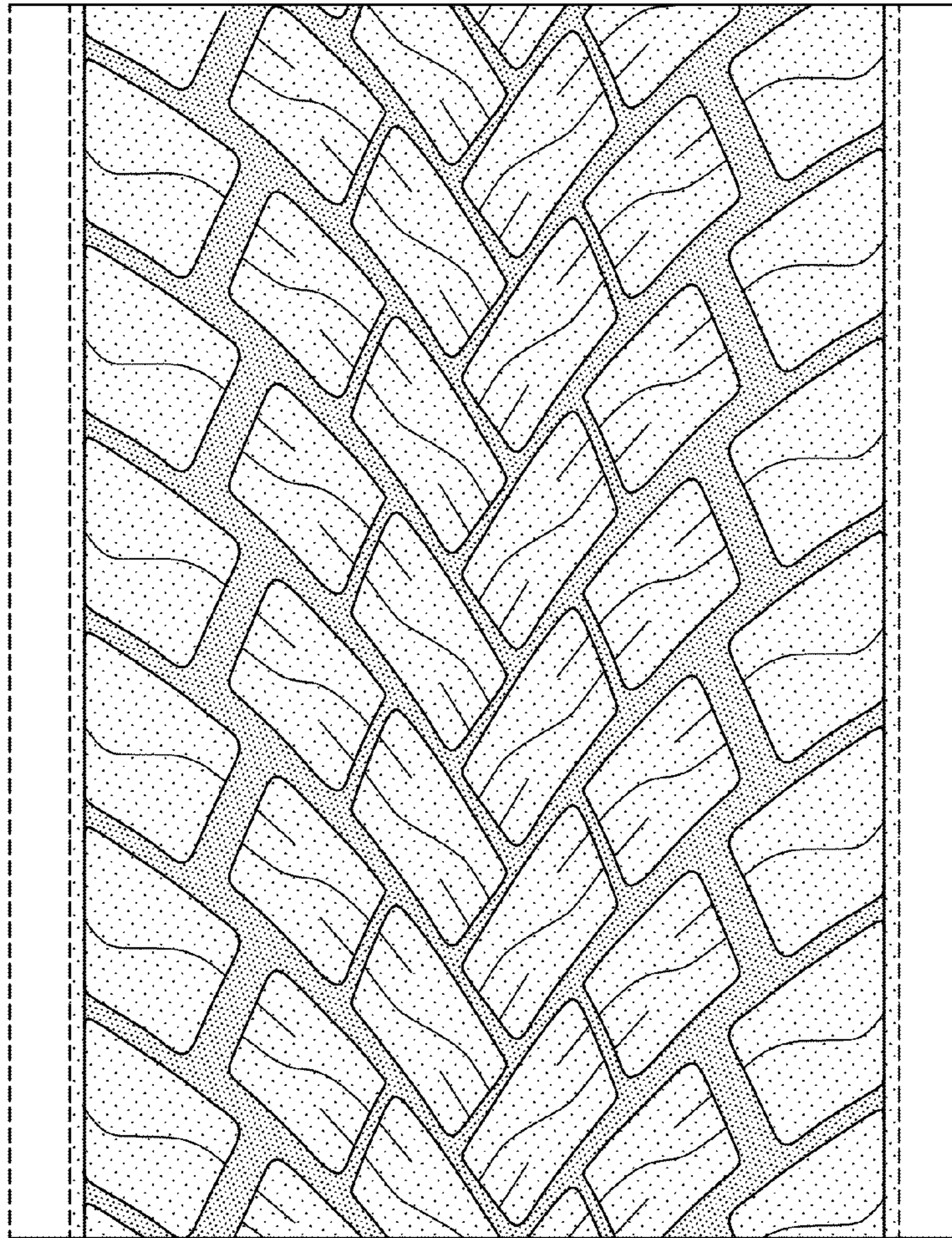


FIG-4



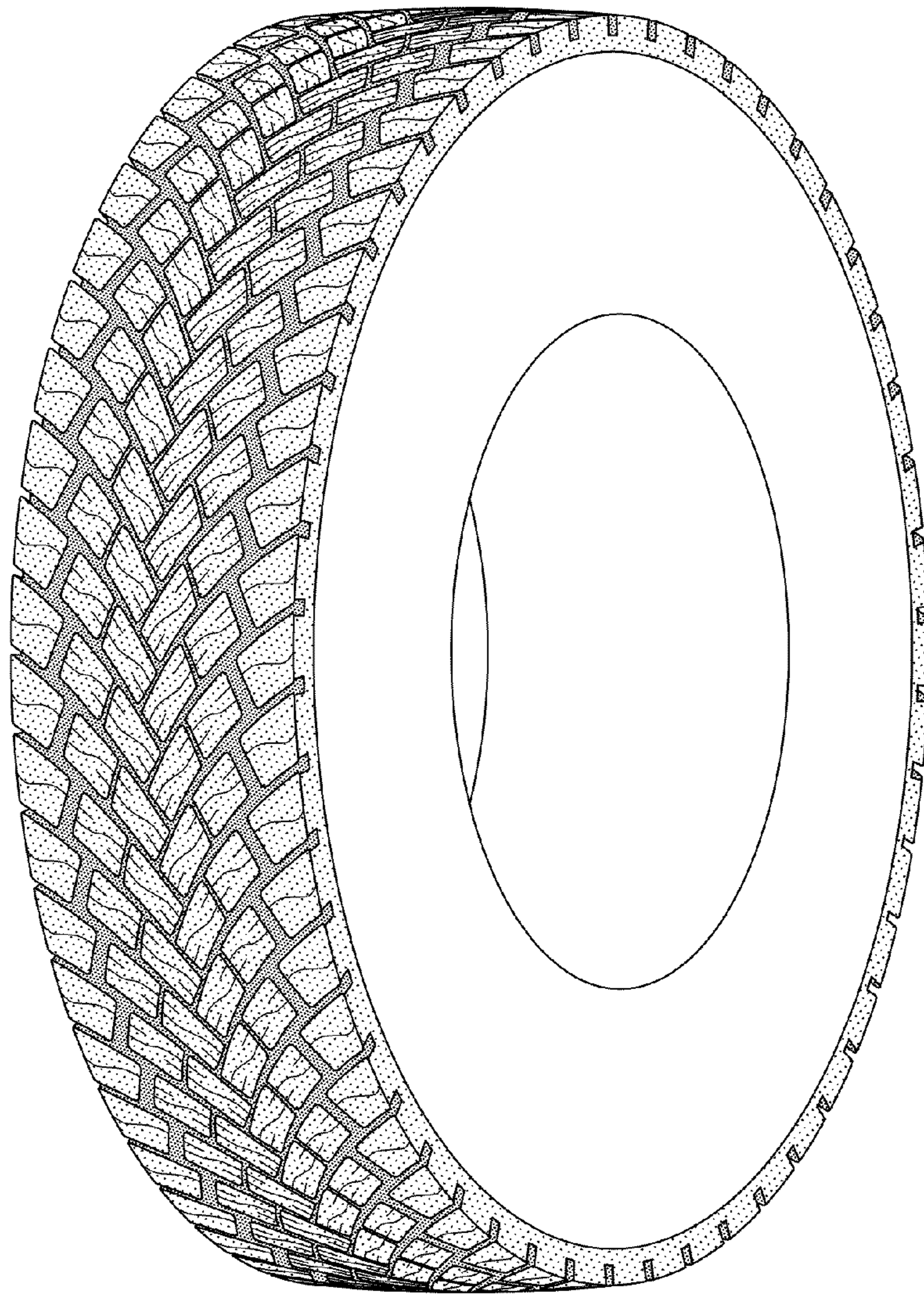


FIG-5

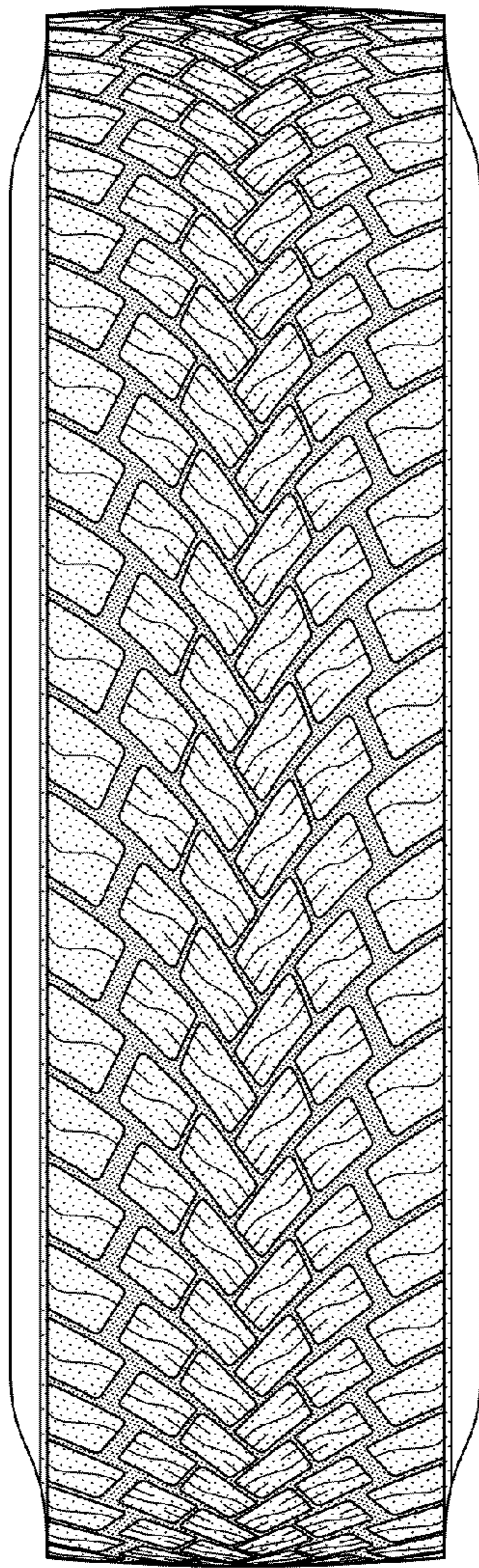


FIG-6