



US00D684919S

(12) **United States Design Patent**  
**Maxwell et al.**

(10) **Patent No.:** **US D684,919 S**  
(45) **Date of Patent:** **\*\* Jun. 25, 2013**

- (54) **TIRE**
- (75) Inventors: **Paul Bryan Maxwell**, Kent, OH (US);  
**Michael Howard Curtis**, Stow, OH (US); **Daniel Glenn Oberlin**,  
Marshallville, OH (US)
- (73) Assignee: **The Goodyear Tire & Rubber Company**, Akron, OH (US)
- (\*\*) Term: **14 Years**
- (21) Appl. No.: **29/403,973**
- (22) Filed: **Oct. 13, 2011**
- (51) **LOC (9) Cl.** ..... **12-15**
- (52) **U.S. Cl.**  
USPC ..... **D12/521**
- (58) **Field of Classification Search**  
USPC ..... D12/505-532; 152/209.1-209.28  
See application file for complete search history.

D558,128 S	12/2007	Delu et al. ....	D12/521
D560,595 S	1/2008	Bindner et al. ....	D12/521
D571,283 S	6/2008	Neidert et al. ....	D12/524
D586,726 S	2/2009	Baumard et al. ....	D12/521
D601,079 S	9/2009	Hughes et al. ....	D12/521
D601,485 S	10/2009	Hughes et al. ....	D12/521
D647,454 S *	10/2011	Fabing et al. ....	D12/518

\* cited by examiner

*Primary Examiner* — George D Kirschbaum  
(74) *Attorney, Agent, or Firm* — Richard B. O’Planick

(57) **CLAIM**  
The ornamental design for a tire, as shown and described.

**DESCRIPTION**

FIG. 1 is a perspective view of a tire showing our new design, it being understood that the pattern repeats uniformly throughout the circumference of the tread;

FIG. 2 is a front elevational view thereof;

FIG. 3 is a right side elevational view thereof;

FIG. 4 is a left side elevational view thereof;

FIG. 5 is an enlarged fragmentary front elevational view thereof;

FIG. 6 is a perspective view of a second embodiment of a tire showing our new design, it being understood that the pattern repeats uniformly throughout the circumference of the tread; and,

FIG. 7 is a front elevational view of a second embodiment, it being understood that an enlarged fragmentary view thereof would be substantially identical to that shown in FIG. 5, with the exception of the inclusion of the sidewall in solid lines.

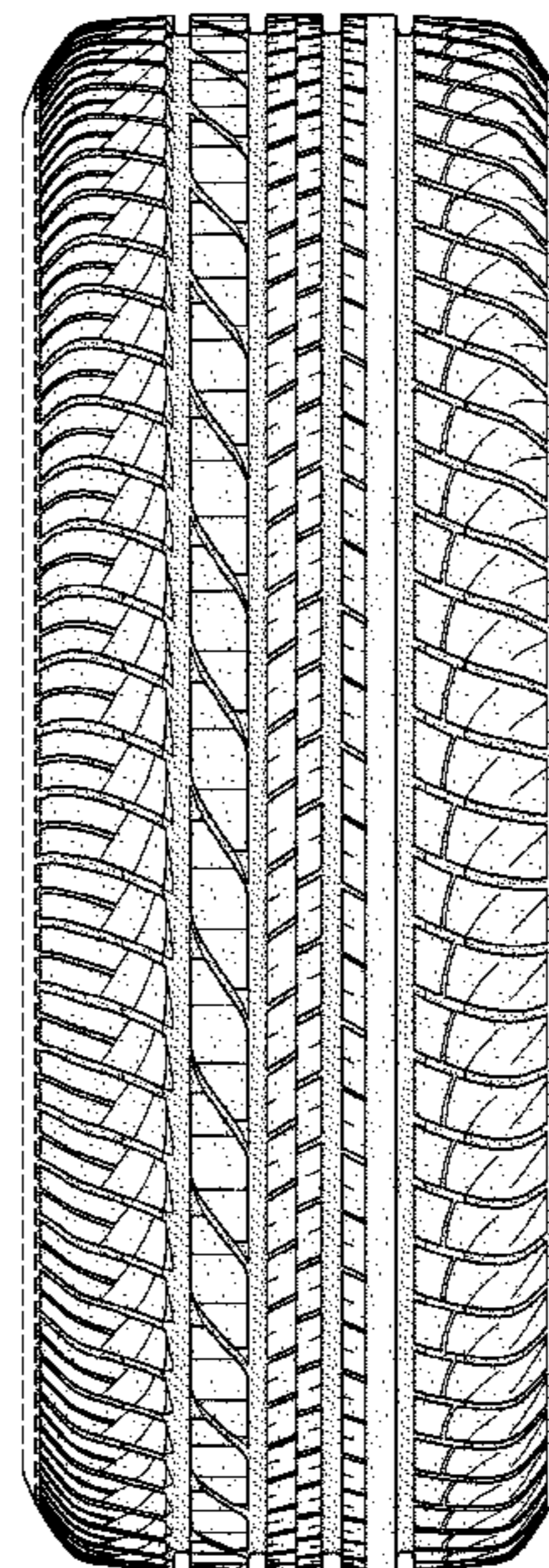
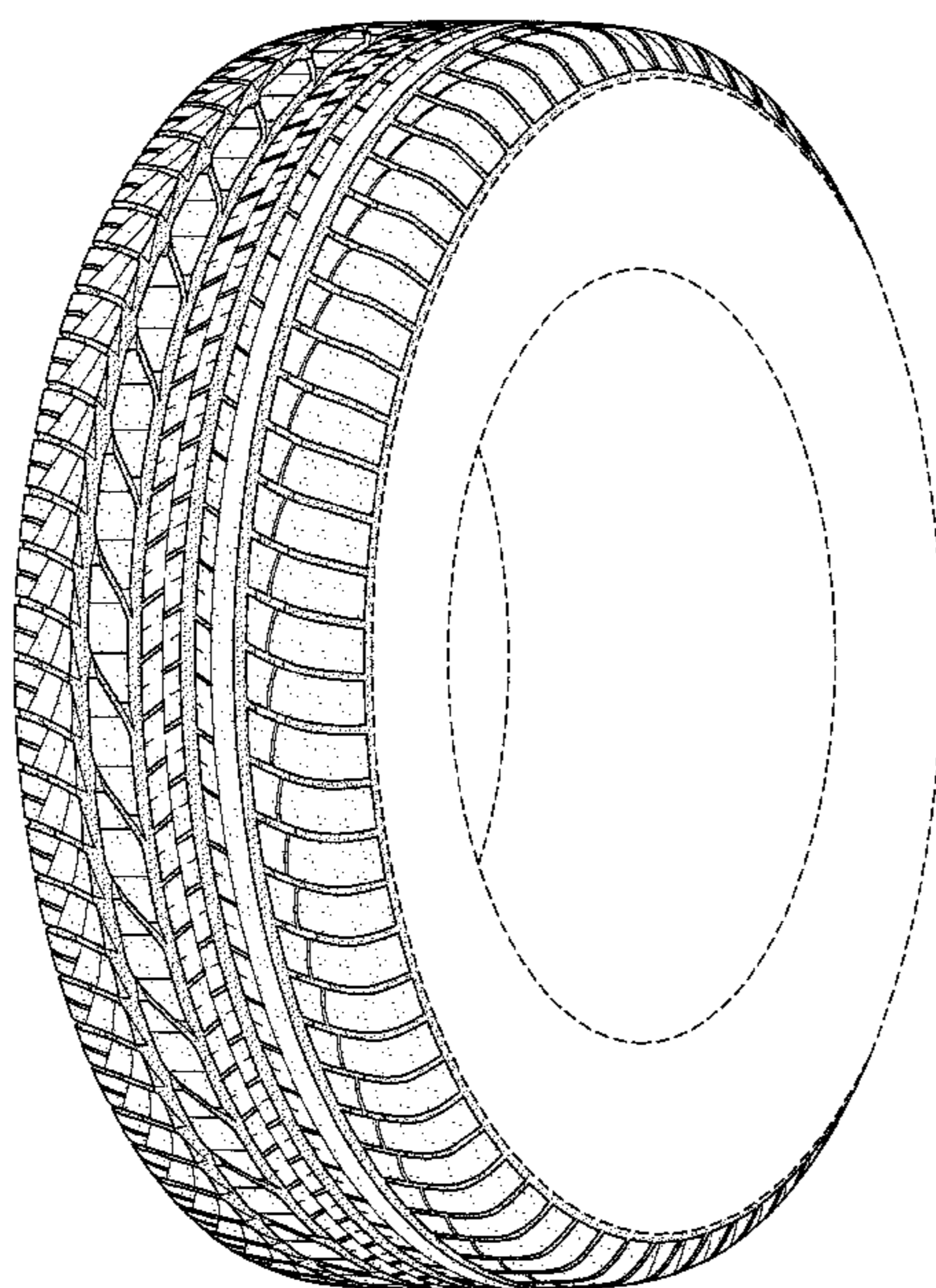
In the drawings, the broken lines showing of the sidewall, inner bead and the peripheral boundary between the tire tread and the sidewall in FIGS. 1 through 5 depict environmental subject matter and form no part of the claimed design.

(56) **References Cited**

U.S. PATENT DOCUMENTS

D490,047 S	5/2004	Heinen et al. ....	D12/524
D490,048 S	5/2004	Heinen et al. ....	D12/524
D490,049 S	5/2004	Heinen et al. ....	D12/524
D512,012 S	11/2005	Delu et al. ....	D12/517
D512,013 S	11/2005	Delu et al. ....	D12/521
D515,021 S	2/2006	Delu et al. ....	D12/524
D524,231 S	7/2006	Marazzi et al. ....	D12/521
D524,232 S	7/2006	Heinen et al. ....	D12/521
D524,233 S	7/2006	Marazzi et al. ....	D12/521
D524,235 S	7/2006	Marazzi et al. ....	D12/521
D524,236 S	7/2006	Marazzi et al. ....	D12/524
D531,108 S	10/2006	Marazzi et al. ....	D12/523
D546,272 S	7/2007	Shinohara et al. ....	D12/521
D551,156 S	9/2007	Shinohara et al. ....	D12/521

**1 Claim, 7 Drawing Sheets**



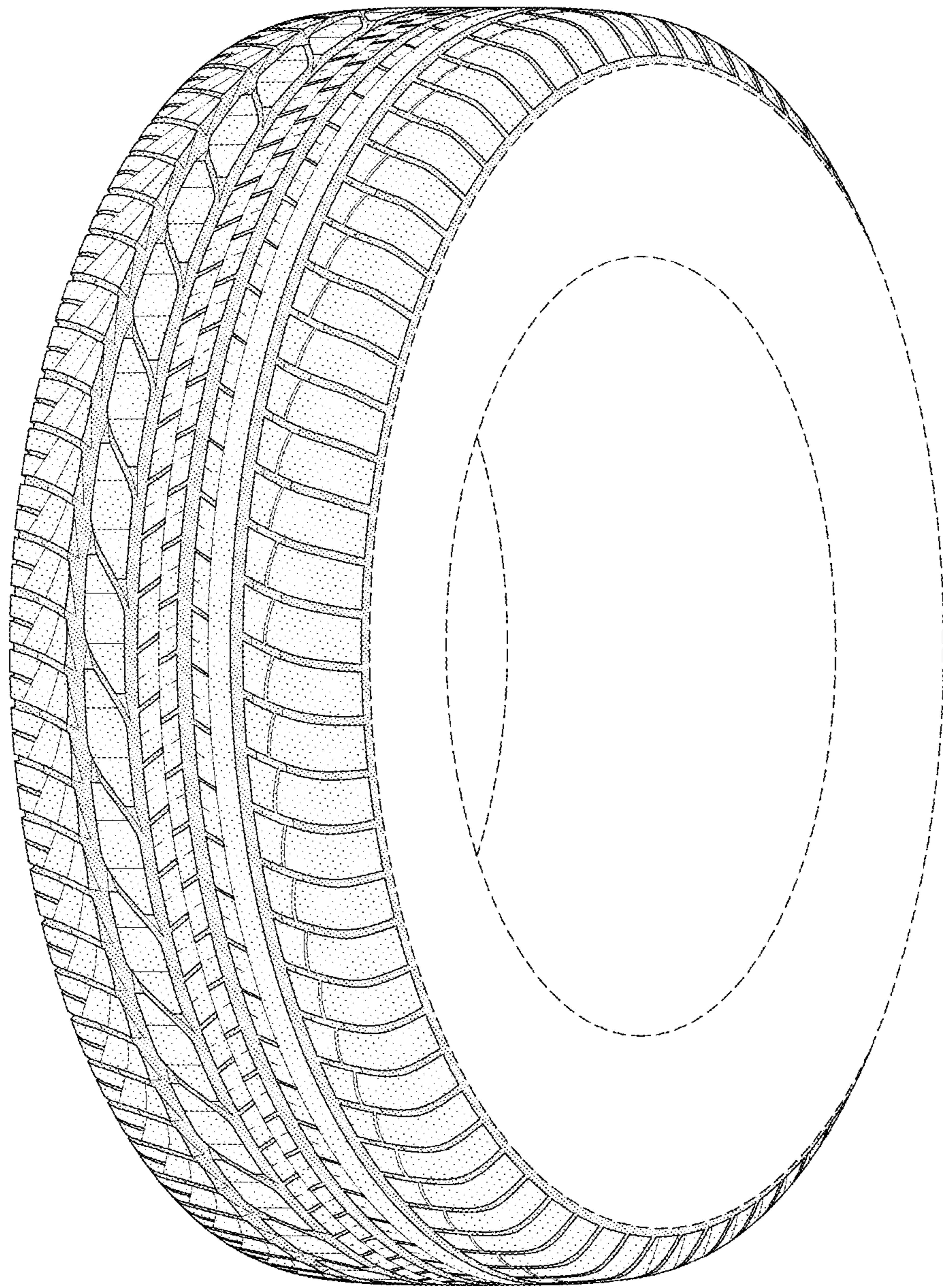


FIG-1

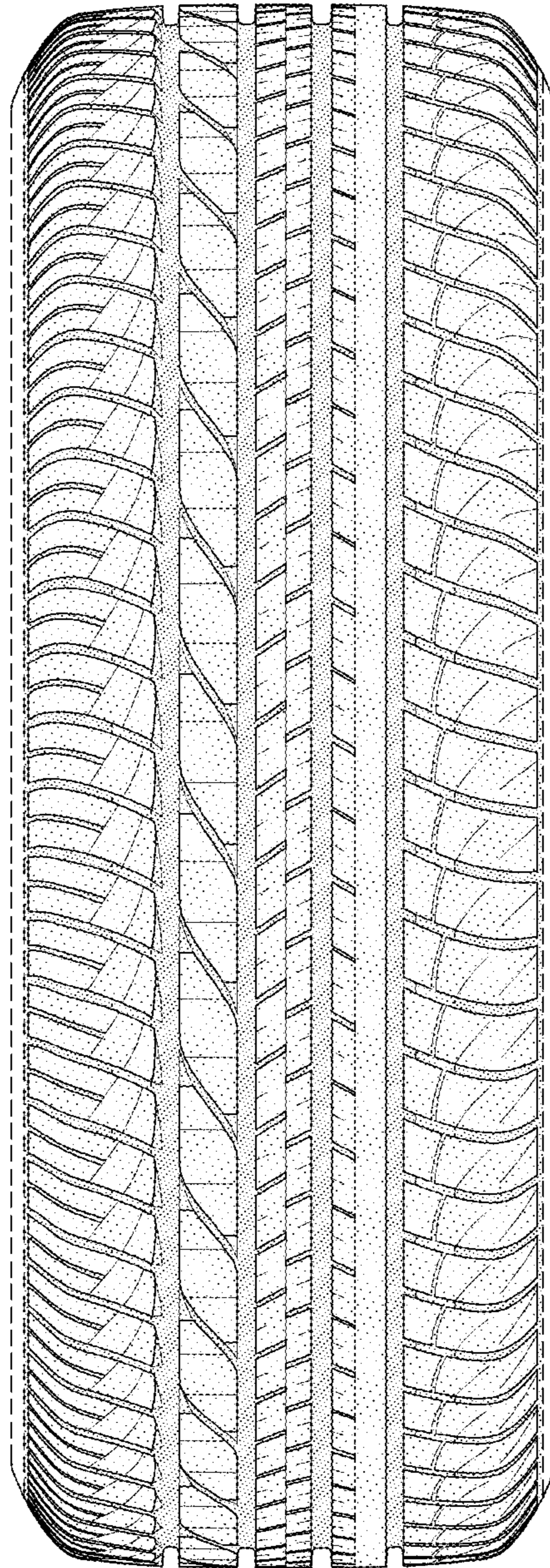


FIG-2

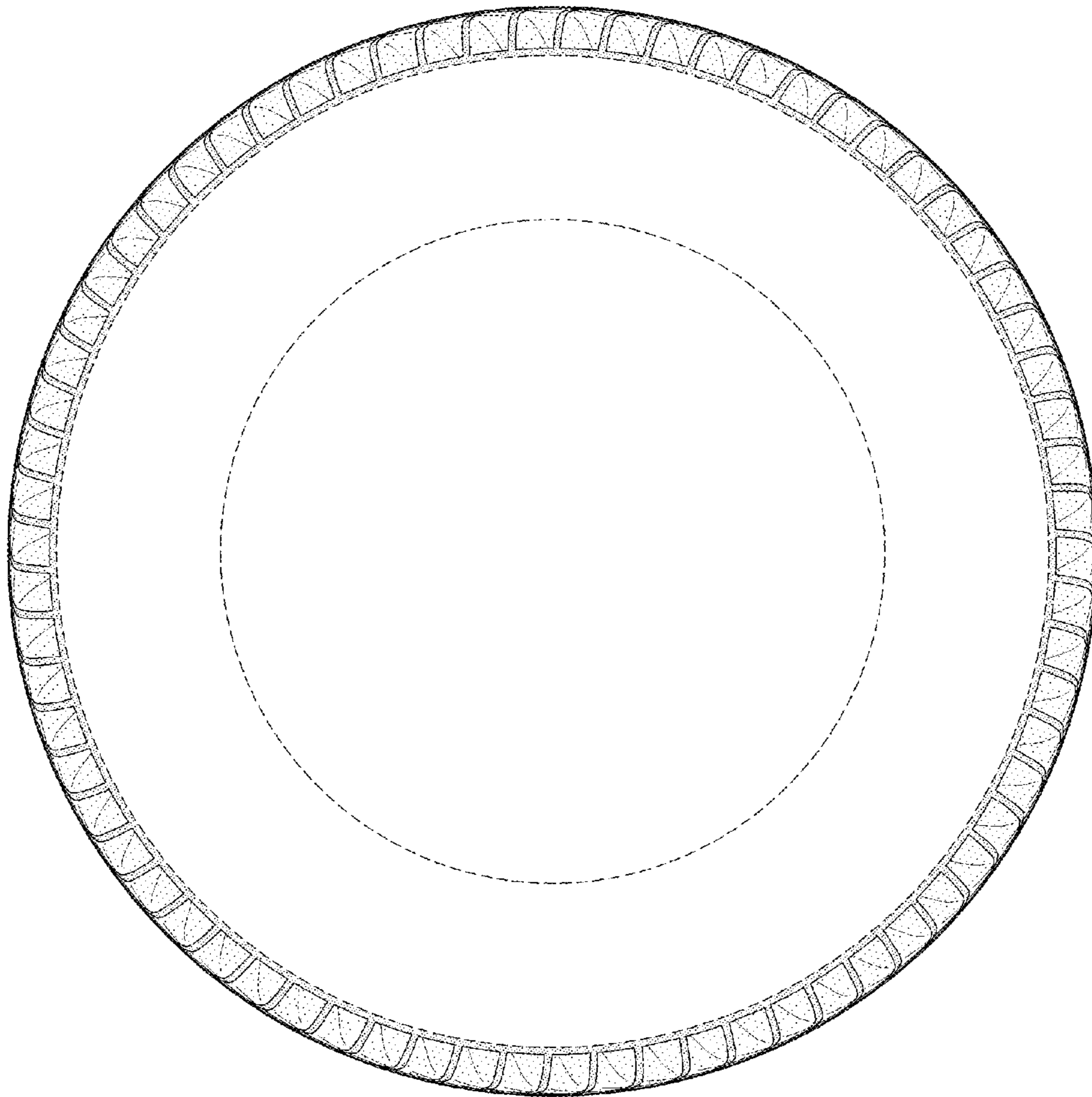


FIG-3

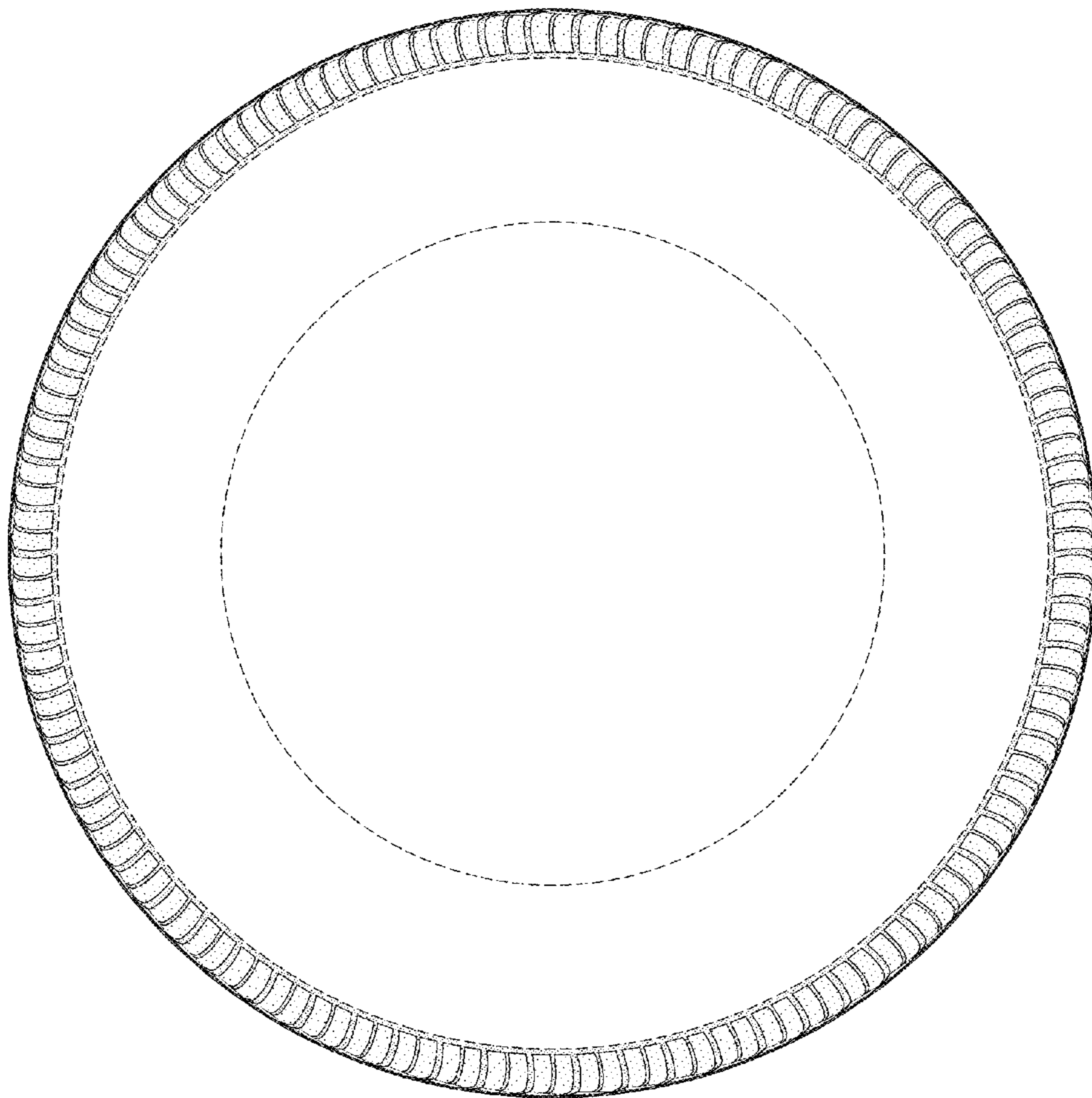


FIG-4

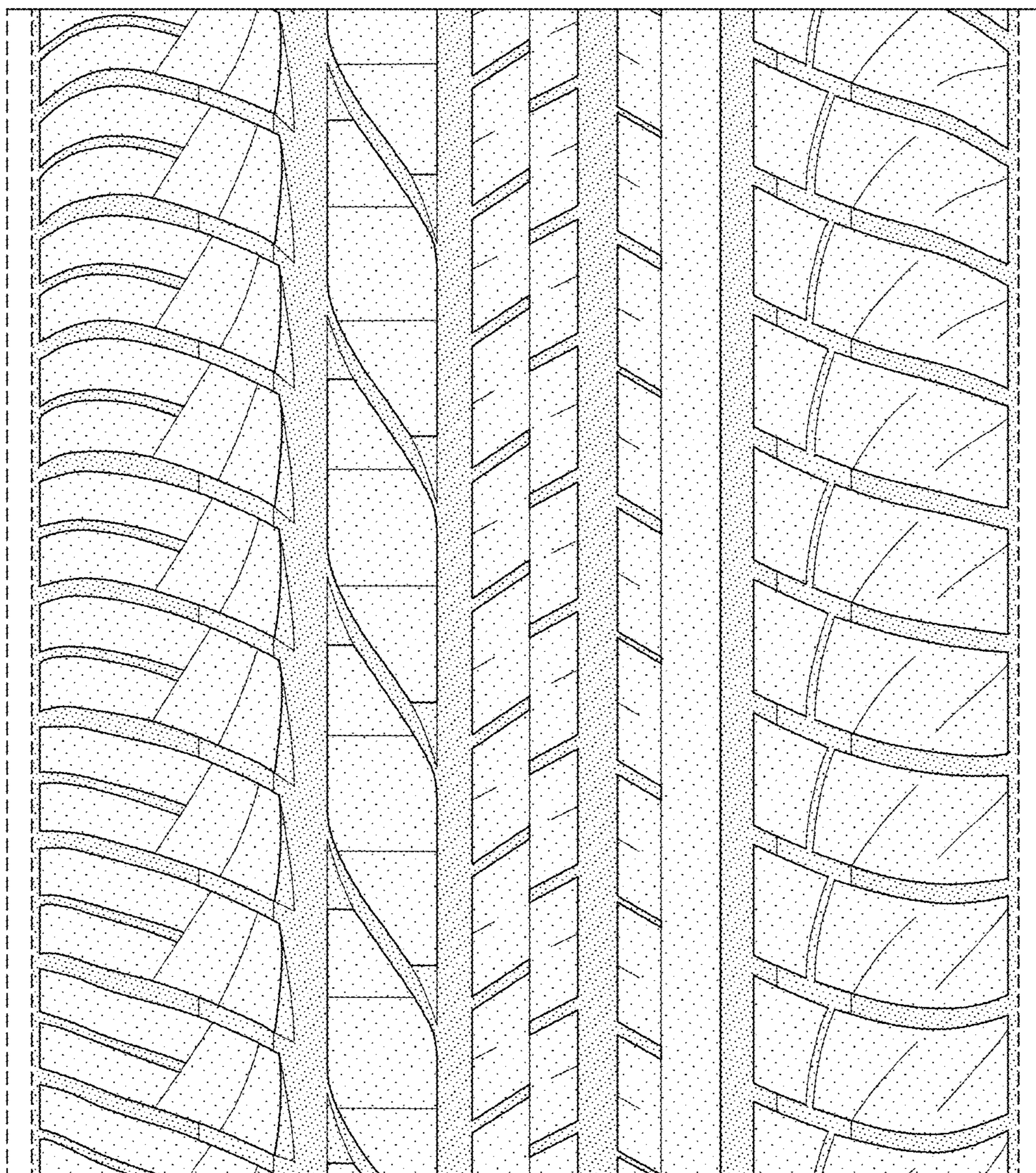


FIG-5

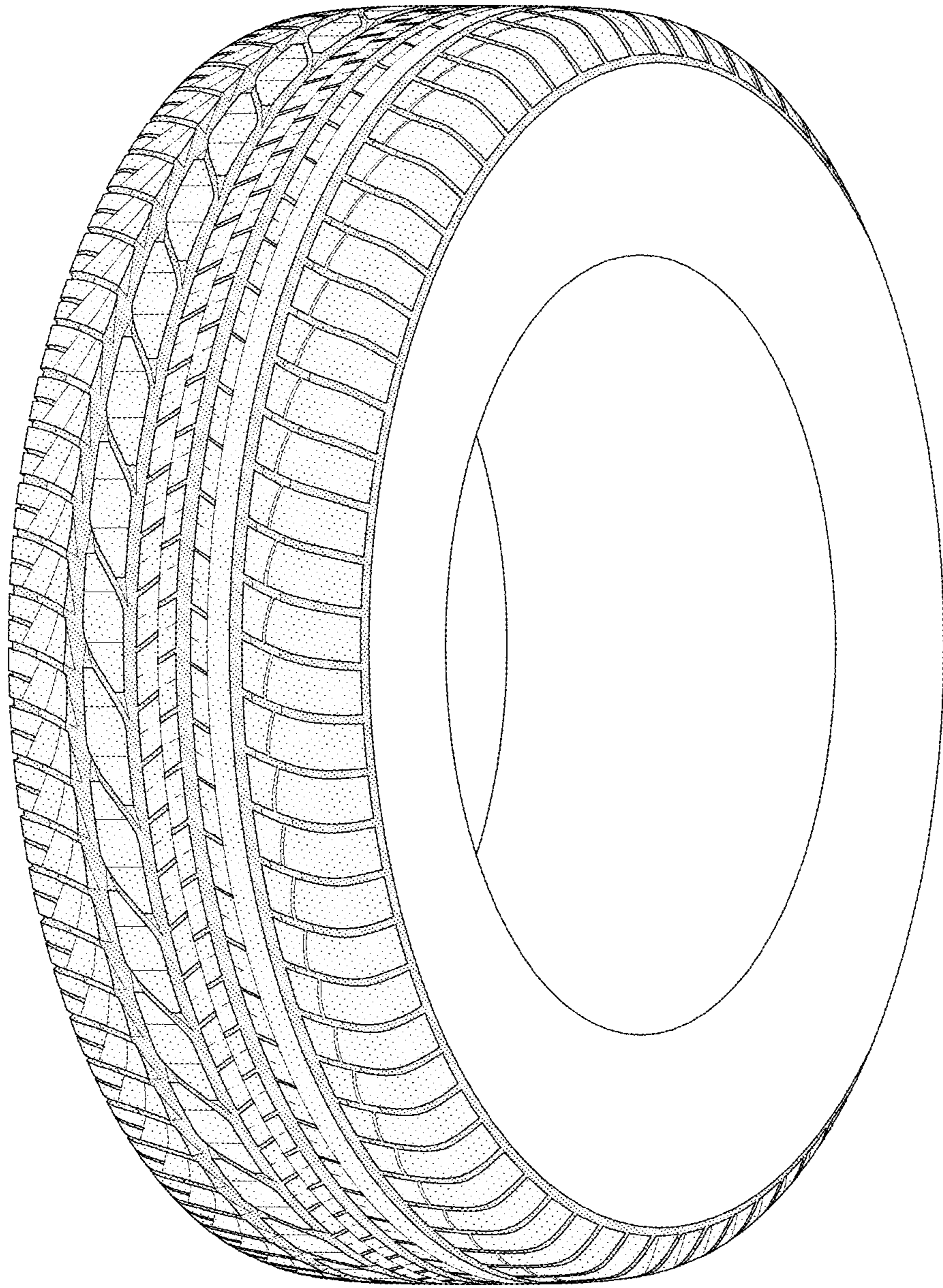


FIG-6

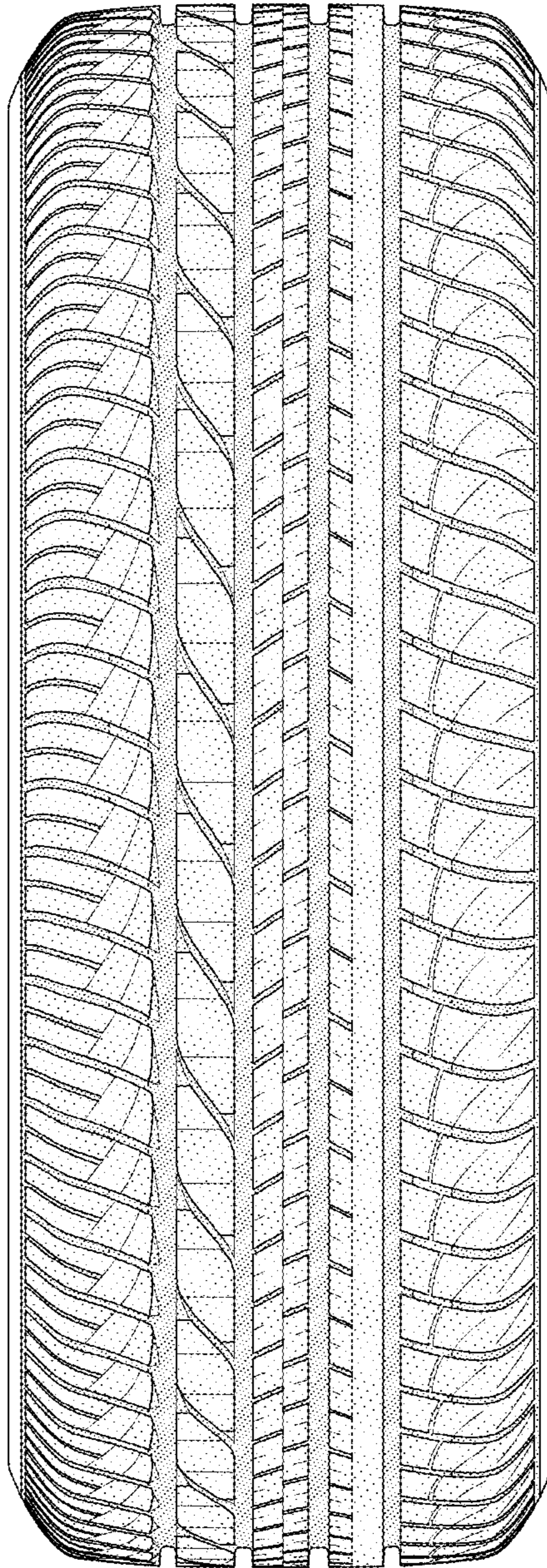


FIG-7