



US00D684916S

(12) **United States Design Patent**
Ashida et al.

(10) **Patent No.:** **US D684,916 S**
(45) **Date of Patent:** **** Jun. 25, 2013**

(54) **ELECTRONIC COMPUTER**

(75) Inventors: **Kenichiro Ashida**, Kyoto (JP); **Masato Ibuki**, Kyoto (JP); **Shinji Yamamoto**, Kyoto (JP); **Fumiyoshi Suetake**, Kyoto (JP); **Akiko Suga**, Kyoto (JP); **Naoya Yamamoto**, Kyoto (JP); **Hitoshi Tsuchiya**, Kyoto (JP); **Junji Takamoto**, Kyoto (JP); **Noboru Wakitani**, Kyoto (JP); **Yasuhisa Kitano**, Kyoto (JP); **Toshiaki Iwao**, Kyoto (JP); **Yuji Hori**, Kyoto (JP); **Takafumi Nishida**, Kyoto (JP); **Hiroki Ikuta**, Kyoto (JP)

(73) Assignee: **Nintendo Co., Ltd.**, Kyoto (JP)

(**) Term: **14 Years**

(21) Appl. No.: **29/407,696**

(22) Filed: **Dec. 1, 2011**

(30) **Foreign Application Priority Data**

Jun. 3, 2011 (JP) 2011-012712
Jun. 3, 2011 (JP) 2011-012713

(51) **LOC (9) Cl.** **21-01**

(52) **U.S. Cl.**
USPC **D12/332; D21/330**

(58) **Field of Classification Search**
USPC .. D21/324, 332, 333, 328; 273/148 B; 463/1, 463/29-35, 46, 47; D14/496; 345/156-161
See application file for complete search history.

(56) **References Cited**

U.S. PATENT DOCUMENTS

D357,684 S * 4/1995 Moreland D14/240
D374,222 S * 10/1996 Brandt D14/471
5,724,332 A * 3/1998 Ogusu 720/628
D393,384 S * 4/1998 Tedesco et al. D6/501
6,540,611 B1 * 4/2003 Nagata 463/31

6,891,721 B2 * 5/2005 Huang 361/679.33
6,955,606 B2 * 10/2005 Taho et al. 463/43
D516,634 S * 3/2006 Man-tat D21/332
D518,823 S 4/2006 Huang
D520,502 S 5/2006 Xu et al.
7,090,582 B2 * 8/2006 Danieli et al. 463/35
D531,228 S 10/2006 Ashida et al.
7,155,604 B2 * 12/2006 Kawai 713/2
D556,835 S * 12/2007 Ashida et al. D21/332
D576,686 S 9/2008 Ashida et al.
D627,400 S * 11/2010 Suetake et al. D21/332
D658,234 S * 4/2012 Mercier et al. D21/332

OTHER PUBLICATIONS

Russian Official Action dated Mar. 19, 2012 (with English translation) for corresponding Russian Design Application No. 2011503738 filed Dec. 2, 2011, (7 pages).
German Publication for Design No. M9205581-0001.1 dated Mar. 19, 2012 (with English translation) (2 pages).
German Publication for Design No. M9206359-0001 dated Mar. 19, 2012 (with English translation) (2 pages).

* cited by examiner

Primary Examiner — Prabhakar Deshmukh

(74) *Attorney, Agent, or Firm* — Nixon & Vanderhye P.C.

(57) **CLAIM**

The ornamental design for an electronic computer, as shown and described.

DESCRIPTION

FIG. 1 is front, left and top perspective view of an electronic computer showing our new design;
FIG. 2 is rear, right and bottom perspective view thereof;
FIG. 3 is a top plan view thereof;
FIG. 4 is a bottom plan view thereof;
FIG. 5 is a front view thereof;
FIG. 6 is a rear view thereof;
FIG. 7 is a left side view thereof; and,
FIG. 8 is a right side view thereof.

1 Claim, 3 Drawing Sheets

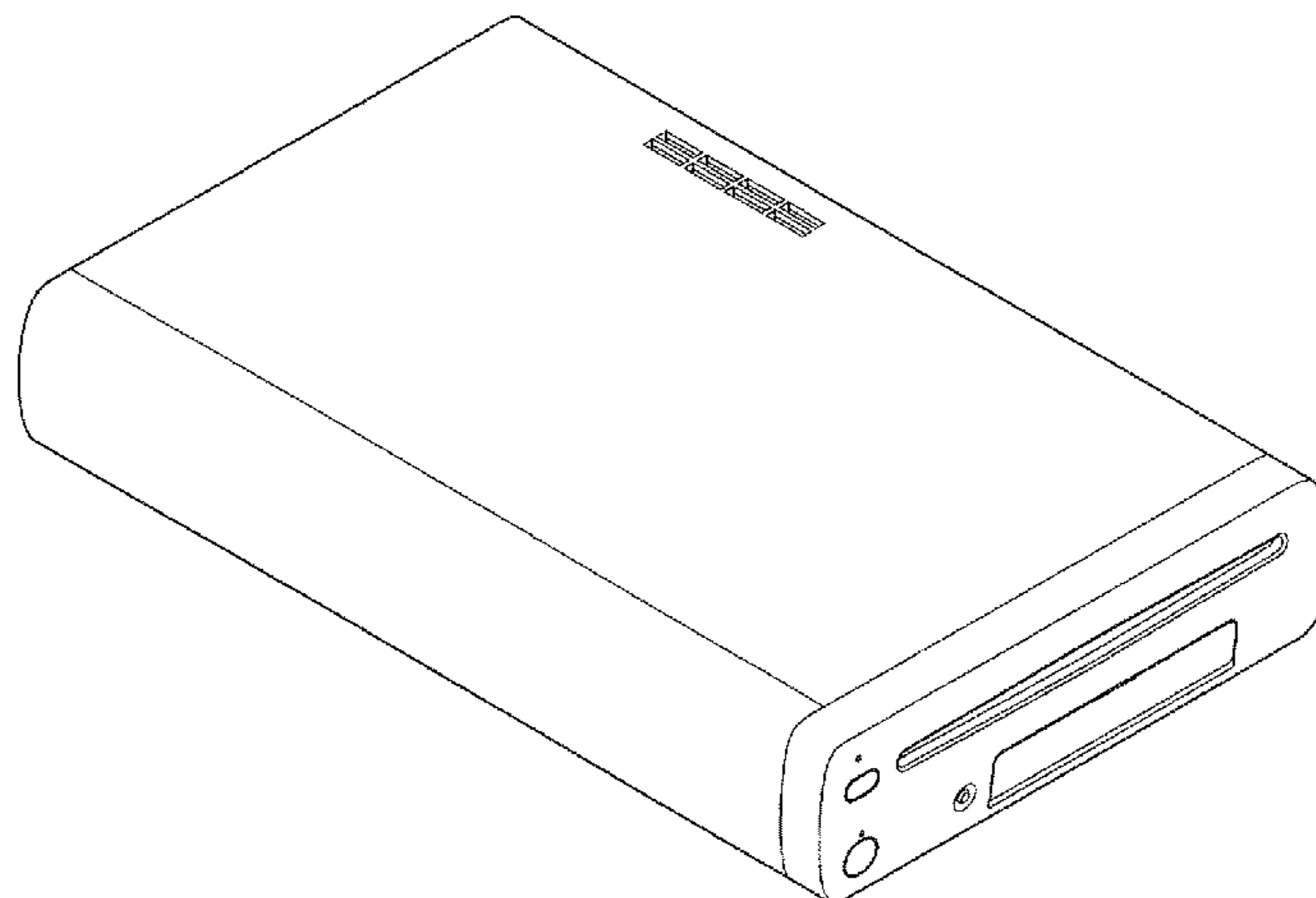


FIG. 1

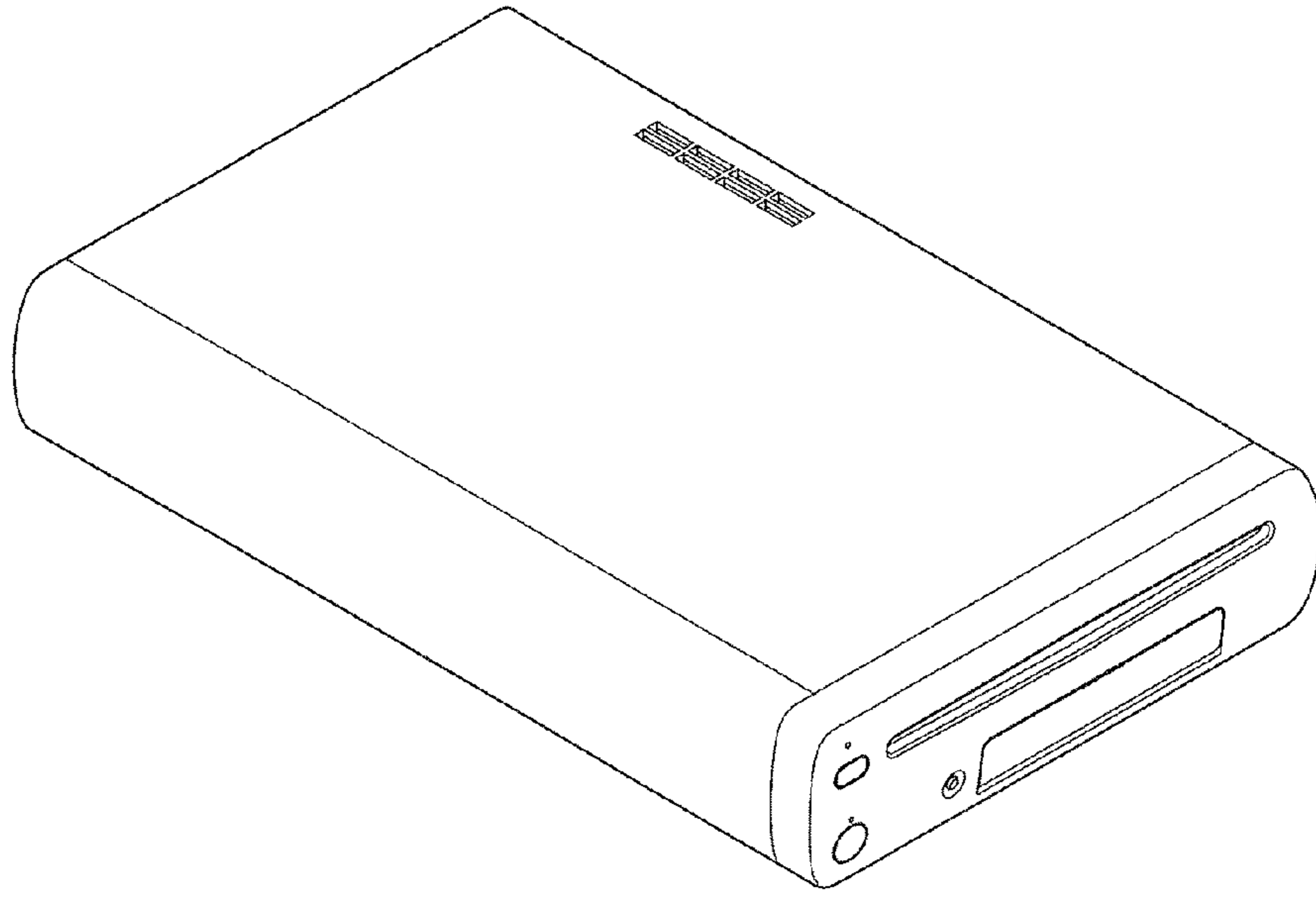


FIG. 2

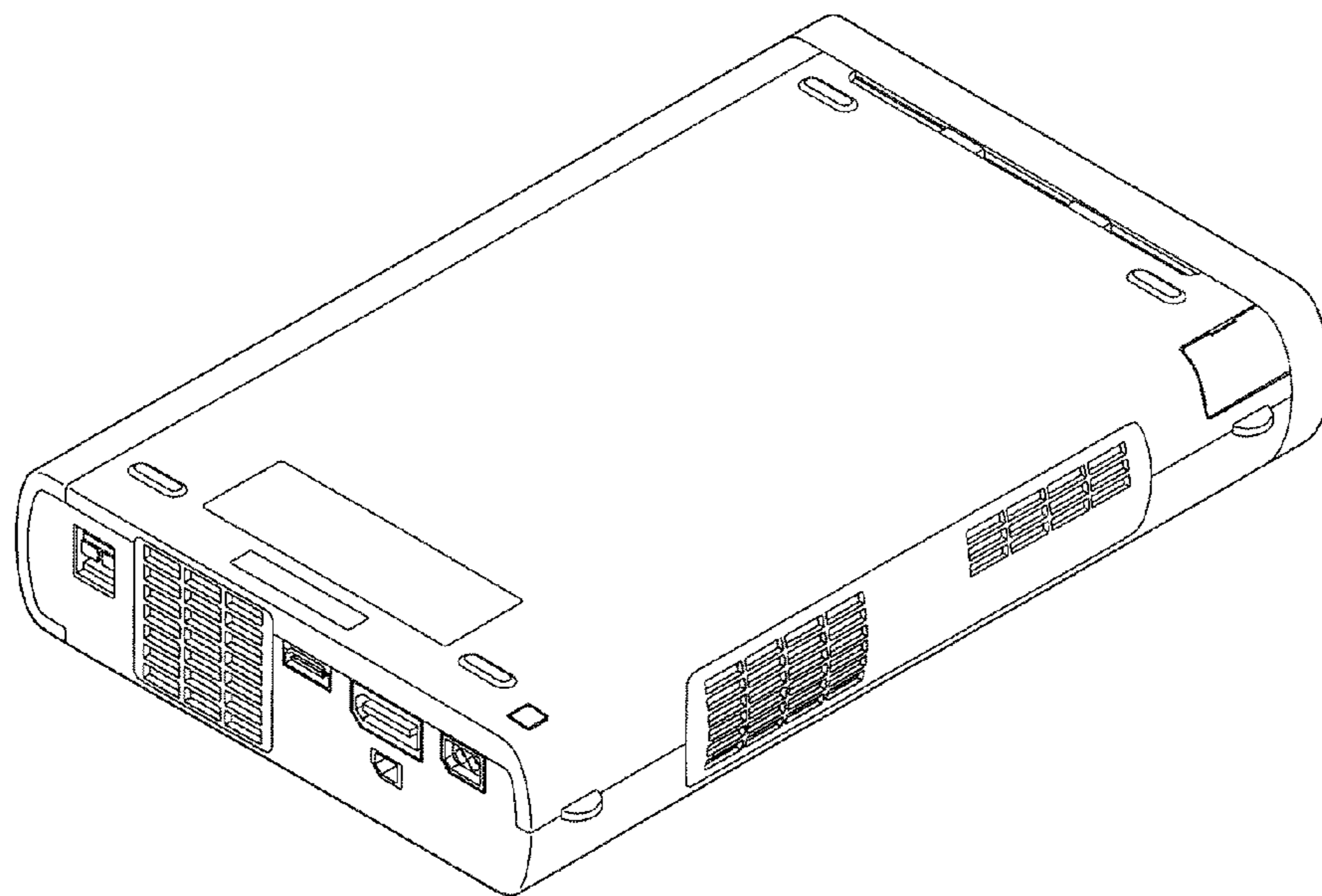


FIG. 3

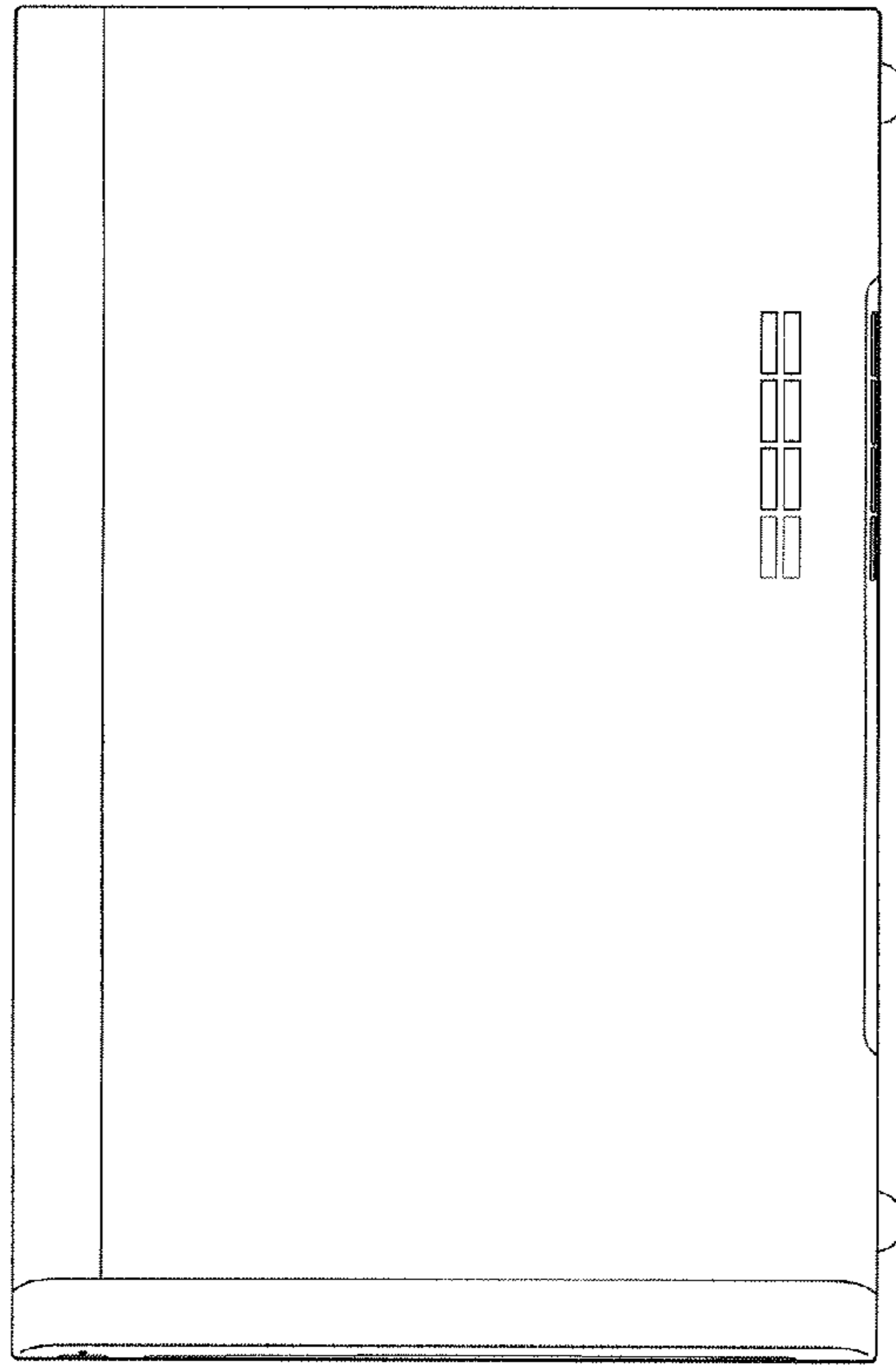


FIG. 4

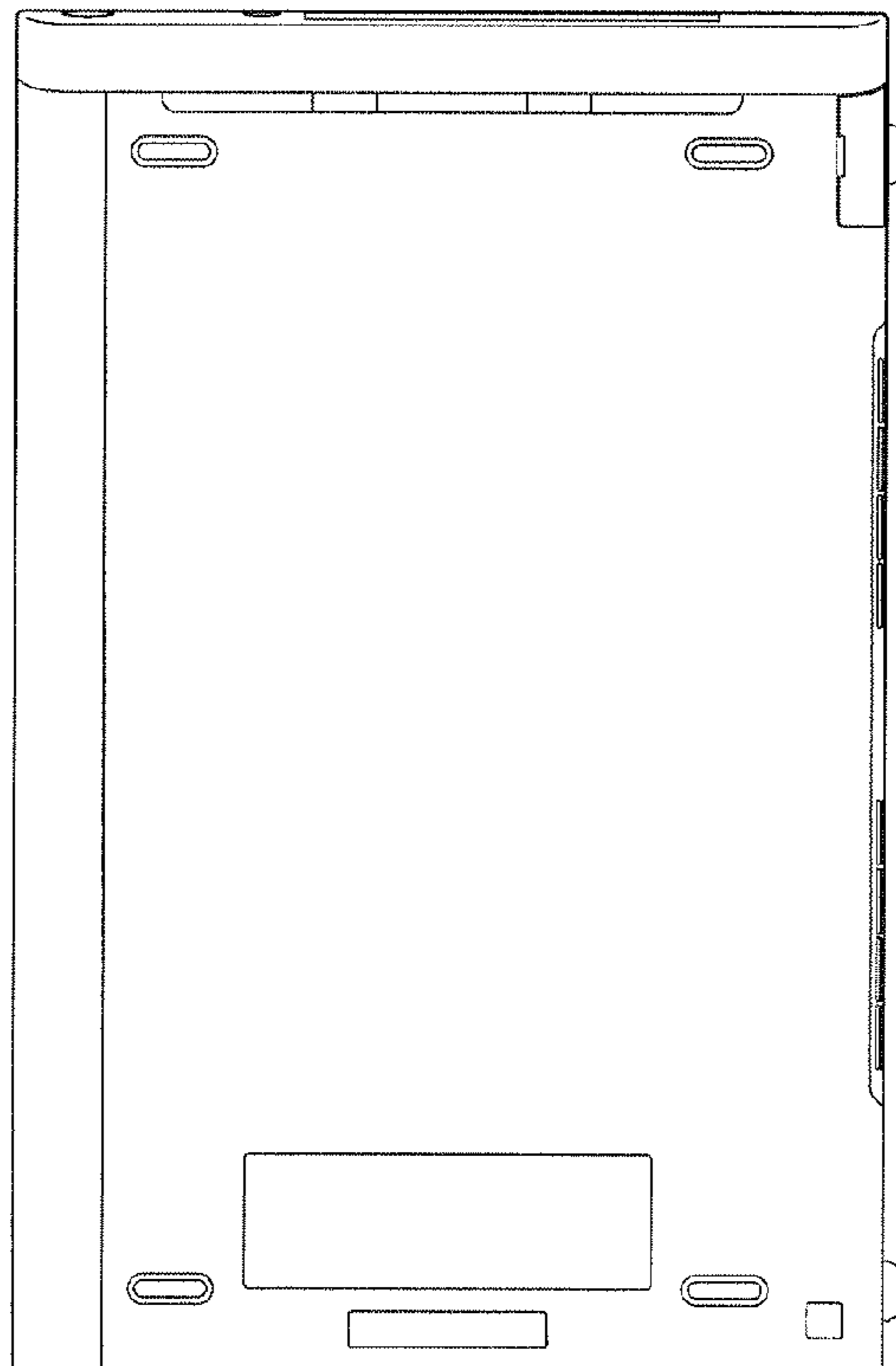


FIG. 5

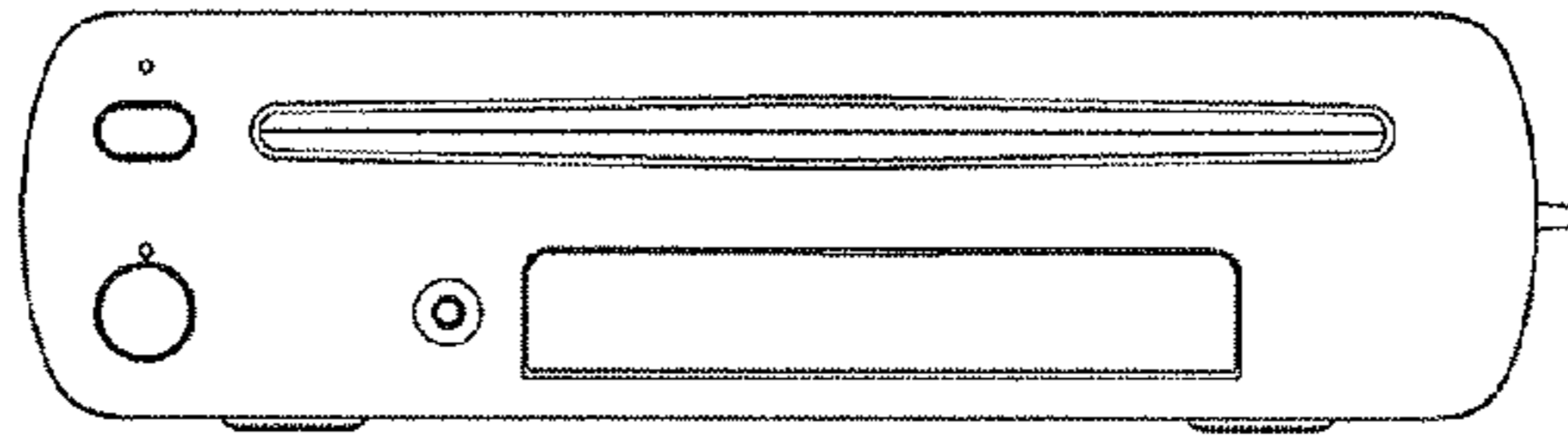


FIG. 6

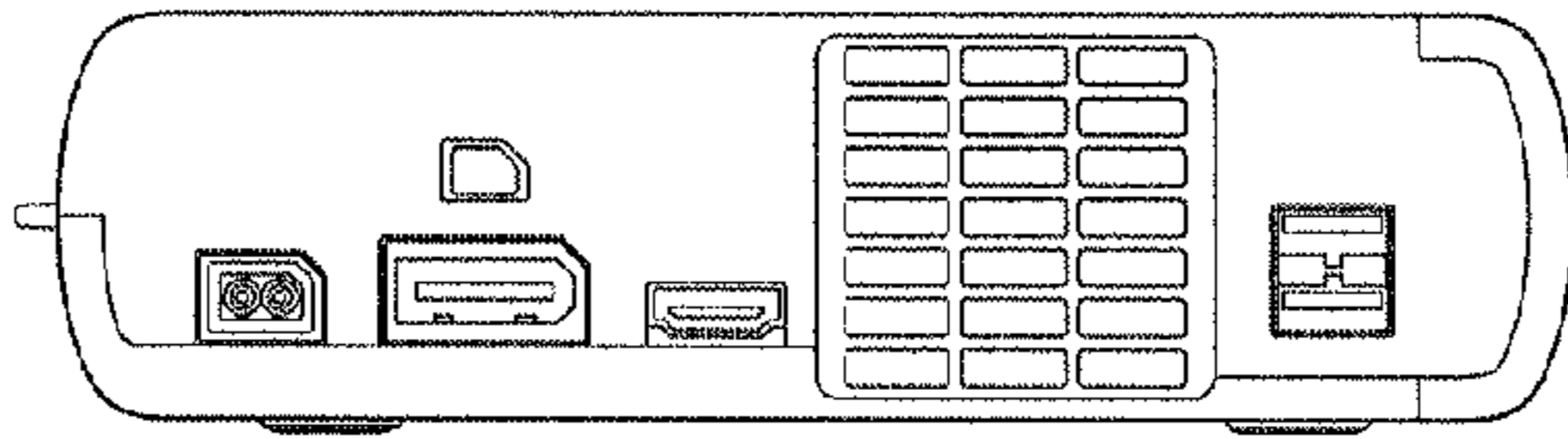


FIG. 7

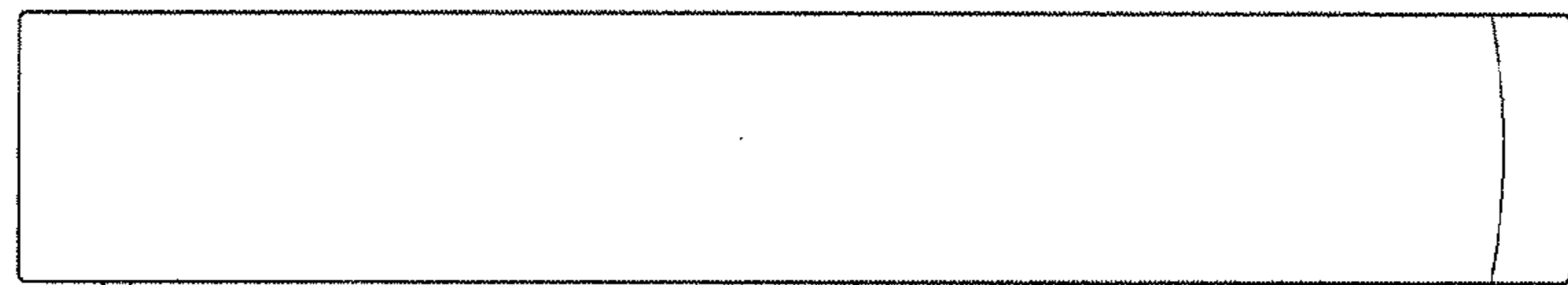


FIG. 8

