



US00D684911S

(12) **United States Design Patent**
Thurber

(10) **Patent No.:** **US D684,911 S**
(45) **Date of Patent:** **** Jun. 25, 2013**

(54) **VEHICLE DECKLID**
(75) Inventor: **Joshua L. Thurber**, New Baltimore, MI (US)
(73) Assignee: **GM Global Technology Operations LLC**, Detroit, MI (US)
(**) Term: **14 Years**

D520,928 S *	5/2006	Matei et al.	D12/196
D529,424 S *	10/2006	Norman et al.	D12/195
D540,234 S *	4/2007	Fujimaki	D12/196
D564,432 S *	3/2008	Pfeiffer	D12/196
D582,824 S *	12/2008	Kobayashi	D12/196
D600,616 S *	9/2009	Mattin et al.	D12/196
7,832,791 B2 *	11/2010	Wojcik et al.	296/146.8
D630,563 S *	1/2011	Schneider	D12/196
D638,338 S *	5/2011	Huet	D12/196
2011/0204674 A1 *	8/2011	Parnell	296/146.4

* cited by examiner

(21) Appl. No.: **29/413,168**
(22) Filed: **Feb. 13, 2012**
(51) **LOC (9) Cl.** **12-16**
(52) **U.S. Cl.**
USPC **D12/196**
(58) **Field of Classification Search**
USPC D12/56, 90, 91, 92, 159, 196; 296/56,
296/146.4, 146.8, 180.1, 180.5
See application file for complete search history.

Primary Examiner — Philip S Hyder
Assistant Examiner — Darlington Ly
(74) *Attorney, Agent, or Firm* — Parks IP Law LLC; Mickki D. Murray

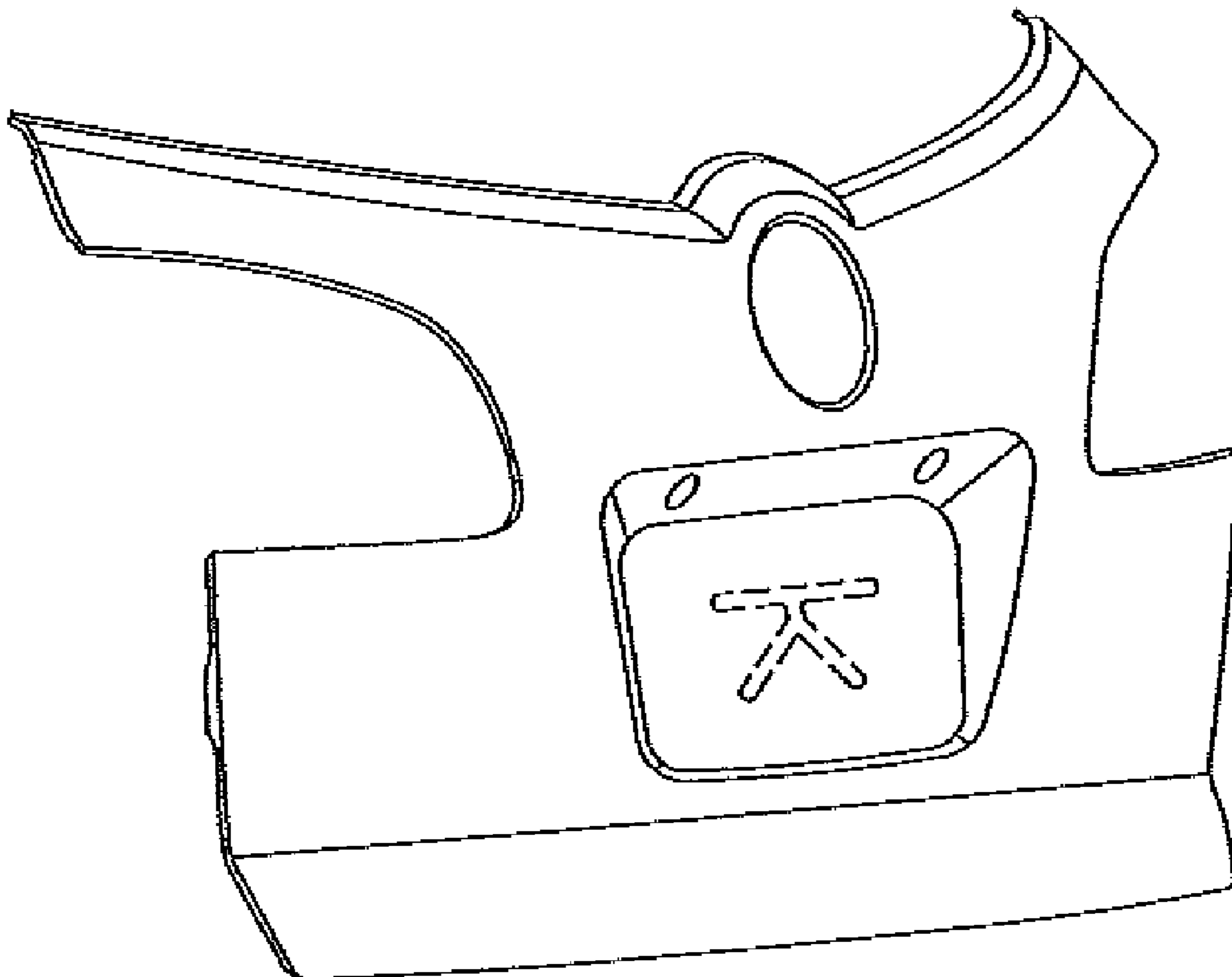
(57) **CLAIM**
The ornamental design for a vehicle decklid, as shown and described.

DESCRIPTION

FIG. 1 is a perspective view of a vehicle decklid showing my new design;
FIG. 2 is a front view, thereof;
FIG. 3 is a side view, thereof; and,
FIG. 4 is a top plan view, thereof.

1 Claim, 1 Drawing Sheet

(56) **References Cited**
U.S. PATENT DOCUMENTS
D491,855 S * 6/2004 Velazco D12/196
6,860,537 B2 * 3/2005 Seksaria et al. 296/56
D507,219 S * 7/2005 Boyer D12/196



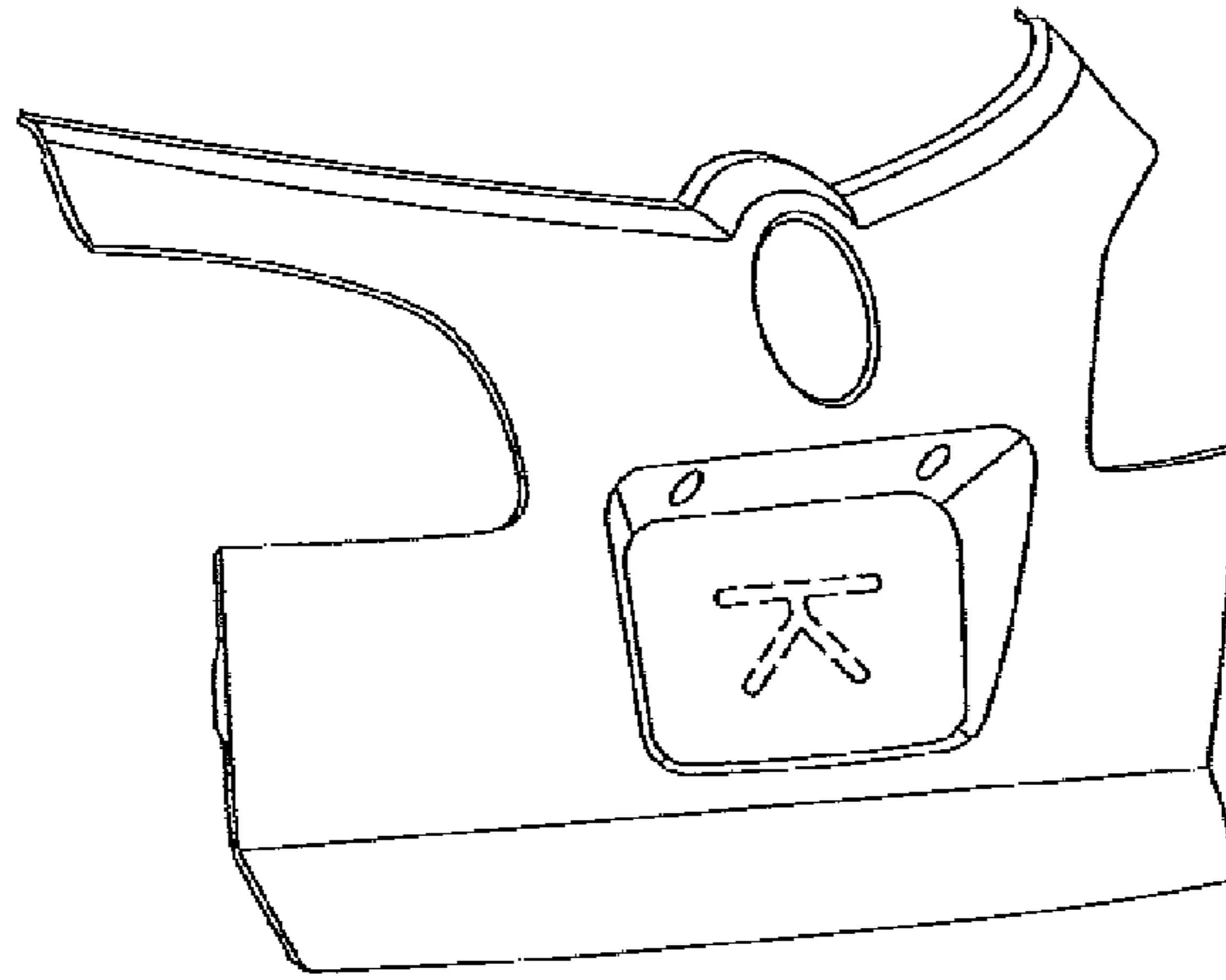


Fig-1

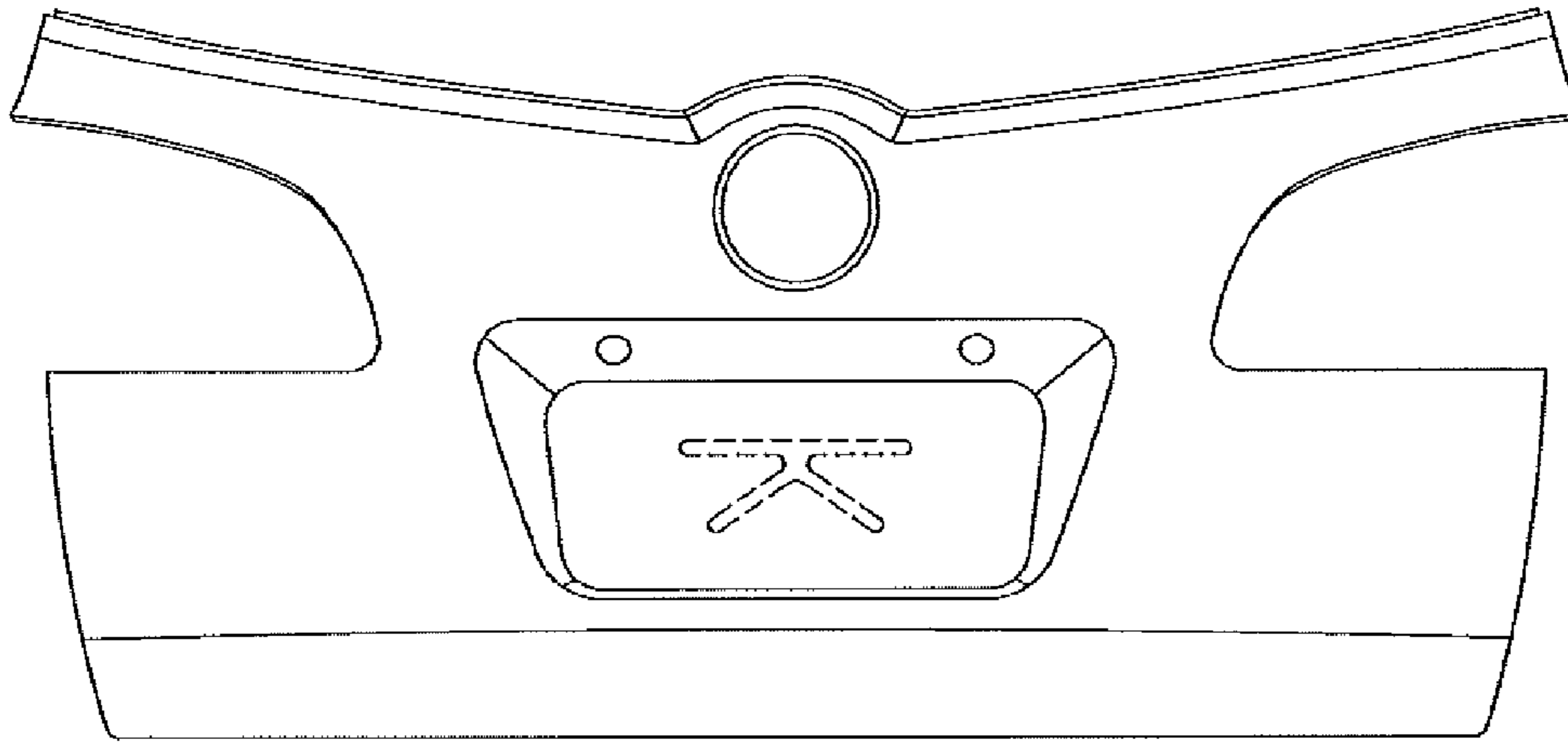


Fig-2

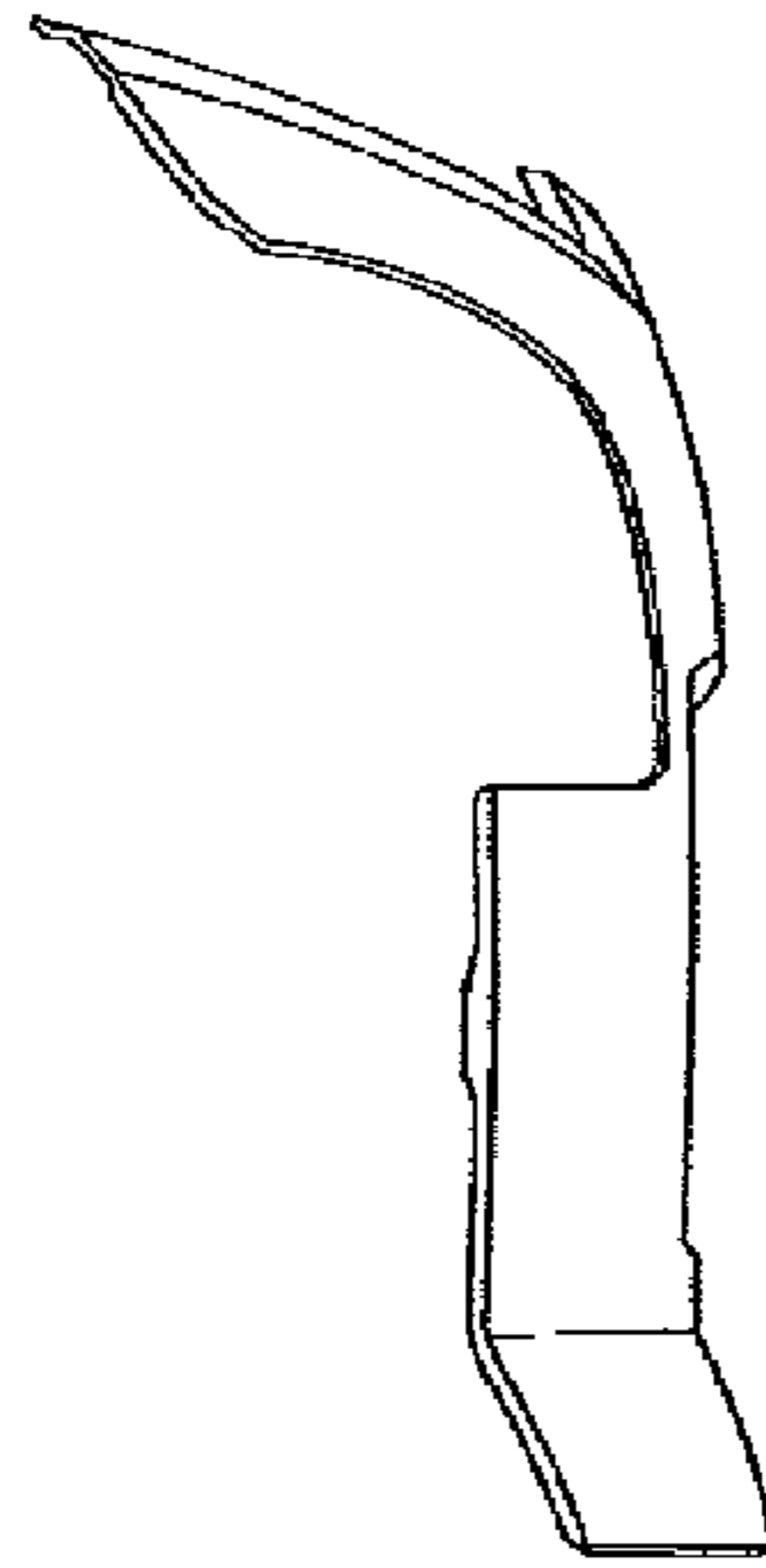


Fig-3

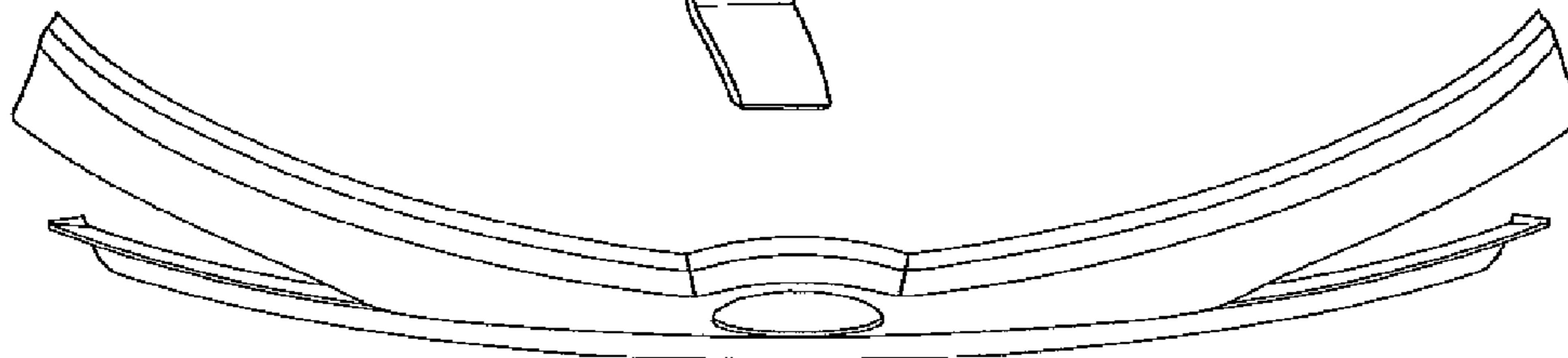


Fig-4