



US00D684905S

(12) **United States Design Patent**
Tase et al.

(10) **Patent No.:** **US D684,905 S**
(45) **Date of Patent:** **** Jun. 25, 2013**

(54) **REAR BUMPER FOR AUTOMOBILE**

(75) Inventors: **Nobutaka Tase**, Kanagawa (JP);
Kazunori Murabayashi, Tokyo (JP)

(73) Assignee: **Nissan Motor Co., Ltd.**, Yokohama (JP)

(**) Term: **14 Years**

(21) Appl. No.: **29/415,967**

(22) Filed: **Mar. 16, 2012**

(30) **Foreign Application Priority Data**

Feb. 3, 2012 (JP) 2012-002249

(51) **LOC (9) Cl.** **12-16**

(52) **U.S. Cl.**
USPC **D12/169**

(58) **Field of Classification Search**
USPC D12/163, 171, 196, 216, 90-92,
D12/86, 164, 169; 293/102, 103, 105, 112,
293/113, 115, 117; 296/180.1, 180.2
See application file for complete search history.

(56) **References Cited**

U.S. PATENT DOCUMENTS

- D557,177 S 12/2007 Endo et al.
- D610,503 S * 2/2010 Bucher et al. D12/169
- D637,535 S * 5/2011 Yukawa et al. D12/169
- D640,613 S * 6/2011 Bauer et al. D12/169
- D644,575 S * 9/2011 Messale D12/169
- D651,143 S * 12/2011 Murakawa et al. D12/169
- D651,541 S * 1/2012 Okumoto et al. D12/169
- D659,605 S * 5/2012 Varga D12/169

- D671,054 S * 11/2012 Yamada et al. D12/169
- D671,055 S * 11/2012 Nakamura et al. D12/169
- D673,088 S * 12/2012 Thompson D12/169
- D675,140 S * 1/2013 Ohkoshi D12/169

FOREIGN PATENT DOCUMENTS

- JP D1297374 S 4/2007
- JP D1297371 S 3/2008

* cited by examiner

Primary Examiner — Melody Brown

(74) *Attorney, Agent, or Firm* — Global IP Counselors, LLP

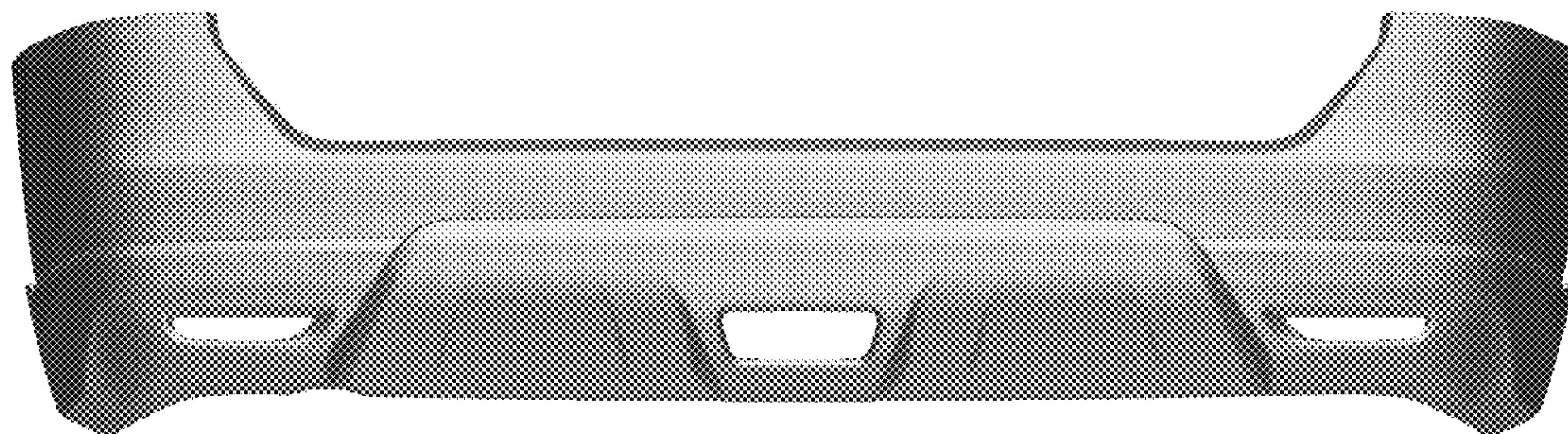
(57) **CLAIM**

The ornamental design for a rear bumper for an automobile, as shown and described.

DESCRIPTION

FIG. 1 is a front elevational view of a front bumper for an automobile showing our new design;
 FIG. 2 is a top plan view thereof;
 FIG. 3 is a bottom plan view thereof;
 FIG. 4 is a right side elevational view thereof;
 FIG. 5 is a left side elevational view thereof;
 FIG. 6 is a top, front and right side perspective view thereof;
 and,
 FIG. 7 is a bottom, front and left side perspective view thereof.
 The rear view of the rear bumper forms no part of the claimed design.

1 Claim, 7 Drawing Sheets



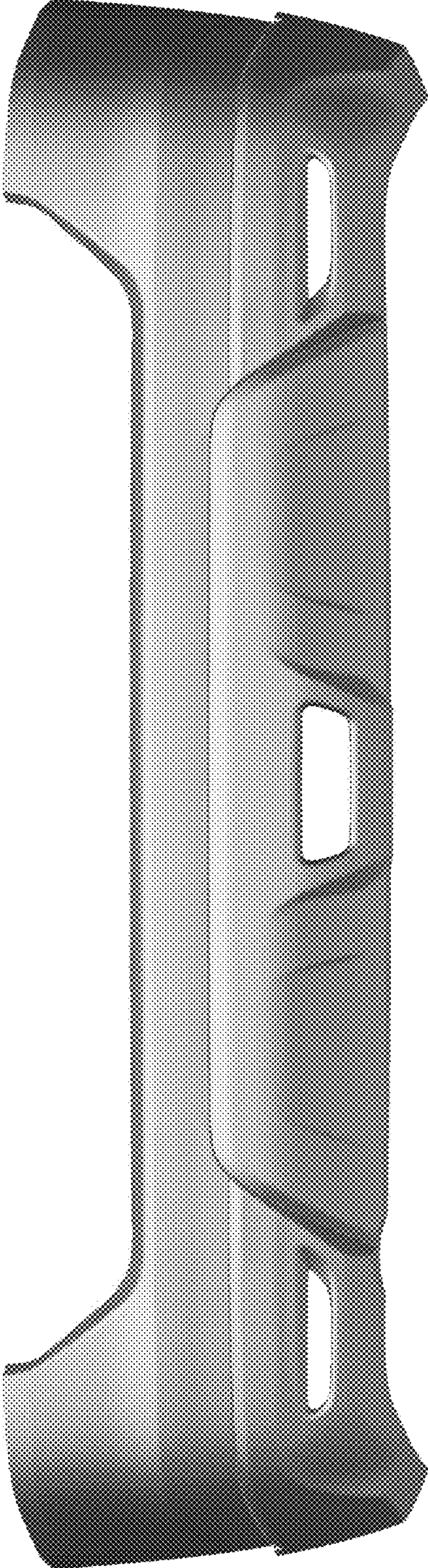


FIG. 1

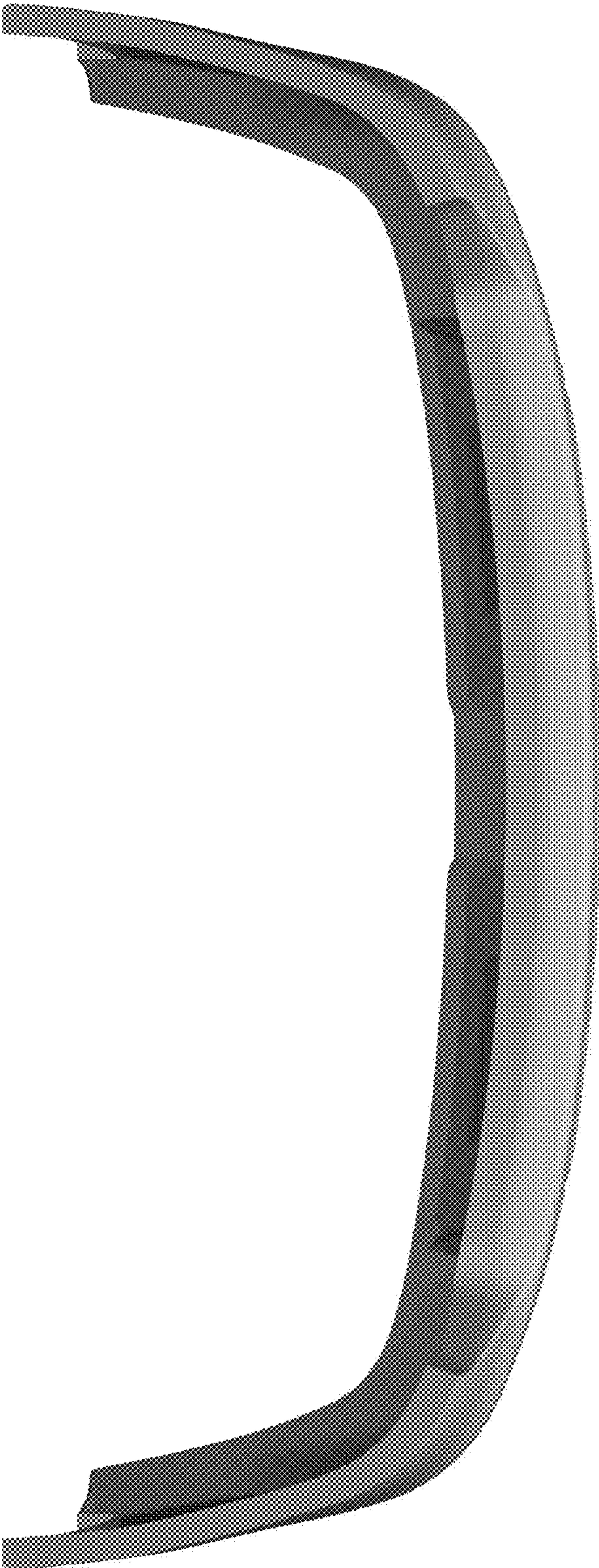


FIG. 2

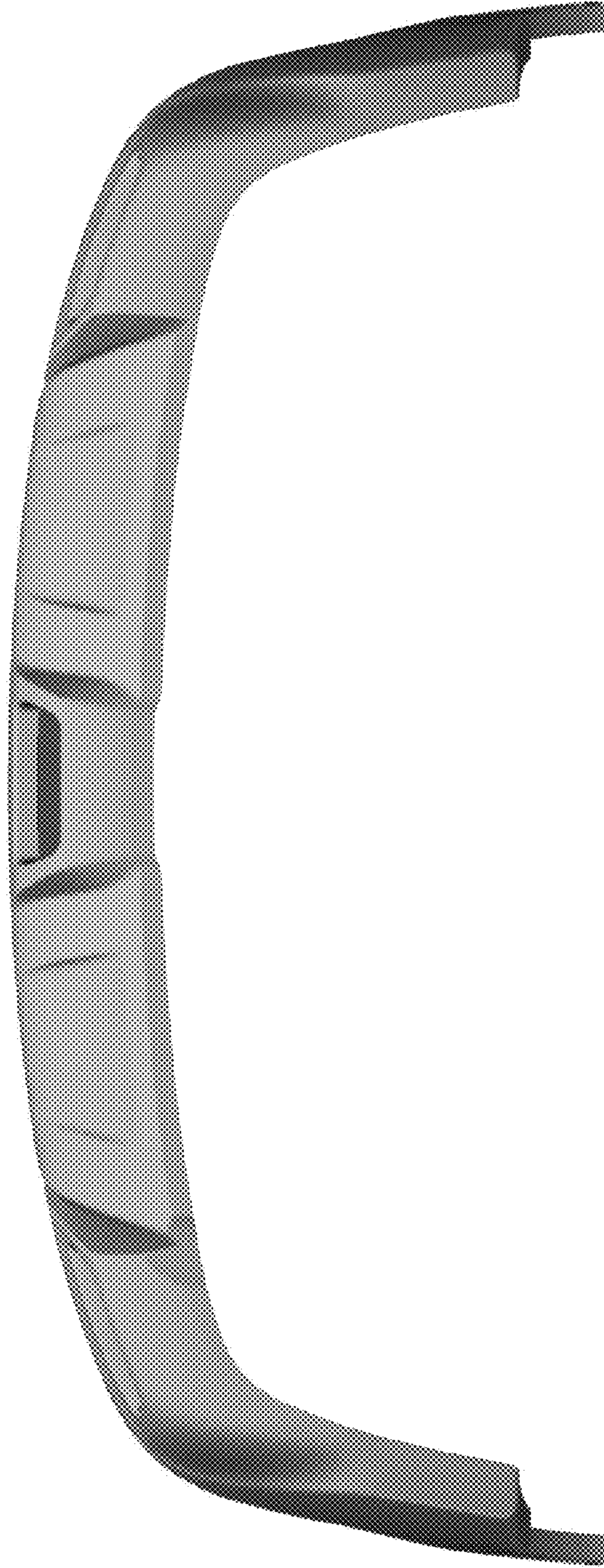


FIG. 3

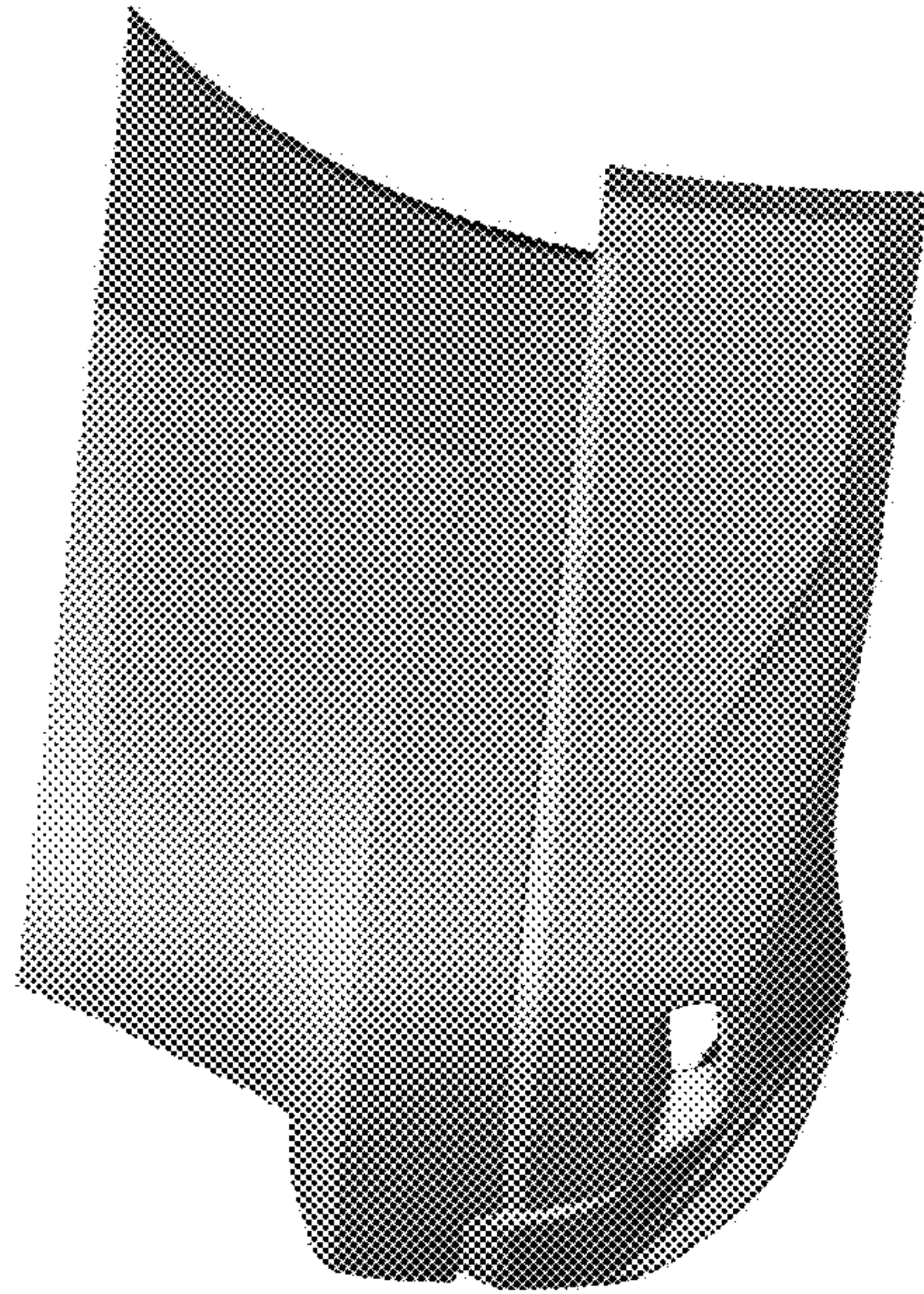


FIG. 4

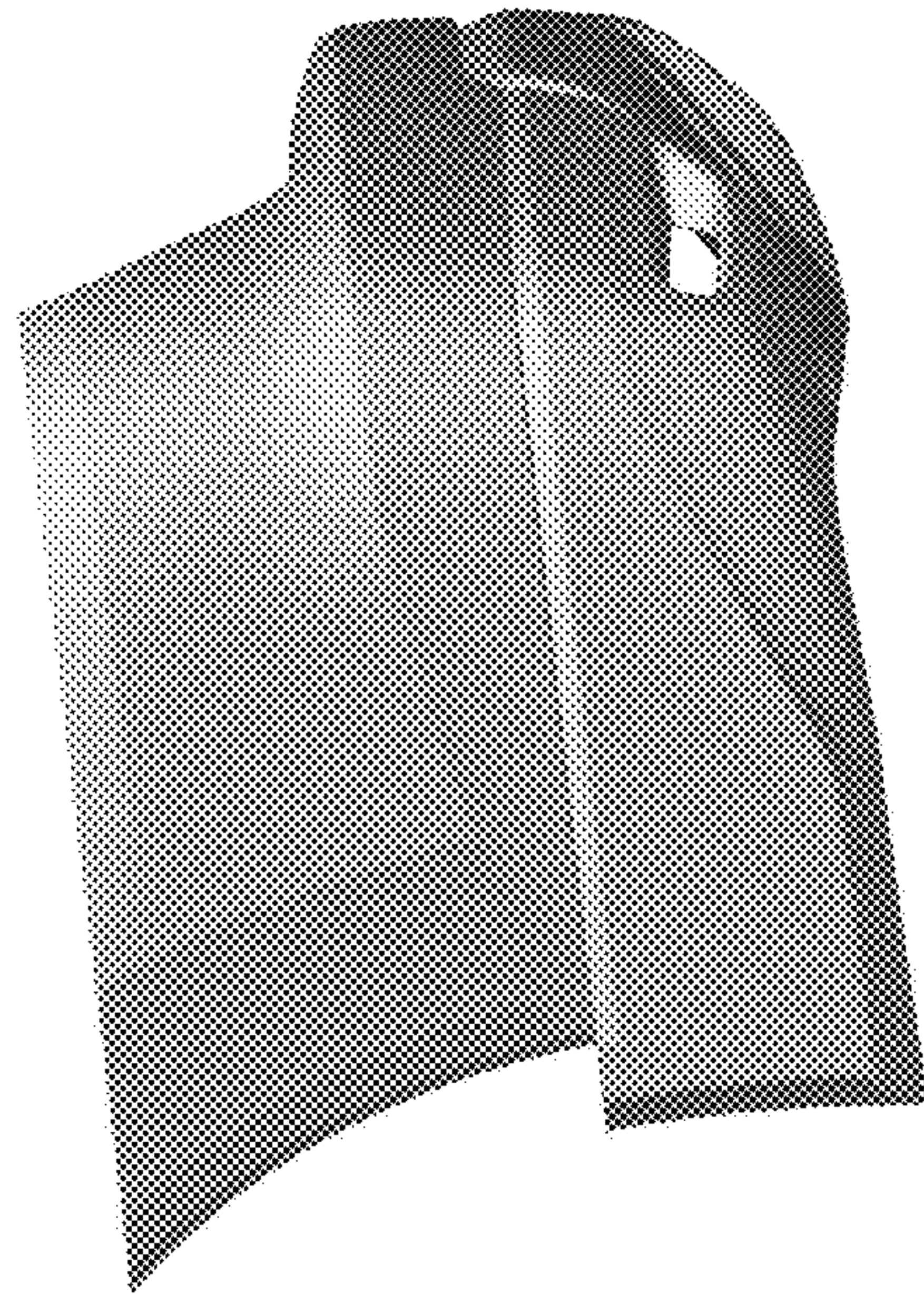


FIG. 5

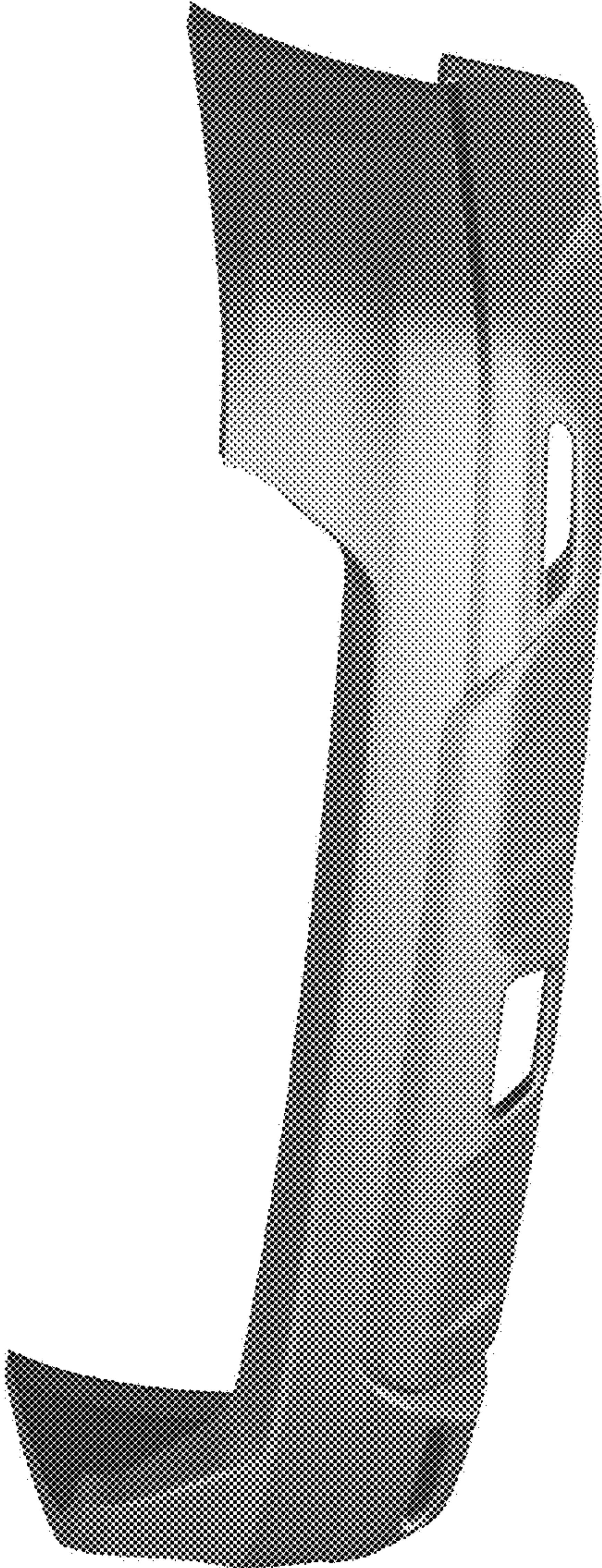


FIG. 6

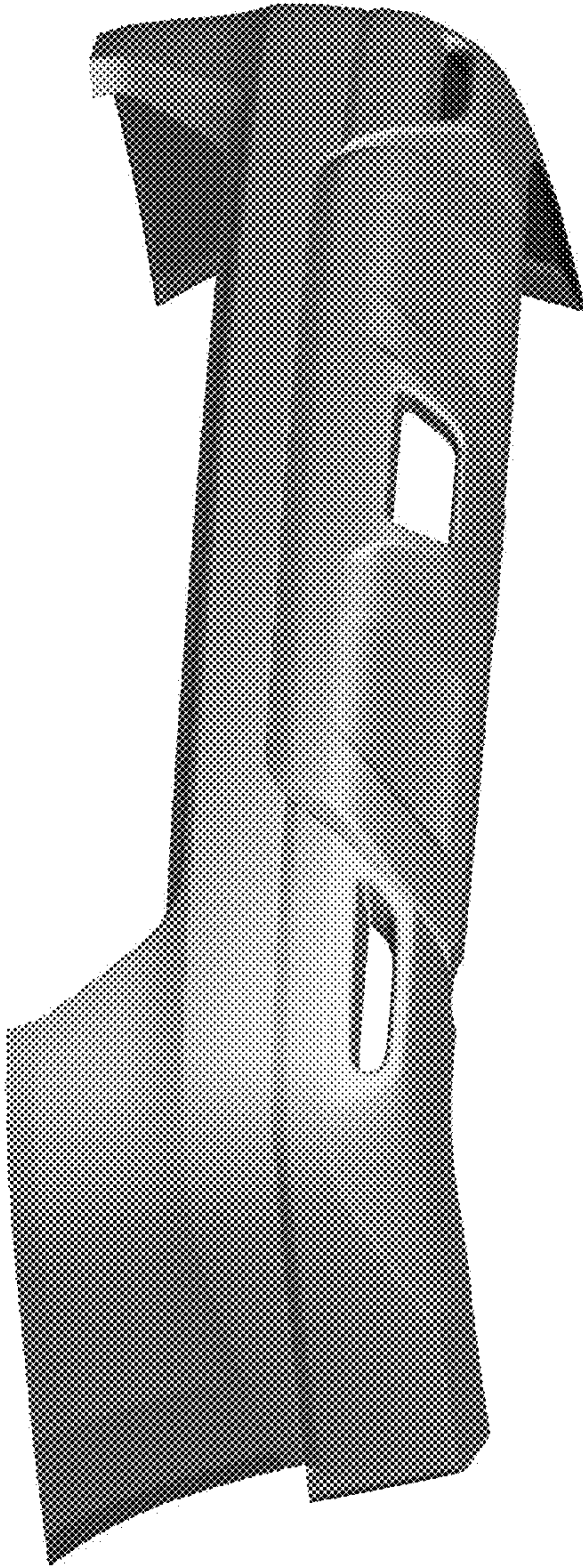


FIG. 7