



US00D684904S

(12) **United States Design Patent**  
**Tase et al.**

(10) **Patent No.:** **US D684,904 S**  
(45) **Date of Patent:** **\*\* Jun. 25, 2013**

(54) **FRONT BUMPER FOR AUTOMOBILE**  
(75) Inventors: **Nobutaka Tase**, Kanagawa (JP);  
**Kazunori Murabayashi**, Tokyo (JP)  
(73) Assignee: **Nissan Motor Co., Ltd.**, Yokohama (JP)  
(\*\*) Term: **14 Years**  
(21) Appl. No.: **29/415,965**  
(22) Filed: **Mar. 16, 2012**

D647,437 S \* 10/2011 Varga ..... D12/169  
D659,607 S \* 5/2012 Robinson ..... D12/169  
D659,611 S \* 5/2012 Kobayashi et al. .... D12/169  
D668,190 S \* 10/2012 Koman et al. .... D12/169  
D671,053 S \* 11/2012 Yamada et al. .... D12/169  
D679,226 S \* 4/2013 Schmeckpeper ..... D12/169

**FOREIGN PATENT DOCUMENTS**

EM 001226856-0004 9/2010

\* cited by examiner

*Primary Examiner* — Melody Brown

(74) *Attorney, Agent, or Firm* — Global IP Counselors, LLP

(30) **Foreign Application Priority Data**  
Feb. 3, 2012 (JP) ..... 2012-002248  
(51) **LOC (9) Cl.** ..... **12-16**  
(52) **U.S. Cl.**  
USPC ..... **D12/169**  
(58) **Field of Classification Search**  
USPC ..... D12/163, 171, 196, 216, 90–92,  
D12/86, 164, 169; 293/102, 103, 105, 112,  
293/113, 115, 117; 296/180.1, 180.2  
See application file for complete search history.

(57) **CLAIM**

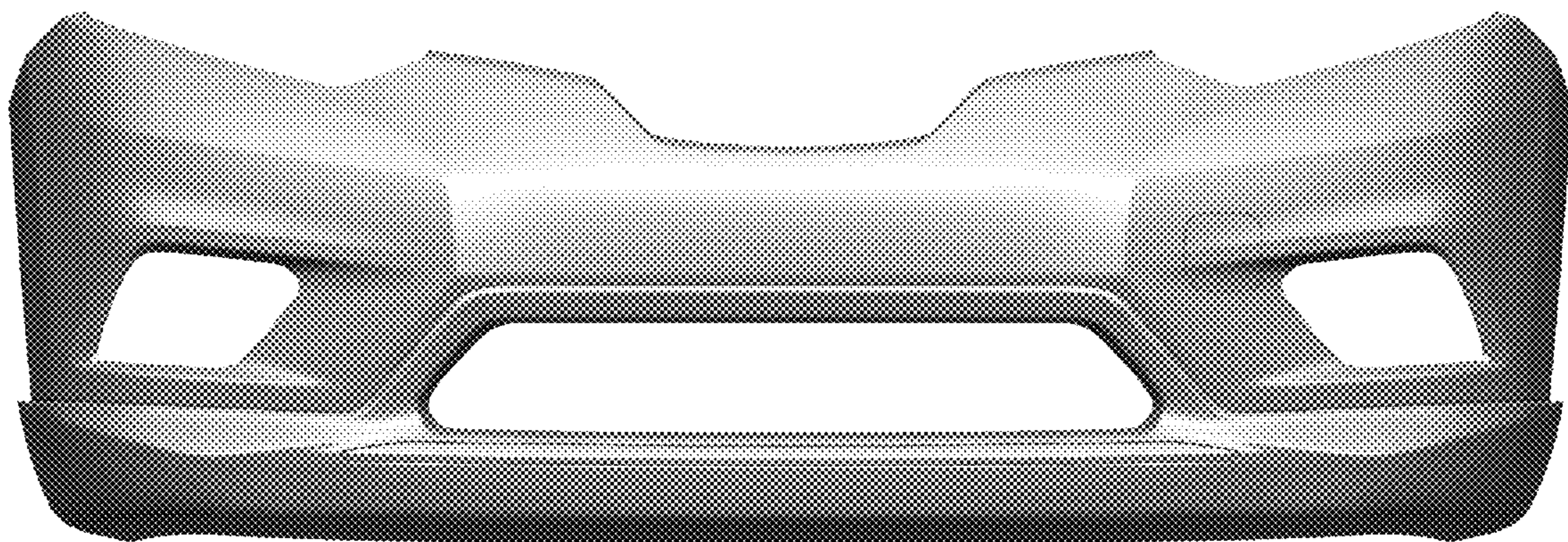
The ornamental design for a front bumper for an automobile, as shown and described.

**DESCRIPTION**

FIG. 1 is a front elevational view of a front bumper for an automobile showing our new design; FIG. 2 is a top plan view thereof; FIG. 3 is a bottom plan view thereof; FIG. 4 is a left side elevational view thereof; FIG. 5 is a right side elevational view thereof; and, FIG. 6 is a top, front and left side perspective view thereof. The rear view of the front bumper forms no part of the claimed design.

(56) **References Cited**  
**U.S. PATENT DOCUMENTS**  
D555,053 S 11/2007 Endo et al.  
D583,727 S \* 12/2008 Sonoda et al. .... D12/169  
D634,680 S 3/2011 Iida

**1 Claim, 6 Drawing Sheets**



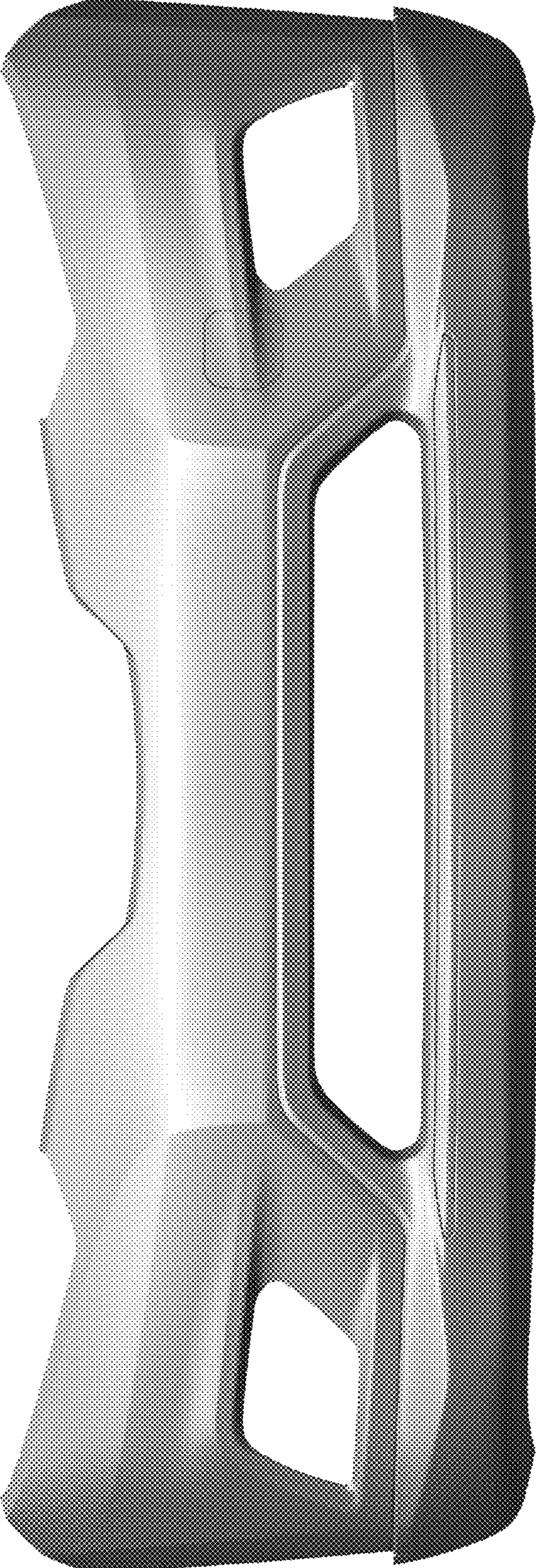


FIG. 1



FIG. 2



FIG. 3

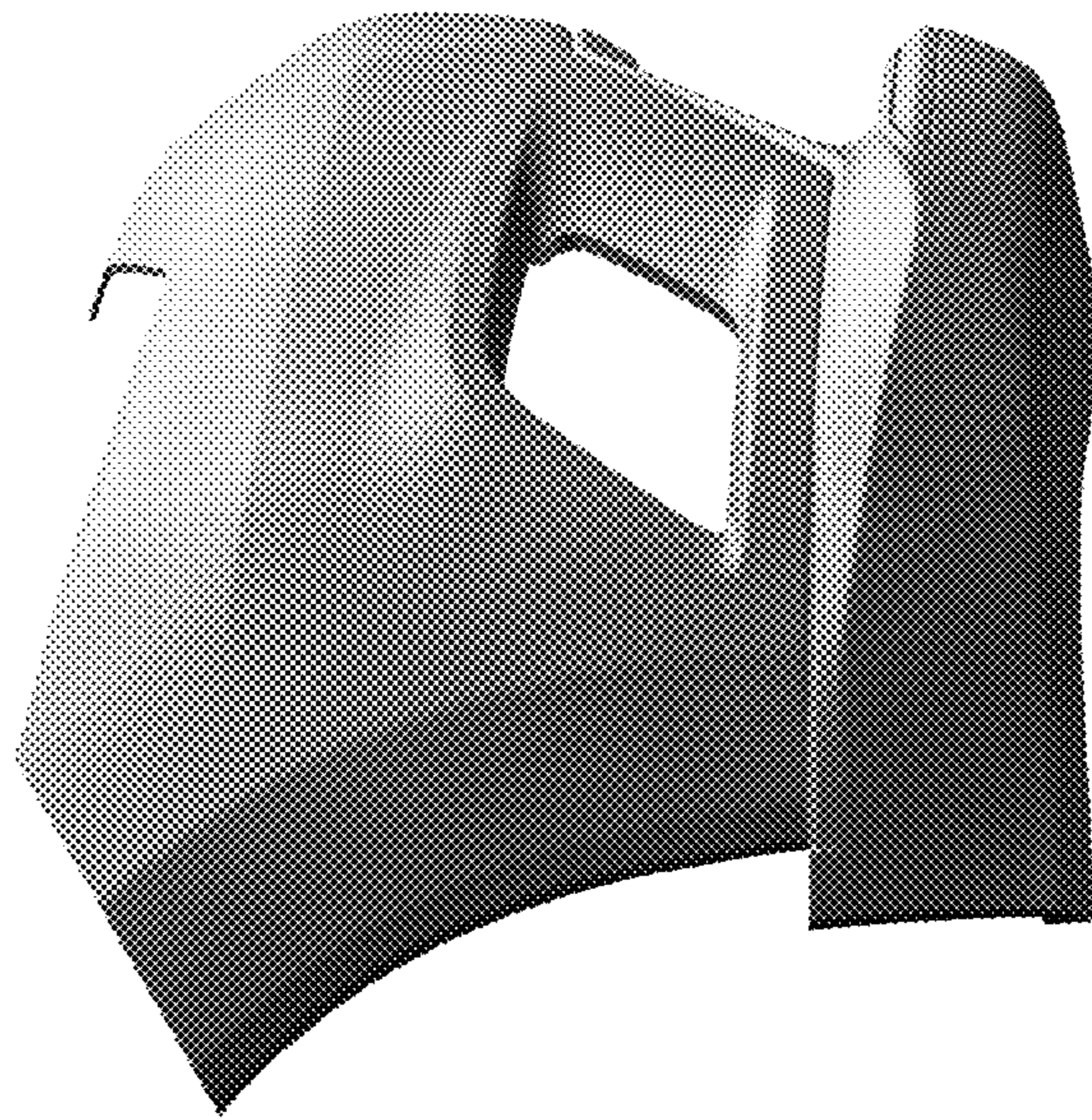


FIG. 4

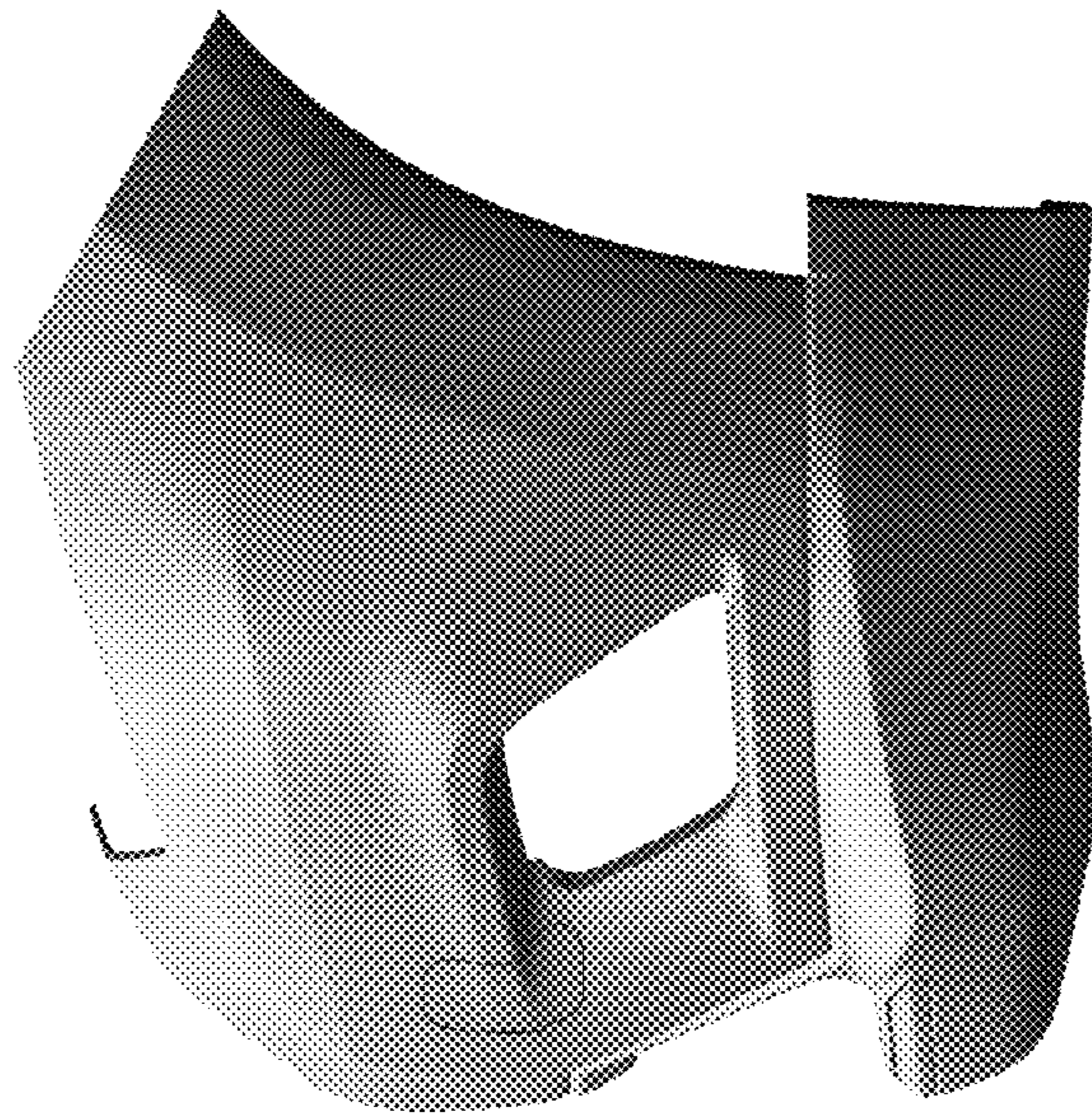


FIG. 5

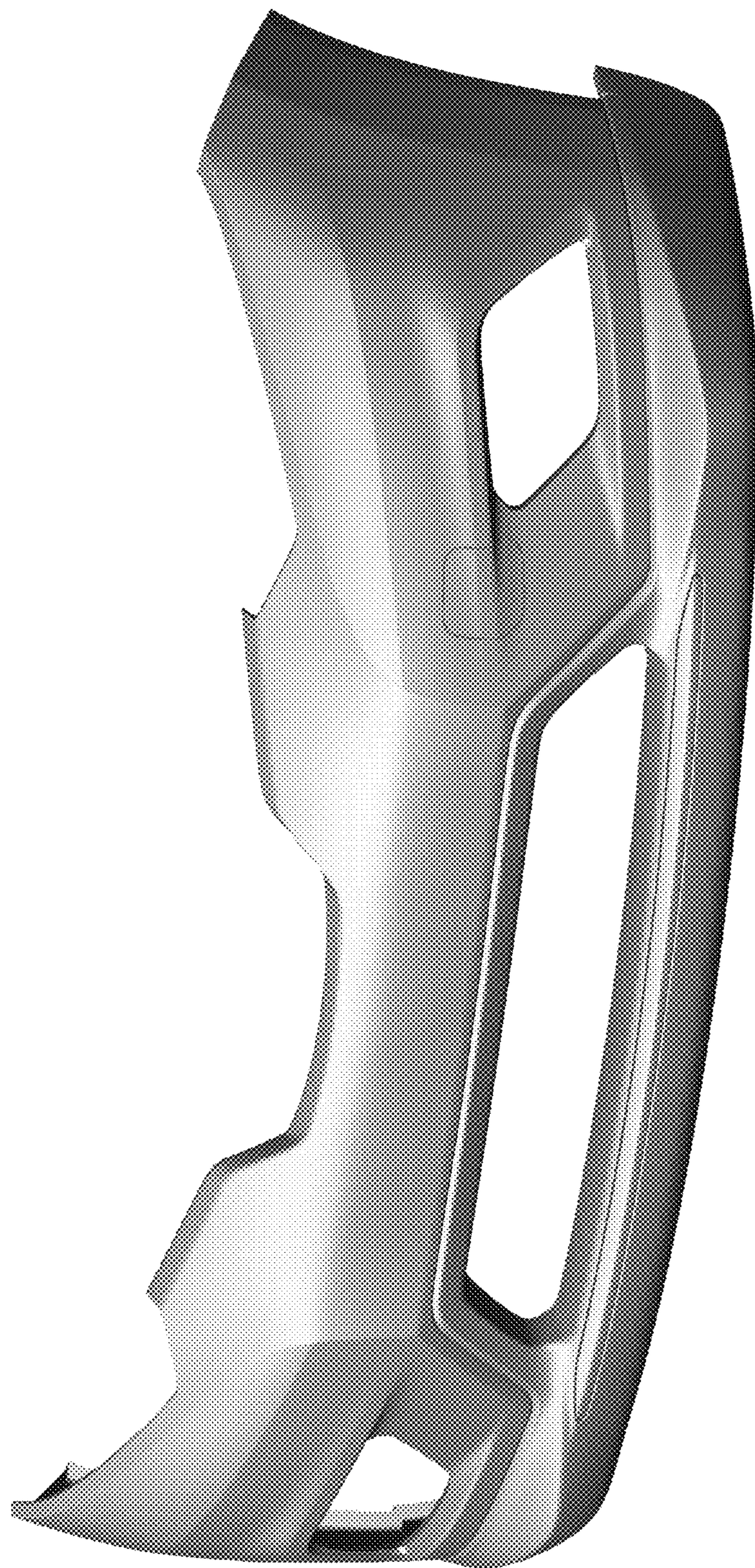


FIG. 6