



US00D684901S

(12) **United States Design Patent**
Chiu et al.

(10) **Patent No.:** **US D684,901 S**
(45) **Date of Patent:** **** Jun. 25, 2013**

(54) **MOTORCYCLE**

D603,300 S * 11/2009 Fukuyama et al. D12/110

(75) Inventors: **Alag Chiu**, Taichung (TW); **Encore Wei**, Taichung (TW)

* cited by examiner

(73) Assignee: **UM International, LLC**

Primary Examiner — Susan M Lee

Assistant Examiner — Linda G Brooks

(**) Term: **14 Years**

(74) *Attorney, Agent, or Firm* — Sanchelima & Associates, P.A.

(21) Appl. No.: **29/405,187**

(57) **CLAIM**

The ornamental design for a motorcycle, as shown and described.

(22) Filed: **Oct. 31, 2011**

DESCRIPTION

(51) **LOC (9) Cl.** **12-11**

(52) **U.S. Cl.**
USPC **D12/110**

(58) **Field of Classification Search**
USPC D12/110; 180/219, 220
See application file for complete search history.

FIG. 1 is an isometric view of a motorcycle showing my new design;

FIG. 2 is a front elevational view thereof;

FIG. 3 is a rear elevational view thereof;

FIG. 4 is a left side elevational view thereof;

FIG. 5 is a right side elevational view thereof;

FIG. 6 is a top plan view thereof; and,

FIG. 7 is a bottom plan view thereof showing my design.

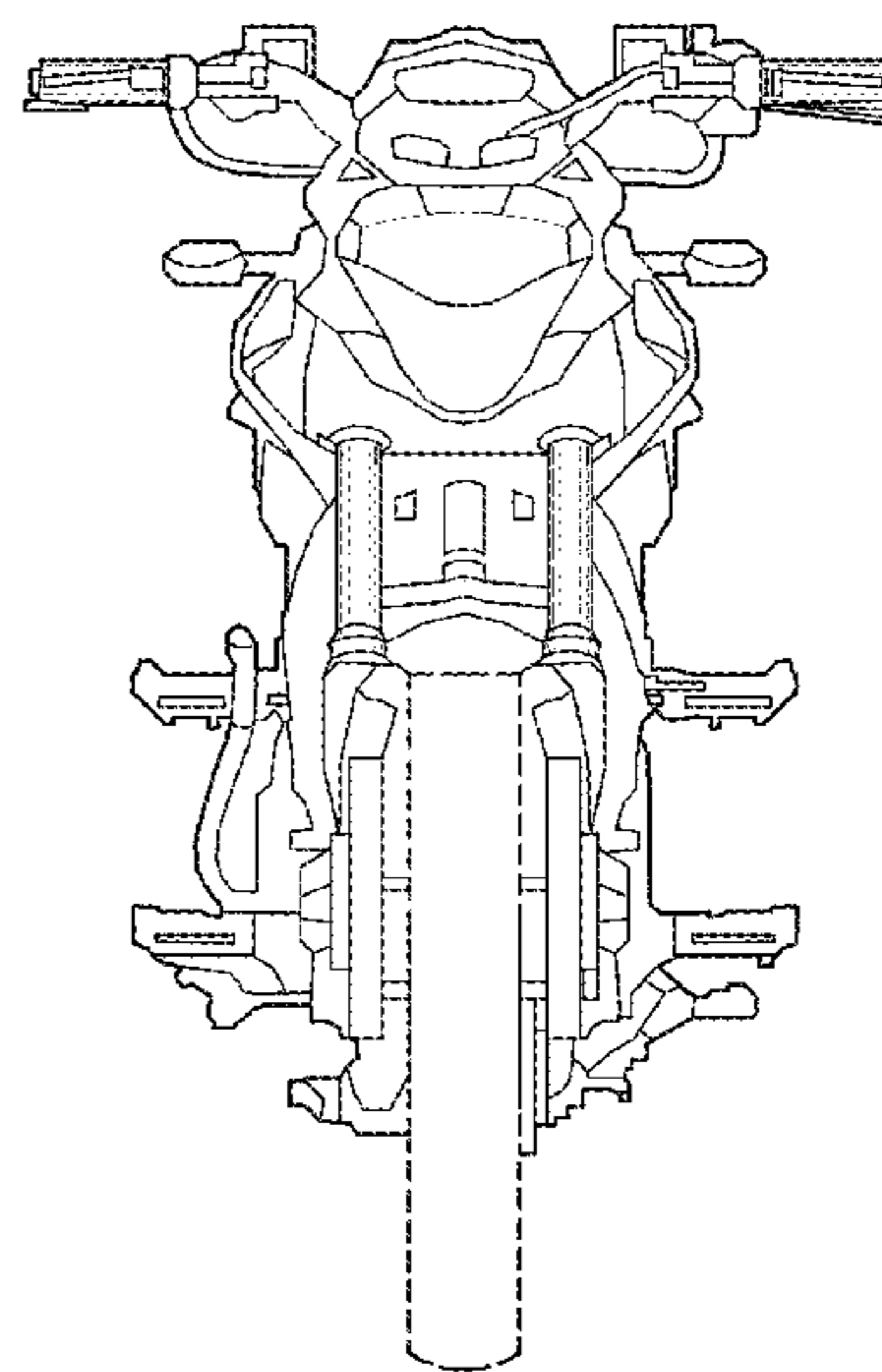
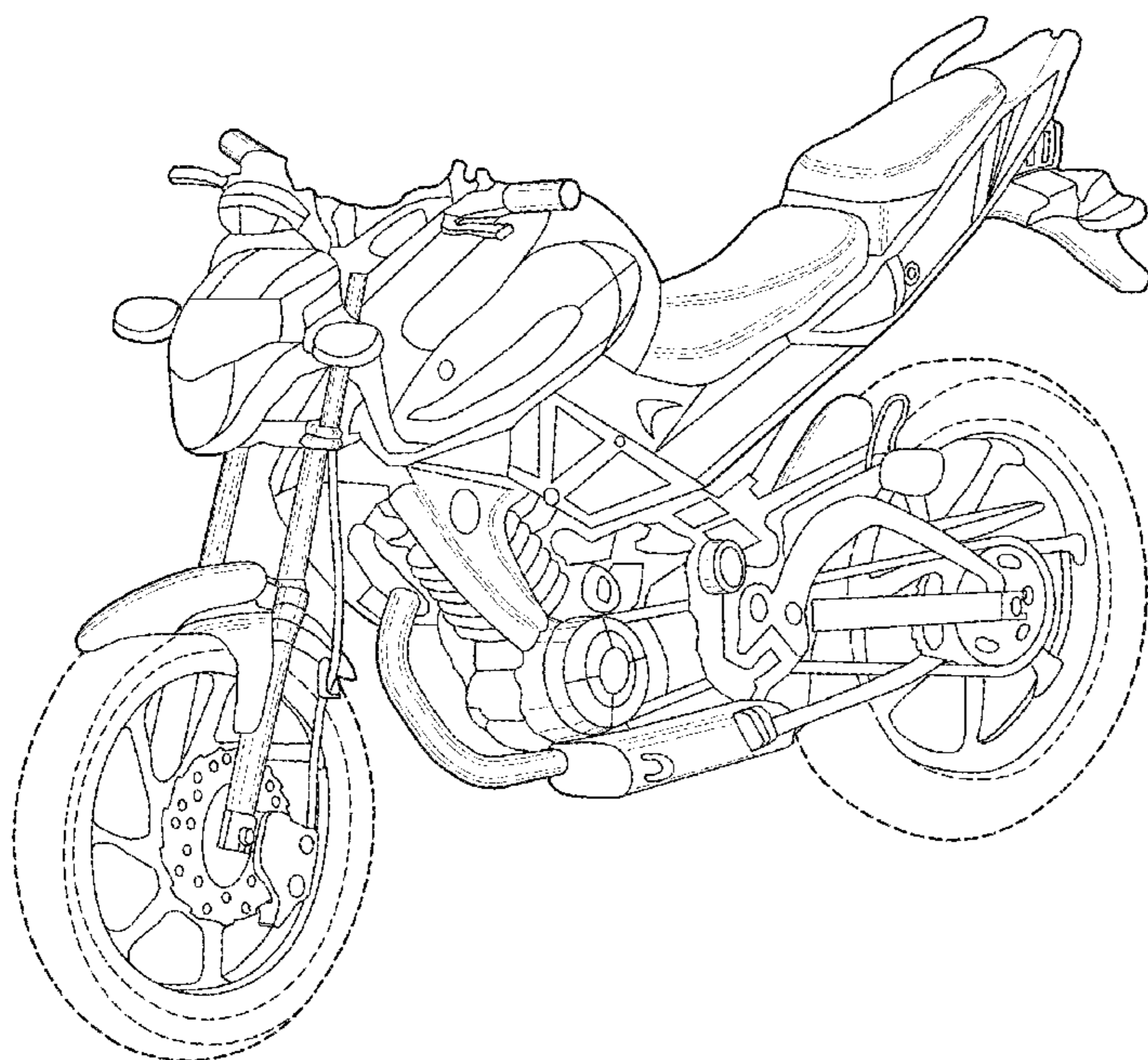
The broken lines illustrate unclaimed portions of the motorcycle.

(56) **References Cited**

U.S. PATENT DOCUMENTS

- D569,310 S * 5/2008 Ainsworth et al. D12/110
- D569,311 S * 5/2008 Ainsworth et al. D12/110
- D598,815 S * 8/2009 Nagao D12/110

1 Claim, 4 Drawing Sheets



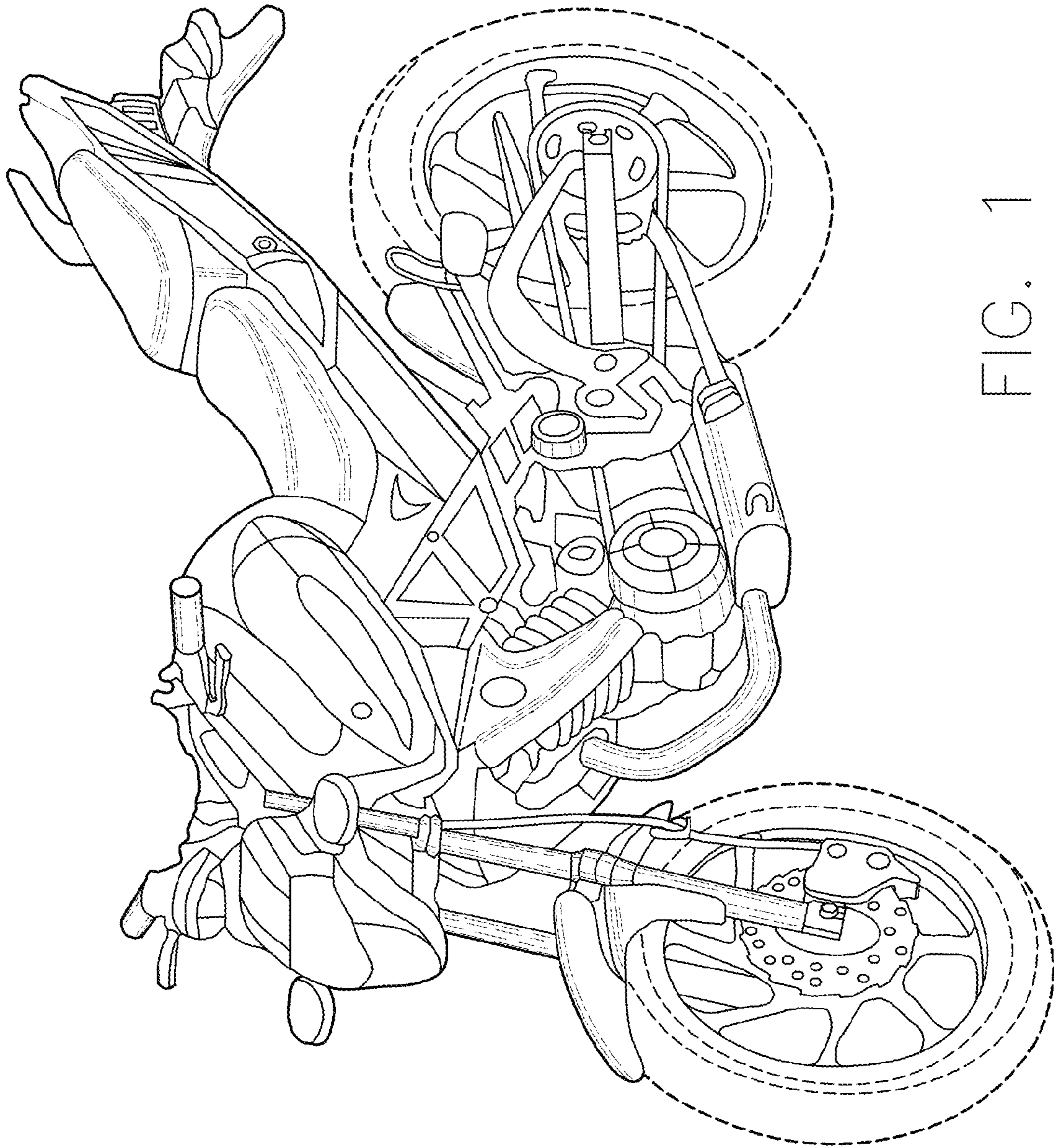


FIG. 1

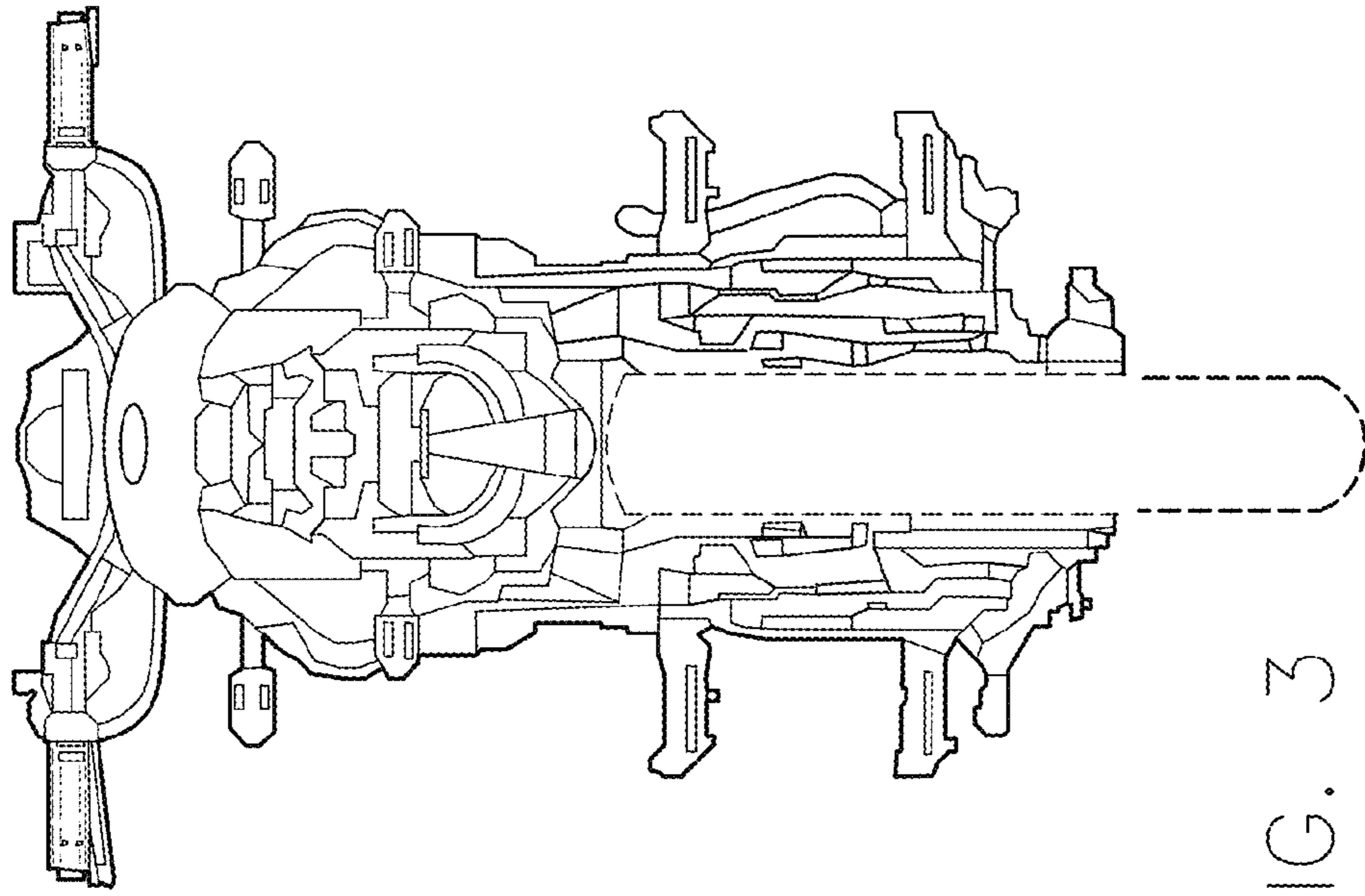


FIG. 3

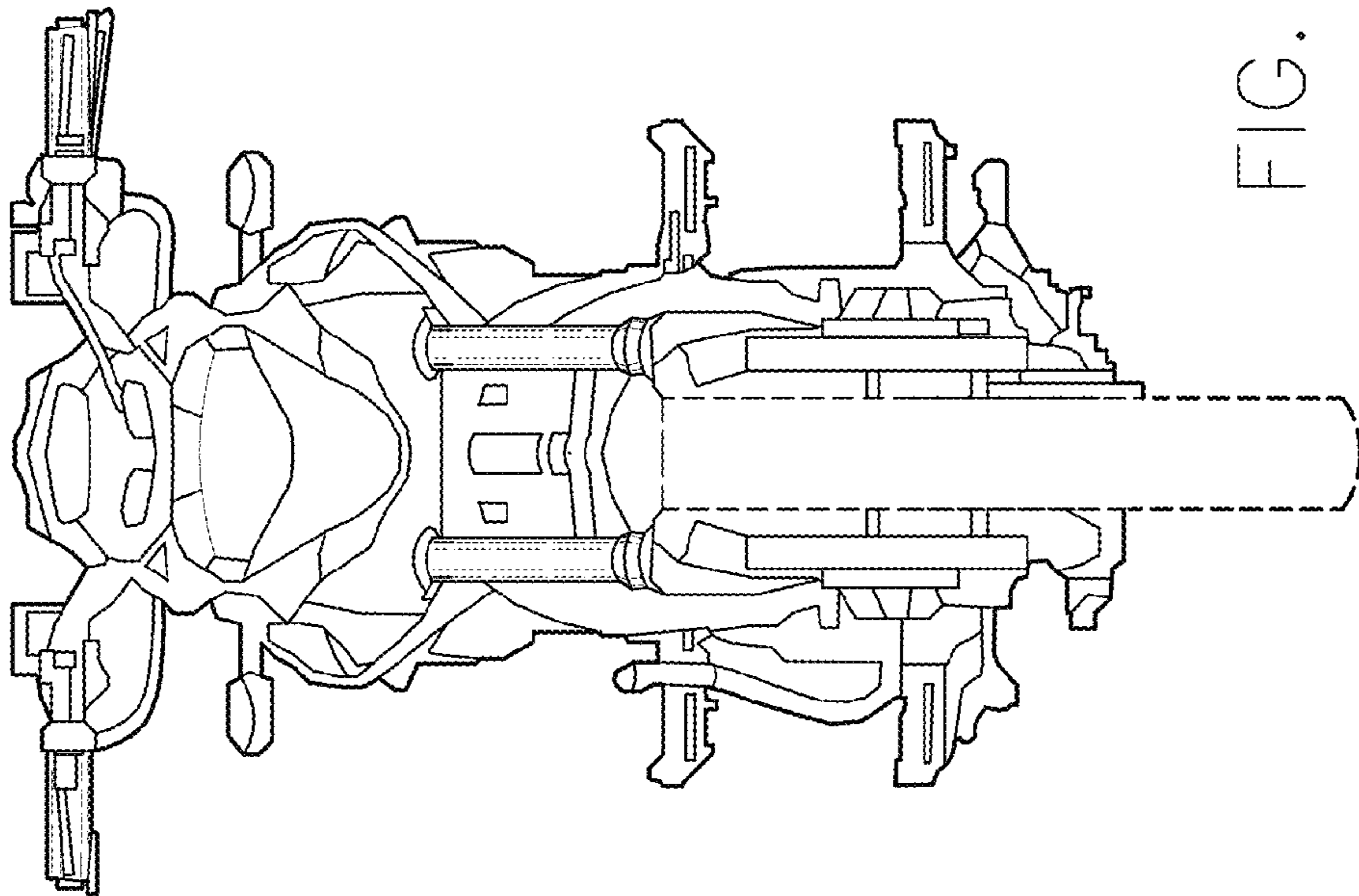


FIG. 2

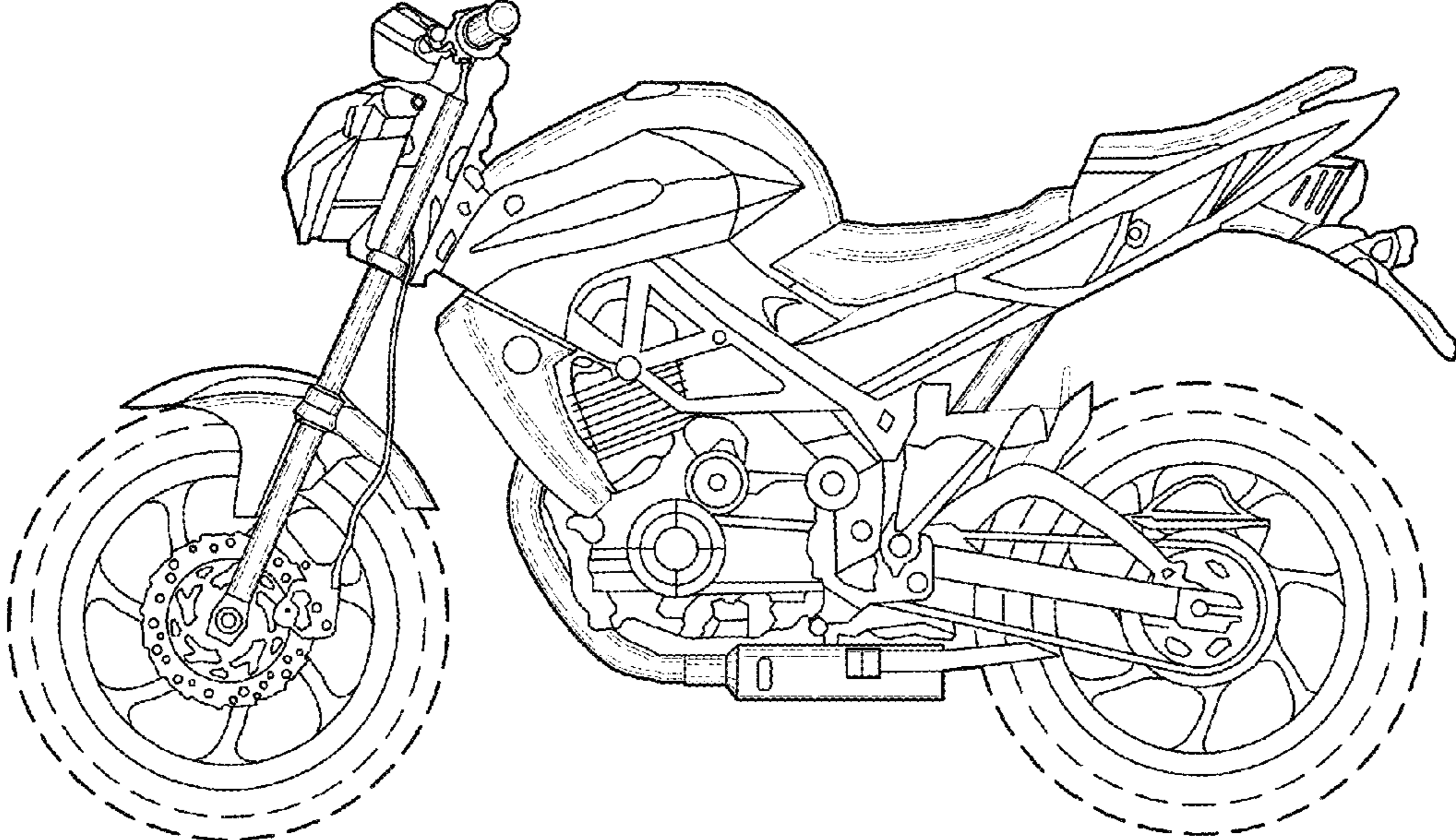


FIG. 4

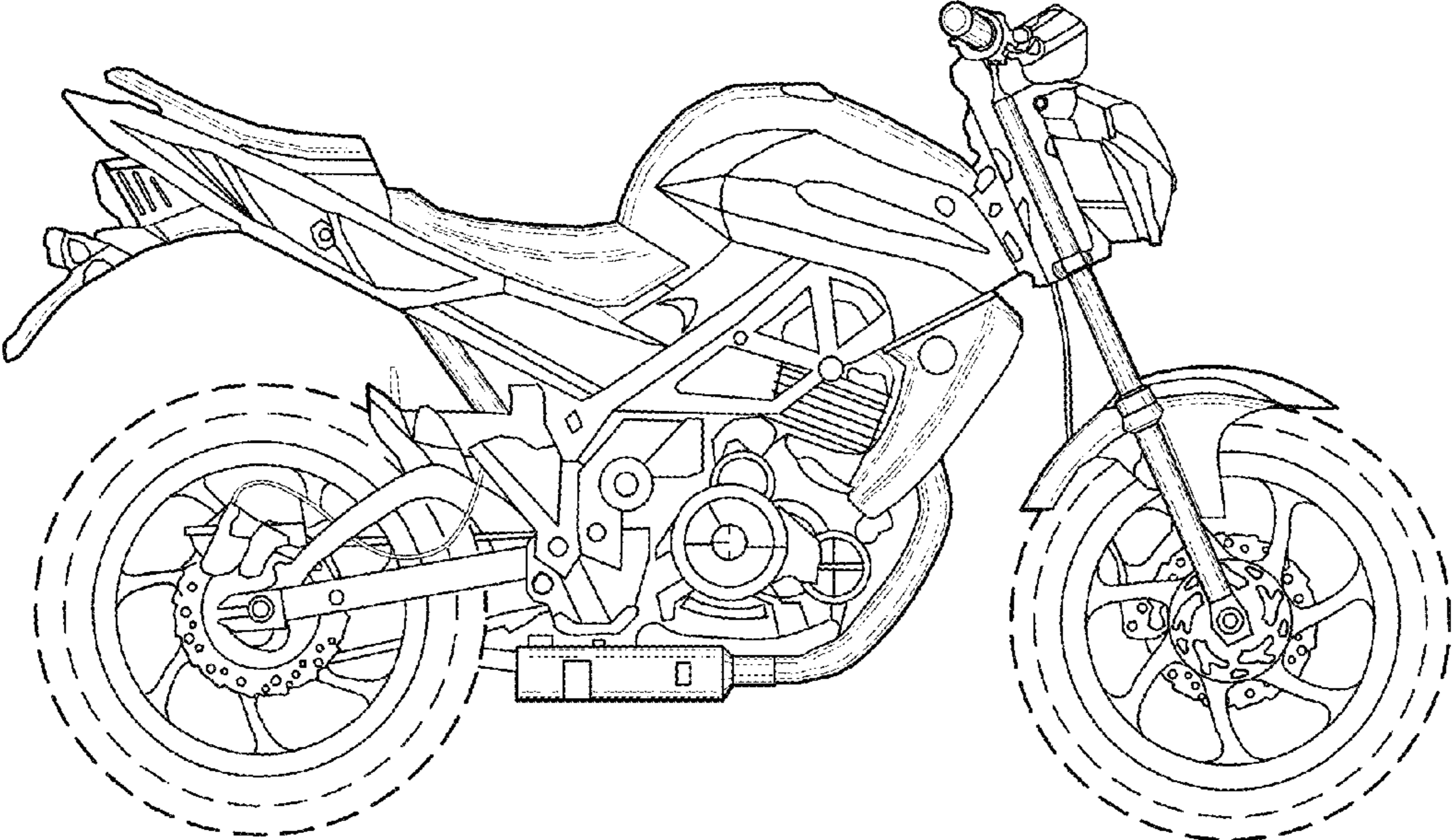


FIG. 5

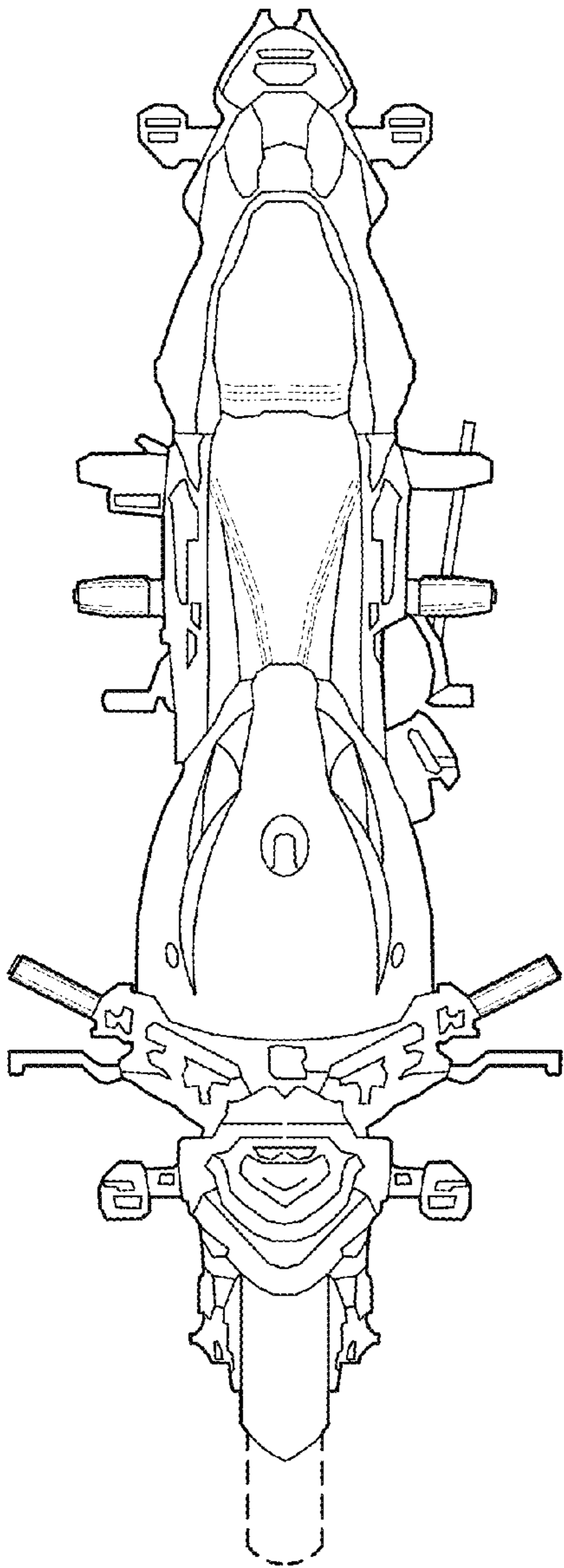


FIG. 6

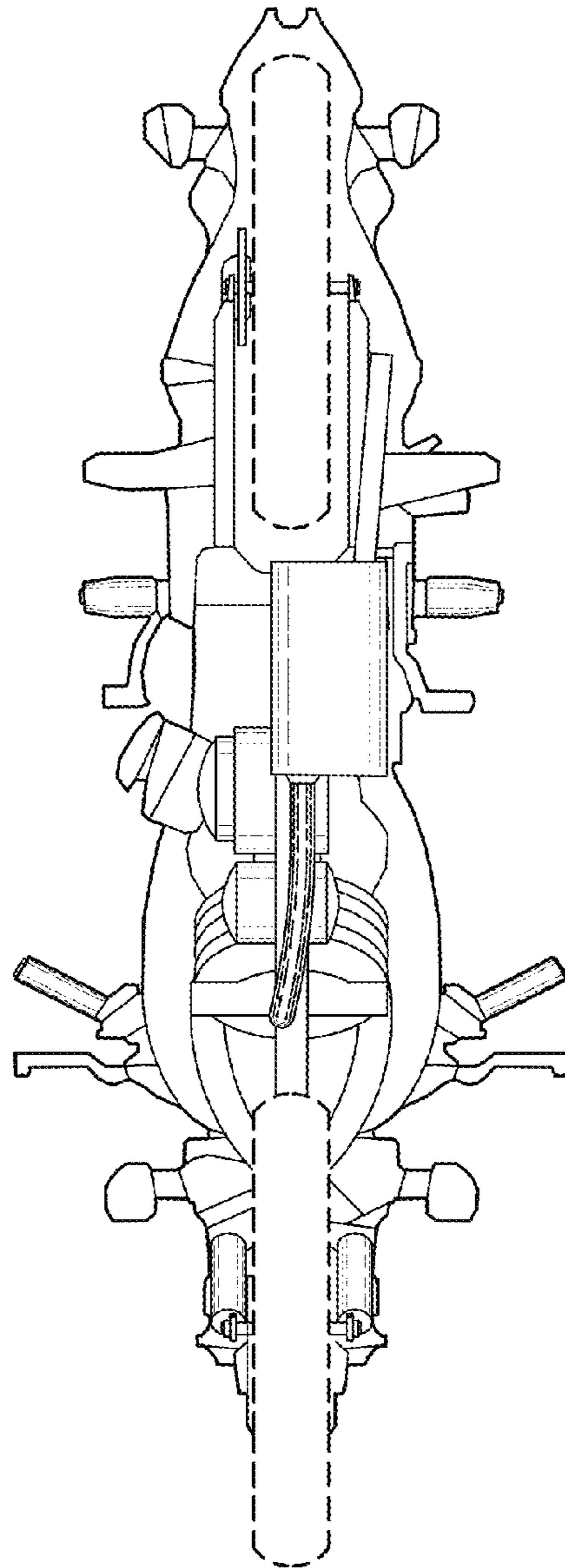


FIG. 7