



US00D684898S

(12) **United States Design Patent**  
**Minami**

(10) **Patent No.:** **US D684,898 S**

(45) **Date of Patent:** **\*\* Jun. 25, 2013**

(54) **AUTOMOBILE AND/OR REPLICA THEREOF**

(56) **References Cited**

(75) **Inventor:** **Toshinobu Minami**, Saitama (JP)

U.S. PATENT DOCUMENTS

(73) **Assignee:** **Honda Motor Co., Ltd.**, Tokyo (JP)

D667,345 S \* 9/2012 Tanai et al. .... D12/92  
D667,756 S \* 9/2012 Asakura et al. .... D12/92  
D671,459 S \* 11/2012 Yamada et al. .... D12/92  
D672,689 S \* 12/2012 Kubota et al. .... D12/92

(\*\*) **Term:** **14 Years**

\* cited by examiner

(21) **Appl. No.:** **29/411,352**

*Primary Examiner* — Melody Brown

(22) **Filed:** **Jan. 19, 2012**

(74) *Attorney, Agent, or Firm* — Westerman, Hattori,  
Daniels & Adrian, LLP

(30) **Foreign Application Priority Data**

(57) **CLAIM**

The ornamental design for, an automobile and/or replica thereof, as shown and described.

Jul. 20, 2011 (JP) ..... 2011-016676

**DESCRIPTION**

(51) **LOC (9) Cl.** ..... **12-08**

FIG. 1 is a front and right side view of an automobile and/or replica thereof showing our new design;  
FIG. 2 is a rear and right side perspective view thereof;  
FIG. 3 is a front elevation view thereof;  
FIG. 4 is a rear elevation view thereof;  
FIG. 5 is a top plan view thereof;  
FIG. 6 is a right side elevation view thereof; and,  
FIG. 7 is a left side elevation view thereof.  
The broken lines are for illustrative purposes only and form no part of the claimed design.

(52) **U.S. Cl.**

USPC ..... **D12/92**

(58) **Field of Classification Search**

USPC ..... D12/86, 90-92; D21/424, 433, 434;  
296/181.1, 181.5

See application file for complete search history.

**1 Claim, 6 Drawing Sheets**

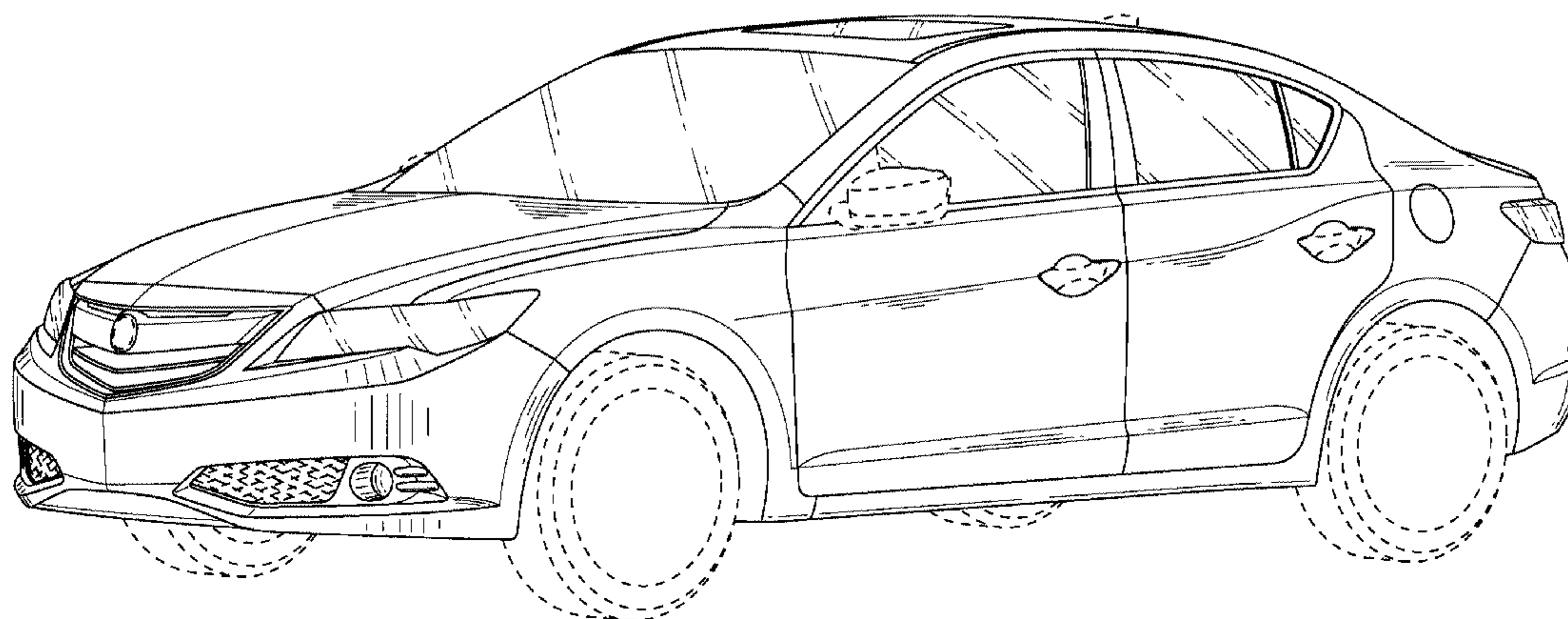


FIG. 1

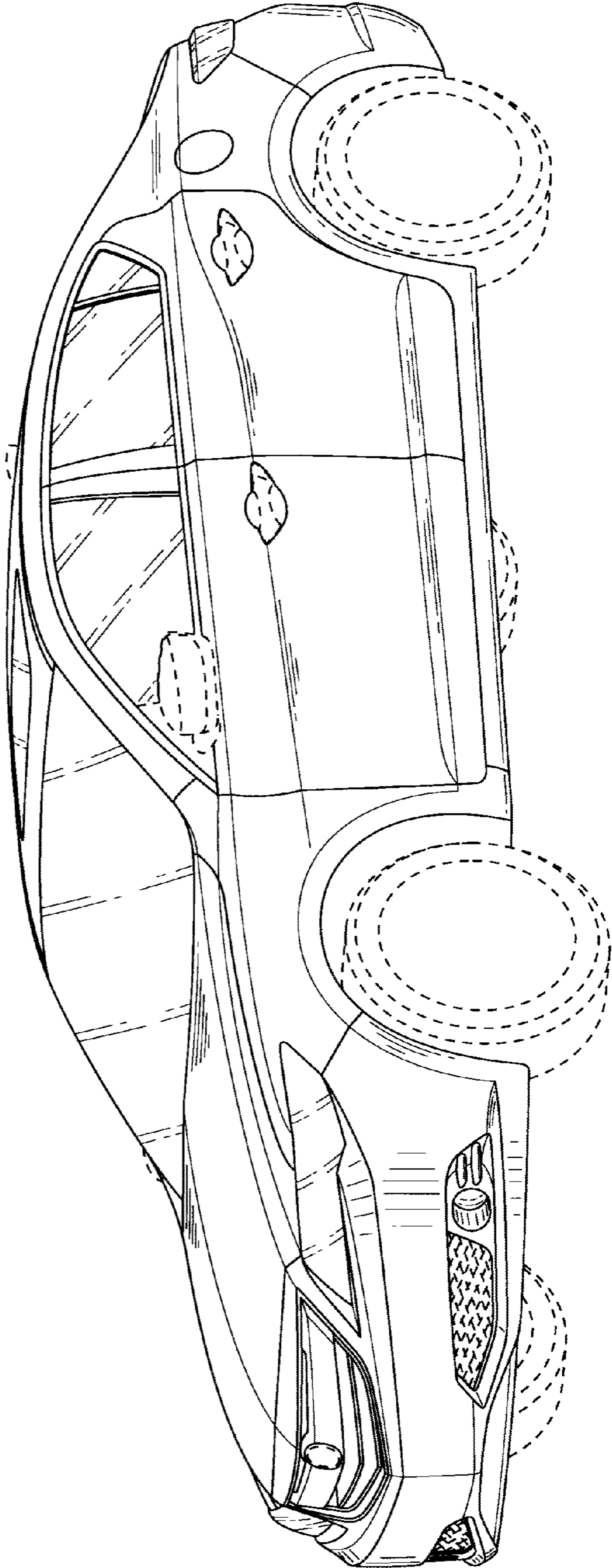


FIG. 2

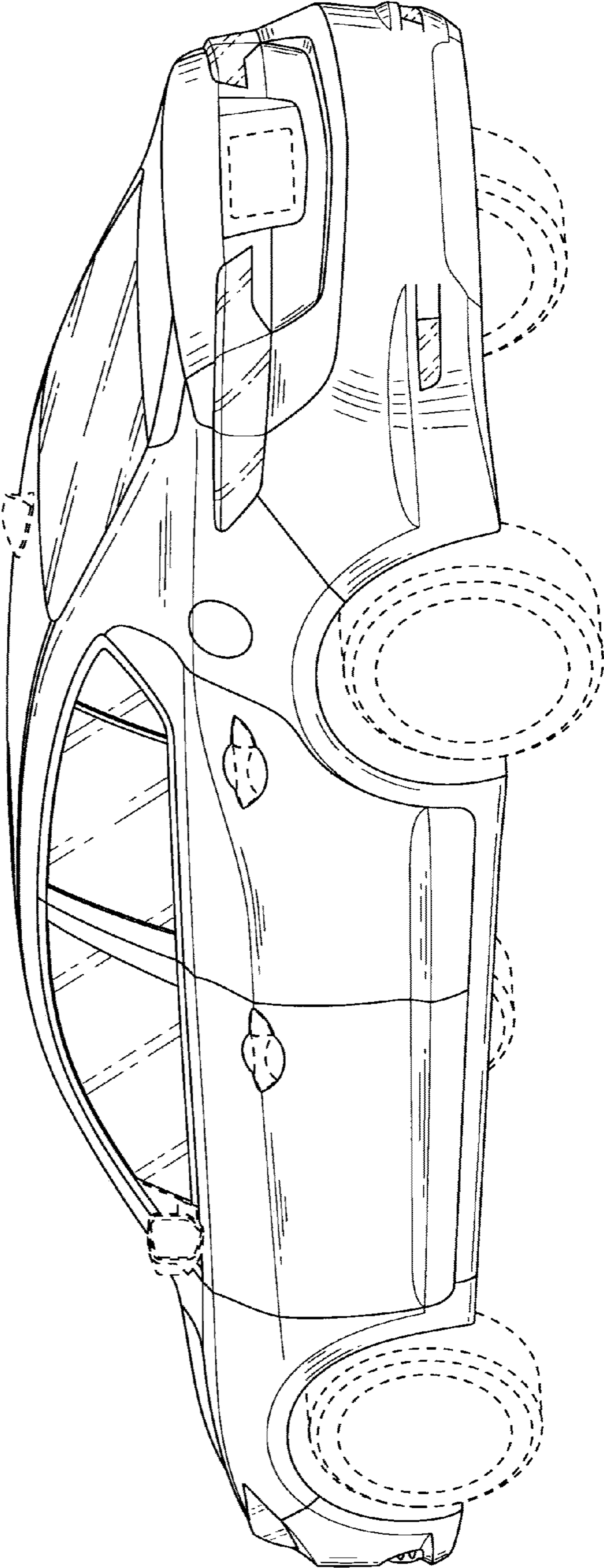


FIG. 4

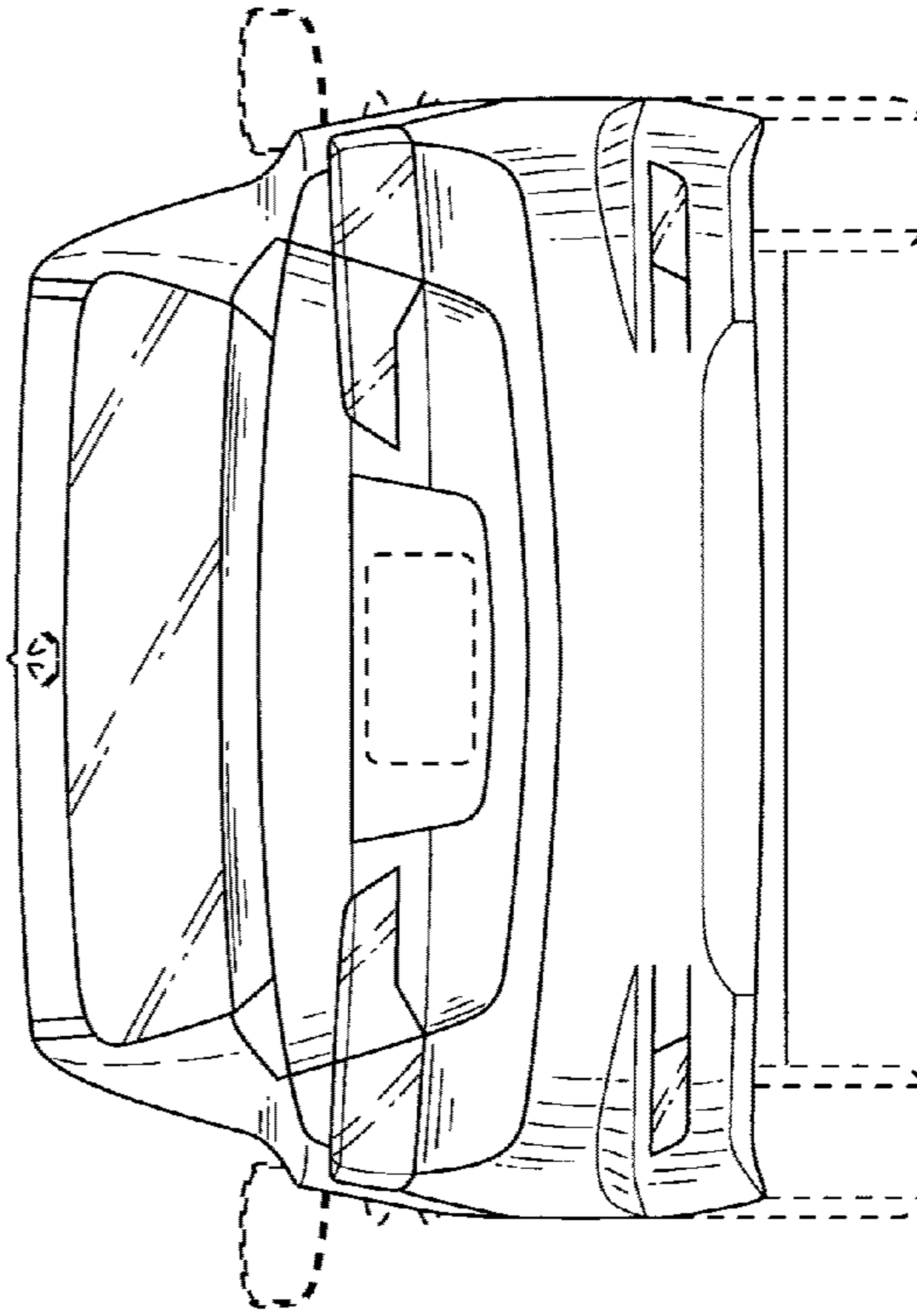


FIG. 3

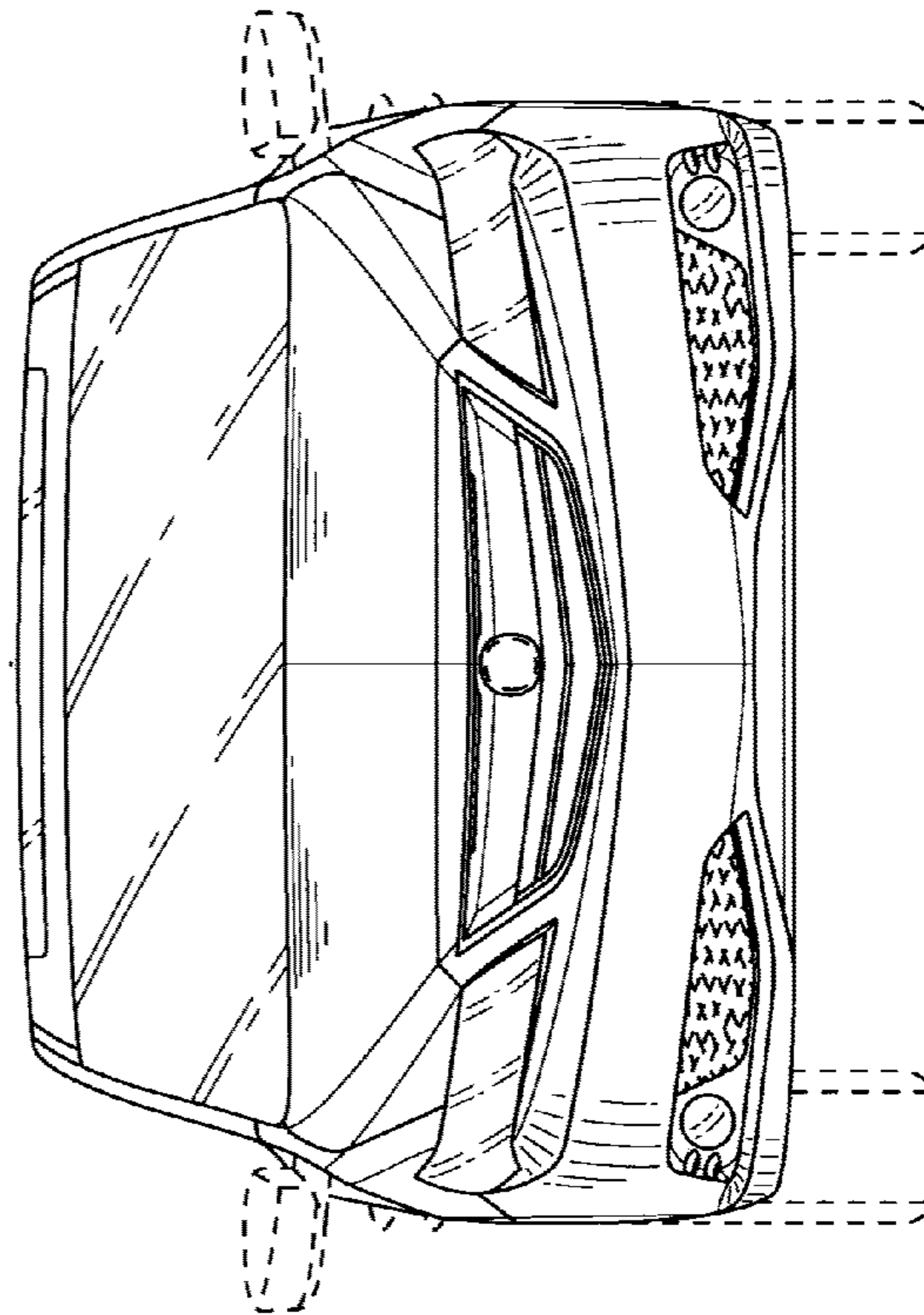


FIG. 5

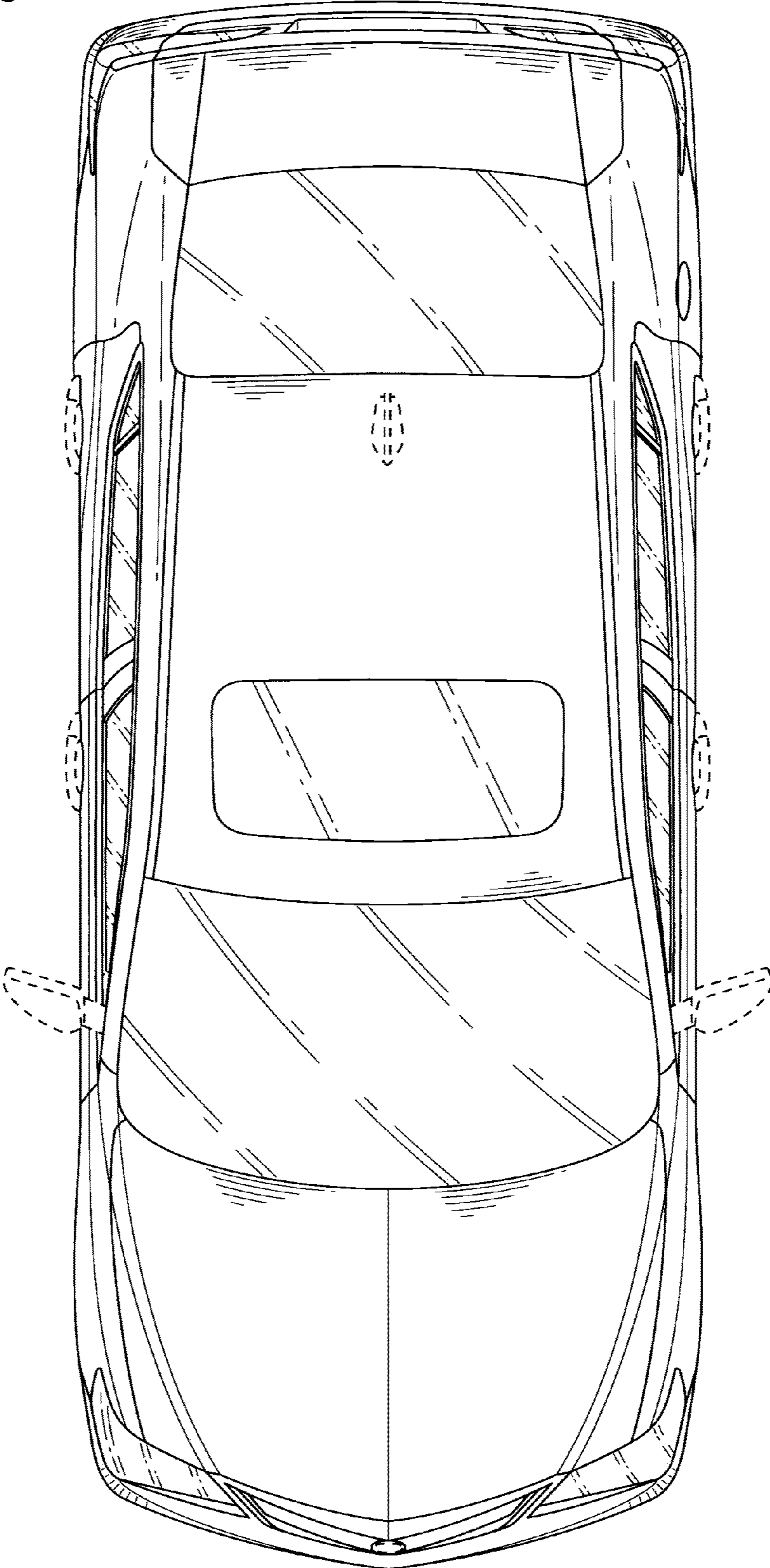


FIG. 6

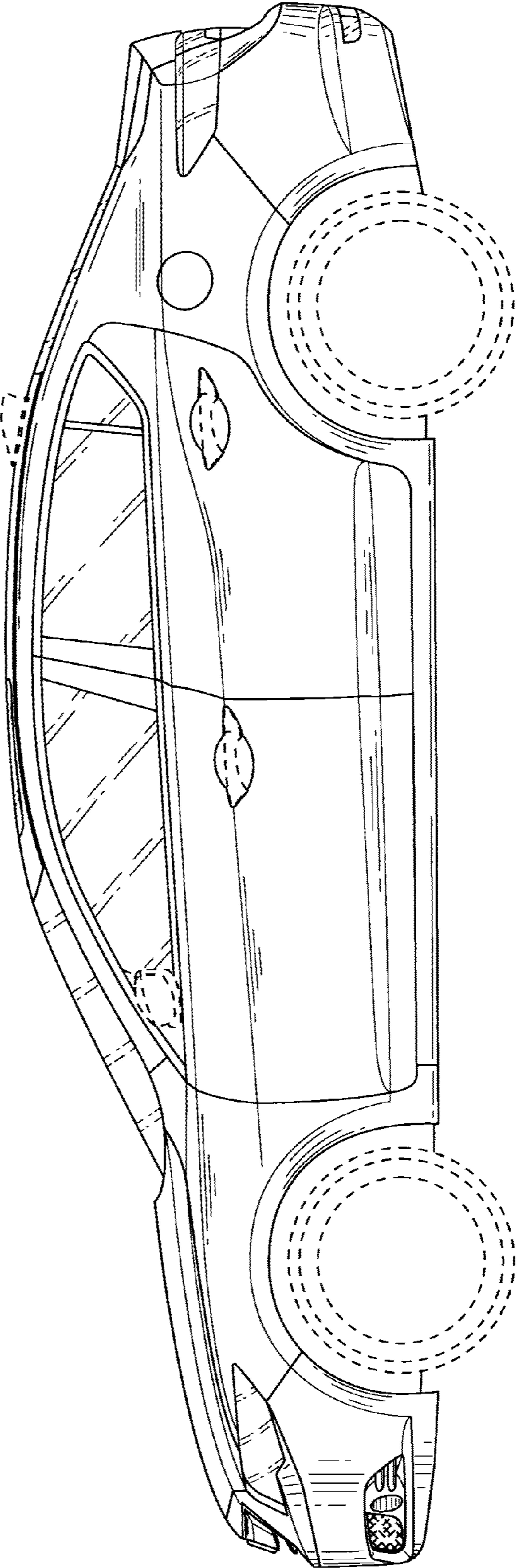


FIG. 7

