



US00D684894S

(12) **United States Design Patent**  
**Douglas**

(10) **Patent No.:** **US D684,894 S**  
(45) **Date of Patent:** **\*\* Jun. 25, 2013**

- (54) **GOLF BALL BELT BUCKLE**
- (71) Applicant: **David J. Douglas**, Providenciales (TC)
- (72) Inventor: **David J. Douglas**, Providenciales (TC)
- (\*\*) Term: **14 Years**
- (21) Appl. No.: **29/432,962**
- (22) Filed: **Sep. 24, 2012**
- (51) **LOC (9) Cl.** ..... **02-07**
- (52) **U.S. Cl.**  
USPC ..... **D11/231**
- (58) **Field of Classification Search**  
USPC ..... D11/200–237; D2/625–629; 24/625,  
24/650, 199–200, 170, 30.5 R, 318; 224/163  
See application file for complete search history.

- D501,427 S \* 2/2005 Robbins ..... D11/238
- D577,486 S \* 9/2008 Kudarauskas ..... D3/211
- D668,997 S \* 10/2012 Douglas ..... D11/231

\* cited by examiner

*Primary Examiner* — T. Chase Nelson  
*Assistant Examiner* — Mark Cavanna

(57) **CLAIM**

I claim the ornamental design for a golf ball belt buckle, as shown and described.

**DESCRIPTION**

FIG. 1 is a perspective view of the golf ball belt buckle of the claimed design;  
 FIG. 2 is a front view of the golf ball belt buckle of FIG. 1;  
 FIG. 3 is a top side view of the golf ball belt buckle of FIG. 1;  
 FIG. 4 is a left side view of the golf ball belt buckle of FIG. 1;  
 FIG. 5 is a right side view of the golf ball belt buckle of FIG. 1; and,  
 FIG. 6 is a back side view of the golf ball belt buckle of FIG. 1.

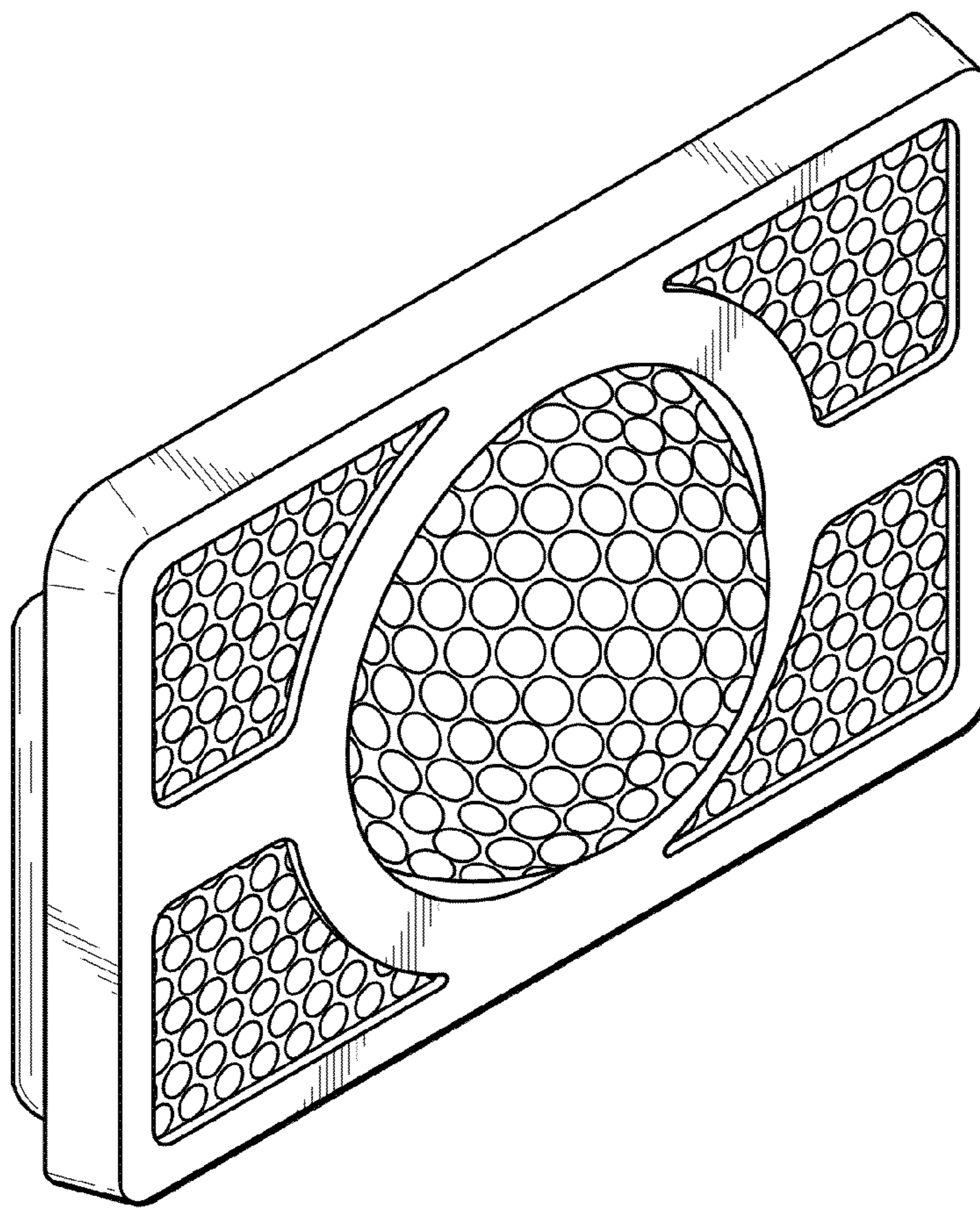
The broken lines are included for the purpose of illustrating portions of the golf ball belt buckle that form no part of the claimed design.

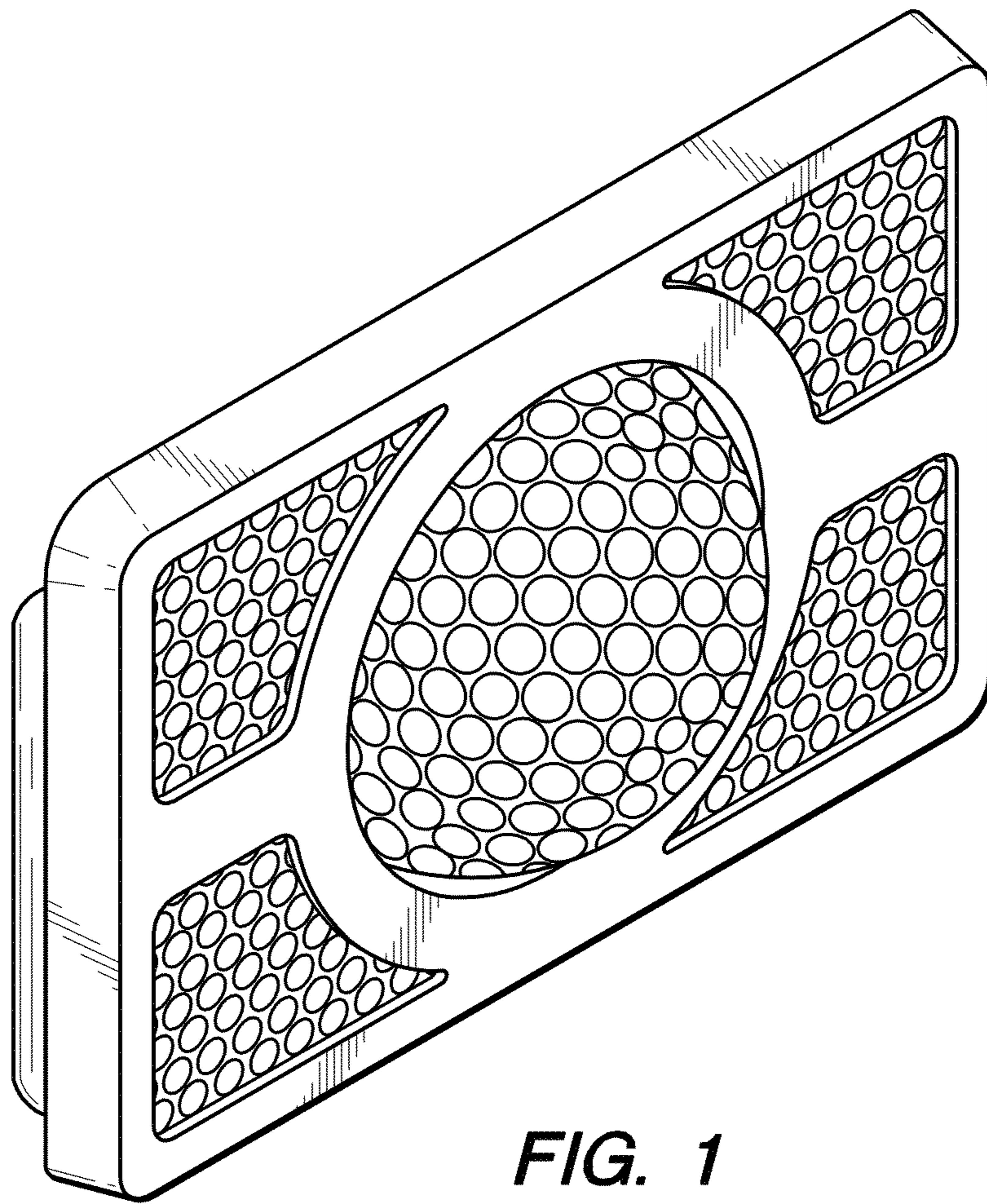
(56) **References Cited**

U.S. PATENT DOCUMENTS

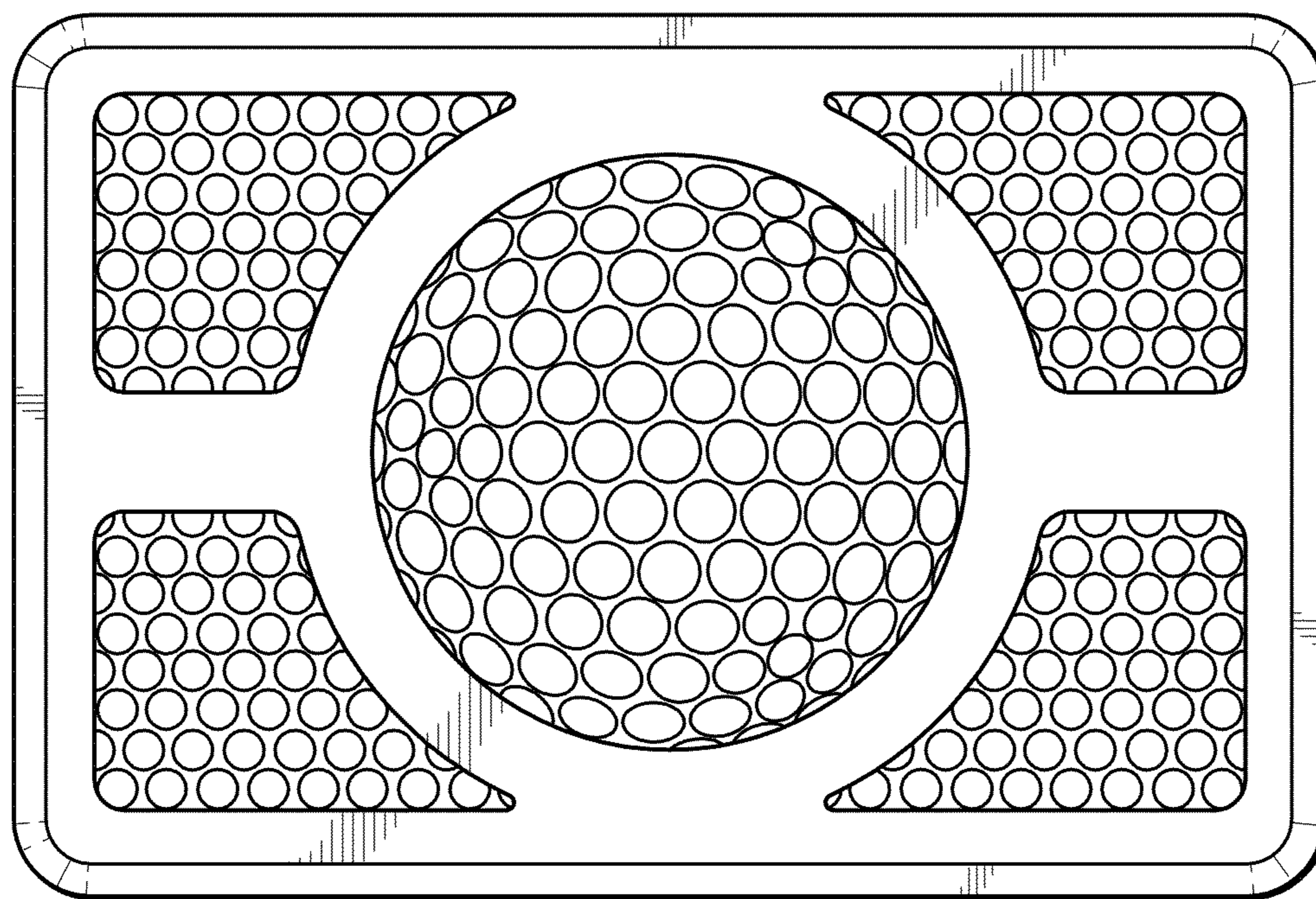
- D159,033 S \* 6/1950 Yarbrough ..... D11/238
- D159,621 S \* 8/1950 Howard ..... D11/238
- D256,186 S \* 8/1980 Danat et al. .... D11/238
- D340,679 S \* 10/1993 Chen ..... D11/232
- D365,046 S \* 12/1995 McKinley ..... D11/232
- D501,426 S \* 2/2005 Robbins ..... D11/238

**1 Claim, 3 Drawing Sheets**

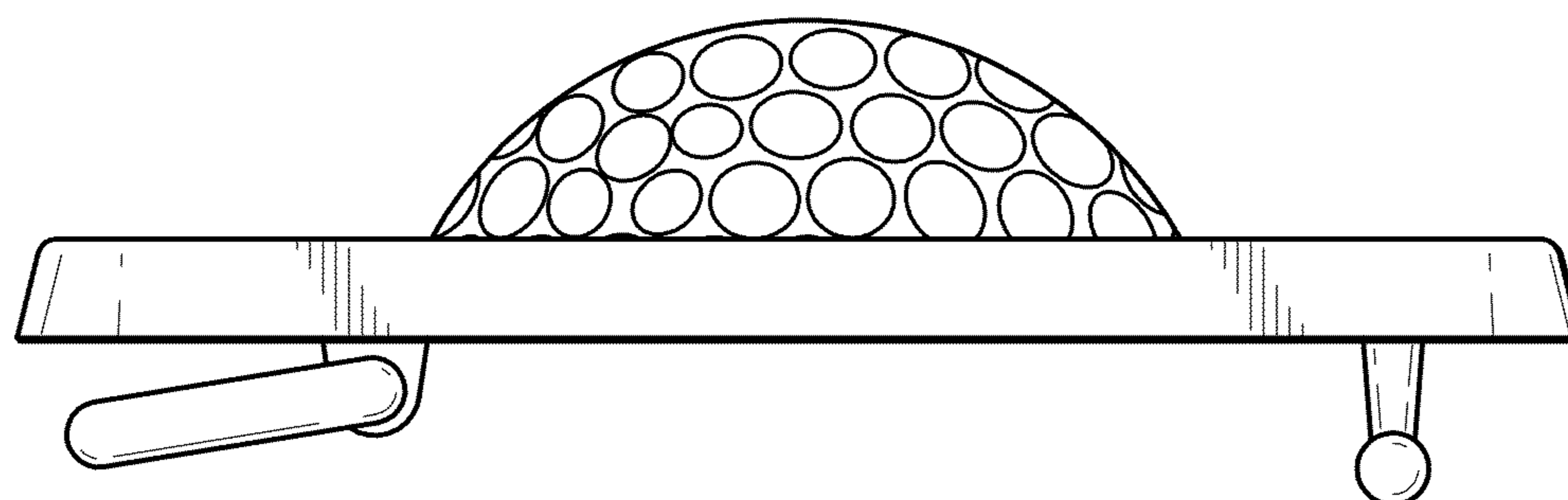




**FIG. 1**



**FIG. 2**



**FIG. 3**

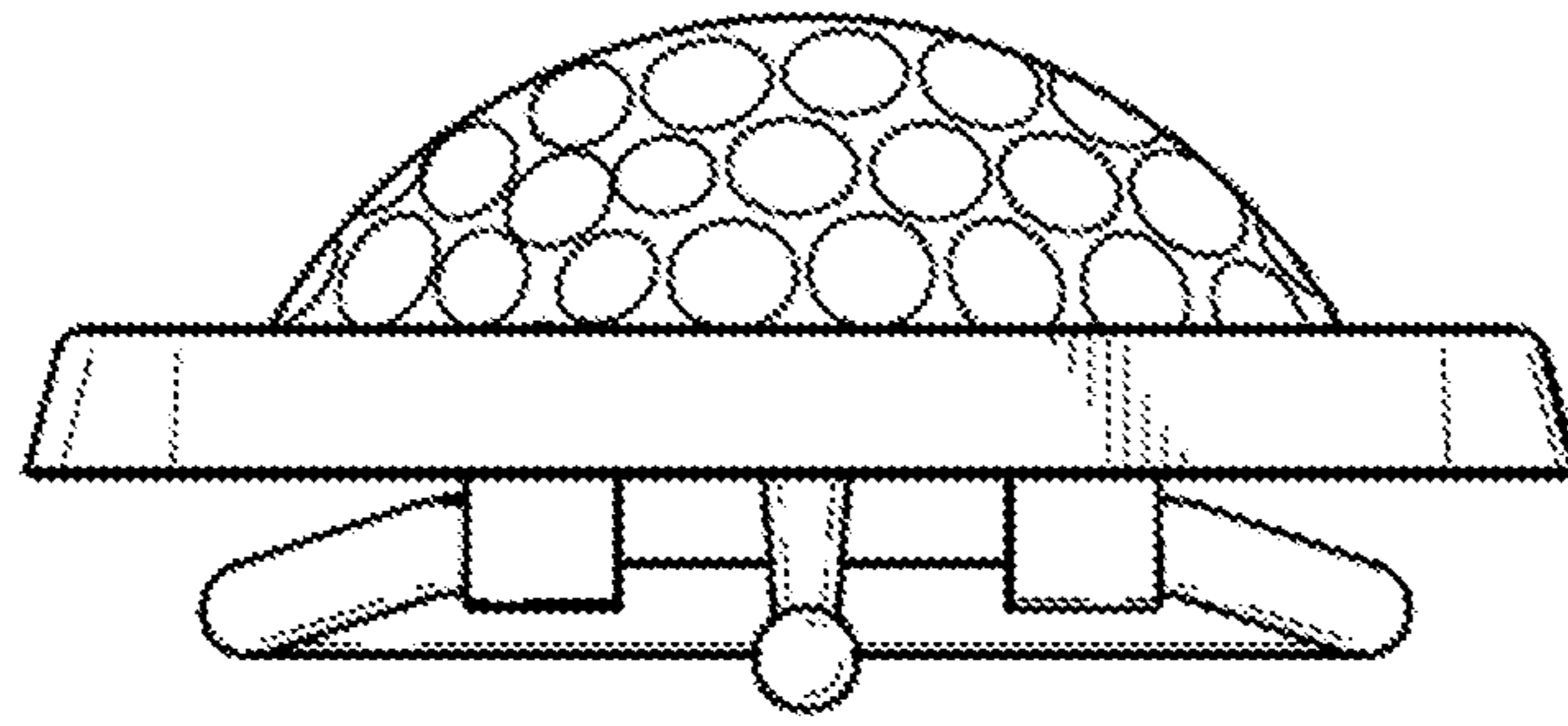


FIG. 4

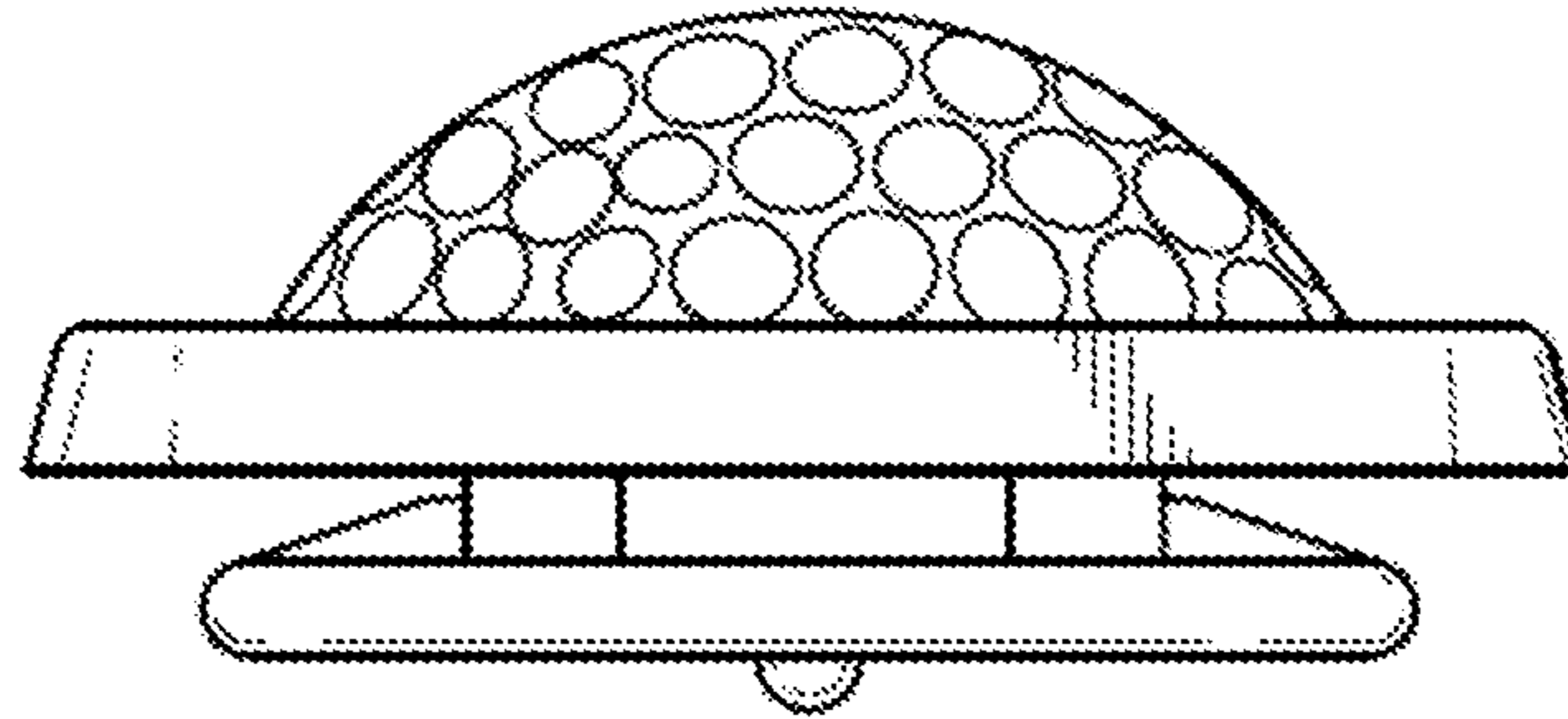


FIG. 5

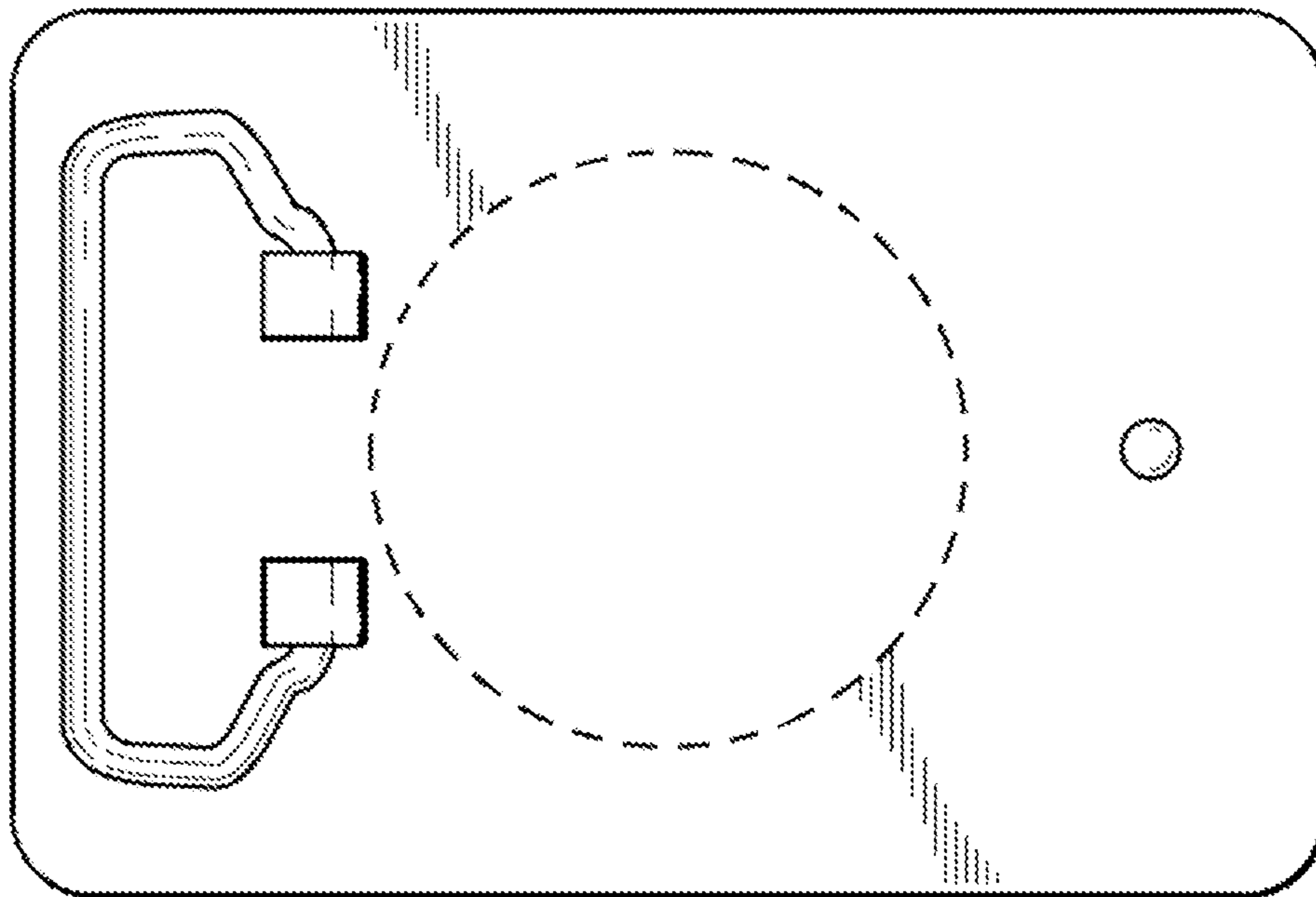


FIG. 6