



US00D684893S

(12) **United States Design Patent**  
**Kataguchi et al.**

(10) **Patent No.:** **US D684,893 S**  
(45) **Date of Patent:** **\*\* Jun. 25, 2013**

(54) **BUCKLE**

(71) Applicant: **YKK Corporation**, Tokyo (JP)

(72) Inventors: **Ryoko Kataguchi**, Toyama (JP);  
**Tomoko Yagami**, Tokyo (JP)

(73) Assignee: **YKK Corporation** (JP)

(\*\*) Term: **14 Years**

(21) Appl. No.: **29/437,842**

(22) Filed: **Nov. 21, 2012**

(30) **Foreign Application Priority Data**

May 25, 2012 (JP) ..... 2012-012287

(51) **LOC (9) Cl.** ..... **02-07**

(52) **U.S. Cl.**  
USPC ..... **D11/216**

(58) **Field of Classification Search**  
USPC ..... D11/1-2, 200-201, 206-210, 214-218;  
24/163 R, 169-171, 173, 177-179, 191,  
194-195, 197, 200, 614-616, 625, 198  
See application file for complete search history.

(56) **References Cited**

U.S. PATENT DOCUMENTS

D519,878 S 5/2006 Anscher  
7,100,252 B2\* 9/2006 Anscher ..... 24/615  
D535,915 S 1/2007 Yang

D543,897 S \* 6/2007 Anscher ..... D11/218  
D560,551 S \* 1/2008 Uehara ..... D11/216  
7,320,160 B2 1/2008 Uehara et al.  
D567,710 S \* 4/2008 Kolasa et al. .... D11/216  
D619,042 S \* 7/2010 Uehara ..... D11/216  
D619,496 S \* 7/2010 Paik ..... D11/216  
D625,226 S \* 10/2010 Pontaoe ..... D11/216  
D633,414 S 3/2011 Pontaoe  
D635,057 S 3/2011 Pontaoe

\* cited by examiner

*Primary Examiner* — Ralf Seifert

(74) *Attorney, Agent, or Firm* — Kilpatrick Townsend & Stockton LLP

(57) **CLAIM**

The ornamental design for a buckle, as shown and described.

**DESCRIPTION**

FIG. 1 is a perspective view of the bottom, front and right side of a buckle showing my (our) new design;  
FIG. 2 is a front view thereof;  
FIG. 3 is a rear view thereof;  
FIG. 4 is a left side view thereof;  
FIG. 5 is a right side view thereof;  
FIG. 6 is a top plan view thereof;  
FIG. 7 is a bottom view thereof; and,  
FIG. 8 is an exploded perspective view thereof.  
The portions of the article in broken lines are shown for illustrative purposes only and form no part of the claimed design.

**1 Claim, 8 Drawing Sheets**

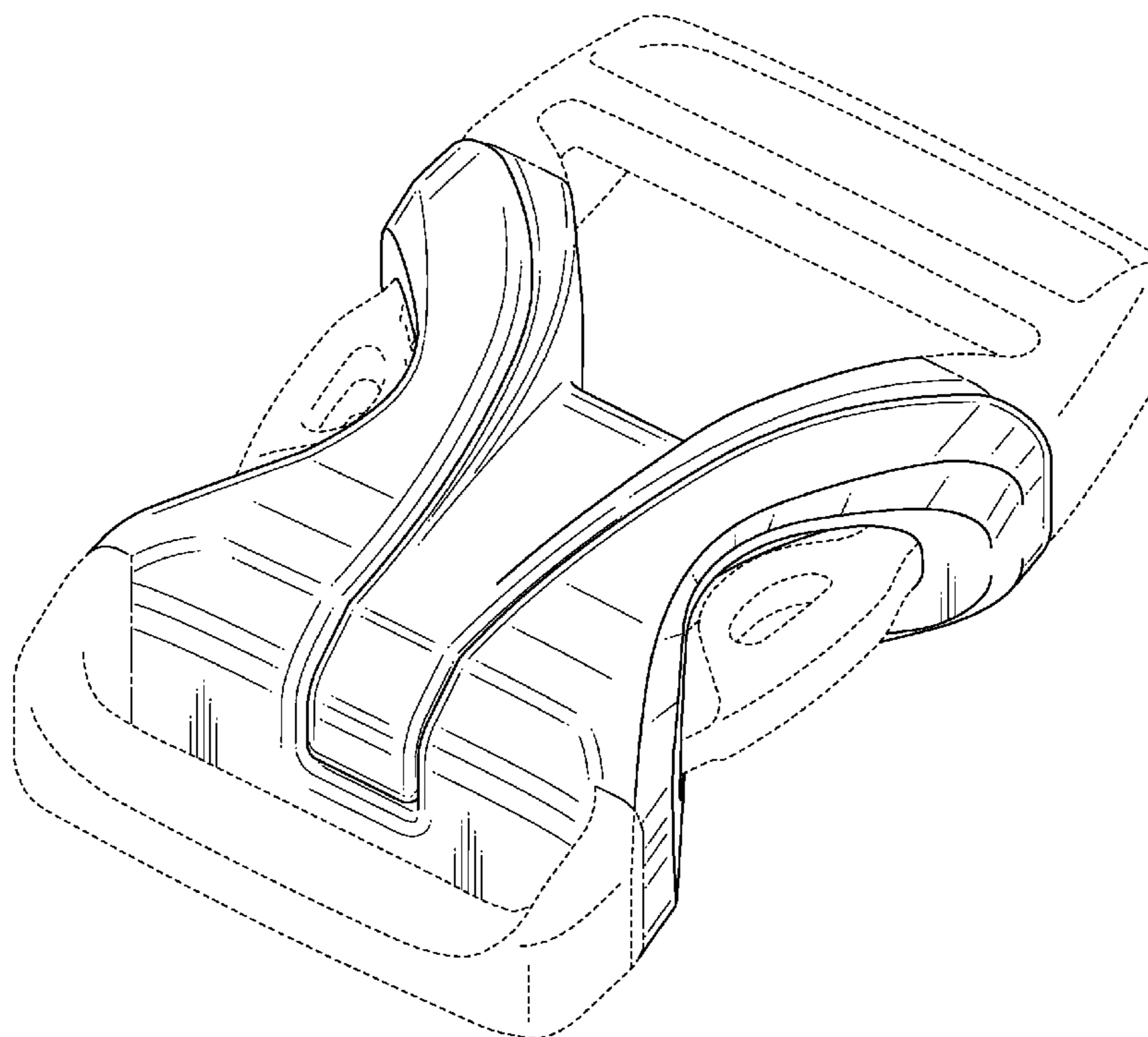


Fig. 1

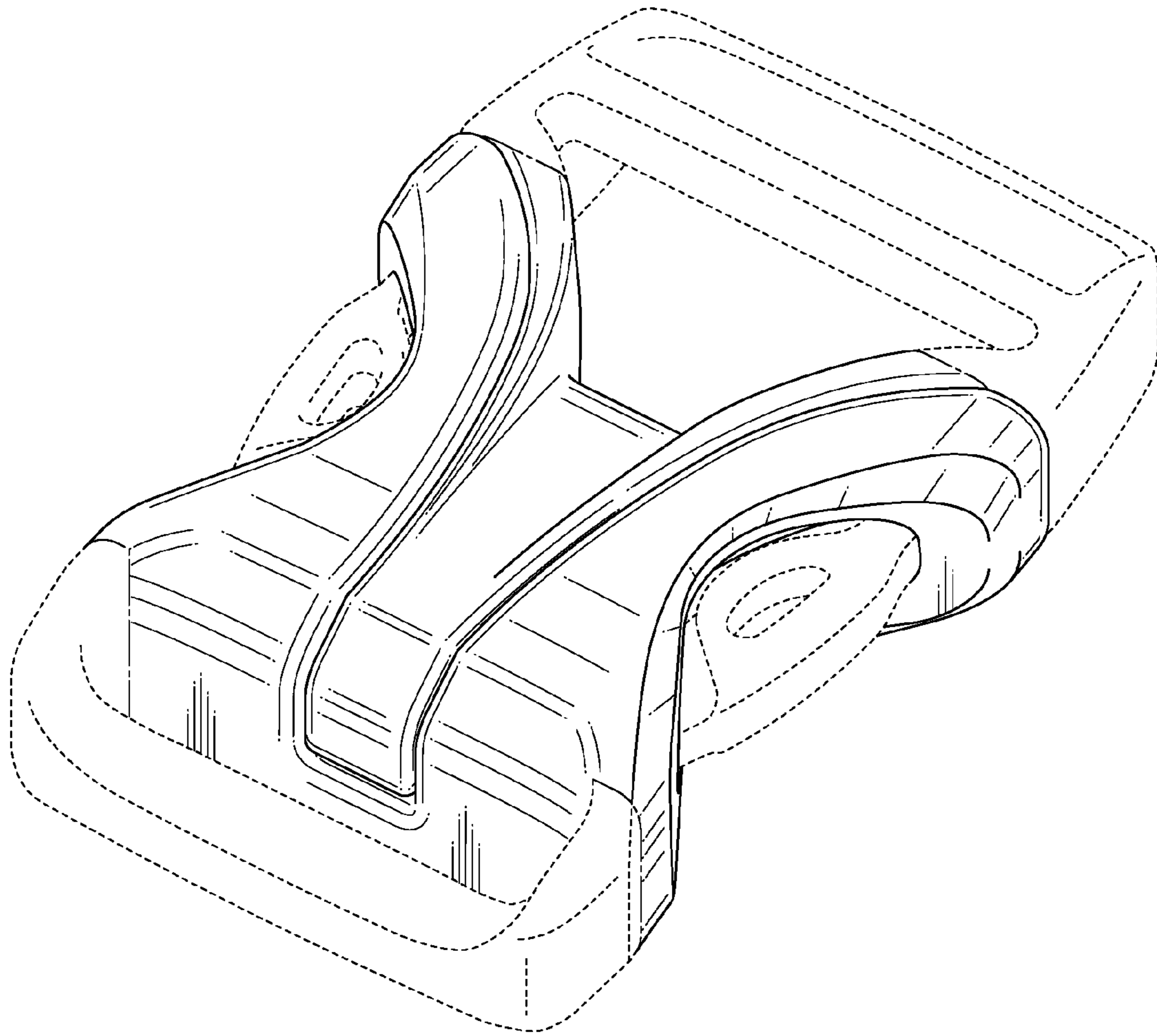


Fig. 2

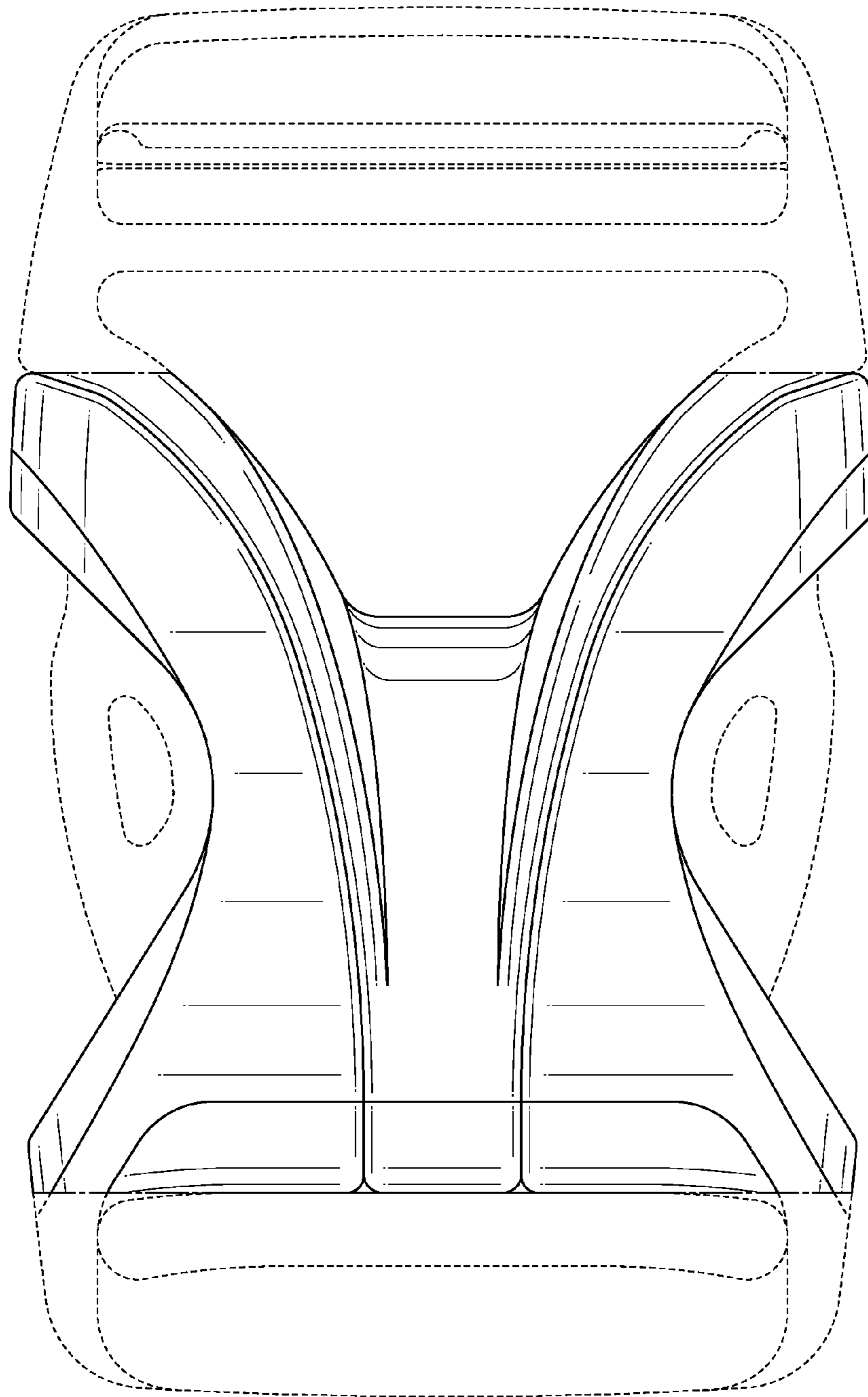


Fig. 3

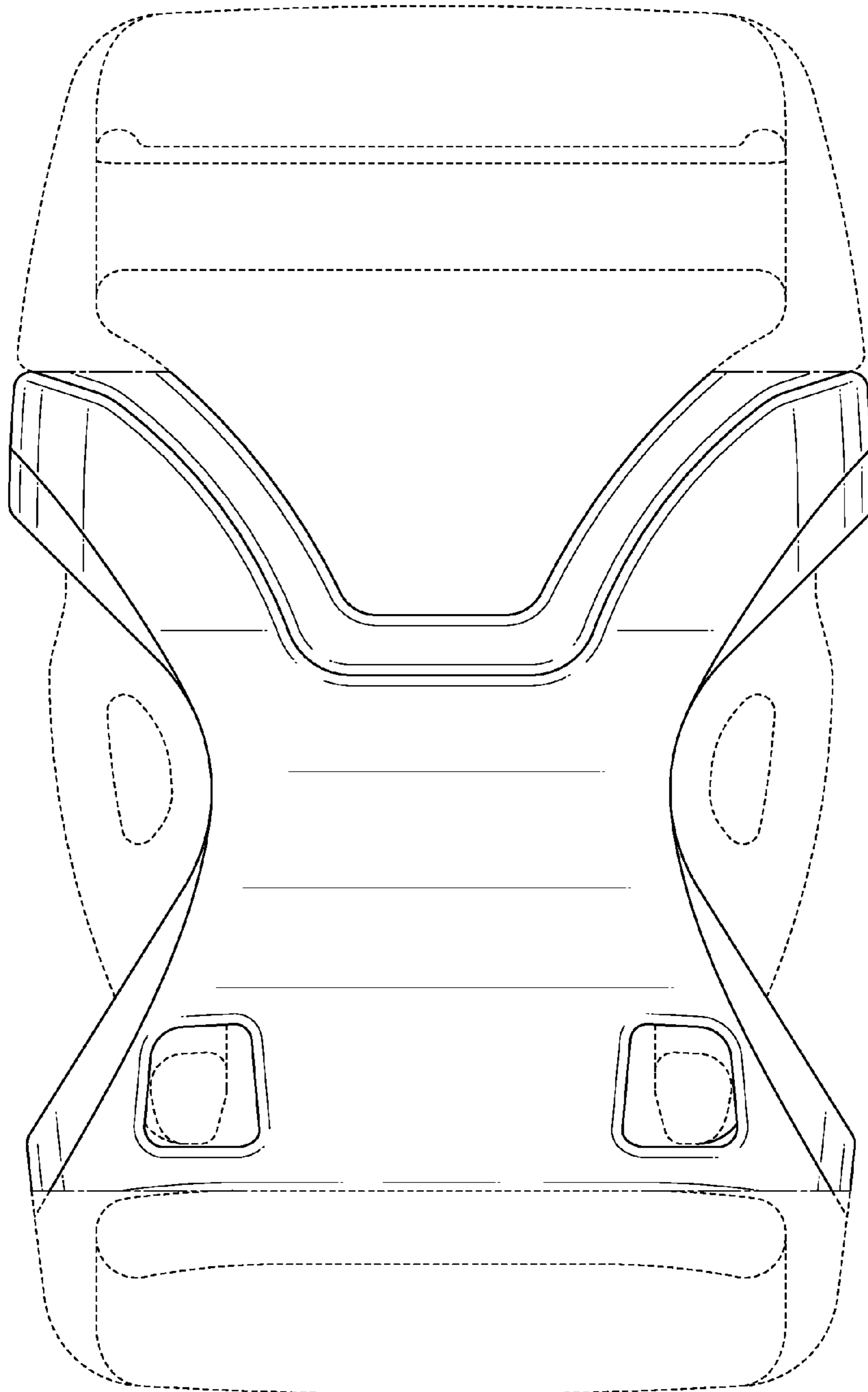




Fig. 5

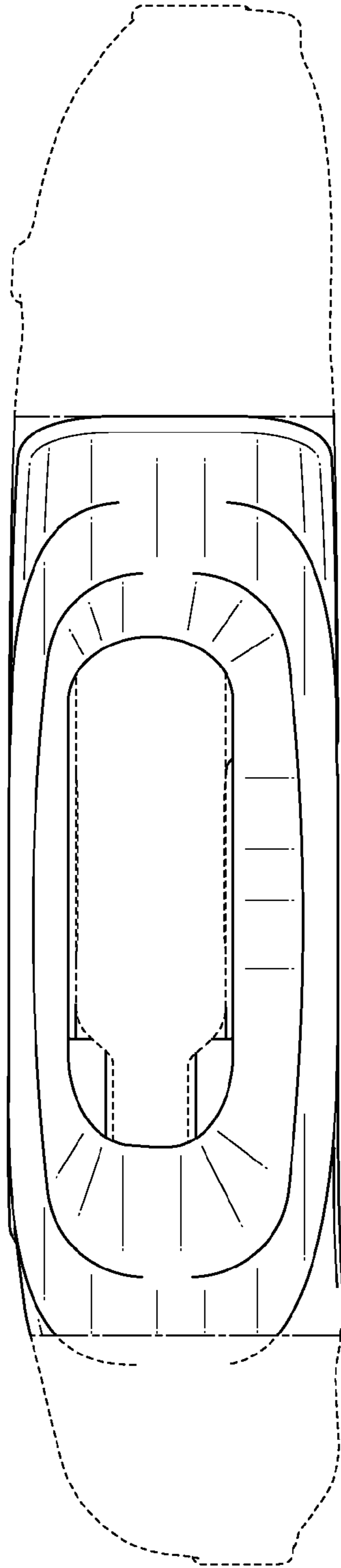


Fig. 6

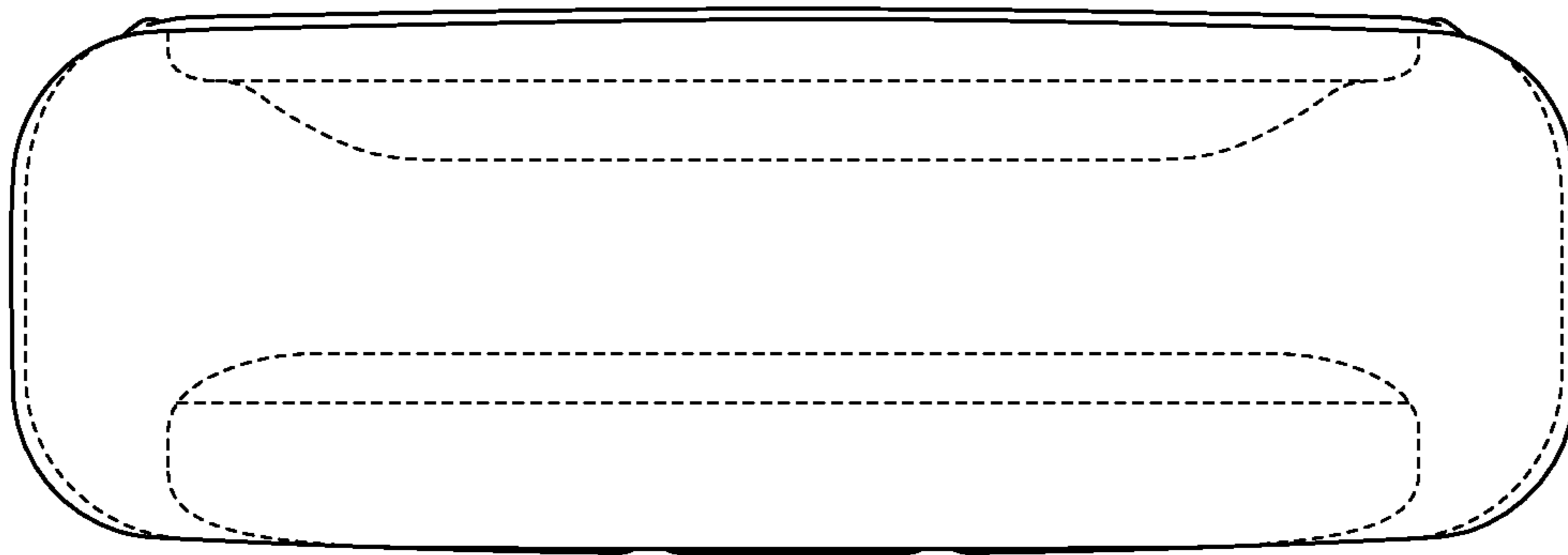




Fig. 7

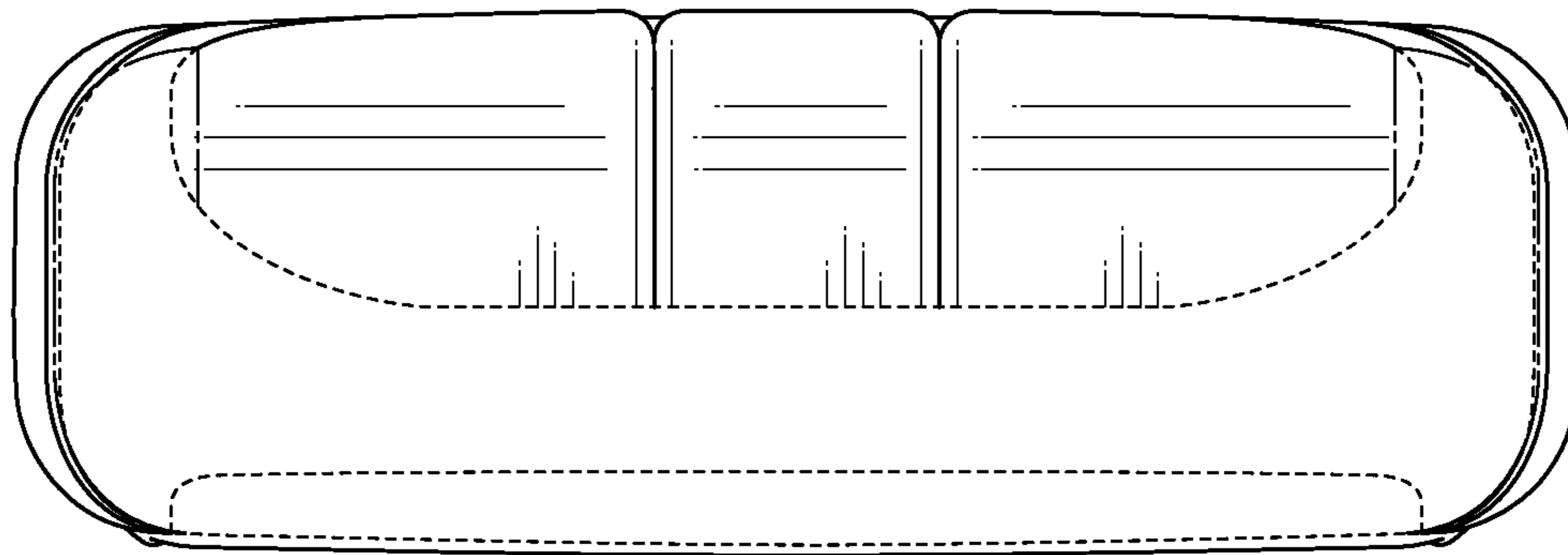




Fig. 8

