



US00D684892S

(12) **United States Design Patent**  
**Yuson**

(10) **Patent No.:** **US D684,892 S**

(45) **Date of Patent:** **\*\* Jun. 25, 2013**

(54) **HANDBAG CLASP**

(56) **References Cited**

(75) Inventor: **Marlin Yuson**, Paris (FR)

U.S. PATENT DOCUMENTS

(73) Assignee: **Cartier Creation Studio SA**, Geneva  
(CH)

D52,489	S	*	9/1918	Palmer	.....	D8/303
D121,348	S	*	7/1940	Jolles	.....	D3/324
D139,526	S	*	11/1944	Lobel	.....	D3/324
2,436,646	A	*	2/1948	Henne	.....	150/109
D377,120	S	*	1/1997	Fendi	.....	D3/318
D383,000	S	*	9/1997	Fendi	.....	D3/324
D637,816	S	*	5/2011	Nitkin	.....	D3/318
D641,648	S	*	7/2011	Bodino	.....	D11/1
D648,133	S	*	11/2011	Wu	.....	D3/318

(\*\*) Term: **14 Years**

\* cited by examiner

(21) Appl. No.: **29/430,253**

*Primary Examiner* — Ralf Seifert

(22) Filed: **Aug. 23, 2012**

(74) *Attorney, Agent, or Firm* — Krieg DeVault LLP;  
Clifford W. Browning

(30) **Foreign Application Priority Data**

Feb. 24, 2012 (WO) ..... DM/077 820

(57) **CLAIM**

The ornamental design for a handbag clasp, as shown and described.

(51) **LOC (9) Cl.** ..... **11-02**

**DESCRIPTION**

(52) **U.S. Cl.**

USPC ..... **D11/200**; D8/324

FIG. 1 is a right side view of the handbag clasp of the present invention.

(58) **Field of Classification Search**

USPC ..... D11/1–2, 200–201, 203–206, 210,  
D11/212, 214–219, 222, 224, 226; 24/163 R,  
24/169–171, 173, 177–179, 191, 194–195,  
24/197, 198, 200, 698.2, 701, 702, 706.2;  
D3/318, 232, 246, 324; D8/303; 150/109

FIG. 2 is a left side view of the handbag clasp of FIG. 1.

FIG. 3 is a top view of the handbag clasp of FIG. 1.

FIG. 4 is a bottom view of the handbag clasp of FIG. 1.

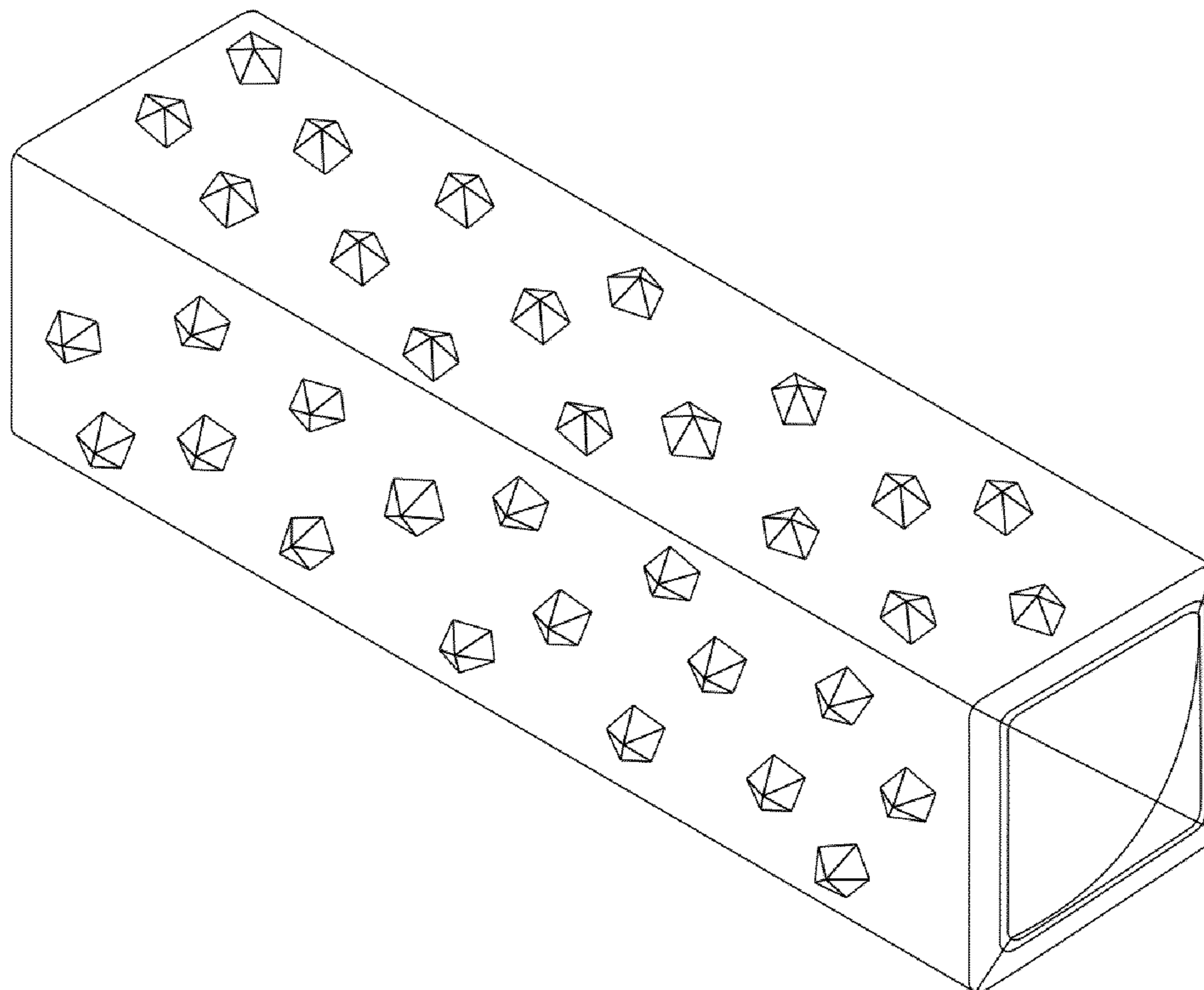
FIG. 5 is a front view of the handbag clasp of FIG. 1.

FIG. 6 is a rear view of the handbag clasp of FIG. 1; and,

FIG. 7 is a top, left-side perspective view of the handbag clasp of FIG. 1.

See application file for complete search history.

**1 Claim, 1 Drawing Sheet**



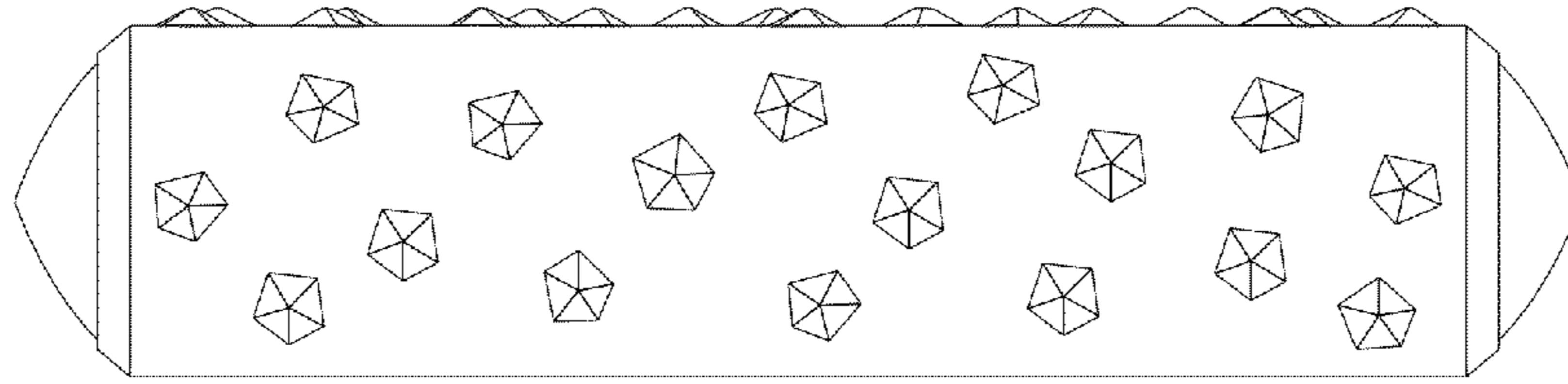


FIG. 1

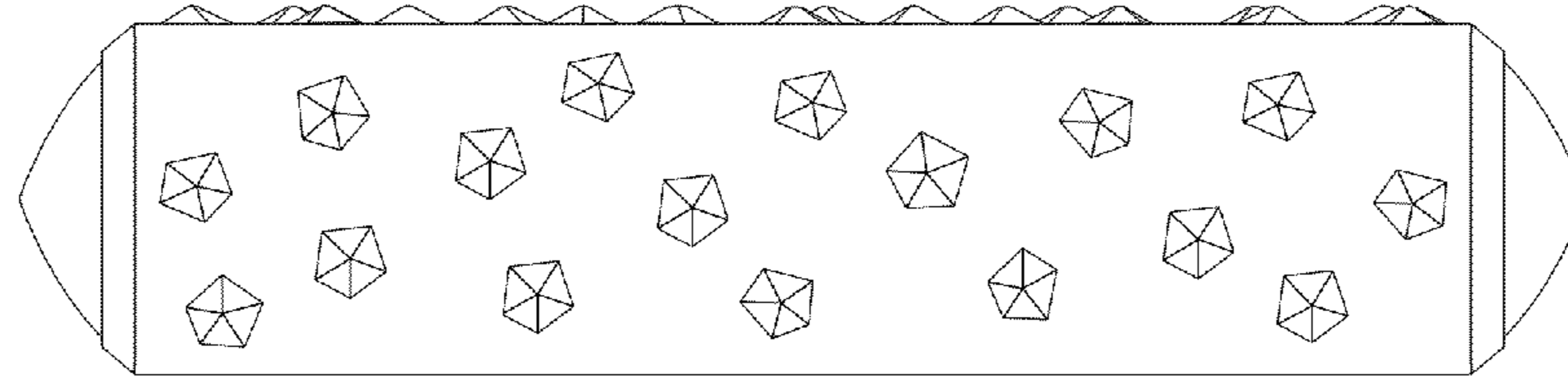


FIG. 2

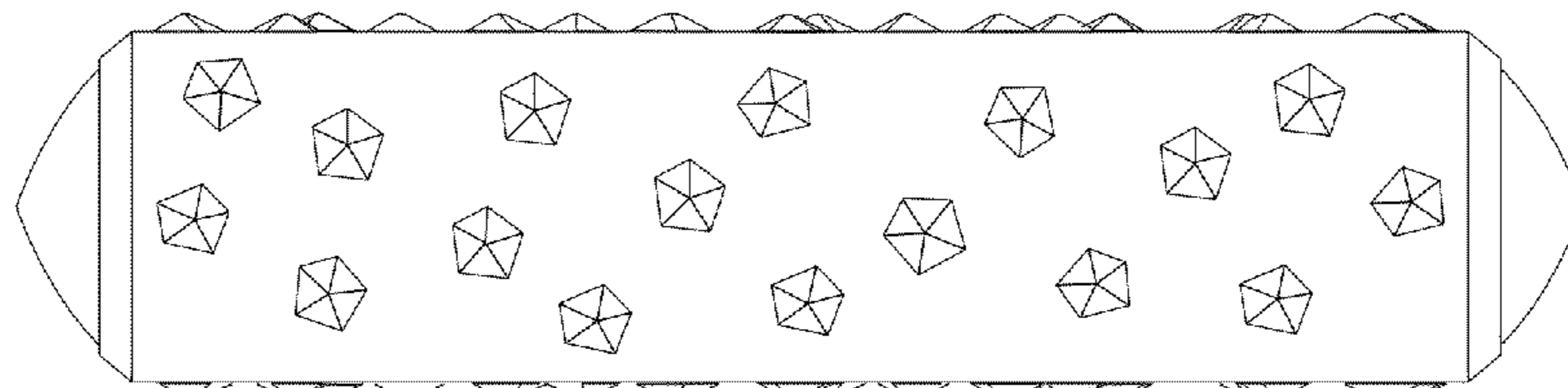


FIG. 3

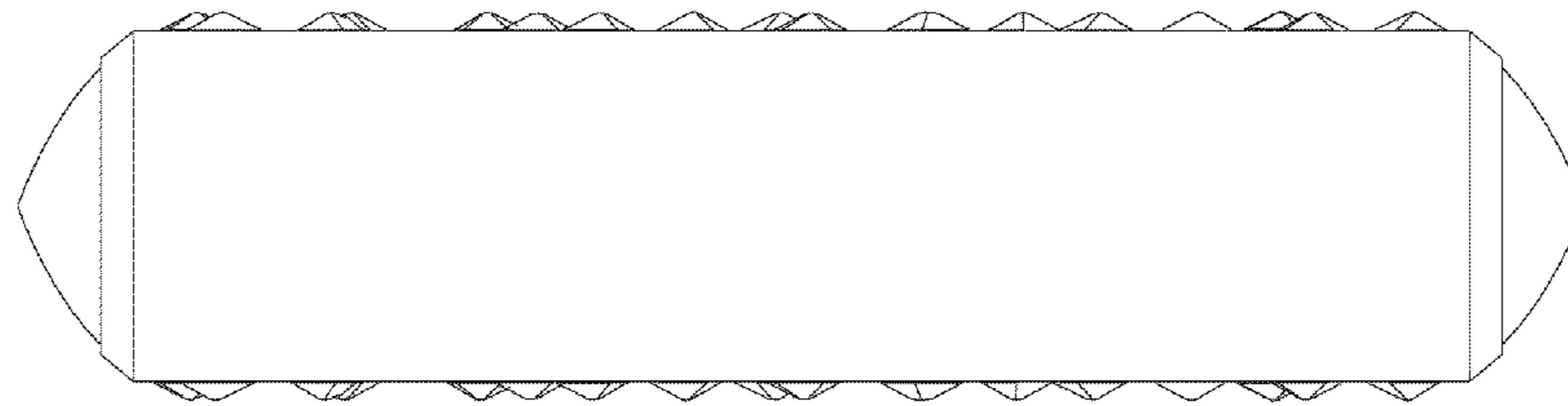


FIG. 4

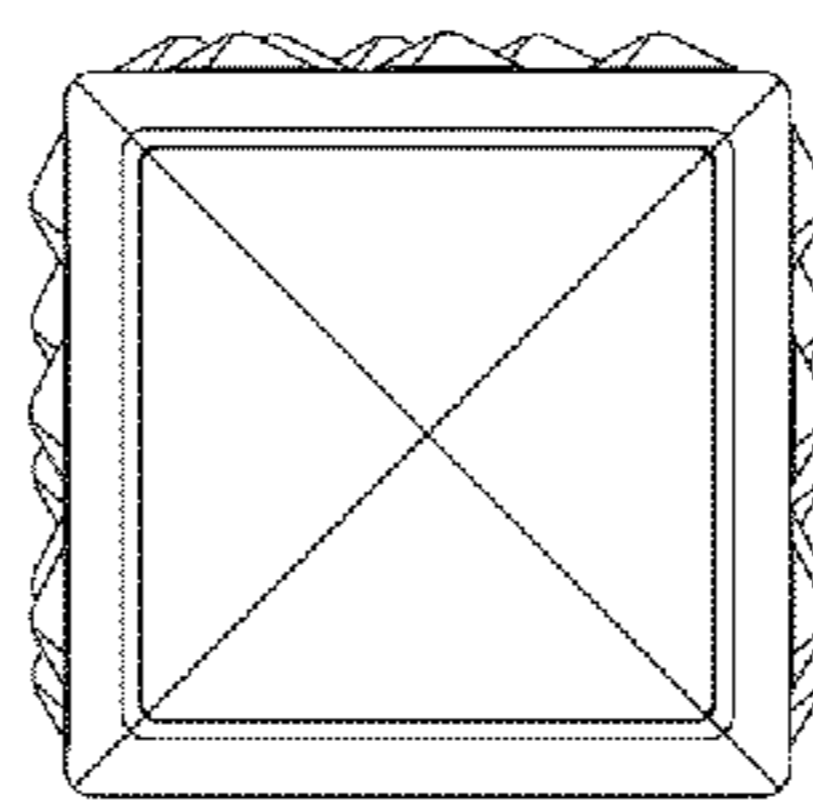


FIG. 5

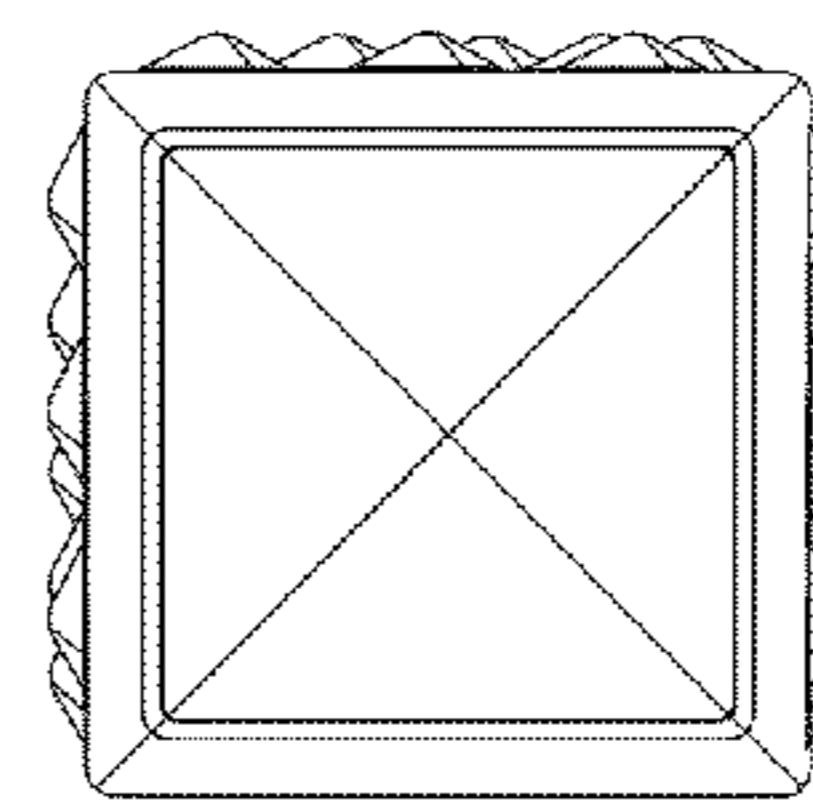


FIG. 6

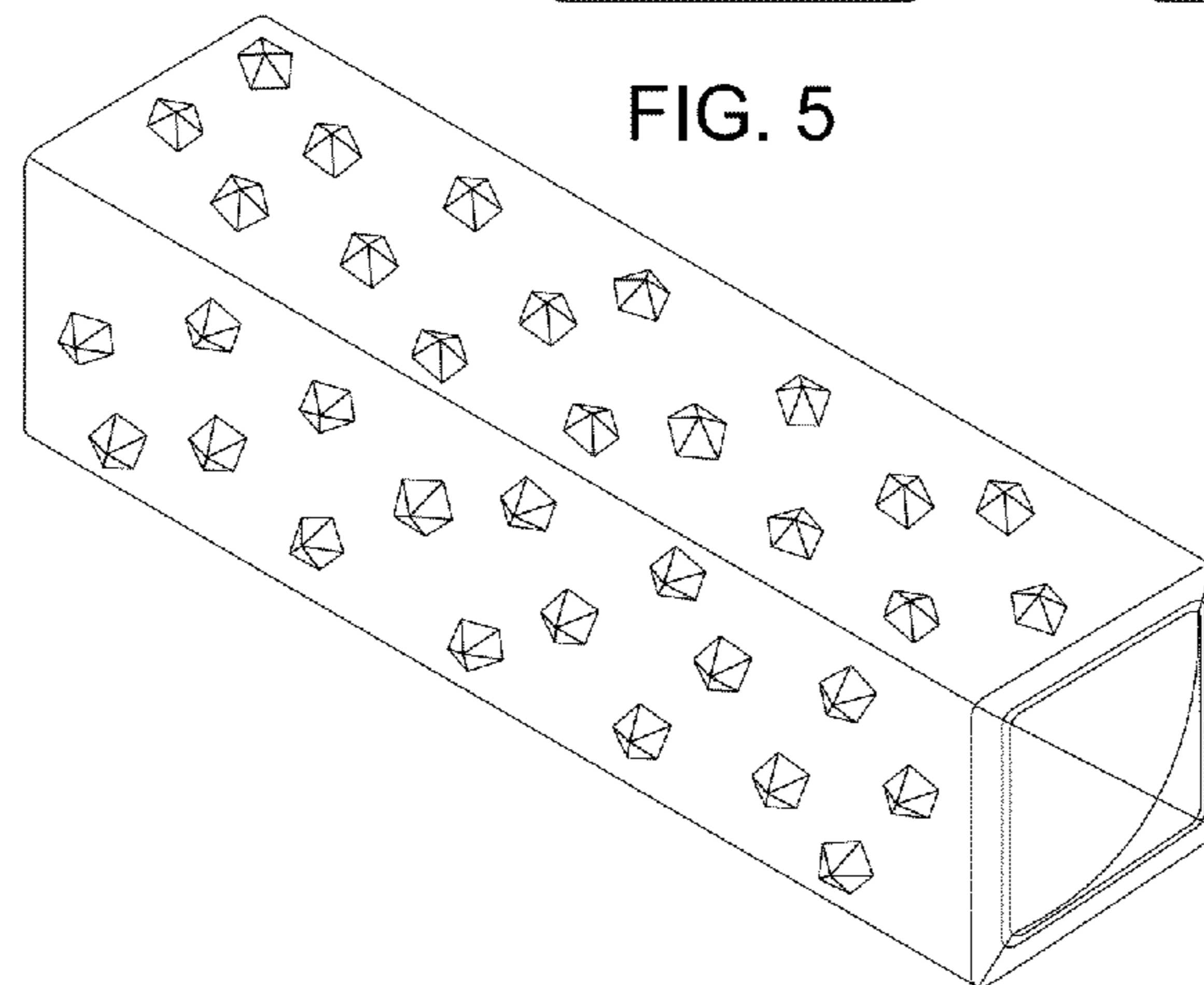


FIG. 7