



US00D684891S

(12) **United States Design Patent**
Team et al.

(10) **Patent No.:** **US D684,891 S**
(45) **Date of Patent:** **** Jun. 25, 2013**

(54) **WINE BARREL PLANTER**

(71) Applicant: **ATT Southern Inc.**, Camp Hill, PA (US)

(72) Inventors: **Hamilton Scott Team**, Loganville, GA (US); **Joseph Fraser**, Woodstock, GA (US)

(73) Assignee: **ATT Southern Inc.**, Camp Hill, PA (US)

(**) Term: **14 Years**

(21) Appl. No.: **29/433,981**

(22) Filed: **Oct. 8, 2012**

(51) **LOC (9) Cl.** **11-02**

(52) **U.S. Cl.**
USPC **D11/149**

(58) **Field of Classification Search**
USPC D6/403-405, 556-558; D8/1; D11/143-156, D11/164; D19/77, 80, 81, 84; D25/100; D26/9-11, 16, 19; D34/1, 2, 4-6; D99/5, D99/19; 47/17, 32.4, 32.5, 33, 39, 41.01, 47/41.1, 41.11-41.15, 44-47, 65, 65.5, 65.9, 47/66.1, 66.6, 66.7, 67-71
See application file for complete search history.

(56) **References Cited**

U.S. PATENT DOCUMENTS

D253,268 S * 10/1979 Whitmire D11/149
D255,736 S * 7/1980 Whitmire D11/149

D293,823 S * 1/1988 Fieschi et al. D26/11
6,173,530 B1 * 1/2001 Holt 47/66.1
D491,487 S * 6/2004 Buss D11/152
D492,617 S * 7/2004 Axworthy D11/149
D503,654 S 4/2005 Harbaugh
D504,353 S 4/2005 Harbaugh
D556,627 S * 12/2007 Arev D11/155
D665,300 S * 8/2012 Pedersen et al. D11/155

* cited by examiner

Primary Examiner — Garth Rademaker

(74) *Attorney, Agent, or Firm* — Eckert Seamans Cherin & Mellott, LLC; David C. Jenkins

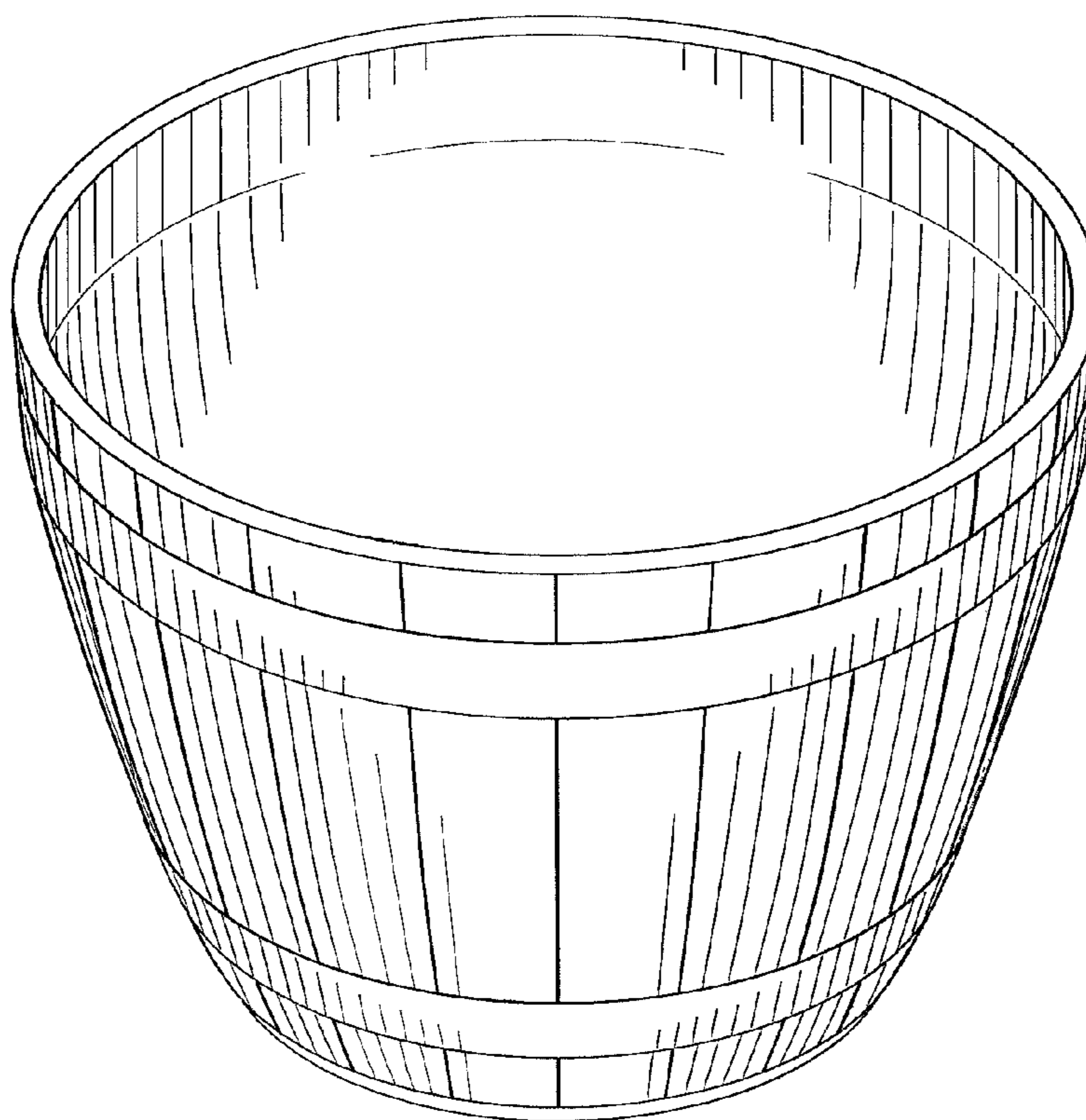
(57) **CLAIM**

The ornamental design for a wine barrel planter, as shown and described.

DESCRIPTION

FIG. 1 is an isometric view of a wine barrel planter; FIG. 2 is a front side view of a wine barrel planter; FIG. 3 is a back side view of a wine barrel planter; FIG. 4 is a left side view of a wine barrel planter; FIG. 5 is a right side view of a wine barrel planter; FIG. 6 is a top side view of a wine barrel planter; and, FIG. 7 is a bottom side view of a wine barrel planter. The broken lines depict portions of the wine barrel planter which form no part of the claimed design.

1 Claim, 4 Drawing Sheets



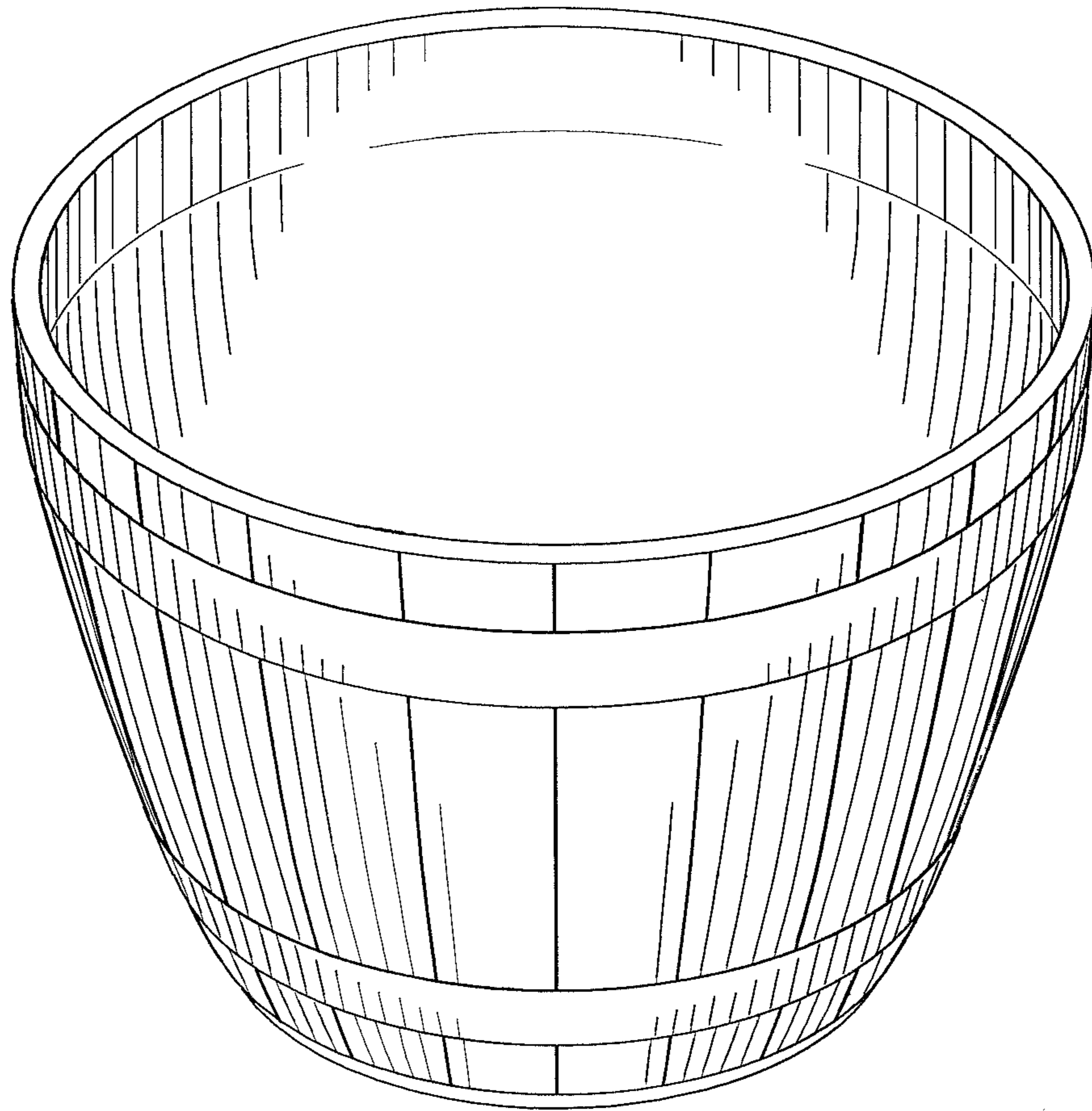


FIG. 1

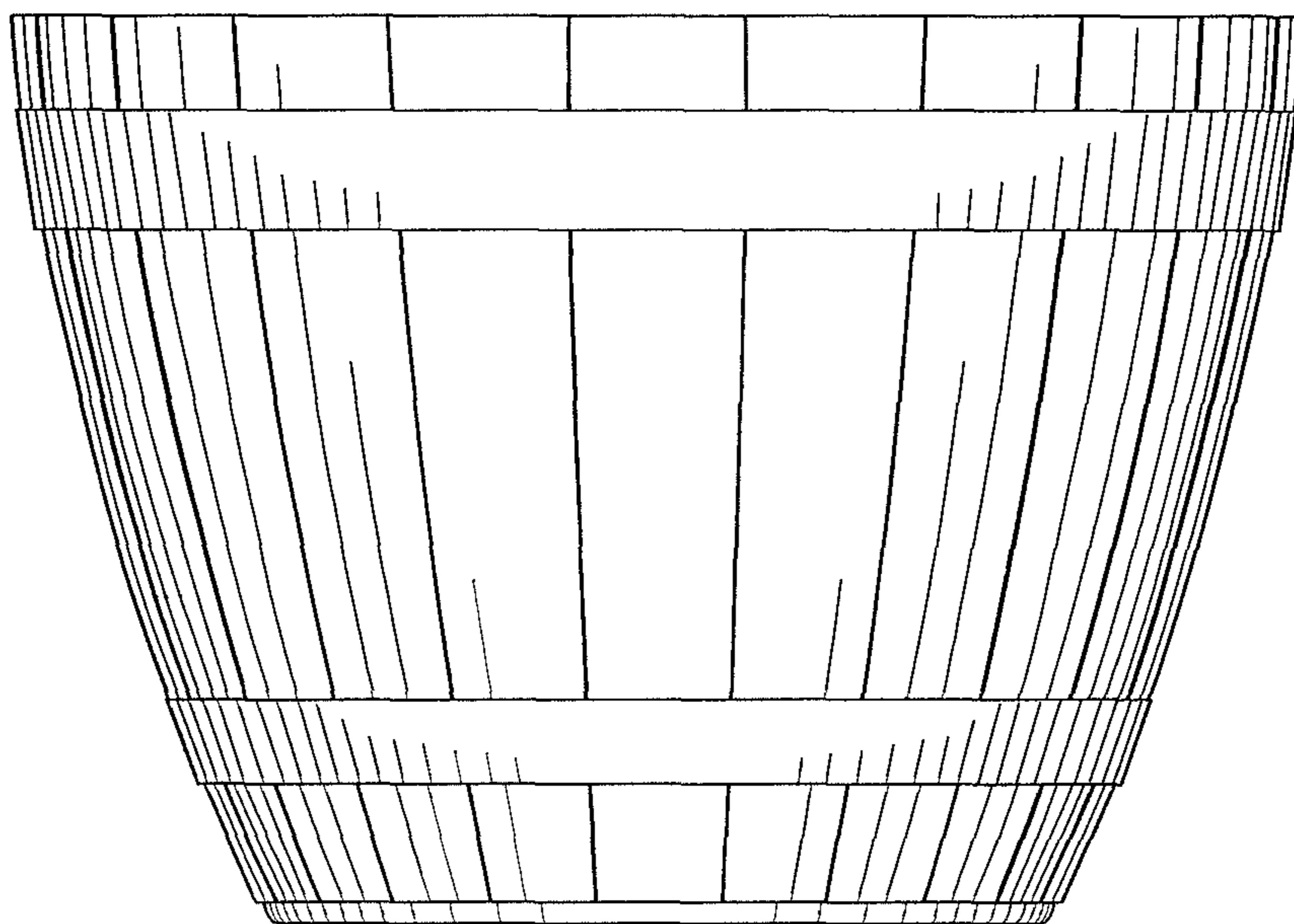


FIG. 2

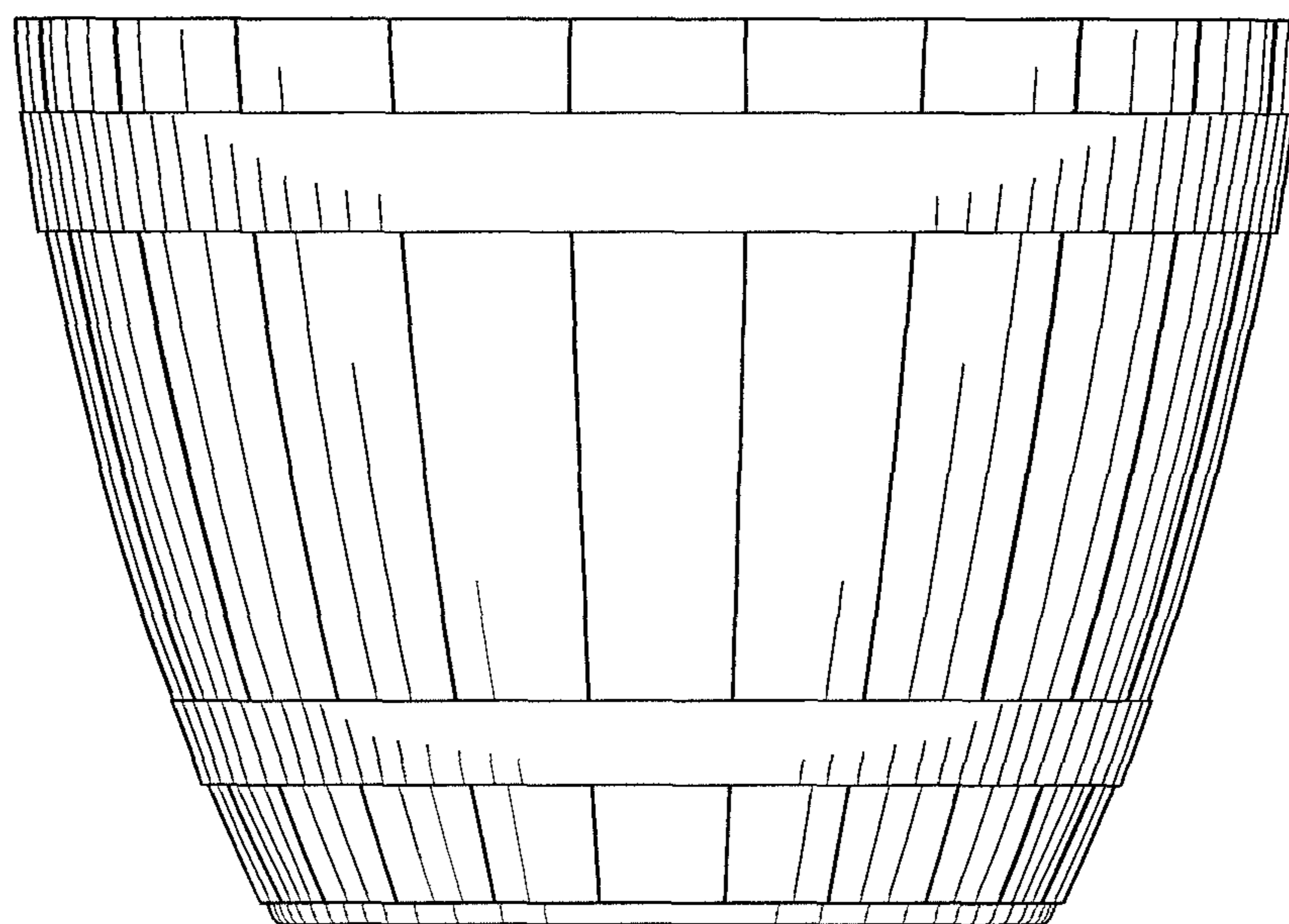


FIG. 3

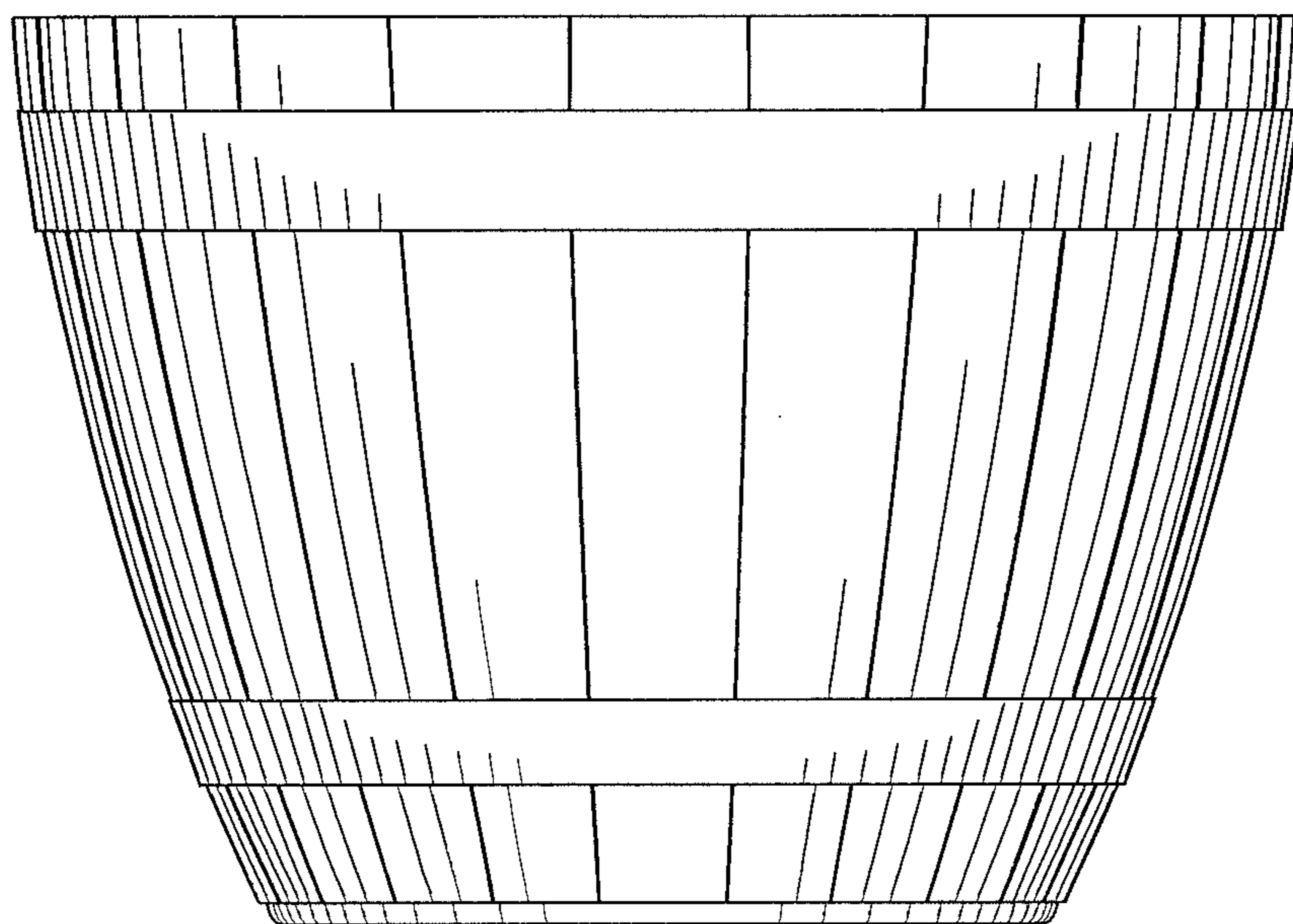


FIG. 4

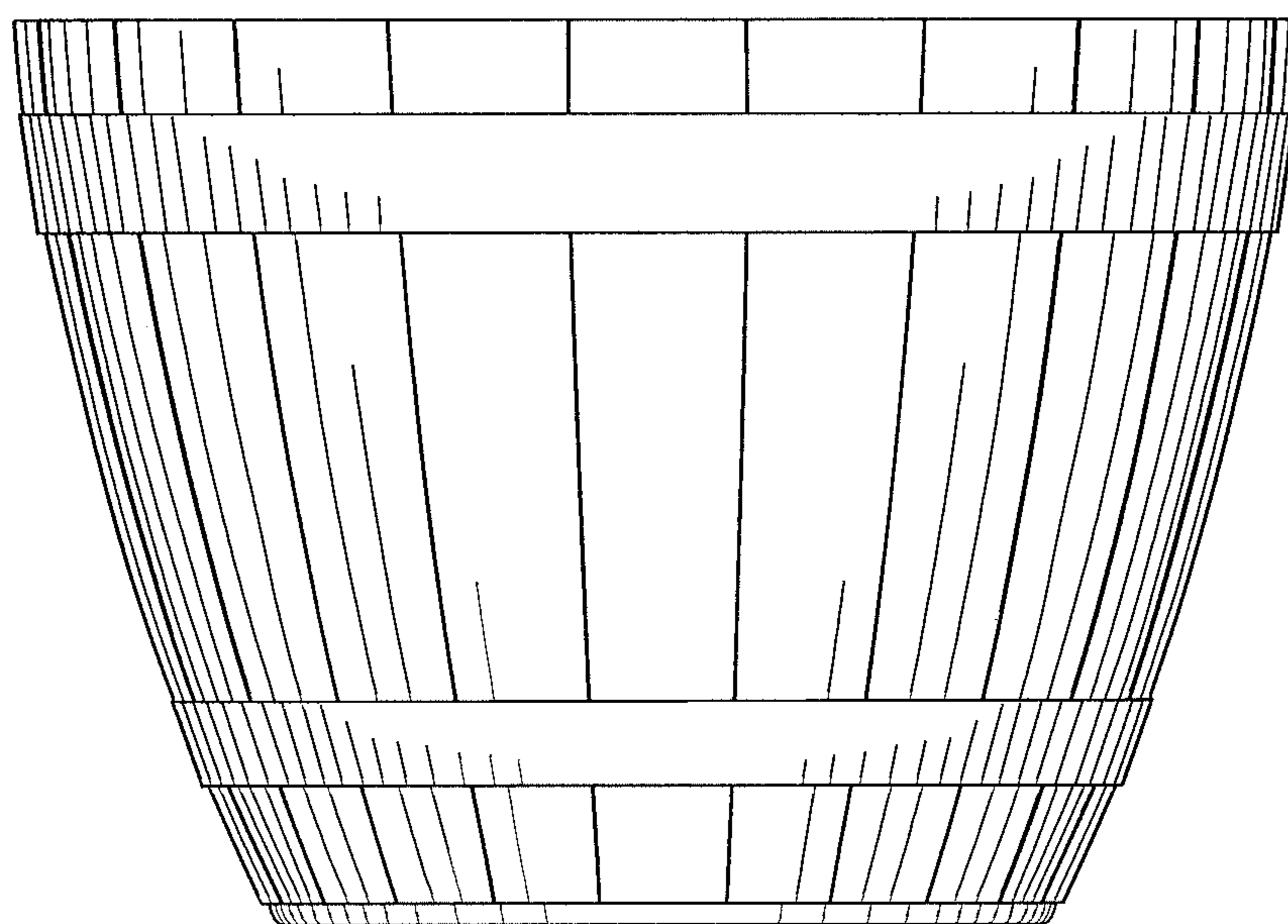


FIG. 5

