



US00D684890S

(12) **United States Design Patent**  
**Zahmel**

(10) **Patent No.:** **US D684,890 S**  
(45) **Date of Patent:** **\*\* Jun. 25, 2013**

(54) **PORTABLE, SMALL SCALE INDOOR  
AQUAPONIC SYSTEM**

D278,989 S \* 5/1985 Baumann ..... D11/152  
D381,600 S \* 7/1997 Yurkovic ..... D11/143  
D485,207 S \* 1/2004 Dion ..... D11/143

(75) Inventor: **Clint Benjamin Zahmel**, Brisbane (AU)

\* cited by examiner

(73) Assignee: **Aquaponicals Pty Ltd.**, Brisbane (AU)

*Primary Examiner* — Garth Rademaker

(\*\*) Term: **14 Years**

(74) *Attorney, Agent, or Firm* — Knobbe, Martens, Olson & Bear LLP

(21) Appl. No.: **29/413,897**

(22) Filed: **Feb. 22, 2012**

(30) **Foreign Application Priority Data**

Aug. 23, 2011 (AU) ..... 137342011  
Aug. 23, 2011 (AU) ..... 137352011  
Aug. 23, 2011 (AU) ..... 137362011

(51) **LOC (9) Cl.** ..... **11-02**

(52) **U.S. Cl.**  
USPC ..... **D11/145; D11/155**

(58) **Field of Classification Search**  
USPC D6/403-405, 556-558; D8/1; D11/143-156,  
D11/164; D19/77, 80, 81, 84; D25/100;  
D26/9-11, 16, 19; D34/1, 2, 4-6; D99/5,  
D99/19; 47/17, 32.4, 32.5, 32.7, 33, 39, 41.01,  
47/41.1, 41.11-41.15, 44-47, 65, 65.5, 65.9,  
47/66.1, 66.2, 66.6, 66.7, 67-71  
See application file for complete search history.

(56) **References Cited**

**U.S. PATENT DOCUMENTS**

152,758 A \* 7/1874 Mills ..... D11/155  
D194,793 S \* 3/1963 Perl et al. .... D11/145  
D240,448 S \* 7/1976 Hitomi ..... D11/145  
4,285,164 A \* 8/1981 Moore ..... 47/69

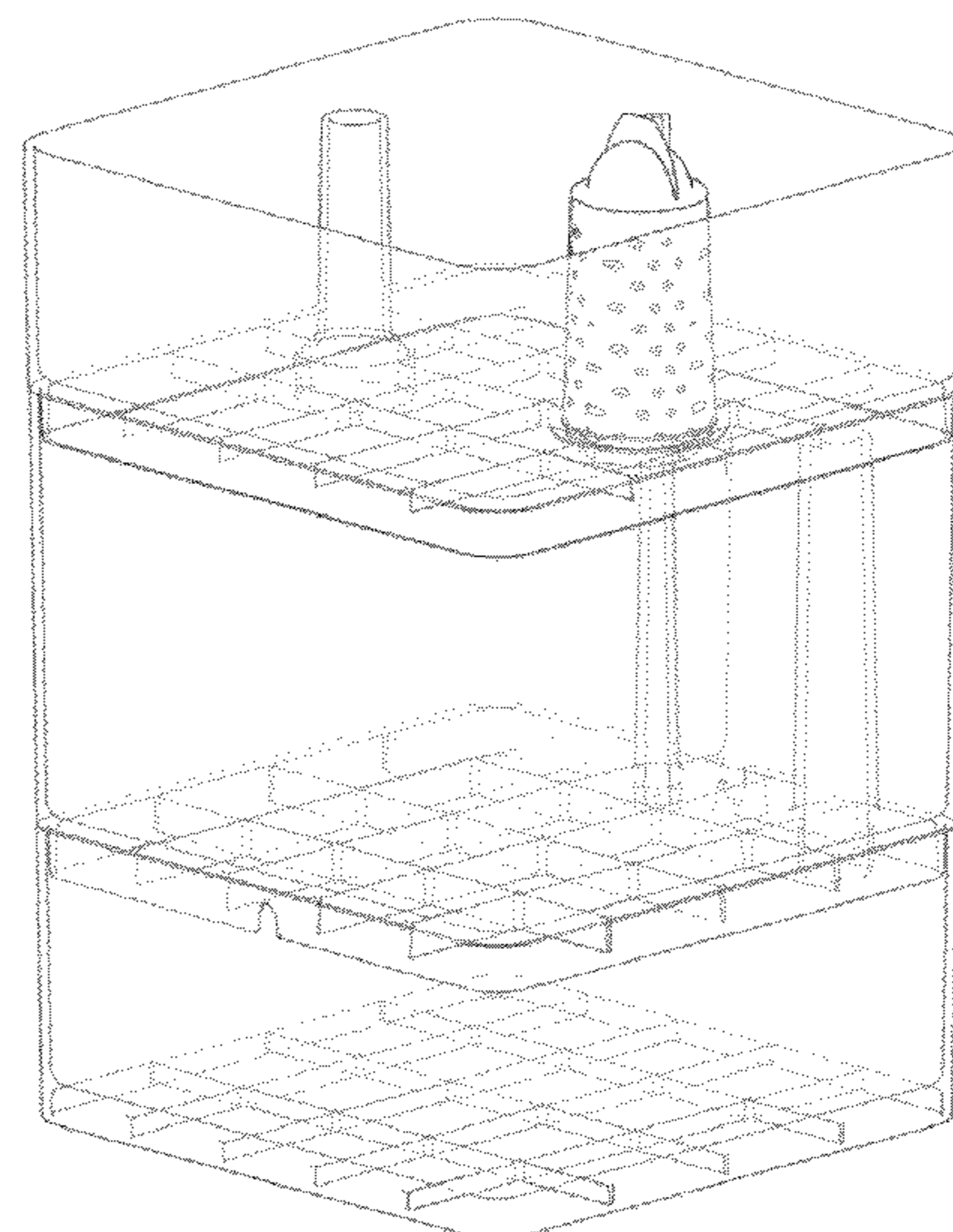
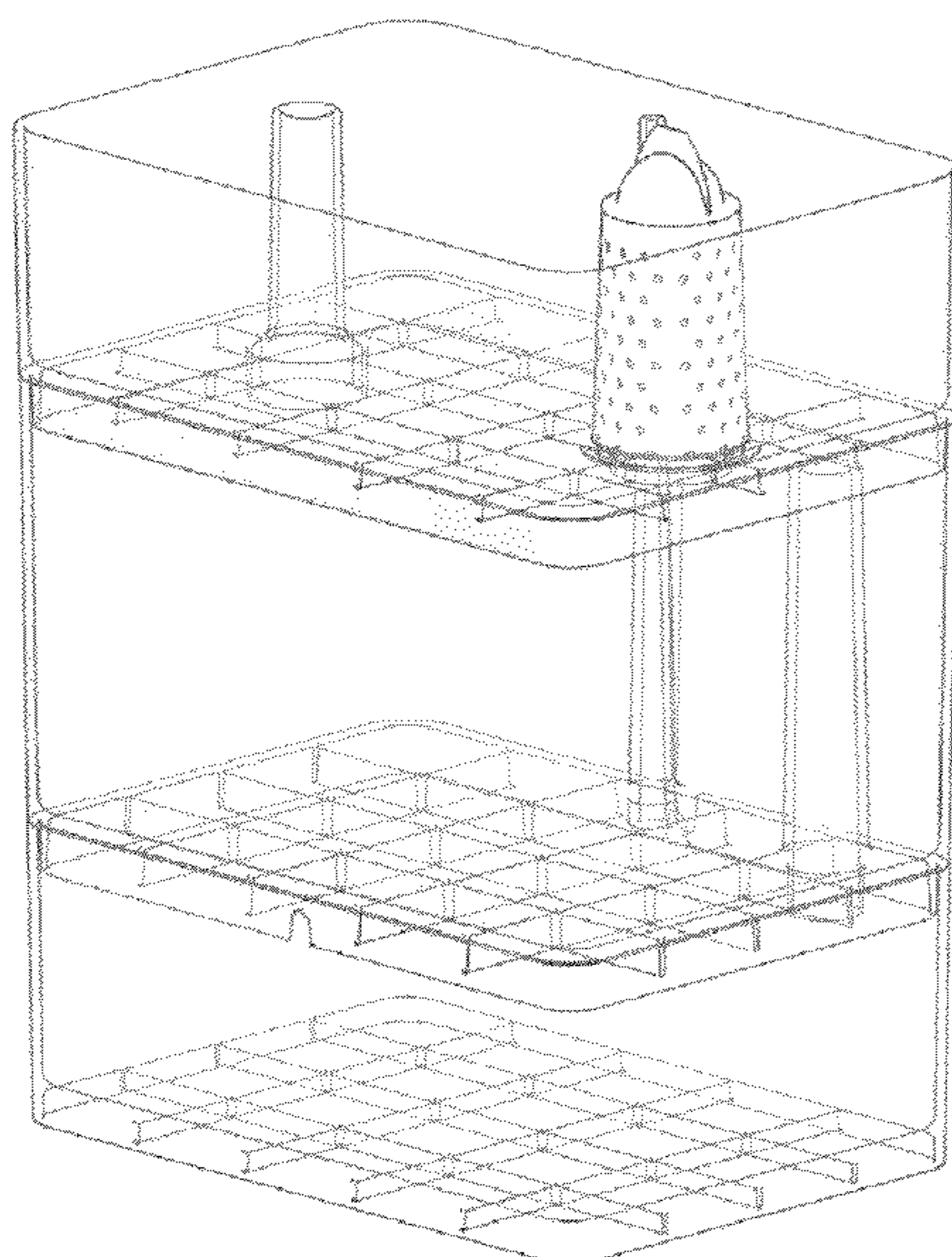
(57) **CLAIM**

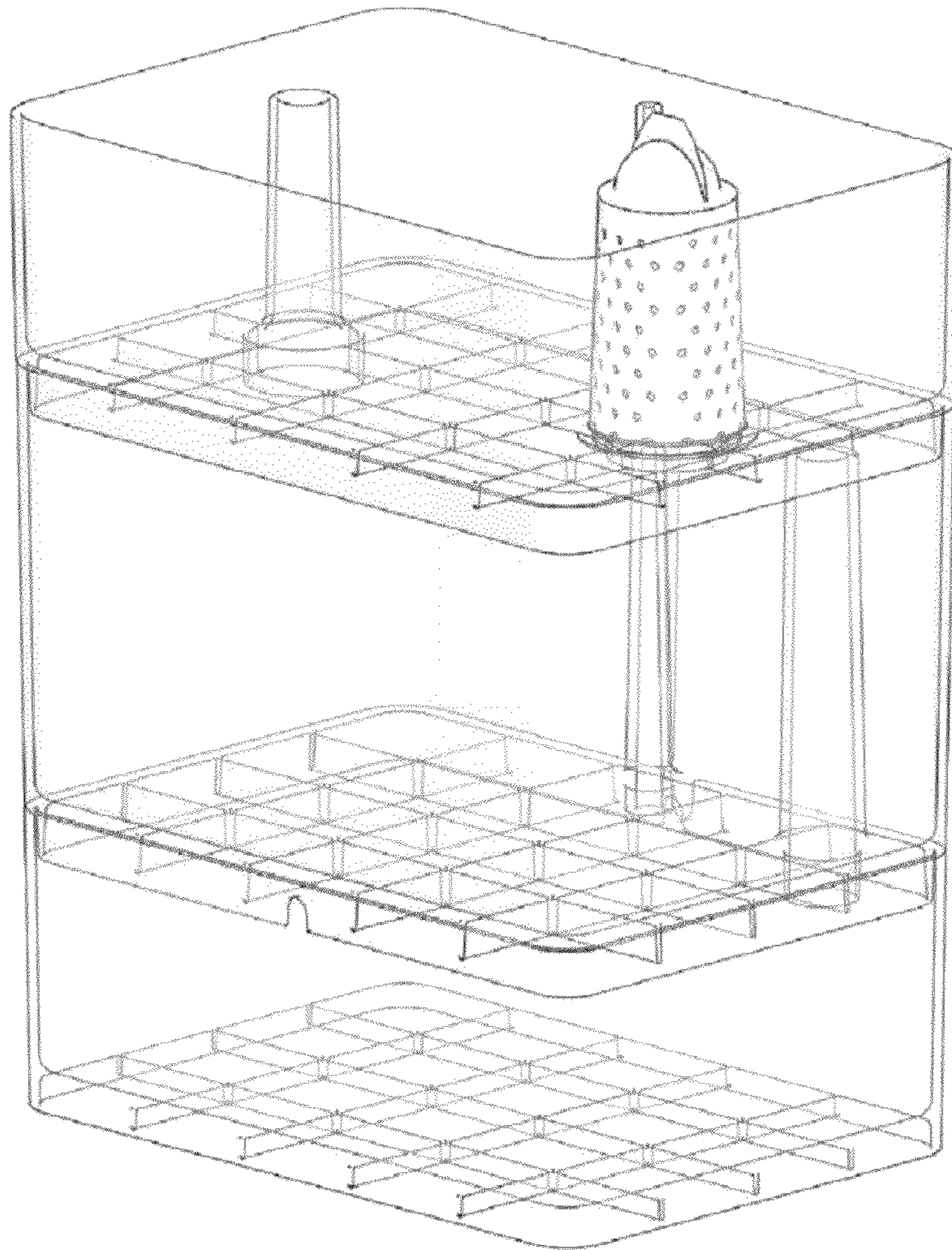
The ornamental design for a portable, small scale indoor aquaponic system, as shown and described.

**DESCRIPTION**

FIG. 1 is a front perspective view of a first embodiment of a portable, small scale indoor aquaponic system configured in accordance with the present invention;  
FIG. 2 is an exploded view thereof;  
FIG. 3 is a cross-sectional view thereof, taken along line 3-3 of FIG. 4;  
FIG. 4 is a top plan view thereof, not showing the grid-like support structure at the bottom of each tier for ease of illustration;  
FIG. 5 is a front perspective view of a second embodiment of a portable, small scale indoor aquaponic system in accordance with the present invention;  
FIG. 6 is an exploded view thereof;  
FIG. 7 is a cross-sectional view thereof, taken along line 7-7 of FIG. 8; and,  
FIG. 8 is a top plan view thereof, not showing the grid-like support structure at the bottom of each tier for ease of illustration.

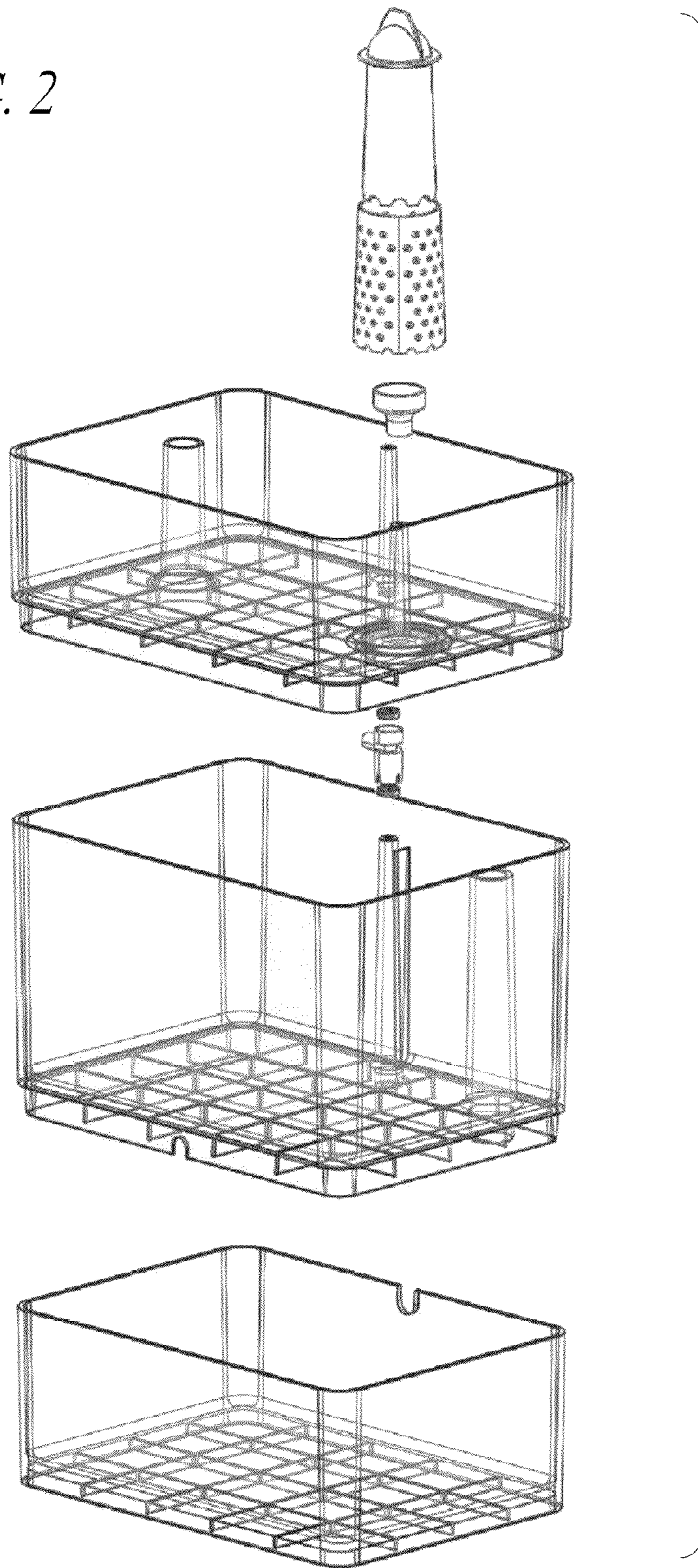
**1 Claim, 8 Drawing Sheets**

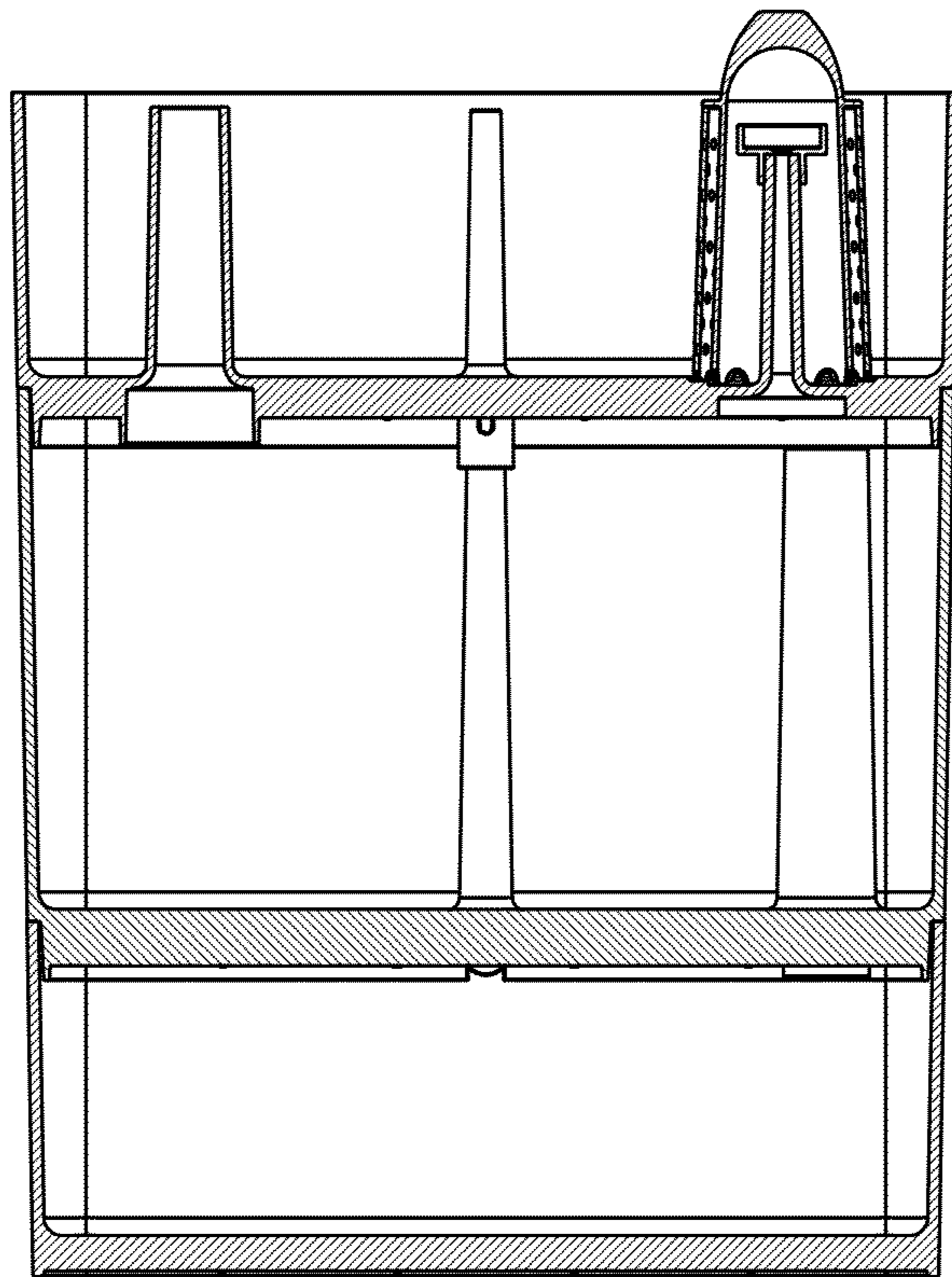




*FIG. 1*

*FIG. 2*





*FIG. 3*

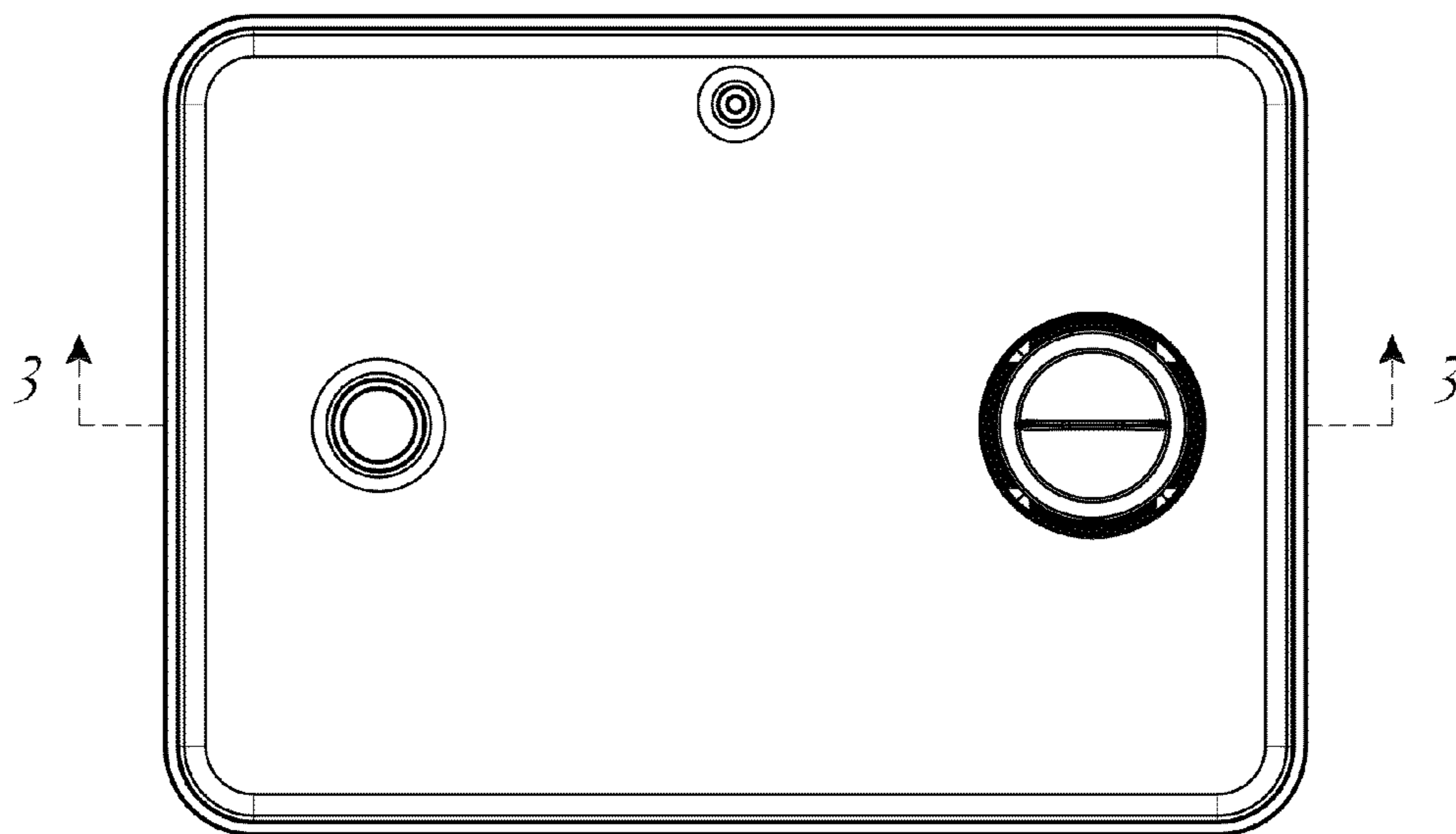
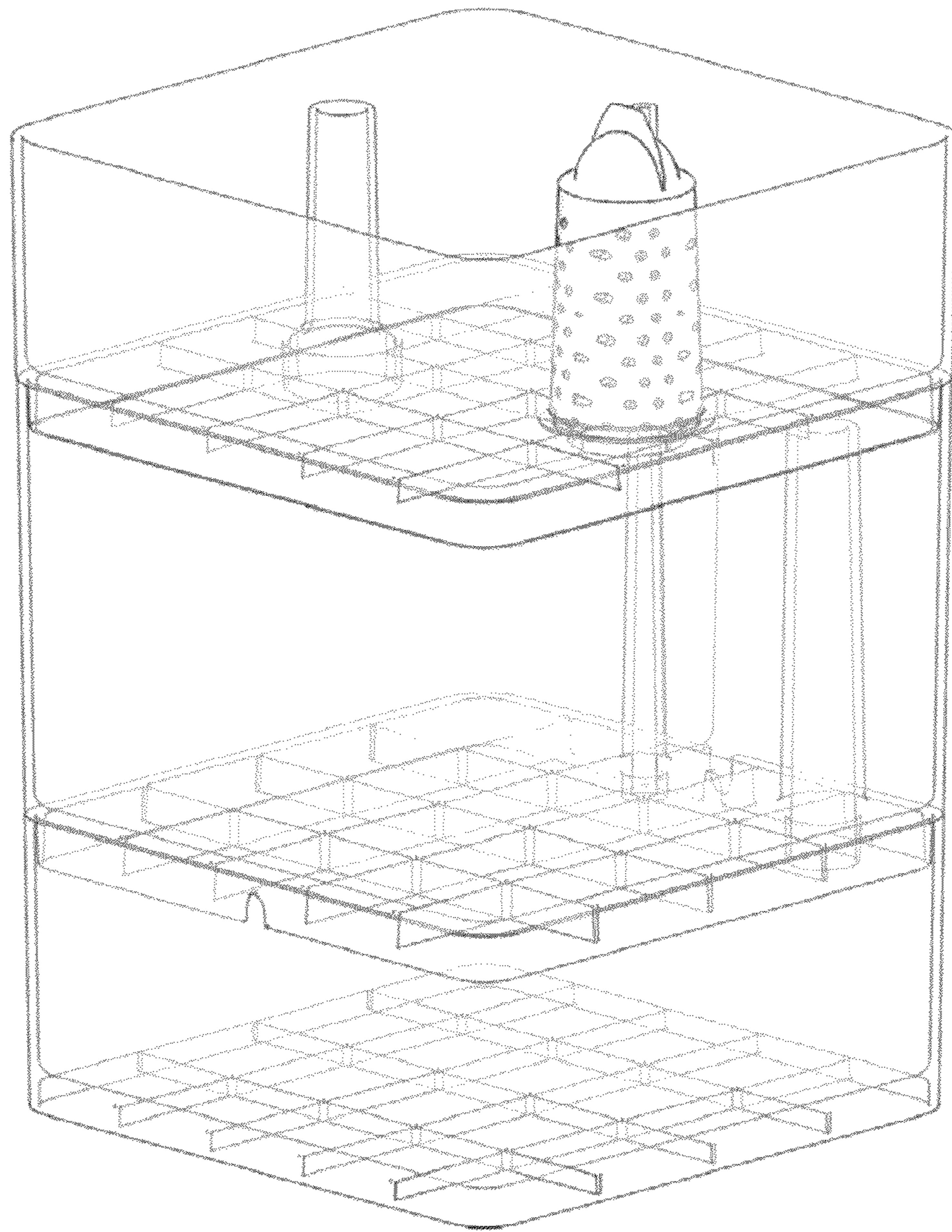
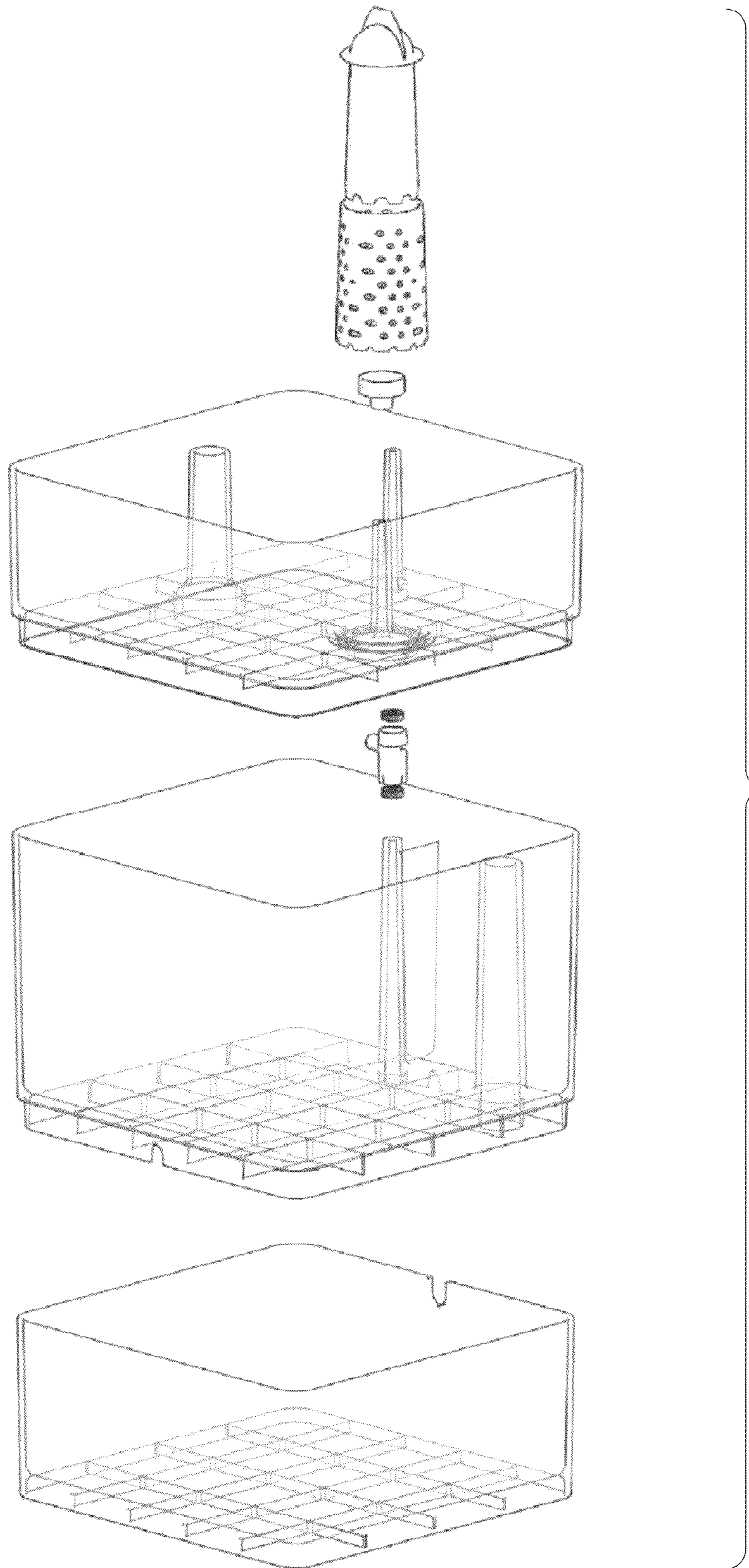


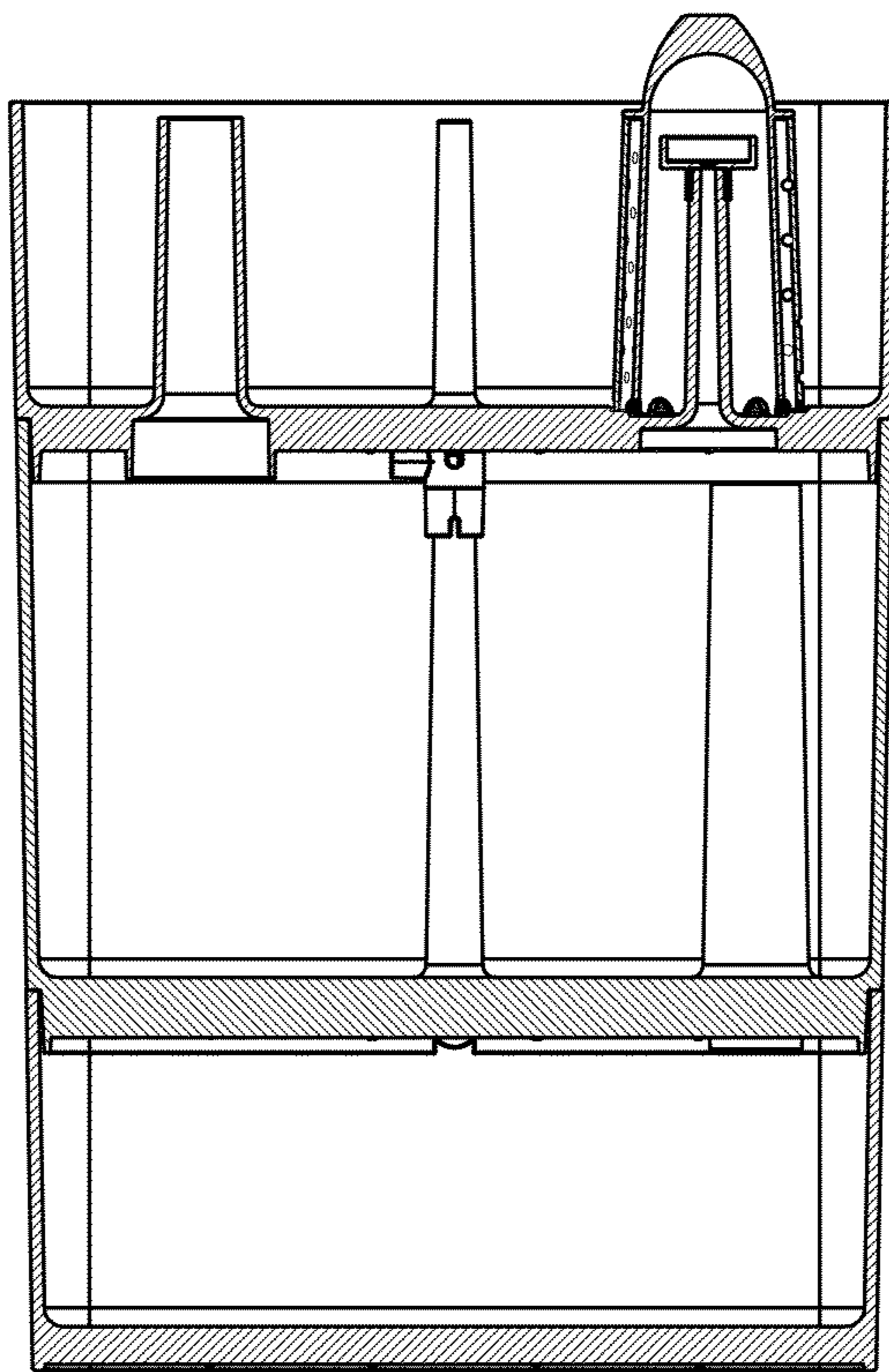
FIG. 4



*FIG. 5*

FIG. 6





*FIG. 7*



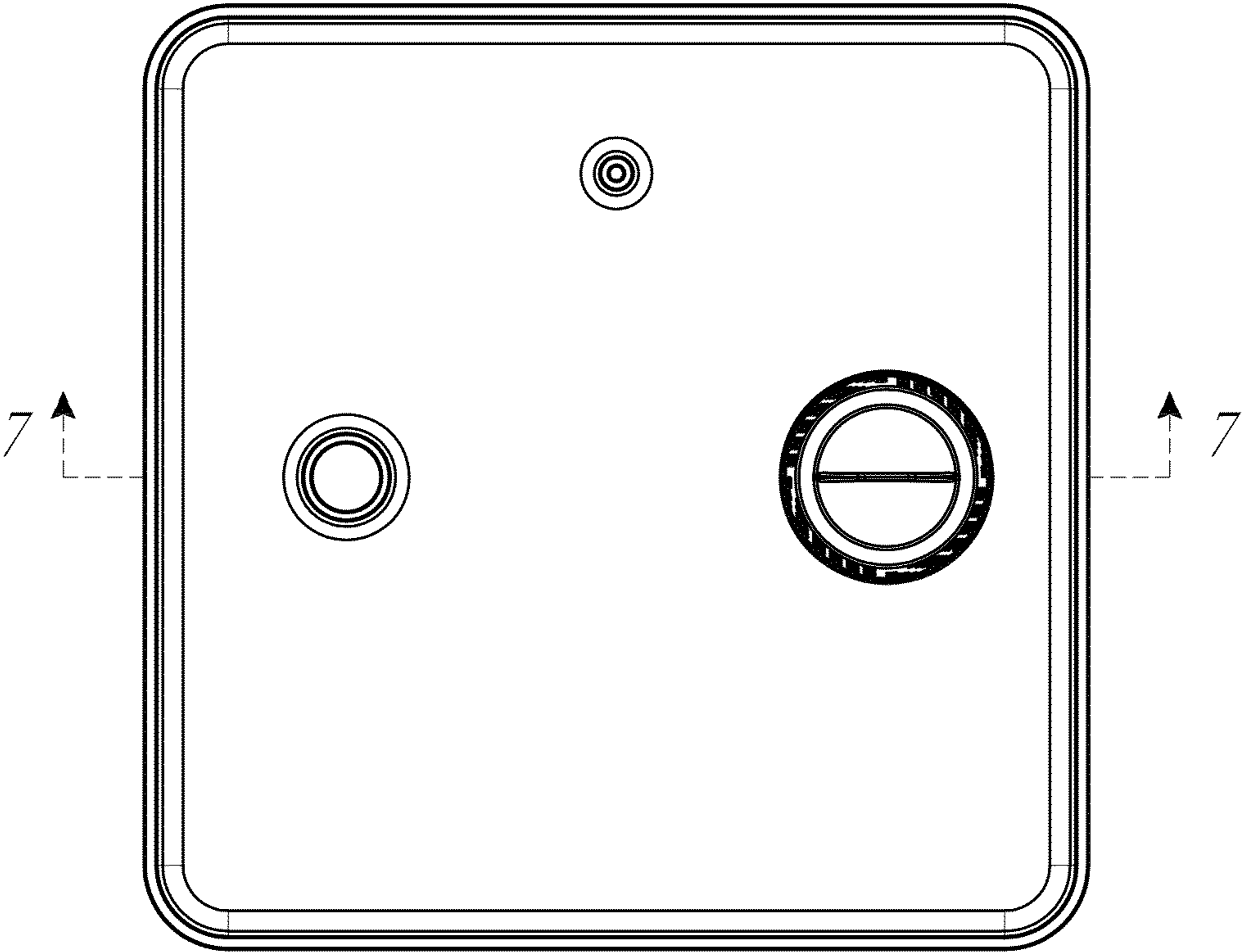


FIG. 8