



US00D684889S

(12) **United States Design Patent**
Tang

(10) **Patent No.:** **US D684,889 S**

(45) **Date of Patent:** **** Jun. 25, 2013**

(54) **MODULAR PLANTER**

(76) Inventor: **Jackson Tang**, Kowloo (HK)

(**) Term: **14 Years**

(21) Appl. No.: **29/410,138**

(22) Filed: **Jan. 4, 2012**

(51) **LOC (9) Cl.** **11-02**

(52) **U.S. Cl.**
USPC **D11/143**

(58) **Field of Classification Search**

USPC D6/403-405, 556-558; D8/1; D11/143-156,
D11/164; D19/77, 80, 81, 84; D25/100;
D26/9-11, 16, 19; D34/1, 2, 4-6; D99/5,
D99/19; 47/17, 32.4, 32.5, 32.7, 33.39, 41.01,
47/41.1, 41.11-41.15, 44-47, 63, 65.5, 65.9,
47/66.1, 66.2, 66.6, 66.7, 67-71

See application file for complete search history.

(56) **References Cited**

U.S. PATENT DOCUMENTS

152,758	A *	7/1874	Mills	D11/155
986,395	A *	3/1911	King	47/33
D209,240	S *	11/1967	Plogsted	D11/143
4,355,484	A *	10/1982	Mandish	D11/143
D325,281	S *	4/1992	Jordan	D3/302
D555,034	S *	11/2007	Van de Wetering	D11/134
D615,450	S *	5/2010	Cherem	D11/143
D643,775	S *	8/2011	Hashimoto	D11/143

* cited by examiner

Primary Examiner — Garth Rademaker

(57) **CLAIM**

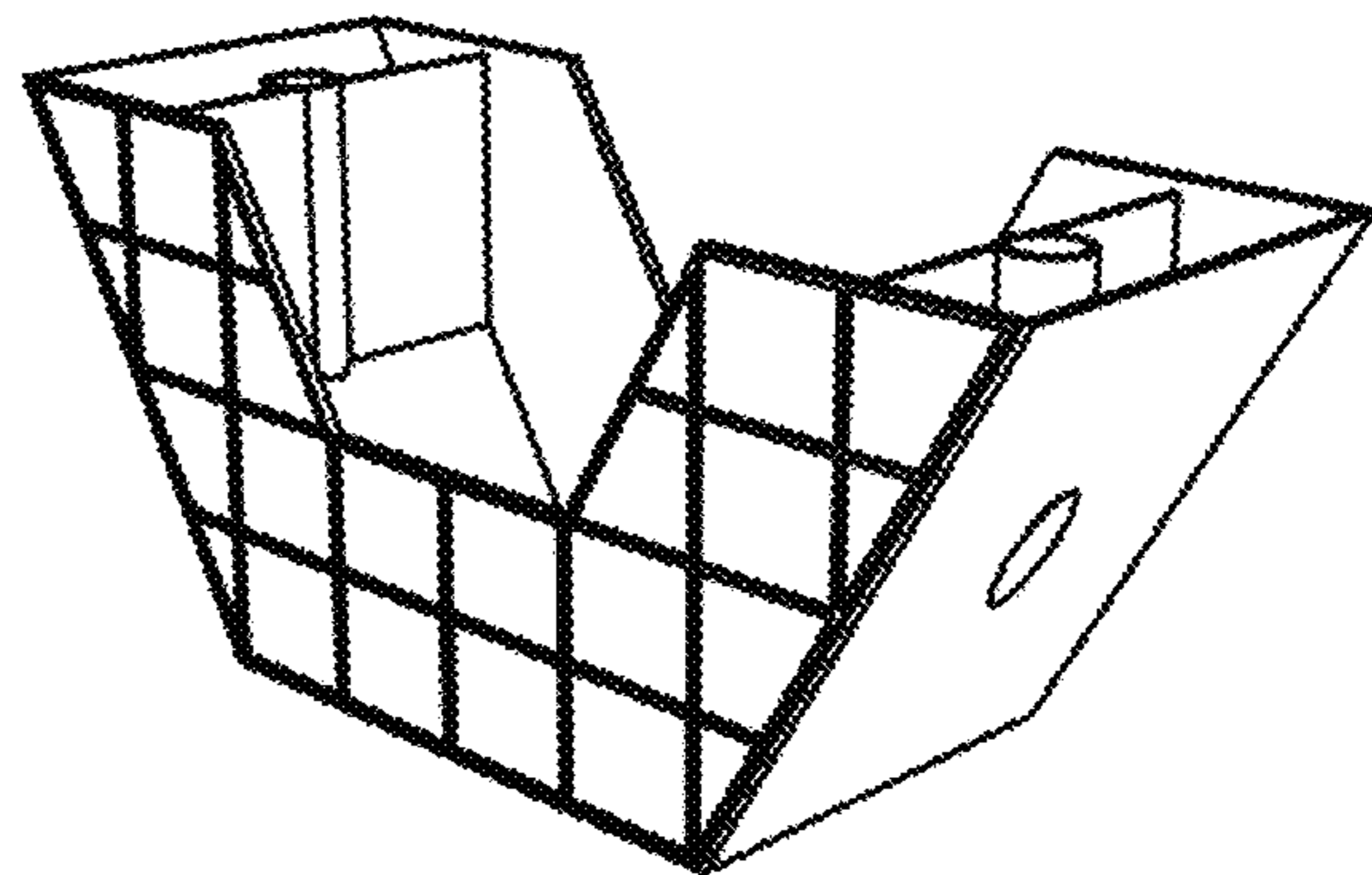
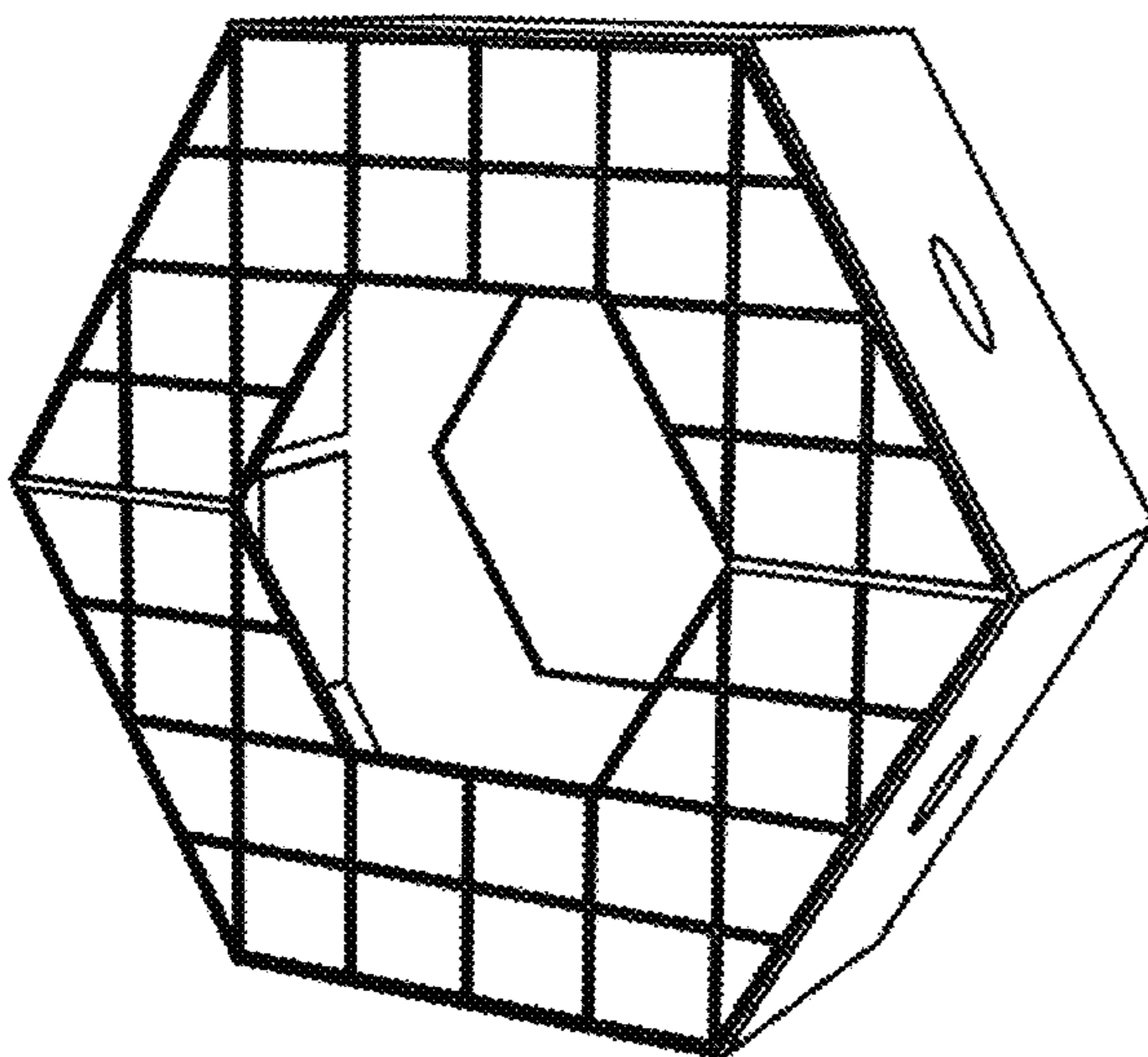
The ornamental design for a modular planter, as shown and described.

DESCRIPTION

FIG. 1 is a top perspective view of first embodiment of a modular planter showing my new design;
 FIG. 2 is a front perspective view thereof, shown at an enlarged scale;
 FIG. 3 is a front elevation view thereof, the back elevation view being a mirror image thereof;
 FIG. 4 is a side elevation view thereof, the opposite side elevation view being a mirror image thereof;
 FIG. 5 is a top plan view thereof, the bottom plan view being a mirror image thereof;
 FIG. 6 is a front perspective view of a second embodiment of a modular planter showing my new design;
 FIG. 7 is a front, bottom, side perspective view thereof;
 FIG. 8 is a rear, top, opposite side perspective view thereof;
 FIG. 9 is a front perspective view of the first embodiment, shown in an environment of use; and,
 FIG. 10 is a front perspective view of the second embodiment shown in an environment of use.

The broken lines in FIGS. 9 and 10 depict environmental subject matter only and form no part of the claimed design. The circles on the sides of each of the embodiments represent hollow cavities for the placement of cylindrical pins to secure multiple modules together. Such pins form no part of the claimed design.

1 Claim, 10 Drawing Sheets



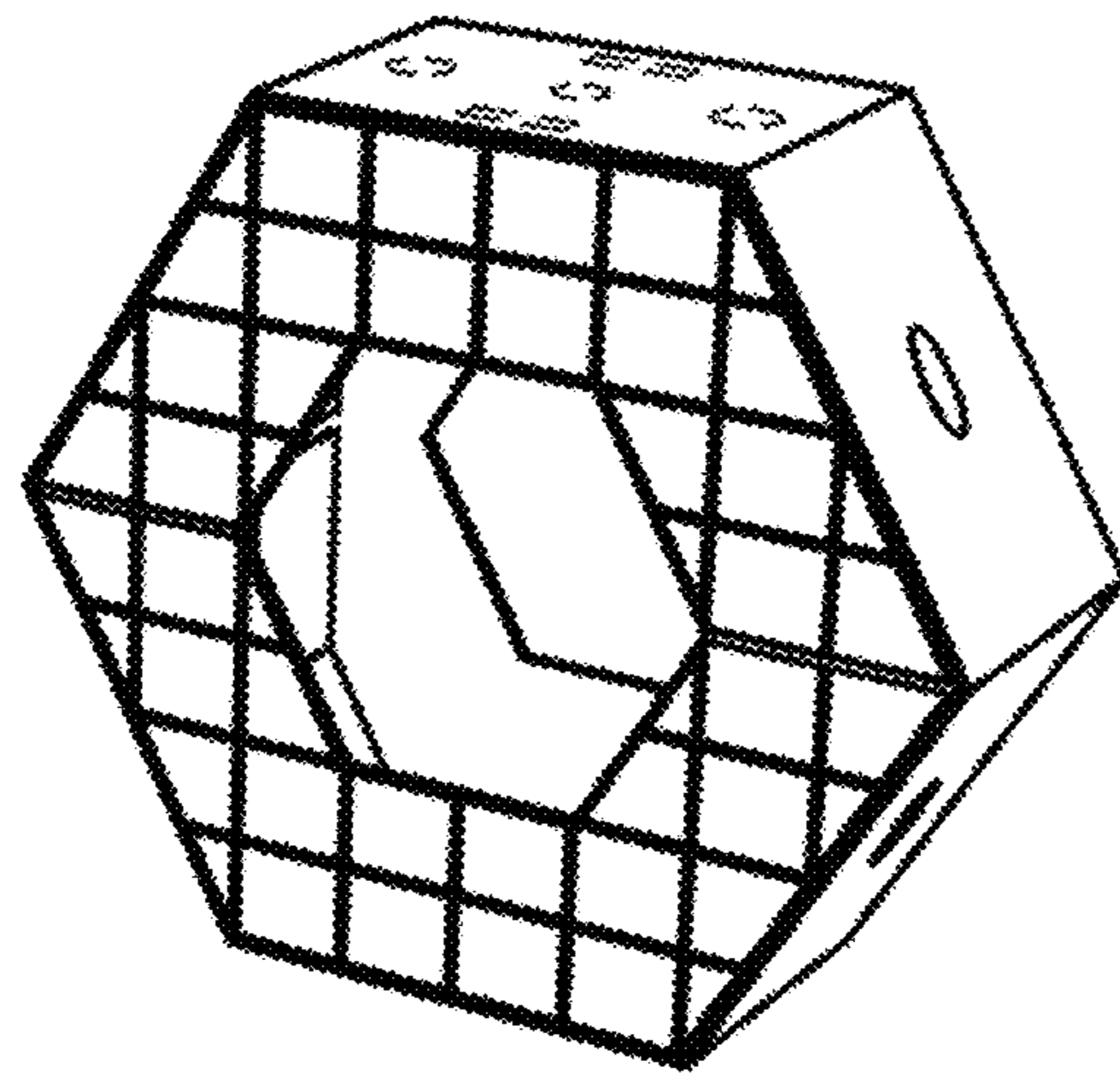


Fig. 1

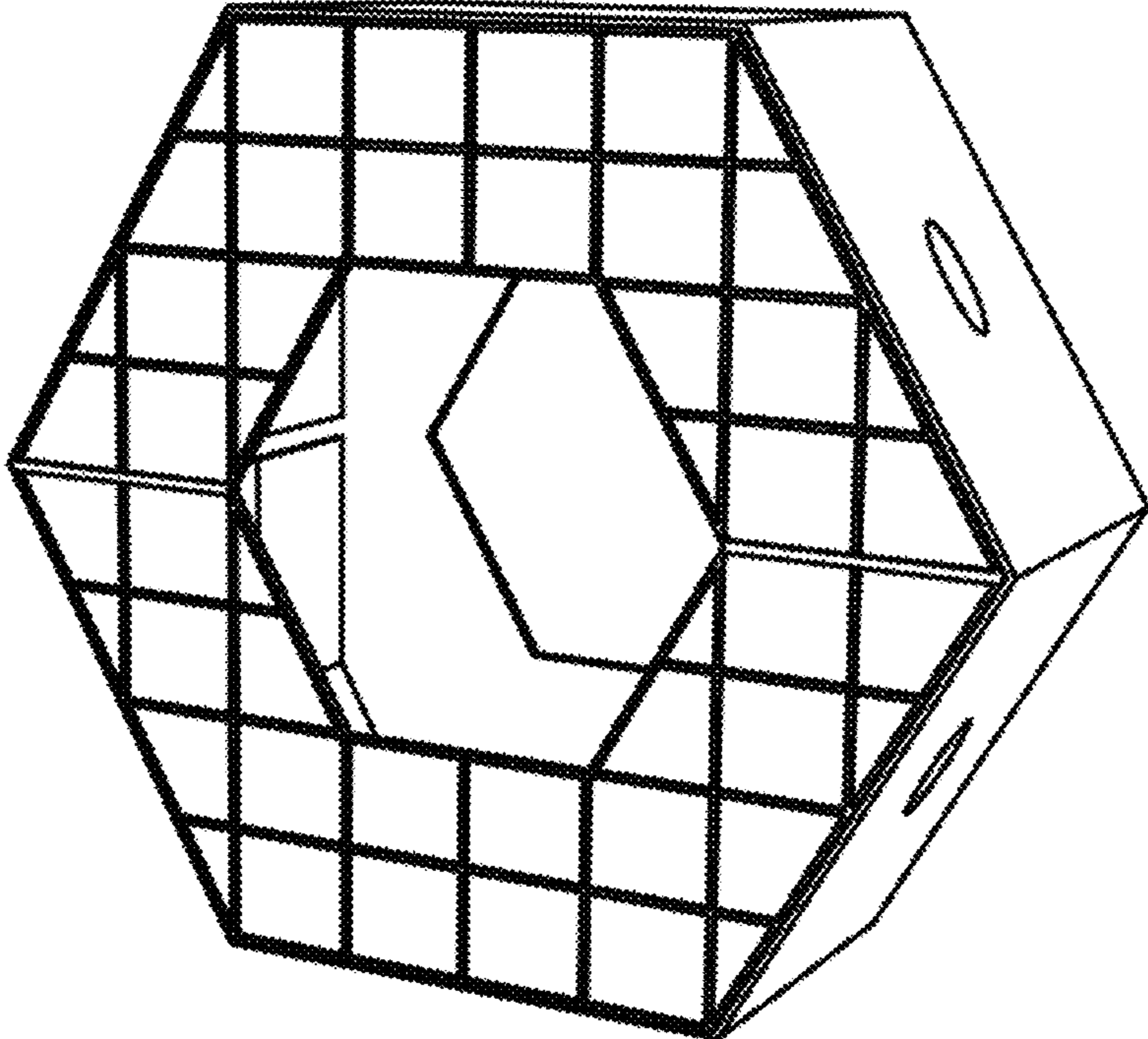


Fig. 2

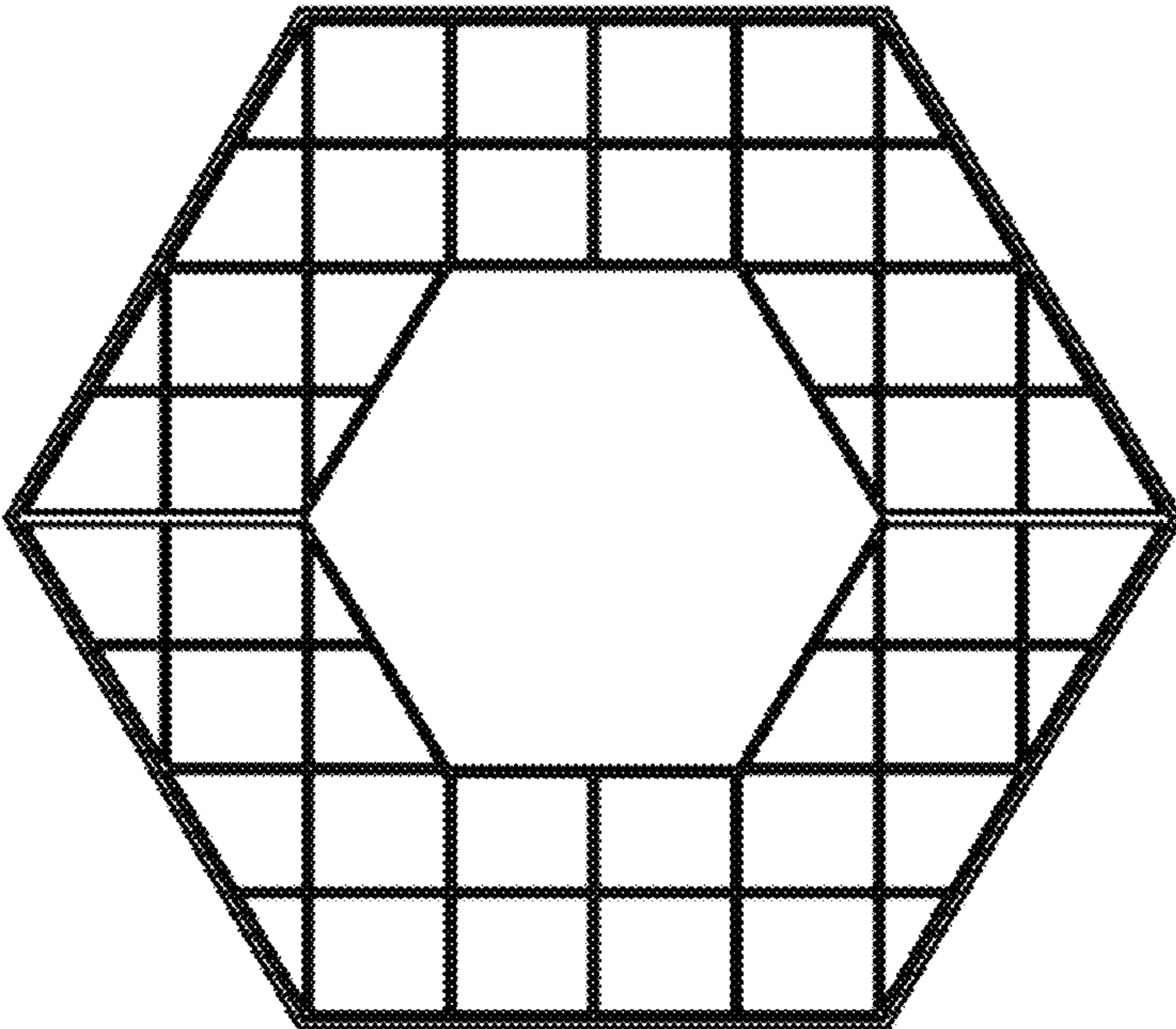


Fig. 3

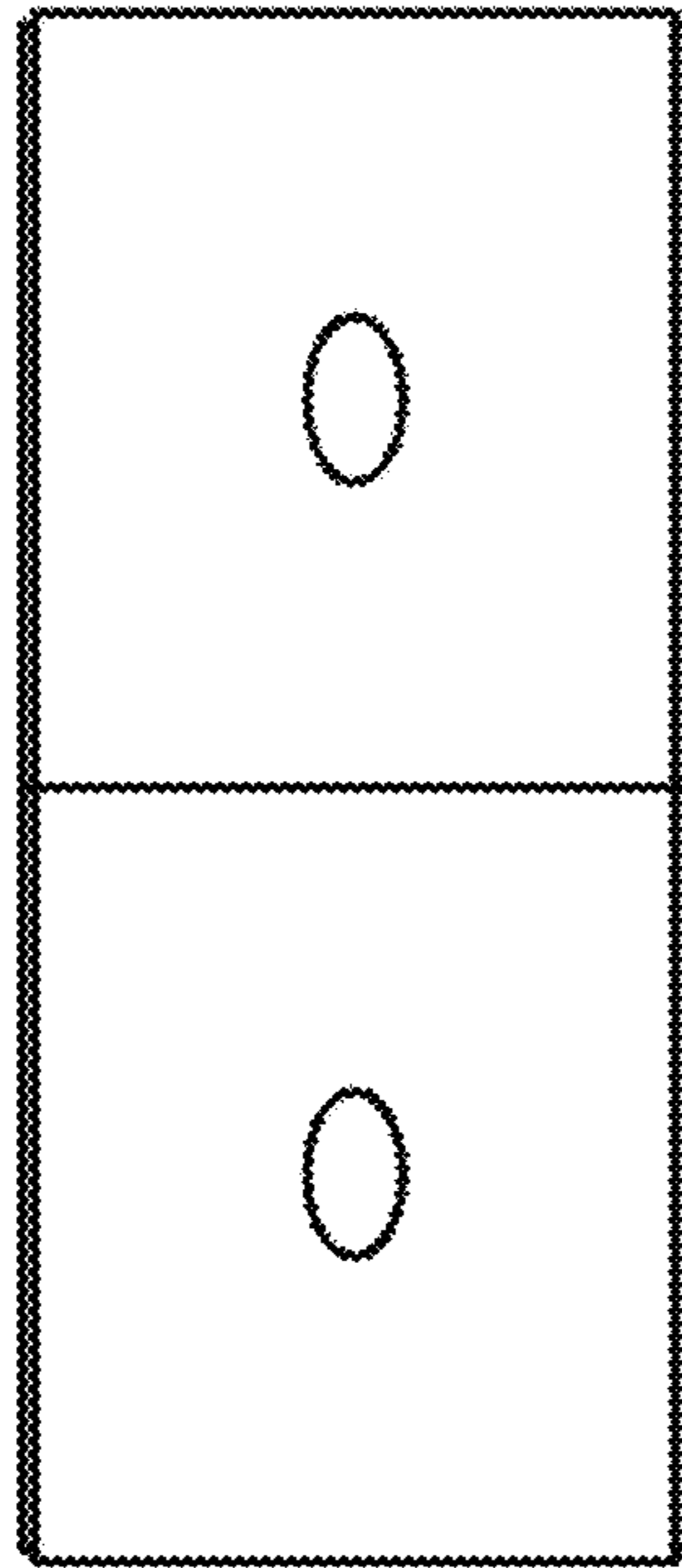


Fig. 4

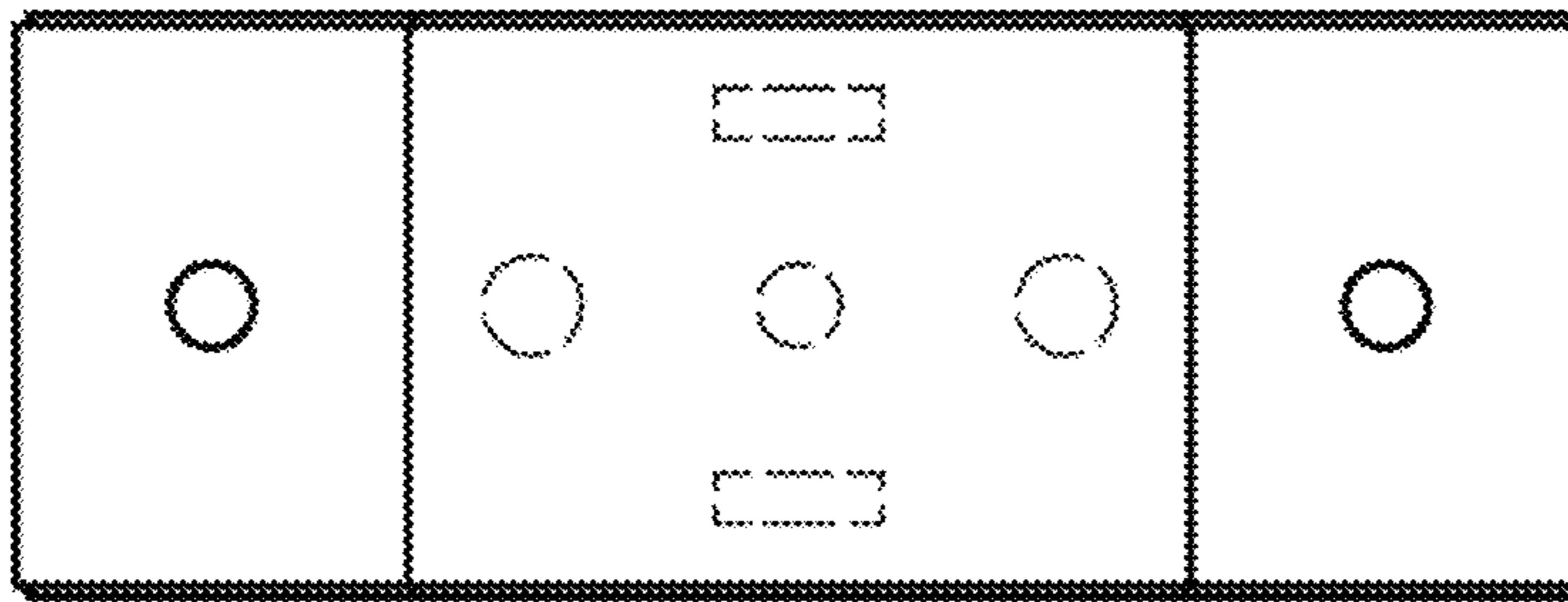


Fig. 5

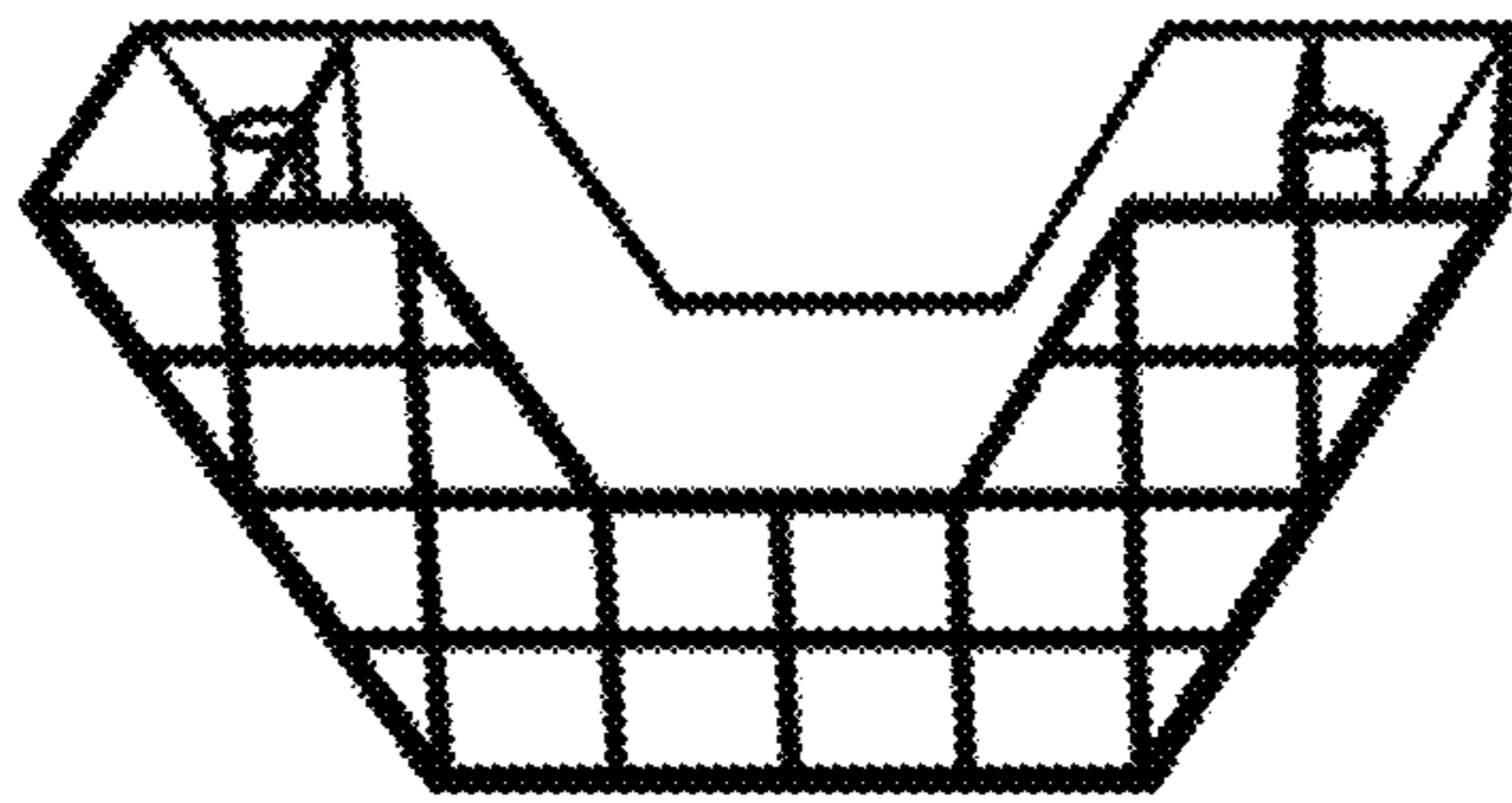


Fig. 6

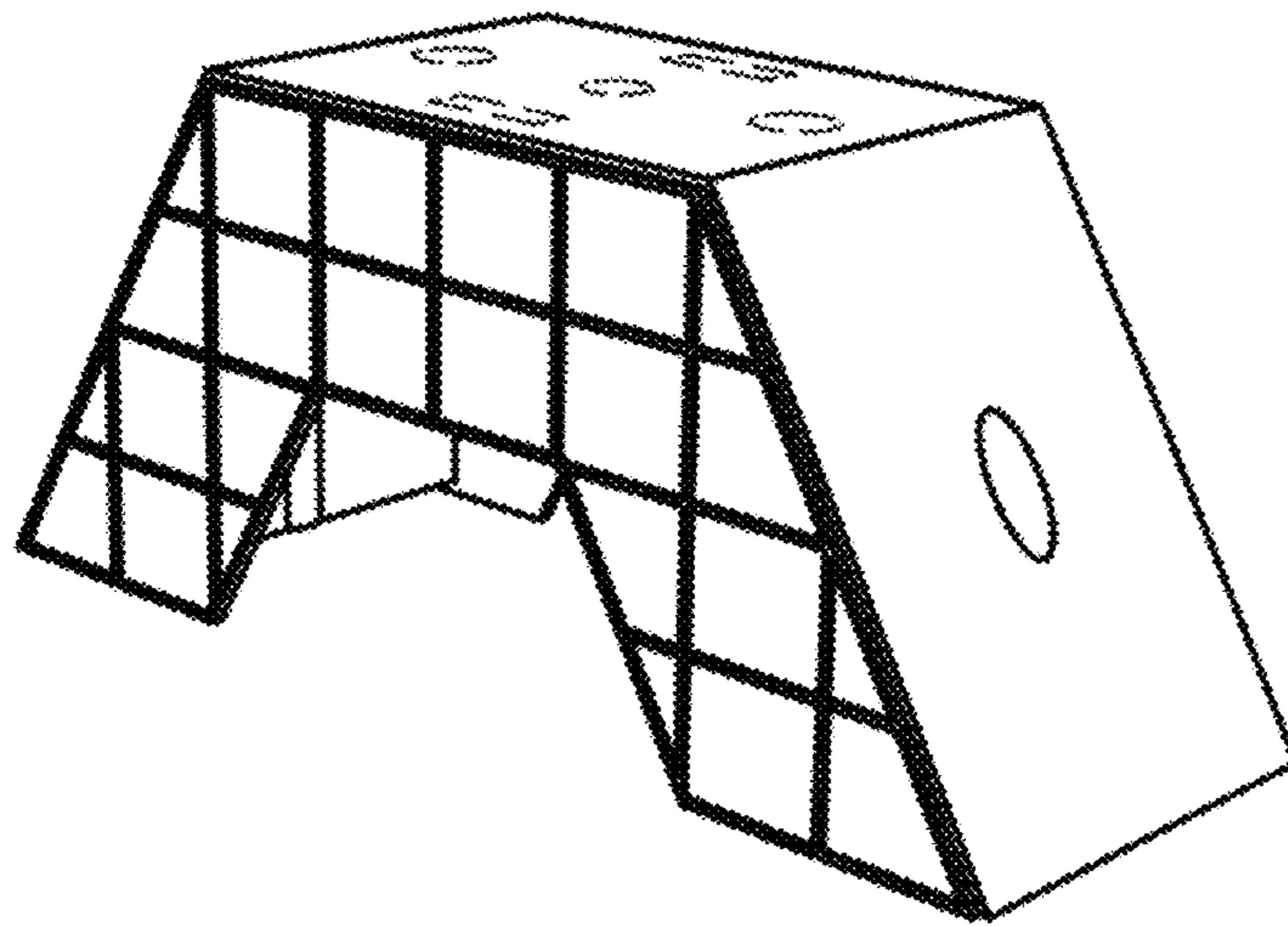


Fig. 7

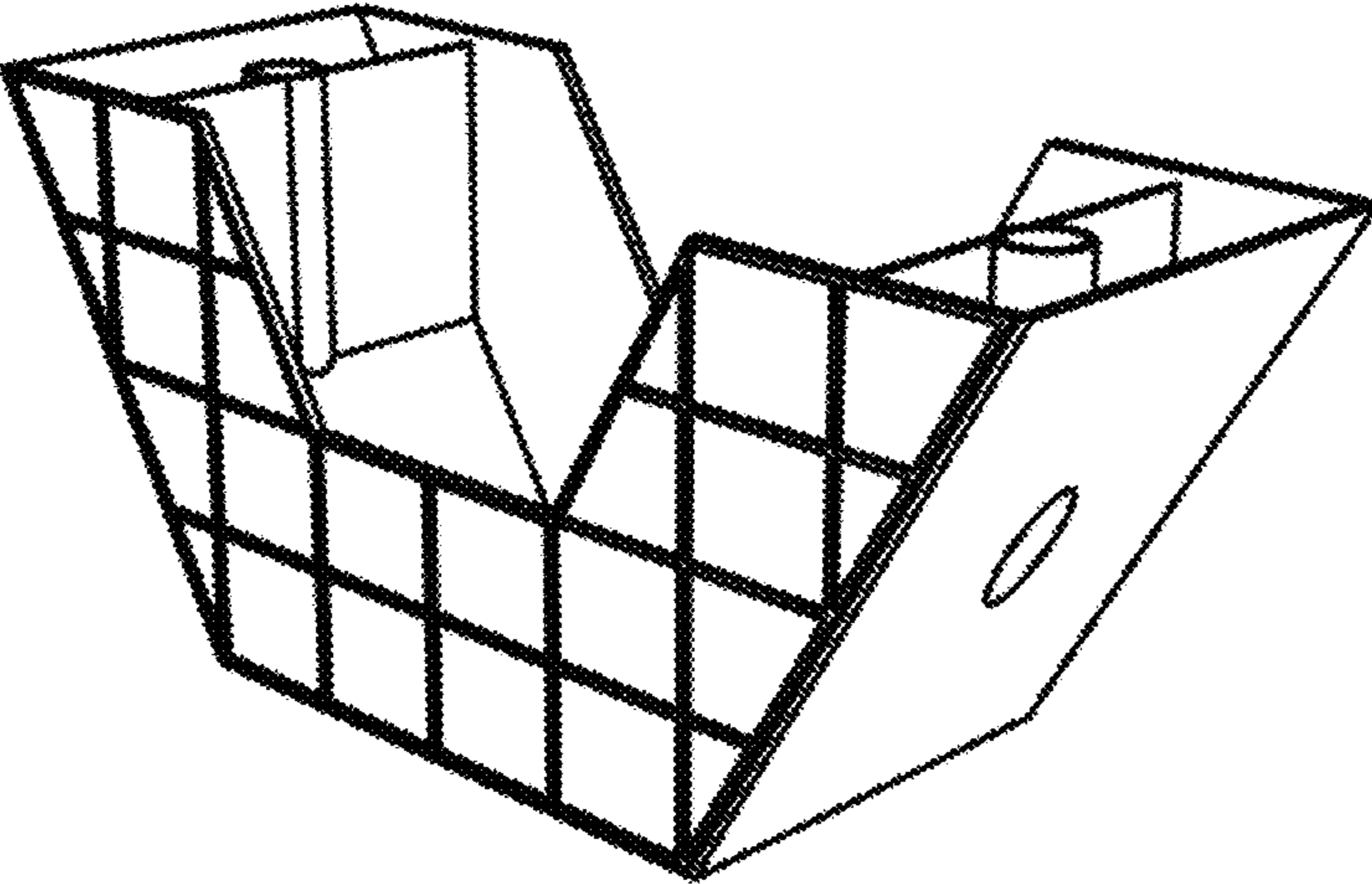


Fig. 8

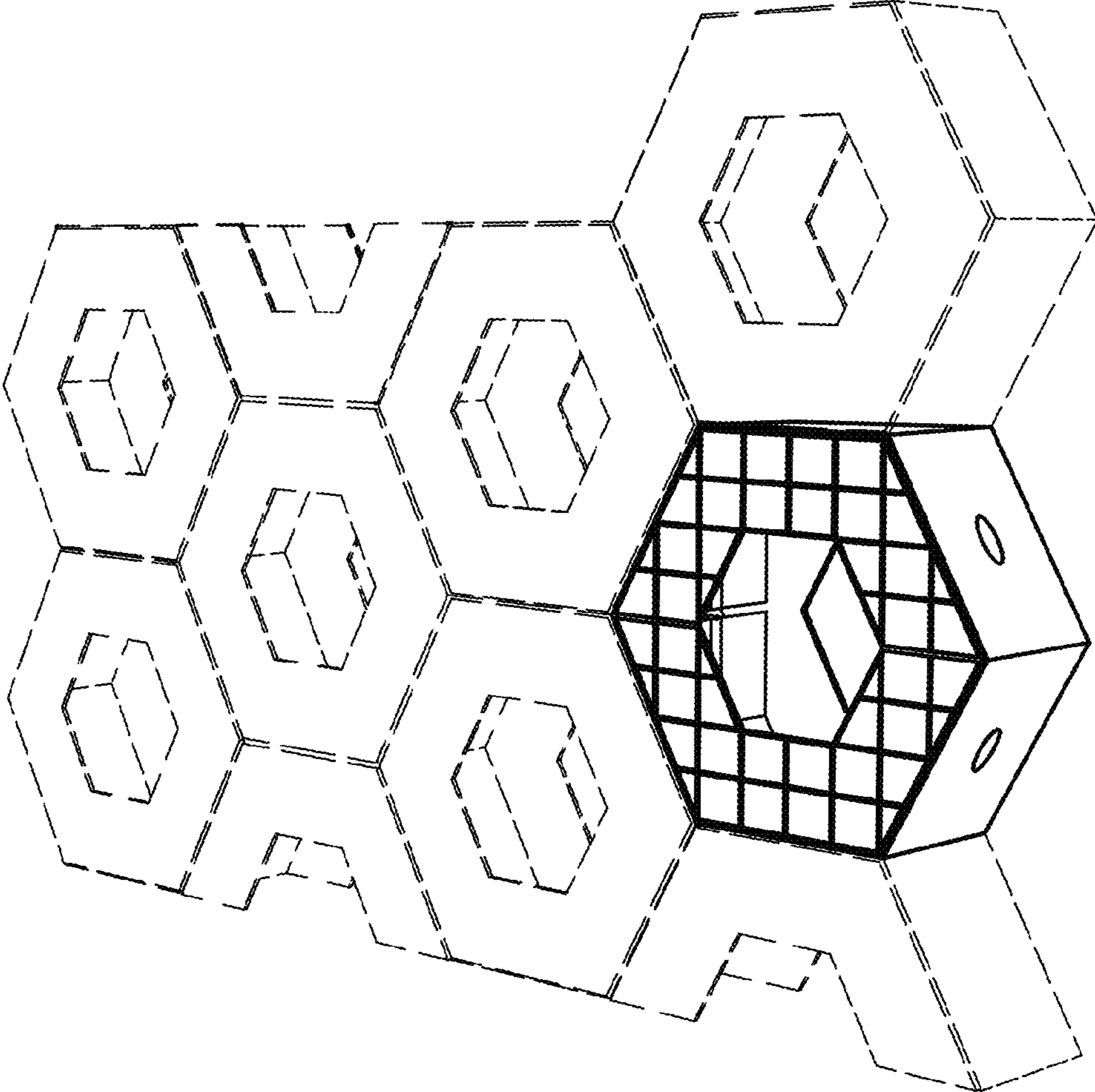


Fig. 9

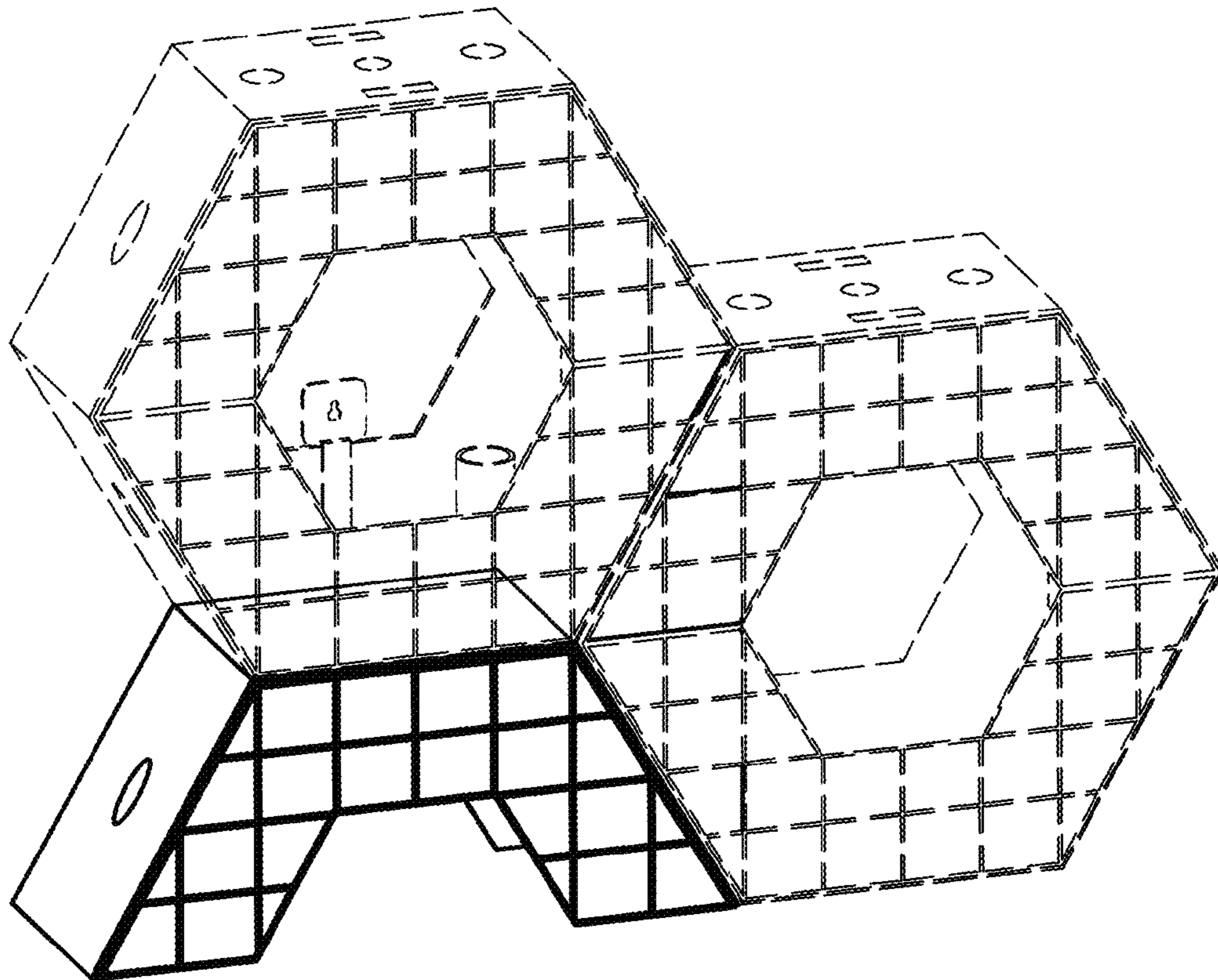


Fig. 10