



US00D684880S

(12) **United States Design Patent**
Matysik

(10) **Patent No.:** **US D684,880 S**
(45) **Date of Patent:** **** Jun. 25, 2013**

(54) **INTERCHANGEABLE MILITARY INSIGNIA RING**

(76) Inventor: **Michael G. Matysik**, Pewaukee, WI
(US)

(**) Term: **14 Years**

(21) Appl. No.: **29/387,681**

(22) Filed: **Mar. 16, 2011**

(51) **LOC (9) Cl.** **11-01**

(52) **U.S. Cl.**
USPC **D11/26**

(58) **Field of Classification Search**
USPC D11/1-6, 26-39; 63/3, 3.1, 3.2, 15,
63/15.1-15.4, 15.45, 15.5, 15.6, 15.65
See application file for complete search history.

(56) **References Cited**

U.S. PATENT DOCUMENTS

723,353	A	3/1903	Ackerman	
1,431,734	A	10/1922	Hyman	
2,041,075	A	5/1936	Lemmon	
D110,615	S *	7/1938	Glaser	D11/35
2,308,915	A	1/1943	Haimes et al.	
D154,018	S *	6/1949	Barbieri	D11/27
D160,294	S *	10/1950	Bass	D11/33
D227,031	S *	5/1973	Sciotti	D11/30
4,118,948	A	10/1978	Grainik	
D253,941	S *	1/1980	Corbin	D11/33
D260,087	S *	8/1981	Solon	D11/35
D300,126	S *	3/1989	Corbin et al.	D11/30
5,357,770	A	10/1994	Lanyi	

D372,681	S *	8/1996	Davis et al.	D11/26
D387,000	S *	12/1997	Oirschot et al.	D11/26
D388,010	S *	12/1997	Scheufele	D11/26
D390,801	S *	2/1998	Davis et al.	D11/26
D422,237	S *	4/2000	Goff	D11/26
6,715,314	B2	4/2004	Rose	
7,194,828	B2	3/2007	Peterson et al.	
D601,914	S *	10/2009	Alcantara	D11/34

* cited by examiner

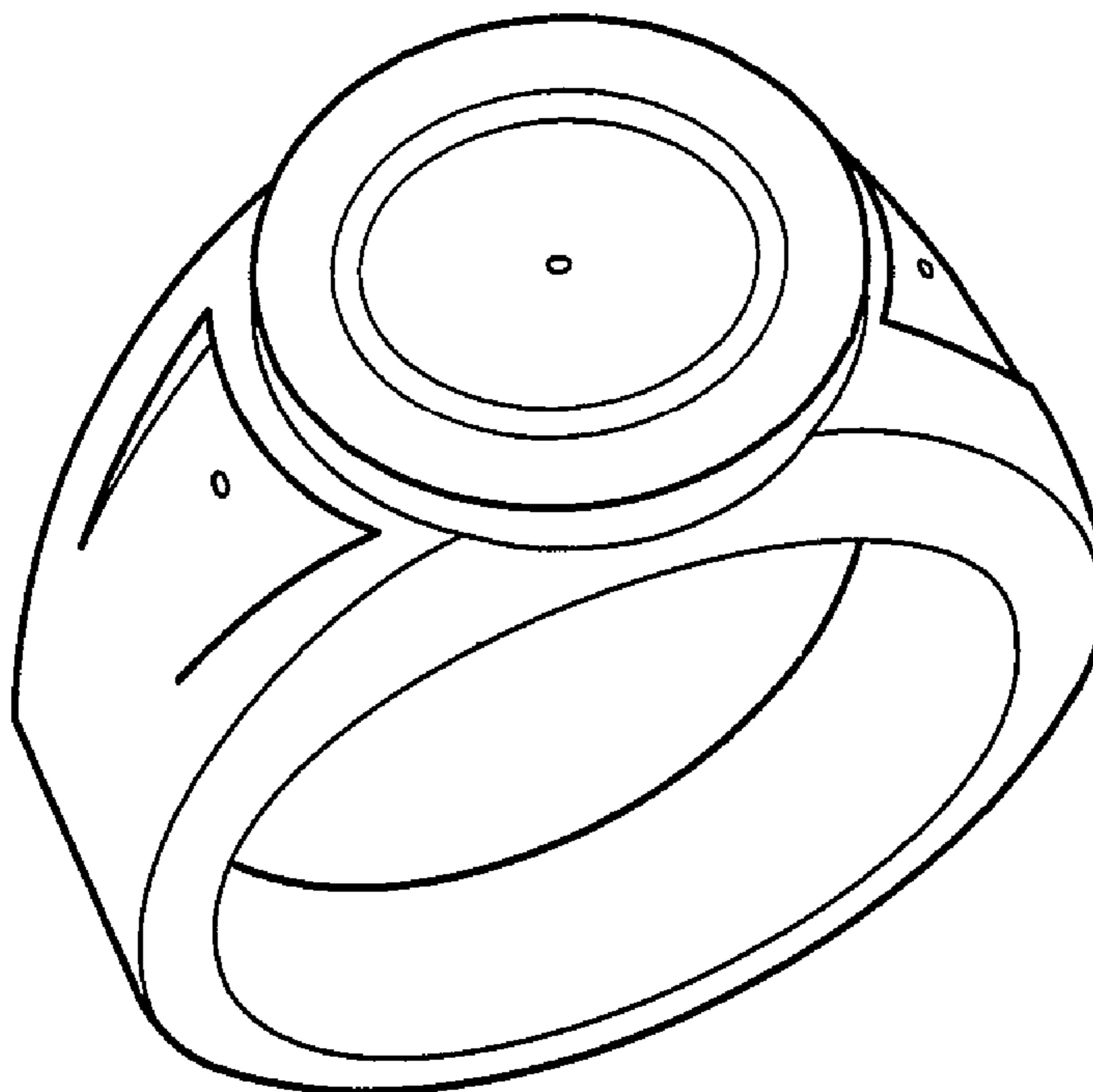
Primary Examiner — Cathron Brooks
Assistant Examiner — Melanie Pellegrini

(57) **CLAIM**
The ornamental design for an interchangeable military insignia ring, as shown and described.

DESCRIPTION

FIG. 1 is a perspective view of an interchangeable military insignia ring showing my new design; FIG. 2 is a top view thereof; FIG. 3 is a right side view thereof; FIG. 4 is a left side view thereof; FIG. 5 is a perspective view thereof shown in an alternate environment; FIG. 6 is top view thereof; FIG. 7 is right side view thereof; and, FIG. 8 is a left side view thereof. The broken lines shown in the drawings represent portions of the interchangeable military insignia ring and form no part of the claimed design.

1 Claim, 4 Drawing Sheets



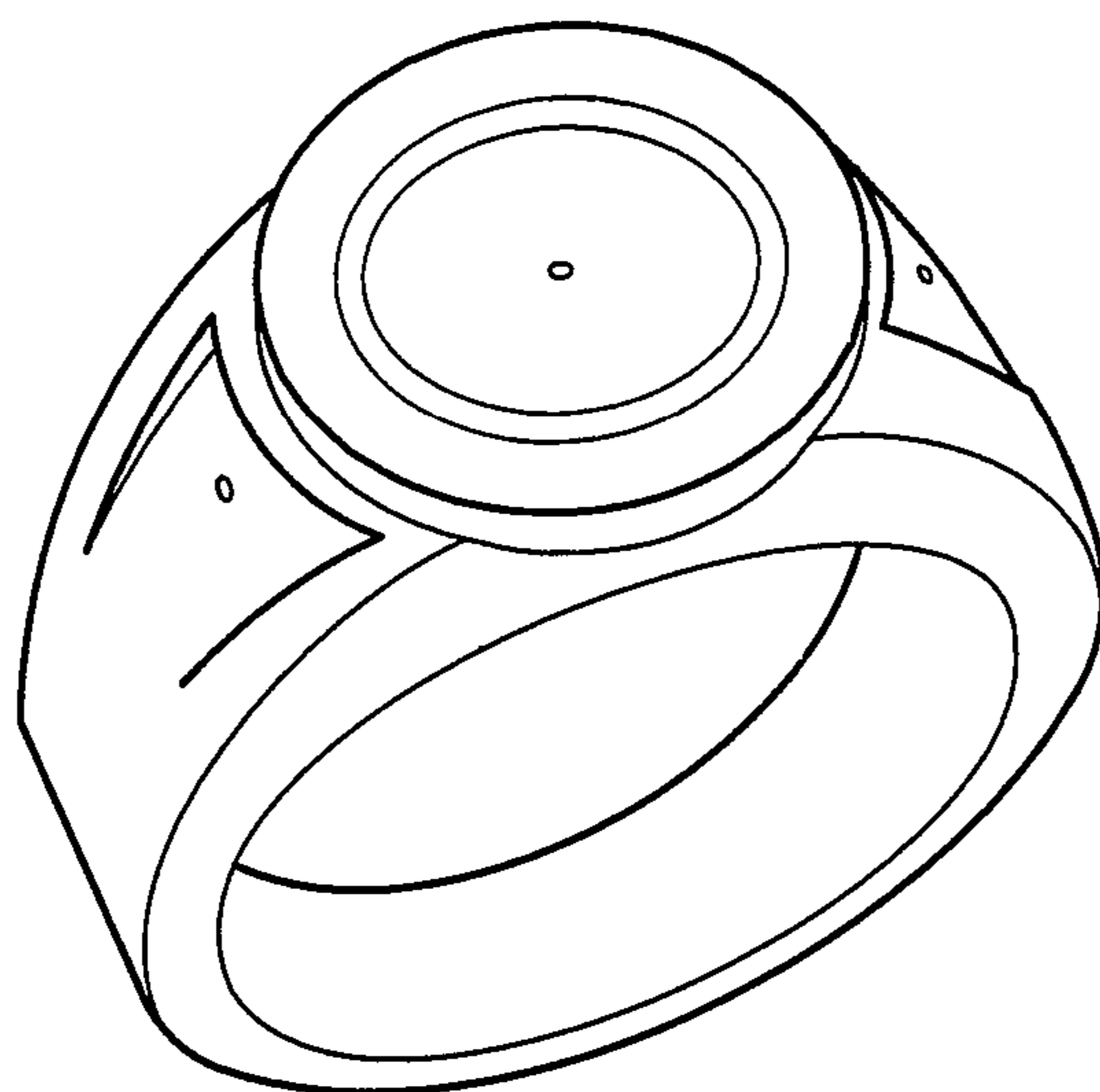


FIG. 1

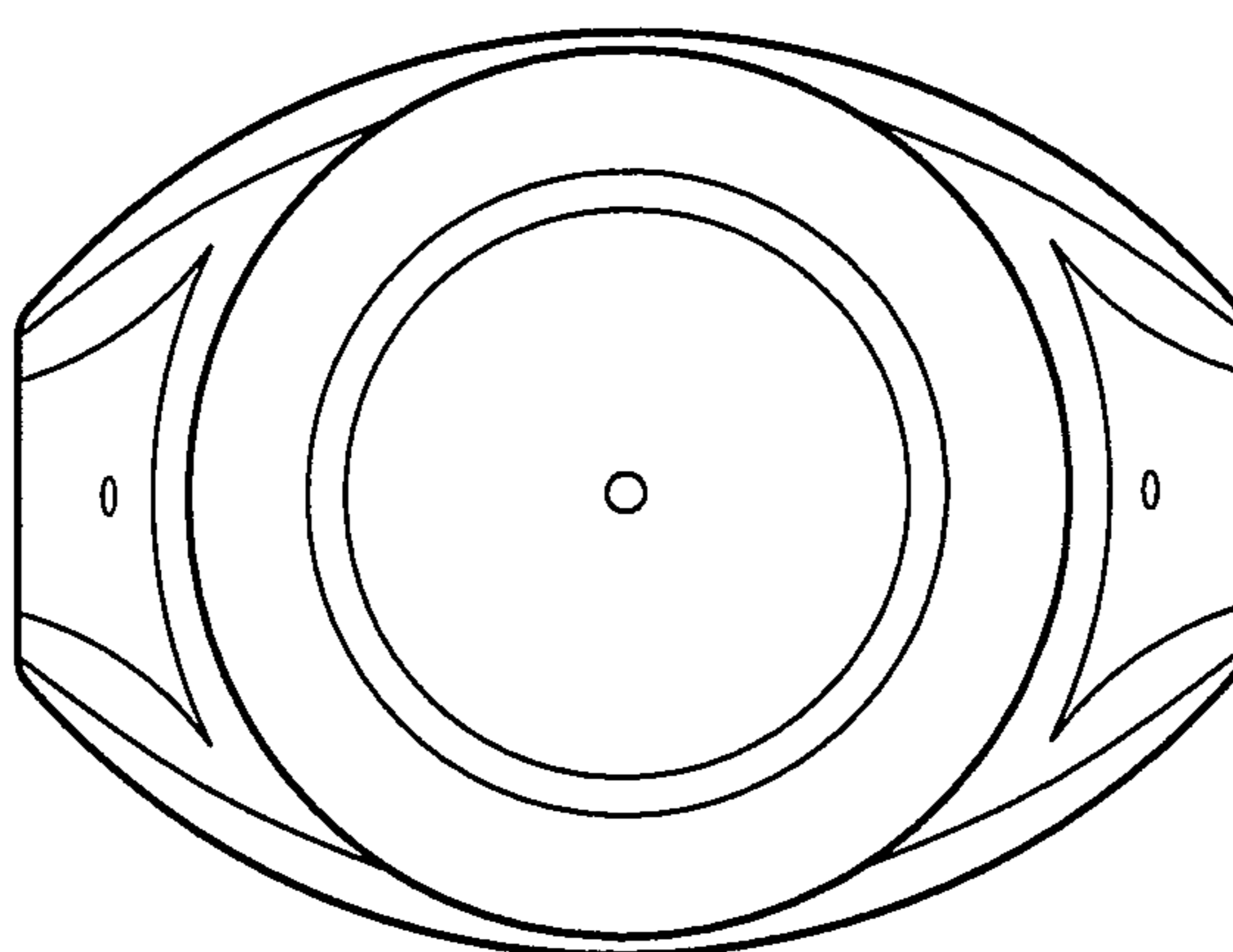


FIG. 2

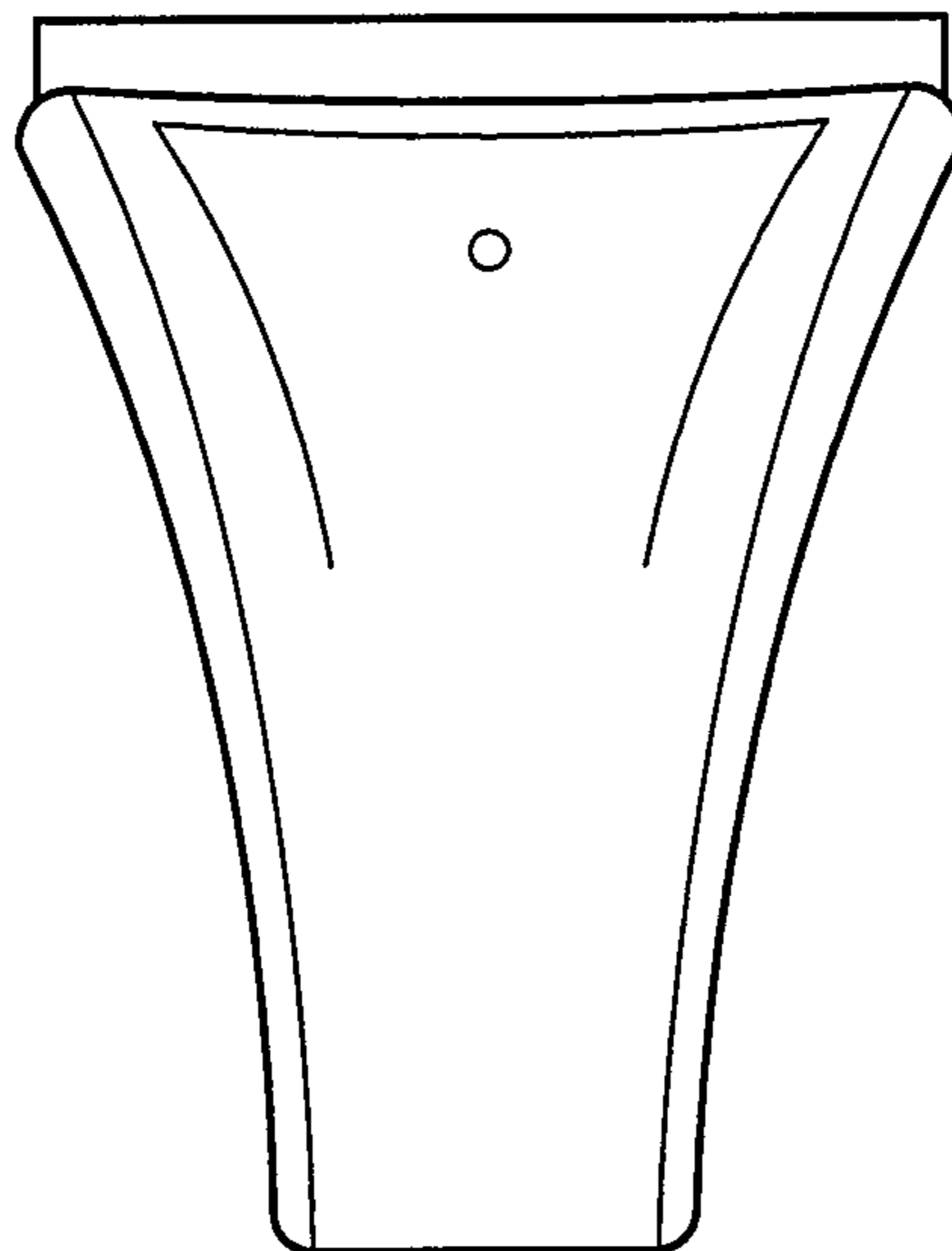


FIG. 3

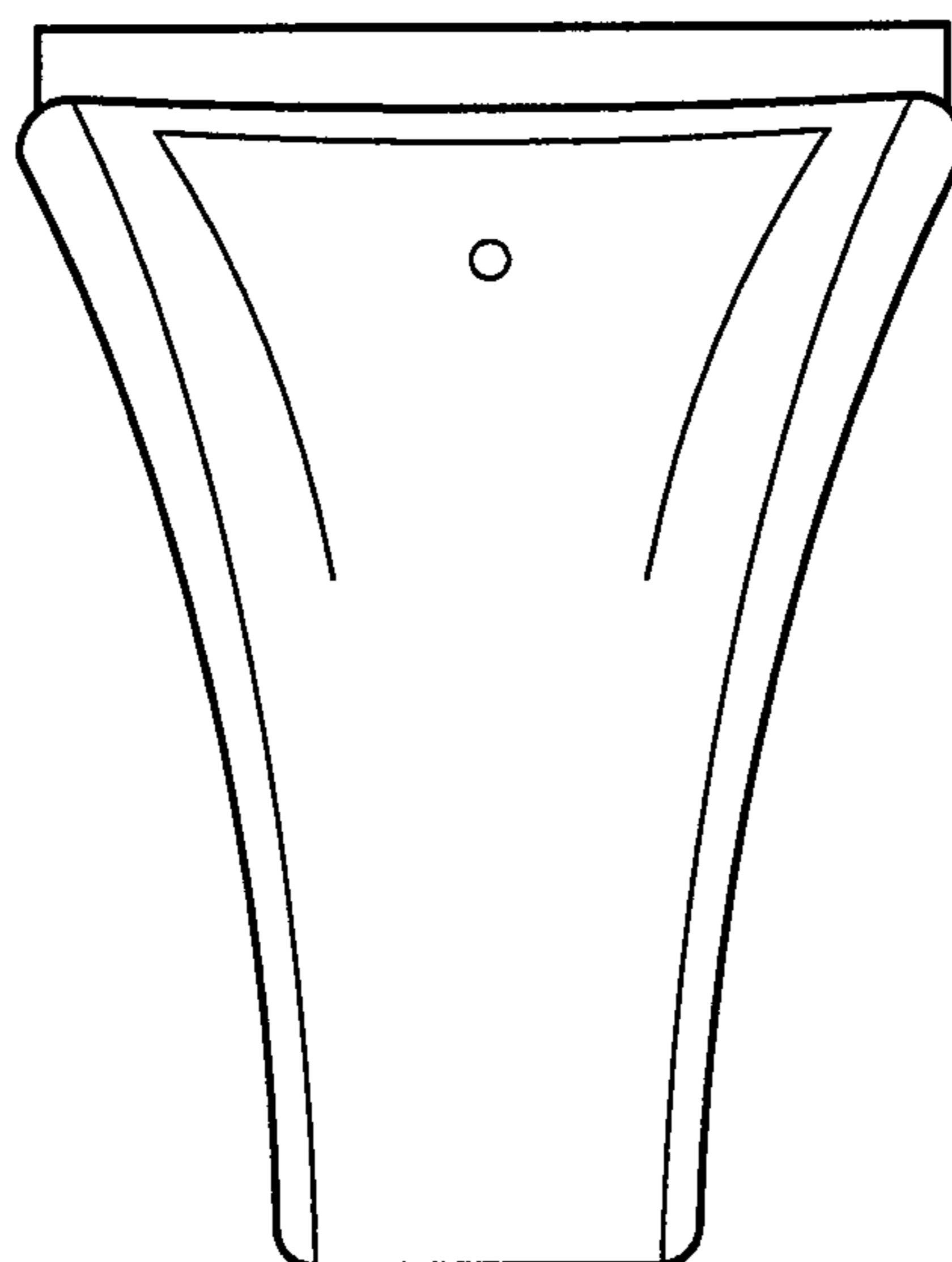


FIG. 4

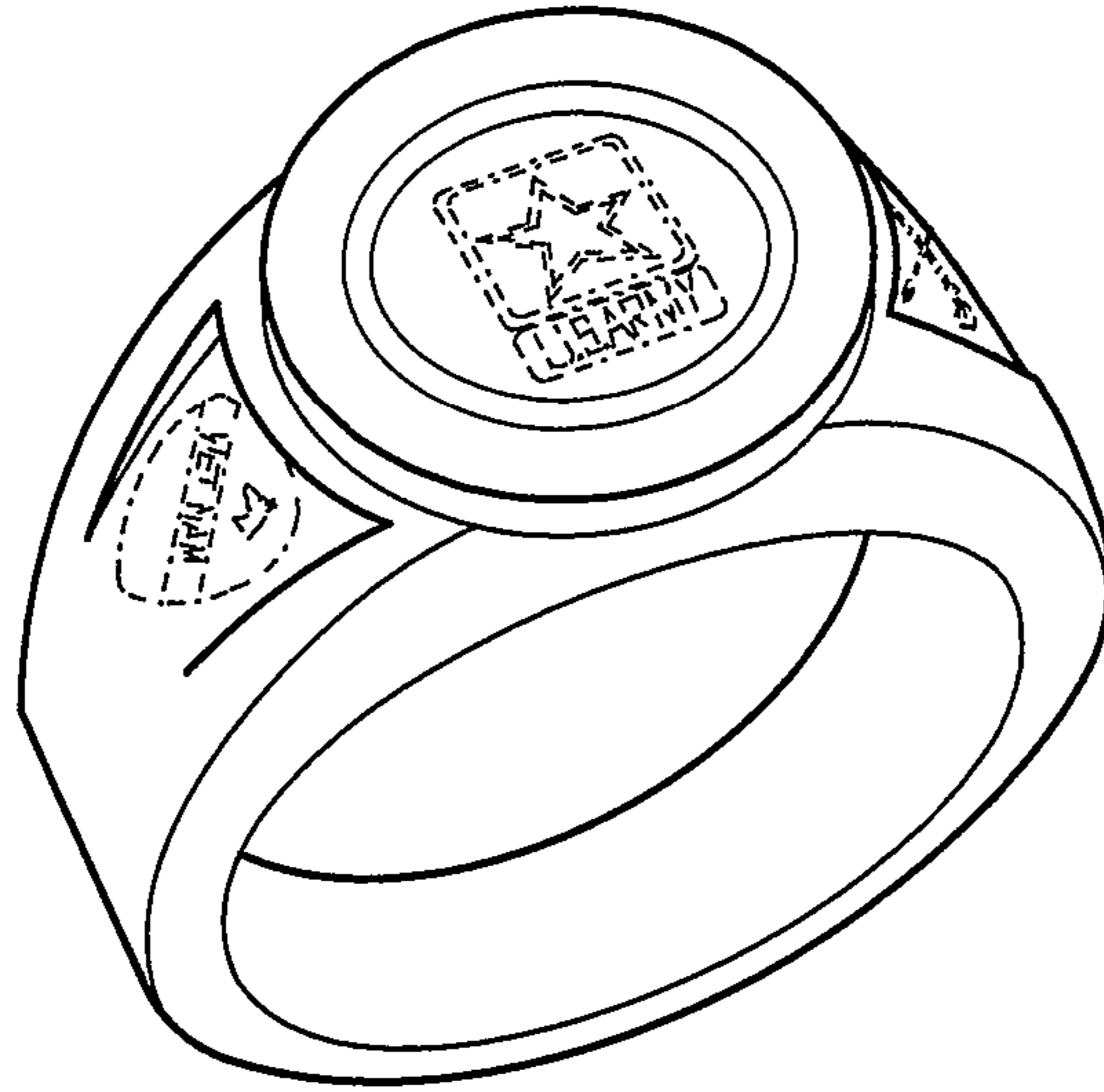


FIG. 5

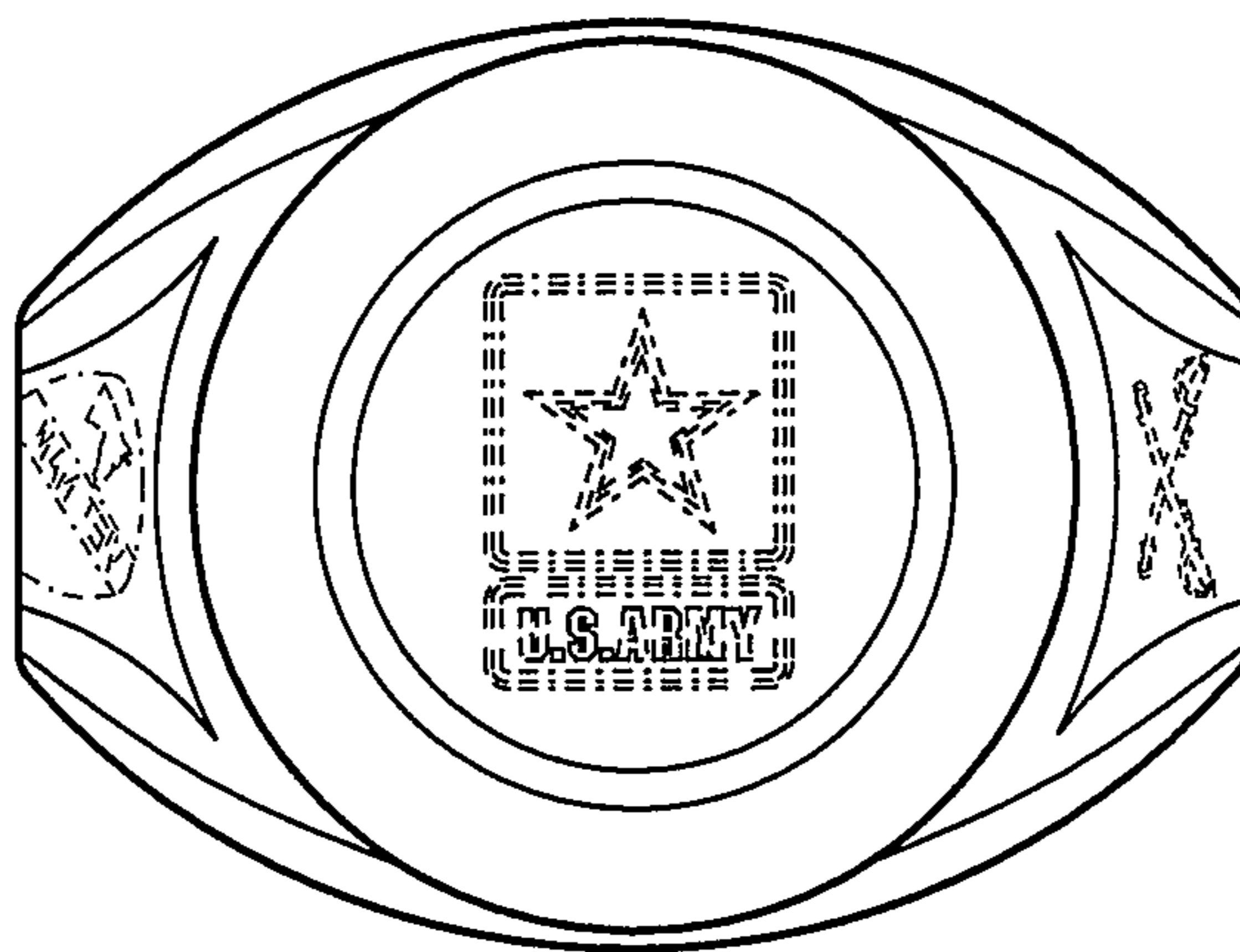


FIG. 6

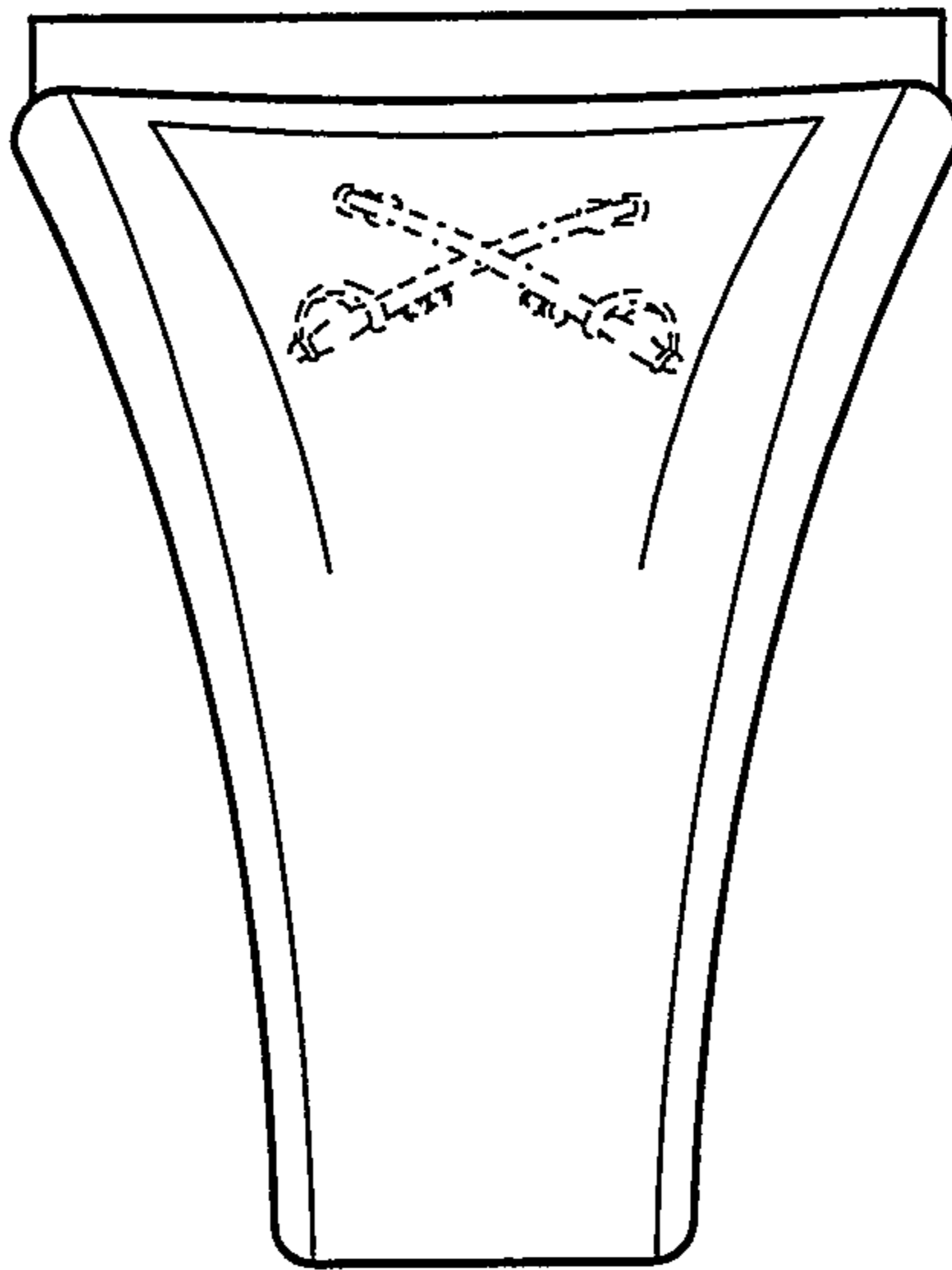


FIG. 7

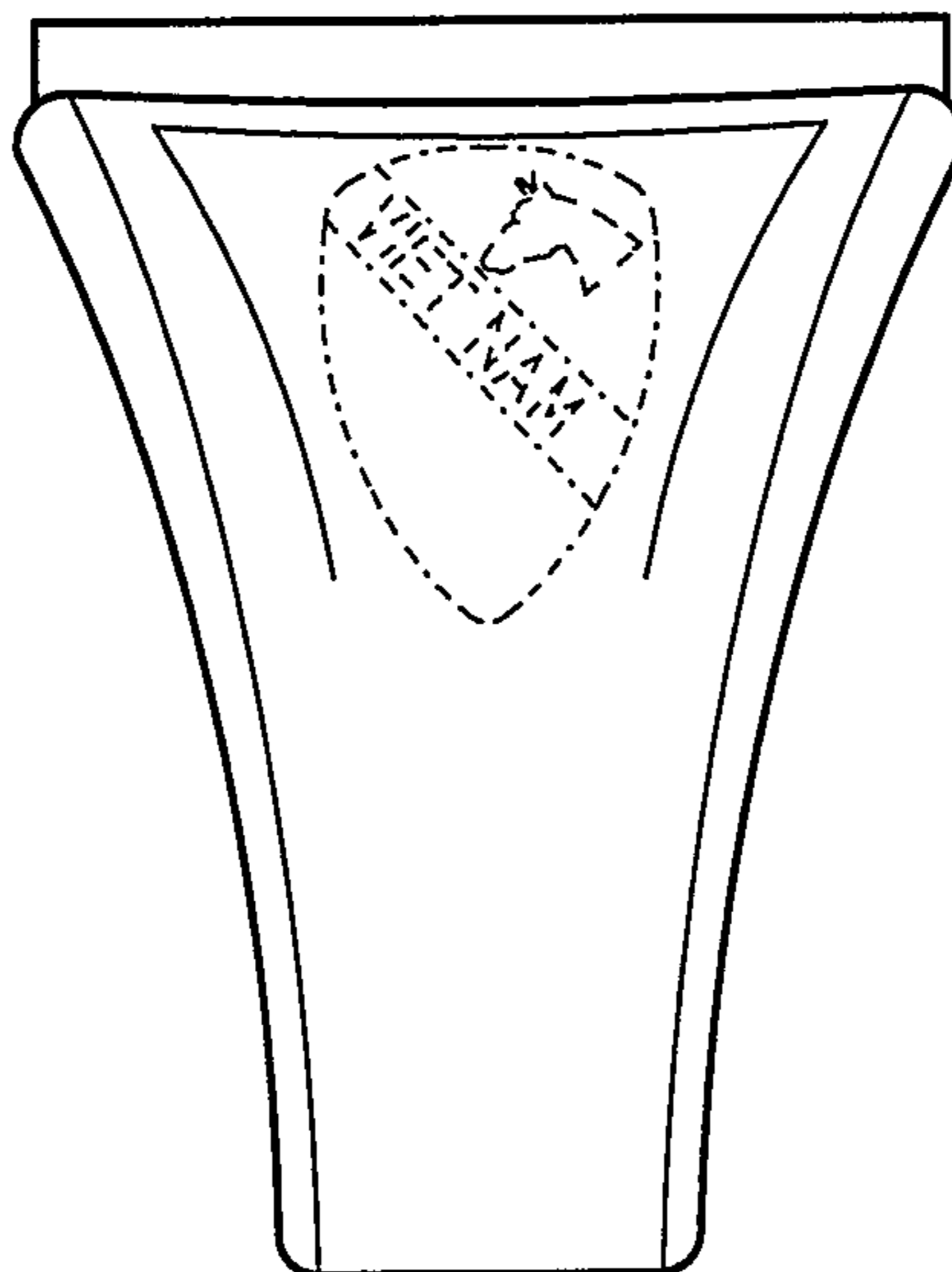


FIG. 8