



US00D684878S

(12) **United States Design Patent**  
**Cobbett et al.**

(10) **Patent No.:** **US D684,878 S**  
(45) **Date of Patent:** **\*\* Jun. 25, 2013**

(54) **WRISTBAND WITH ILLUMINATED PORTION**

(71) Applicant: **NIKE, Inc.**, Beaverton, OR (US)

(72) Inventors: **Jamian R. Cobbett**, Portland, OR (US);  
**Steve Jarvis**, Portland, OR (US)

(73) Assignee: **NIKE, Inc.**, Beaverton, OR (US)

(\*\*) Term: **14 Years**

(21) Appl. No.: **29/434,211**

(22) Filed: **Oct. 10, 2012**

(51) **LOC (9) Cl.** ..... **11-01**

(52) **U.S. Cl.**  
USPC ..... **D11/3**

(58) **Field of Classification Search**  
USPC ... D11/1-39, 86; 63/3, 3.1, 3.2, 5, 15.1-15.4,  
63/15.45, 15.5, 15.6, 15.65, 15.7, 26-28;  
D10/30-32

See application file for complete search history.

(56) **References Cited**

U.S. PATENT DOCUMENTS

D263,869 S *	4/1982	Sumiyasu	.....	D24/211
5,218,577 A *	6/1993	Seager	.....	368/10
D353,781 S	12/1994	Braisted		
5,418,760 A *	5/1995	Kawashima et al.	.....	368/69
D402,645 S	12/1998	Garguilo		
6,775,205 B1 *	8/2004	Sporn	.....	368/10
D495,611 S	9/2004	Jørgensen		
D511,309 S *	11/2005	Hardy	.....	D11/26
D539,670 S	4/2007	Behling		
D545,232 S *	6/2007	Waldman	.....	D10/125
D548,128 S	8/2007	Andren et al.		
D550,112 S	9/2007	Andren et al.		
D554,004 S *	10/2007	Kraft	.....	D10/38
D562,175 S *	2/2008	Miller	.....	D11/35
D565,427 S *	4/2008	Ellner et al.	.....	D10/31
D580,277 S	11/2008	Brady et al.		
D603,741 S	11/2009	Waldman		
D608,236 S *	1/2010	Akdemir	.....	D11/26

D611,357 S	3/2010	Giroud		
D633,085 S	2/2011	Chiu		
8,028,413 B2 *	10/2011	Miller	.....	63/15
D659,580 S	5/2012	Veit		
D664,880 S *	8/2012	Cobbett et al.	.....	D11/3
D664,881 S *	8/2012	Cobbett et al.	.....	D11/3
D664,882 S *	8/2012	Cobbett et al.	.....	D11/3
D669,382 S *	10/2012	Alvarez et al.	.....	D11/3
D669,383 S *	10/2012	Cobbett et al.	.....	D11/3
D669,384 S *	10/2012	Alvarez et al.	.....	D11/3
D671,858 S *	12/2012	Cobbett et al.	.....	D11/3
2008/0236195 A1 *	10/2008	Woebke	.....	63/1.14

OTHER PUBLICATIONS

The Retsu by Saishin, 1 color page included, disclosure date unknown but prior to filing date of the instant application.  
Various LED watches, 32 color pages included, disclosure date unknown but prior to filing date of the instant application.

\* cited by examiner

*Primary Examiner* — Cathron Brooks

*Assistant Examiner* — Melanie Pellegrini

(74) *Attorney, Agent, or Firm* — Banner & Witcoff, Ltd.

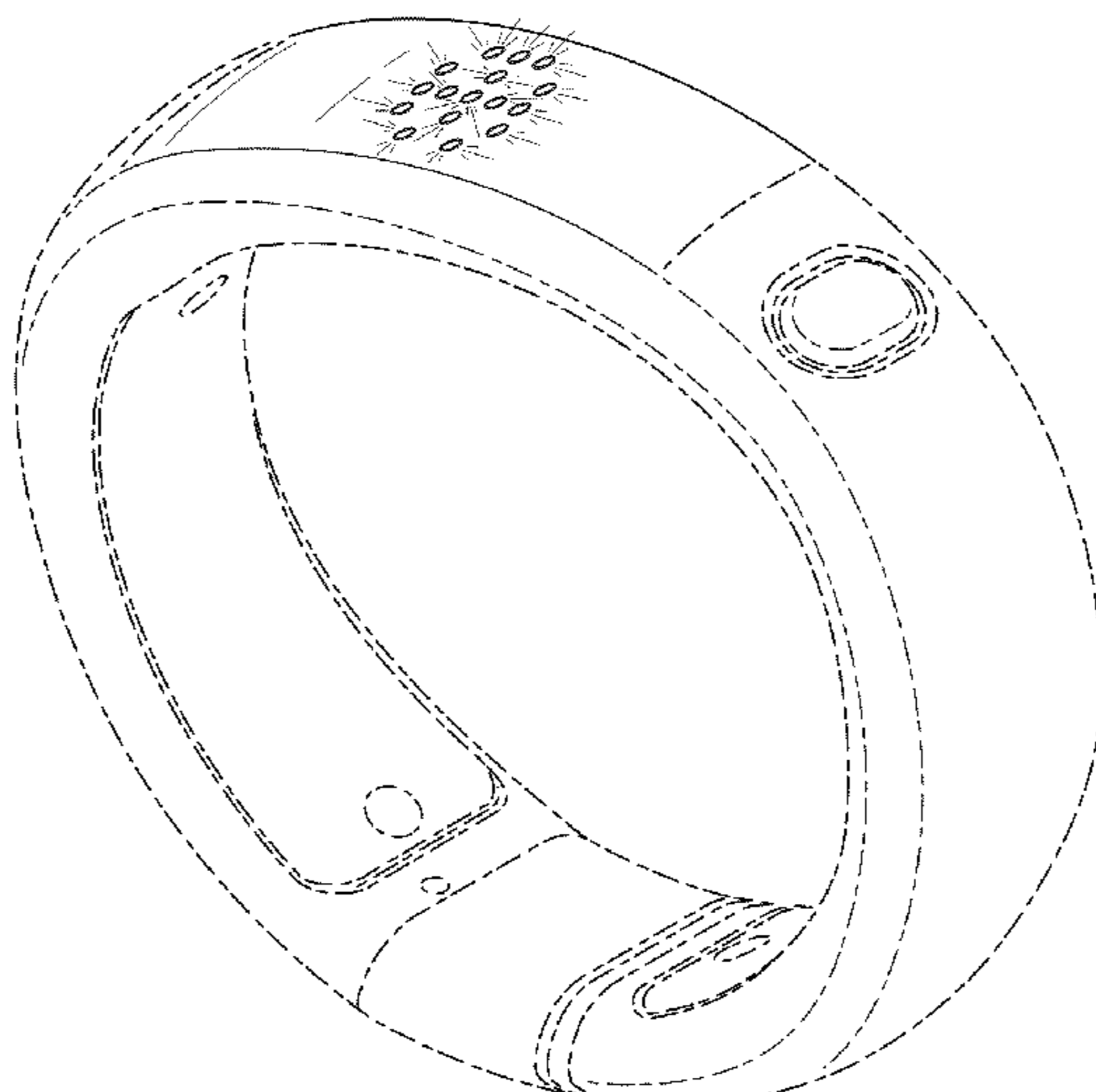
(57) **CLAIM**

The ornamental design for a wristband with illuminated portion, as shown and described.

**DESCRIPTION**

FIG. 1 is a front perspective view of a wristband with illuminated portion showing our new design;  
FIG. 2 is a front view thereof;  
FIG. 3 is a front perspective view of the wristband of FIGS. 1-2 depicted without radiating lines for clarity; and,  
FIG. 4 is a front view thereof.  
The broken lines immediately adjacent to the shaded area represent unclaimed boundaries of the design. The broken lines showing the remainder of the wristband are for environmental purposes only and form no part of the claimed design. The circular regions in the claimed area with radiating lines represent an illuminated portion.

**1 Claim, 2 Drawing Sheets**



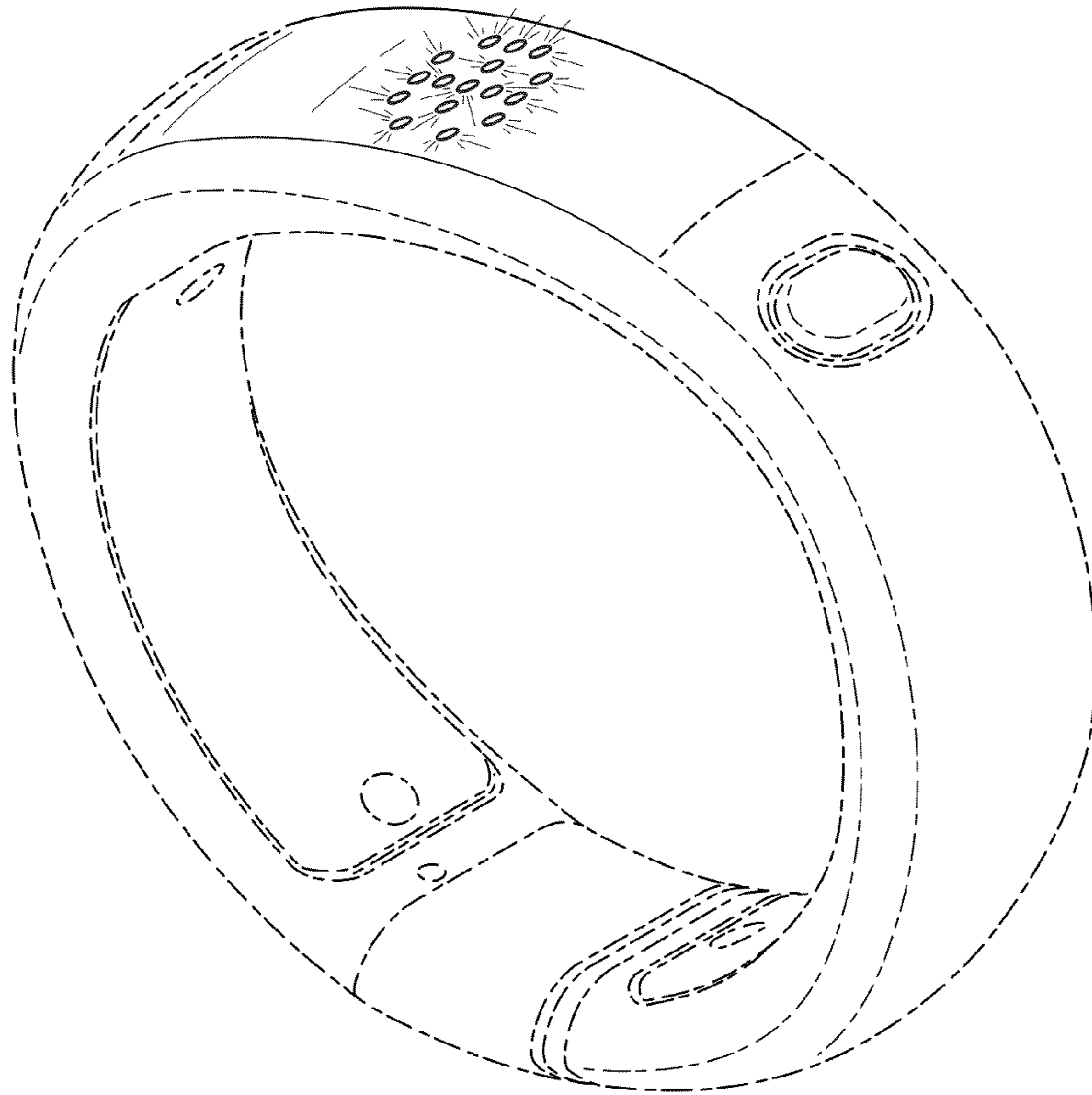


FIG. 1

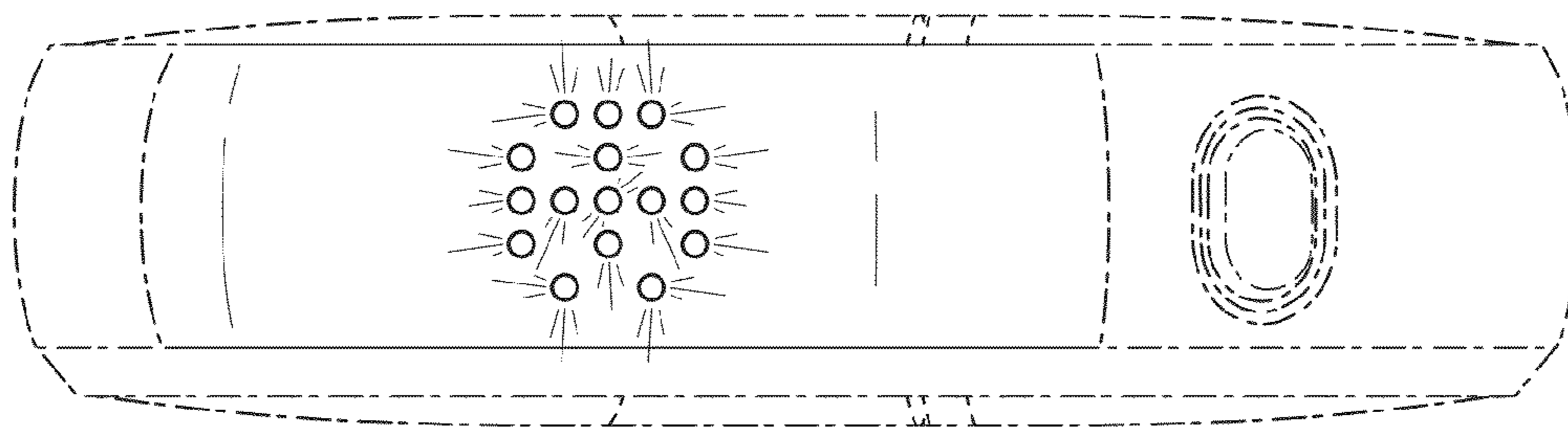


FIG. 2

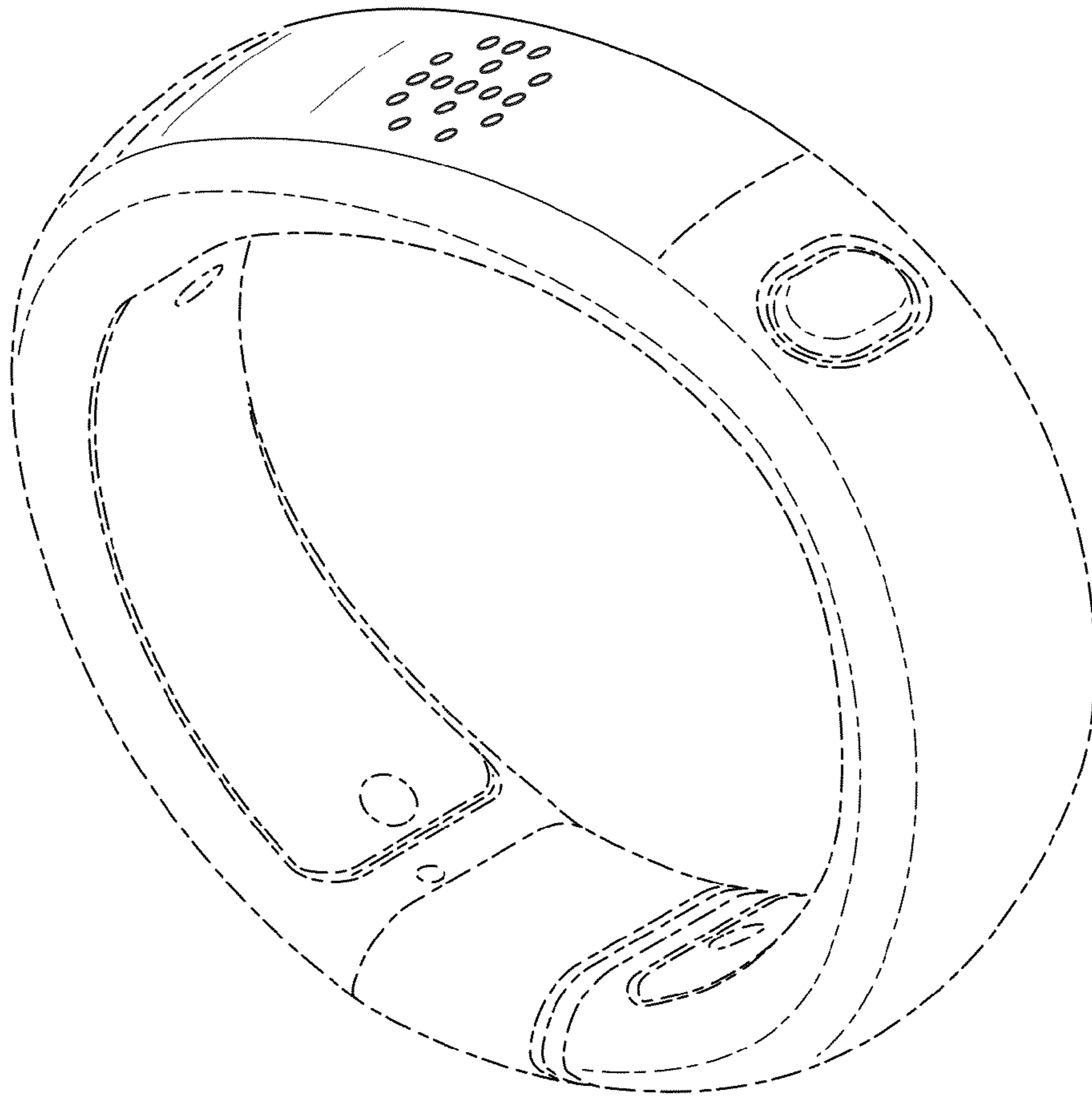


FIG. 3

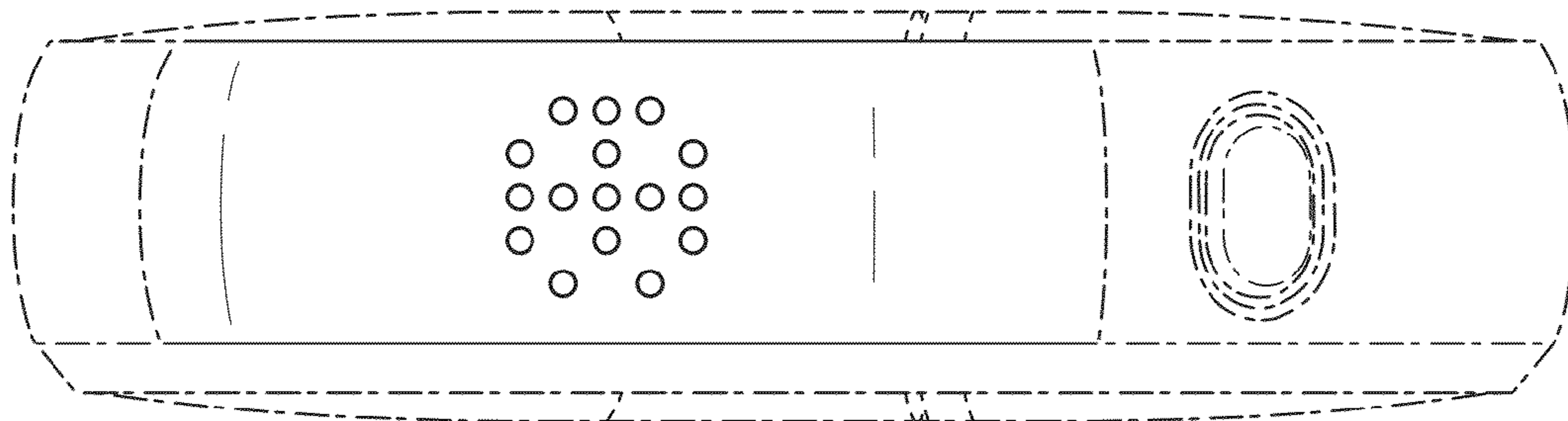


FIG. 4