



US00D684876S

(12) **United States Design Patent**  
**Laurino et al.**

(10) **Patent No.:** **US D684,876 S**  
(45) **Date of Patent:** **\*\* Jun. 25, 2013**

(54) **PORTABLE BEARING CHECKER**

(75) Inventors: **Ferdinand Y. Laurino**, Seattle, WA (US); **Paul A. Richer**, Everett, WA (US)

(73) Assignee: **Fluke Corporation**, Everett, WA (US)

(\*\*) Term: **14 Years**

(21) Appl. No.: **29/404,562**

(22) Filed: **Oct. 21, 2011**

(51) **LOC (9) Cl.** ..... **10-04**

(52) **U.S. Cl.**  
USPC ..... **D10/78**

(58) **Field of Classification Search**  
USPC ..... D10/78; 73/660, 658, 659, 661, 593,  
73/646, 647; 340/683, 635, 687; 324/72.5,  
324/556, 133, 149, 503, 543, 555, 66, 72,  
324/754, 115, 141  
See application file for complete search history.

(56) **References Cited**

U.S. PATENT DOCUMENTS

D570,235 S \* 6/2008 Staller ..... D10/78

\* cited by examiner

*Primary Examiner* — Antoine D Davis

(74) *Attorney, Agent, or Firm* — Perkins Coie LLP

(57) **CLAIM**

The ornamental design for a portable bearing checker, as shown.

**DESCRIPTION**

FIG. 1 is a front plan view of a first embodiment of a portable bearing checker.

FIG. 2 is a back plan view thereof.

FIG. 3 is a right side view thereof.

FIG. 4 is a top view thereof.

FIG. 5 is a front plan view of a second embodiment of a portable bearing checker.

FIG. 6 is a back plan view thereof.

FIG. 7 is a right side view thereof.

FIG. 8 is a top view thereof.

FIG. 9 is a front plan view of a third embodiment of a portable bearing checker.

FIG. 10 is a back plan view thereof.

FIG. 11 is a right side view thereof.

FIG. 12 is a top view thereof.

FIG. 13 is a front plan view of a fourth embodiment of a portable bearing checker.

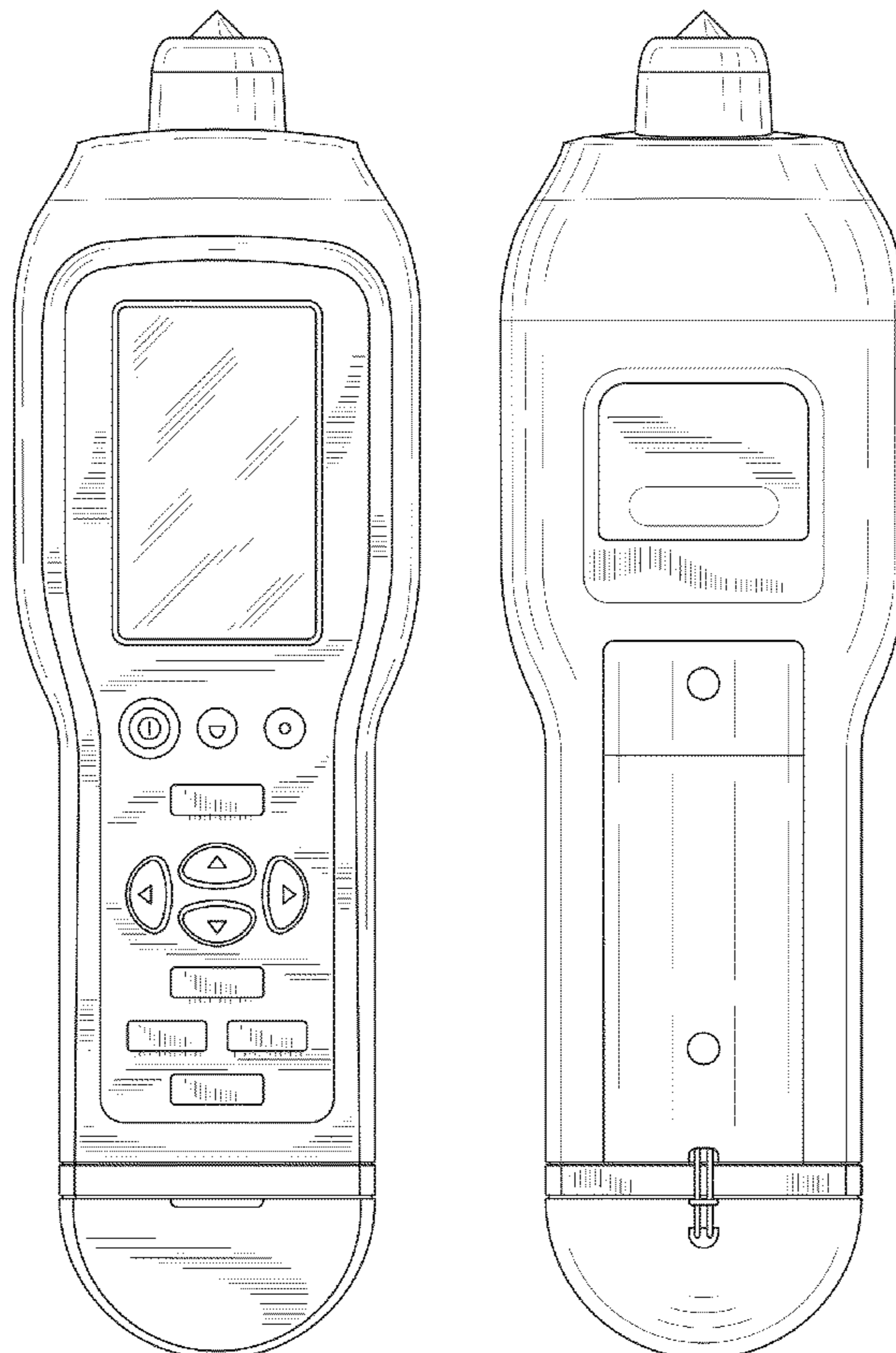
FIG. 14 is a back plan view thereof.

FIG. 15 is a right side view thereof; and,

FIG. 16 is a top view thereof.

The broken lines form no part of the claimed design.

**1 Claim, 8 Drawing Sheets**



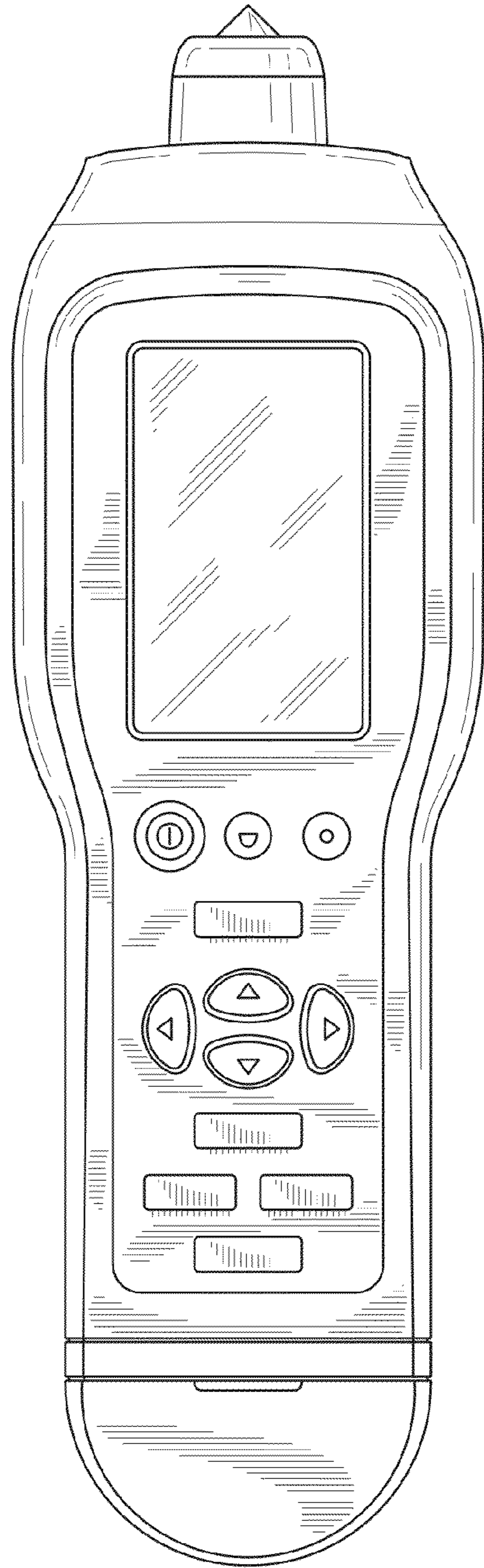


FIG. 1

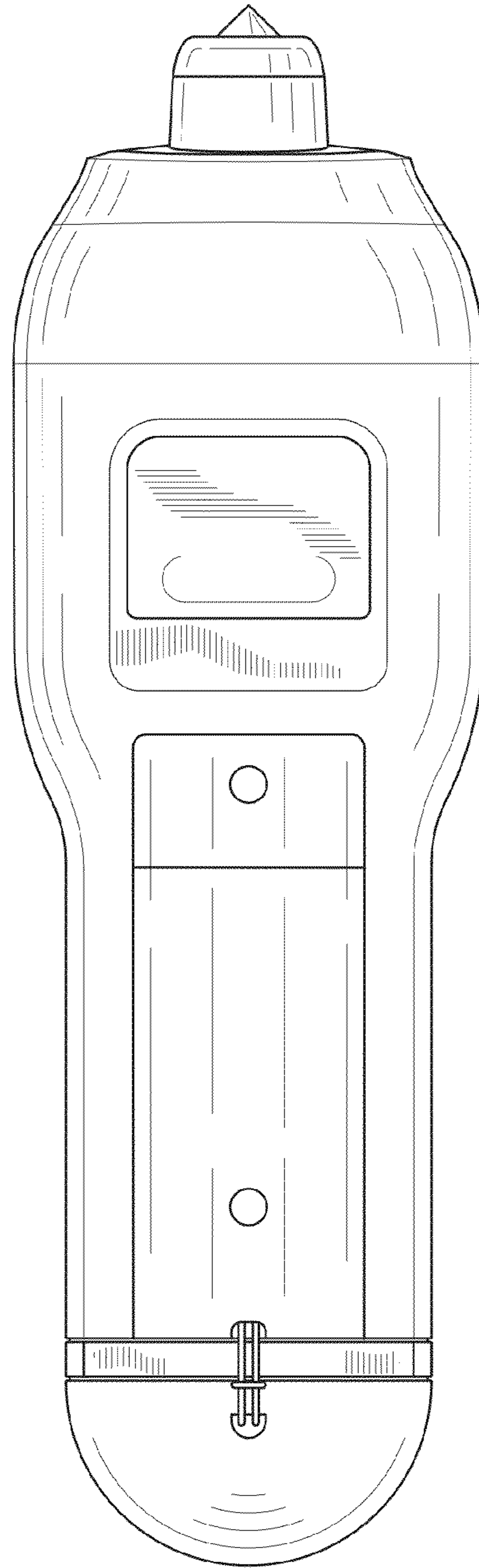


FIG. 2

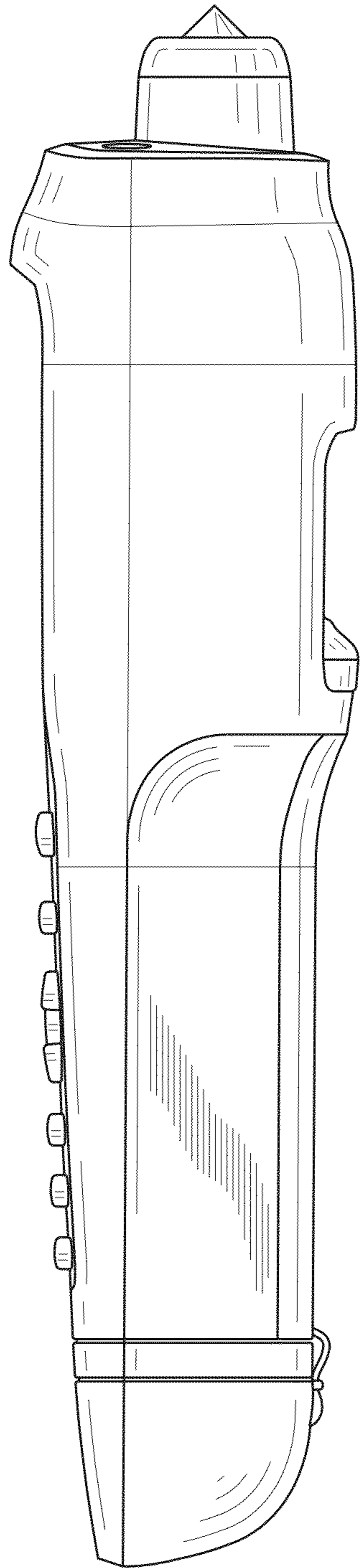


FIG. 3

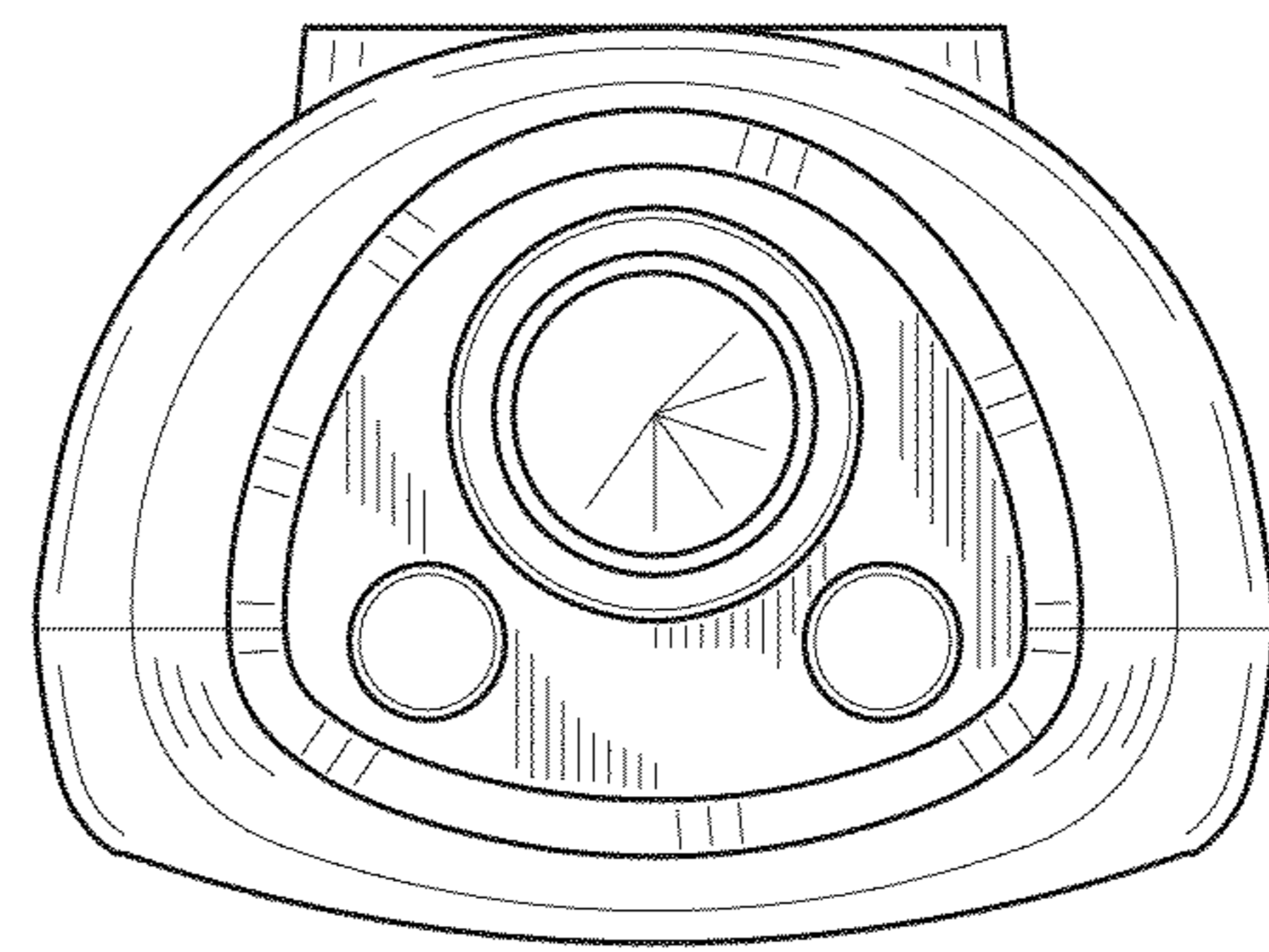


FIG. 4

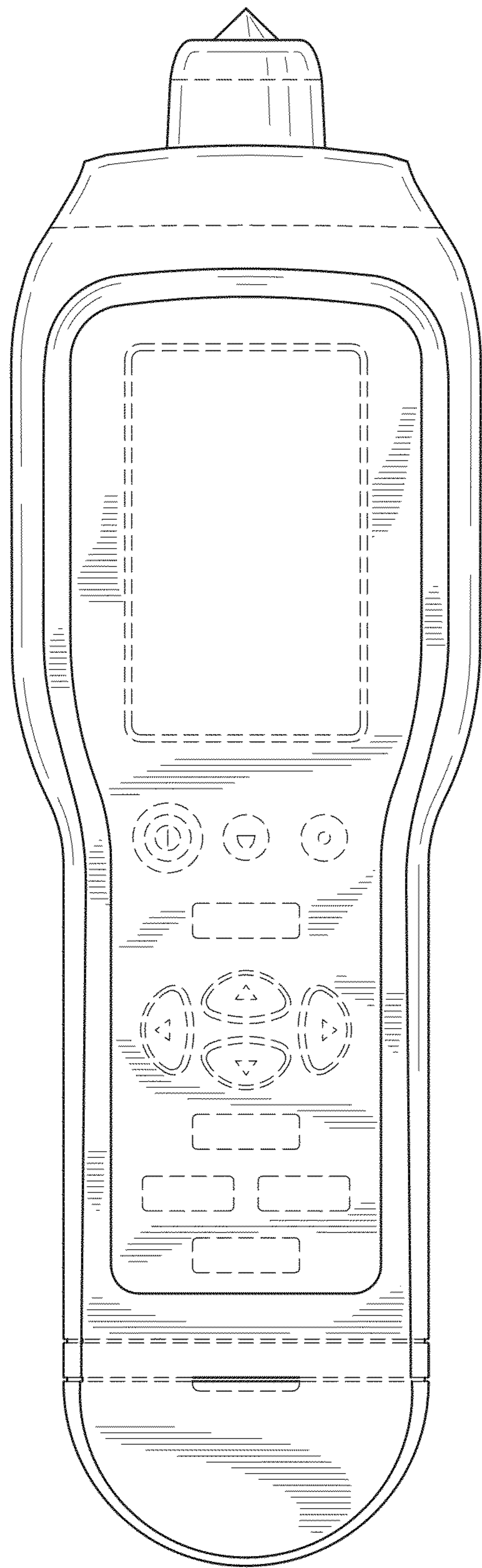


FIG. 5

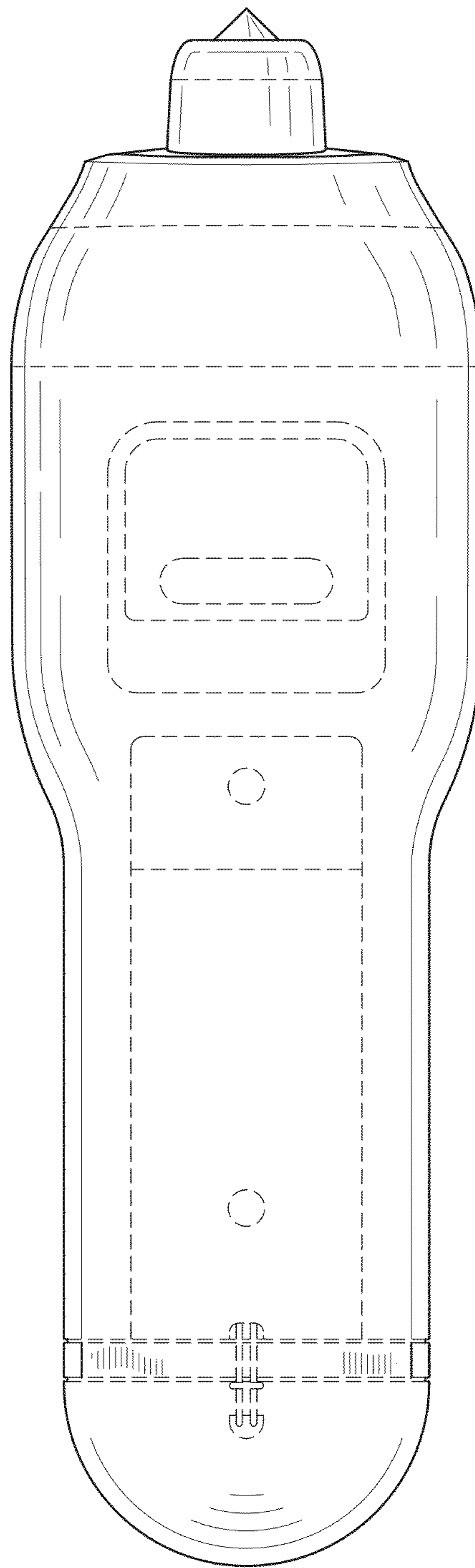


FIG. 6

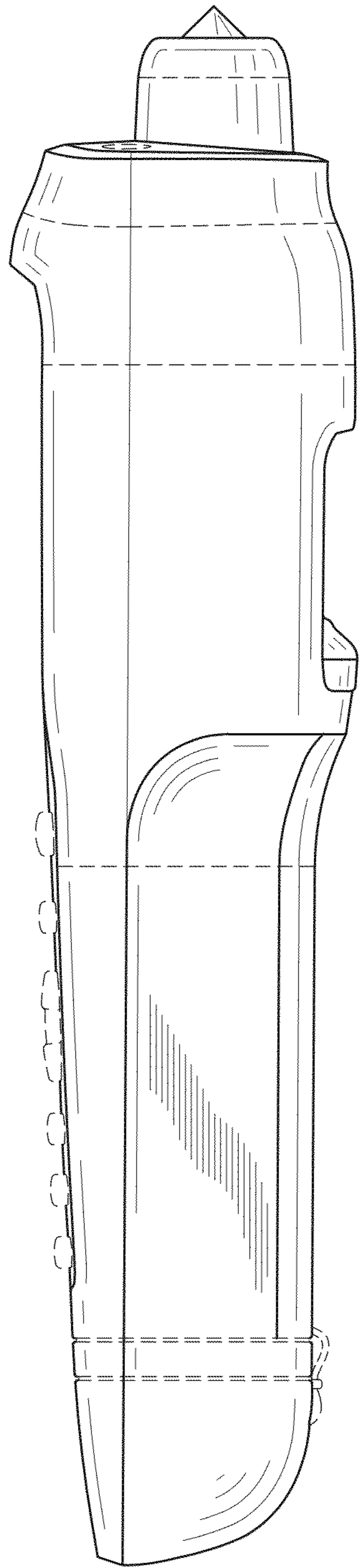


FIG. 7

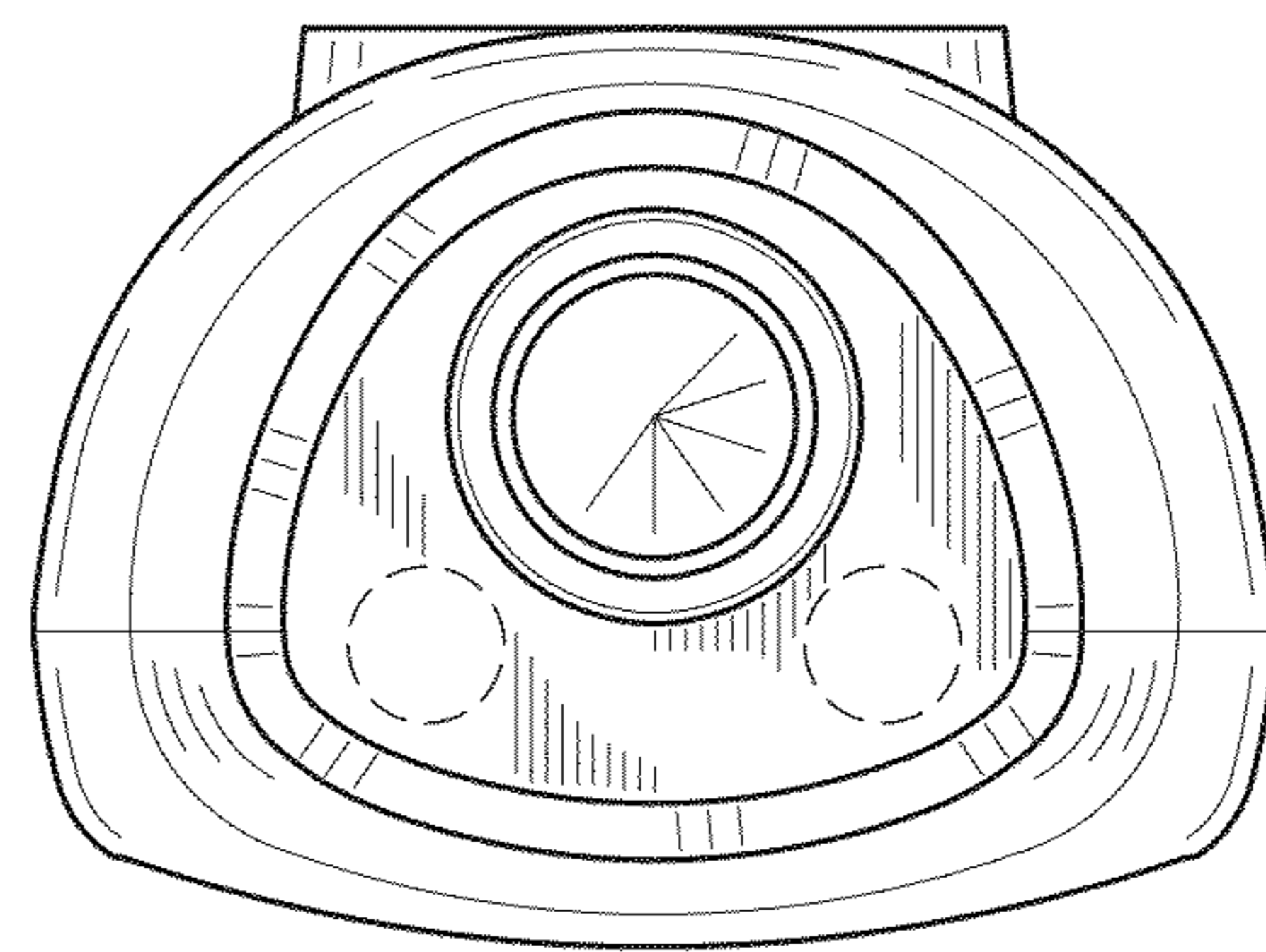


FIG. 8

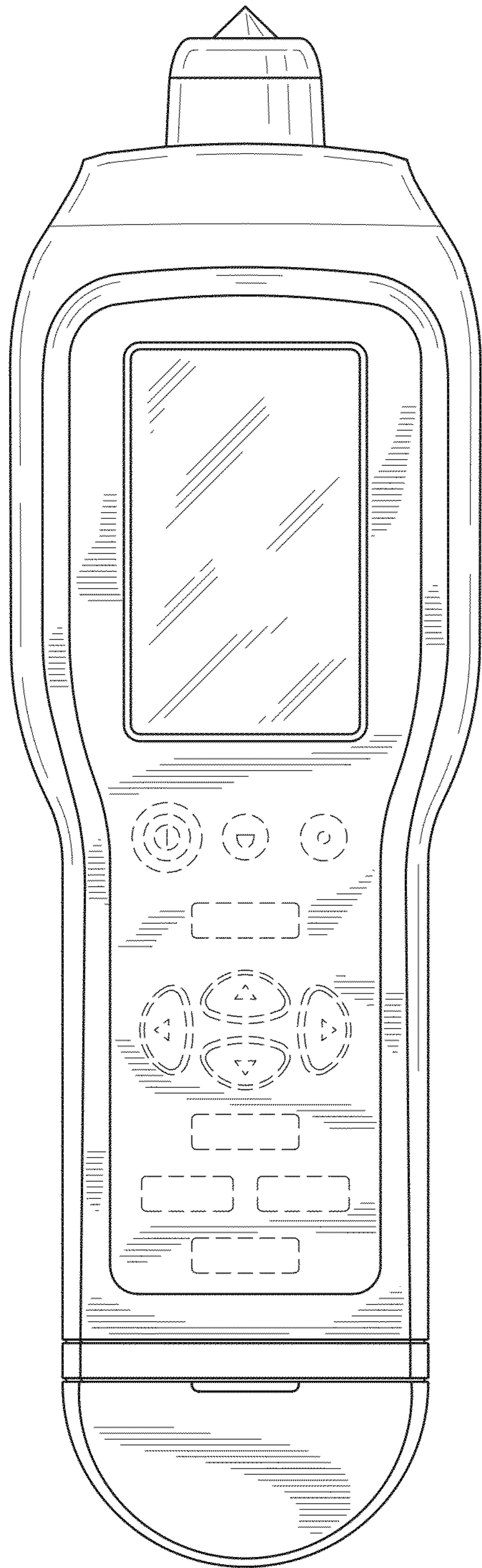


FIG. 9

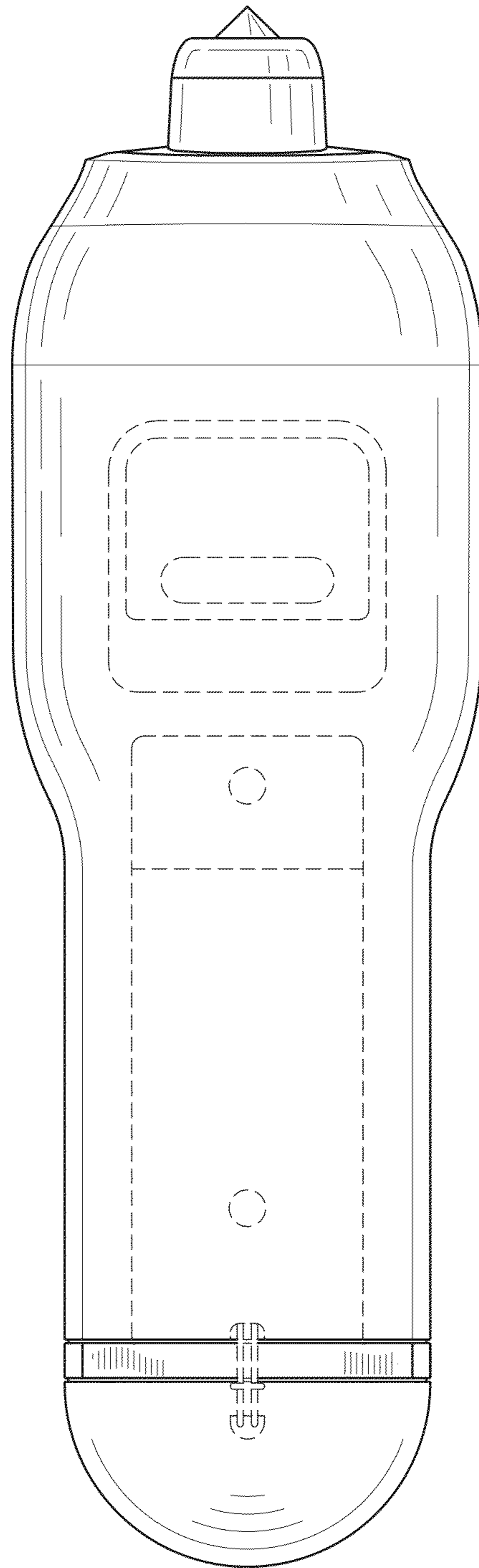


FIG. 10

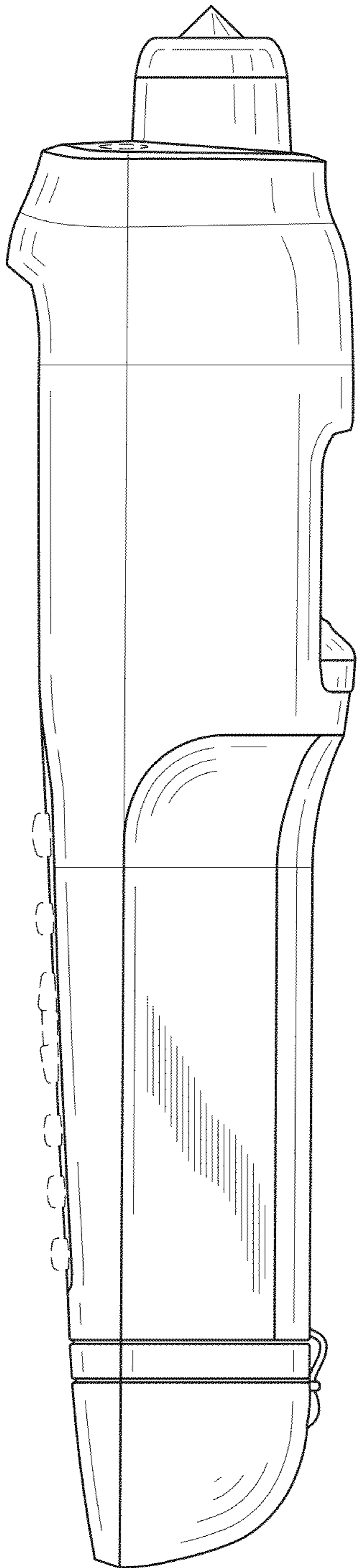


FIG. 11

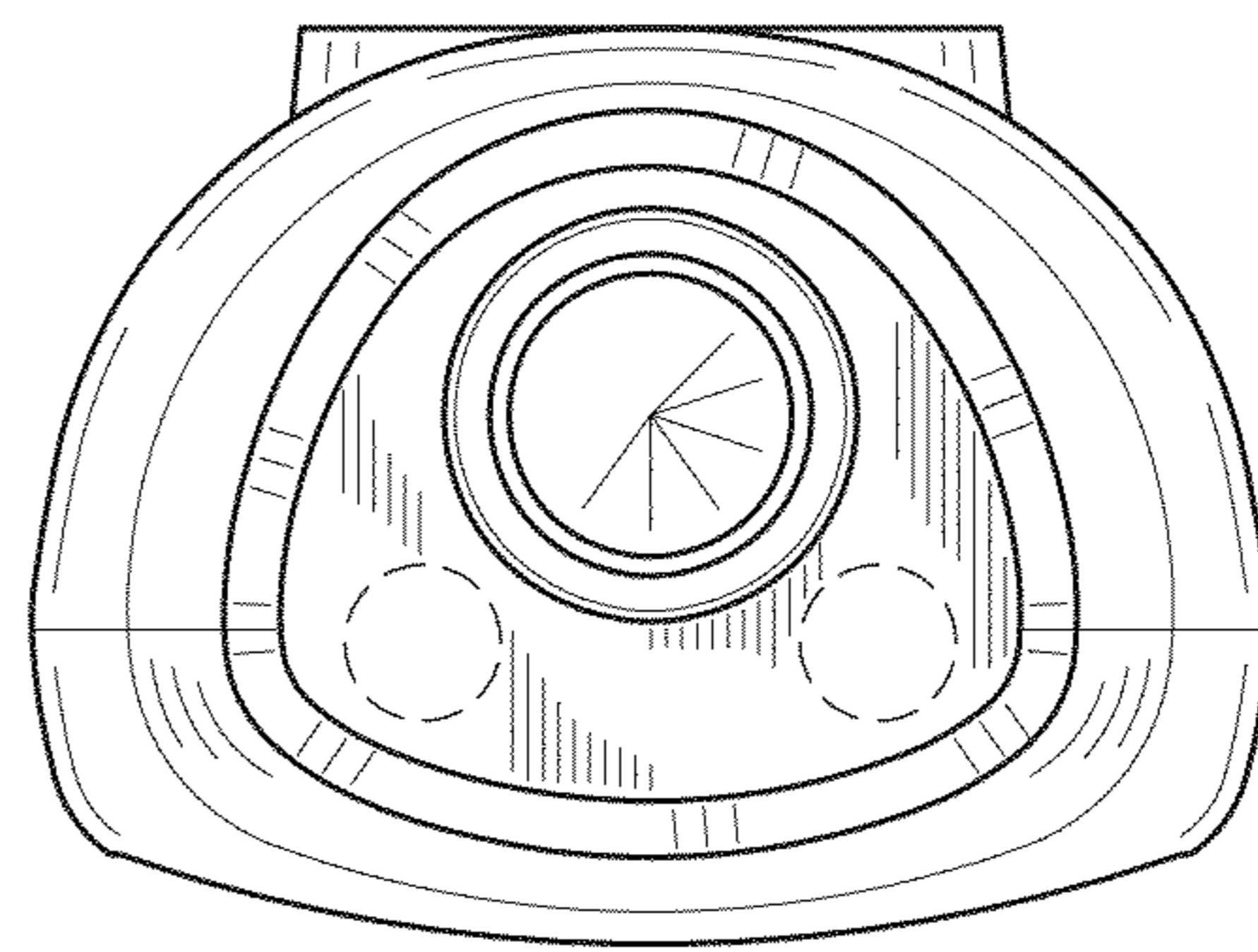


FIG. 12

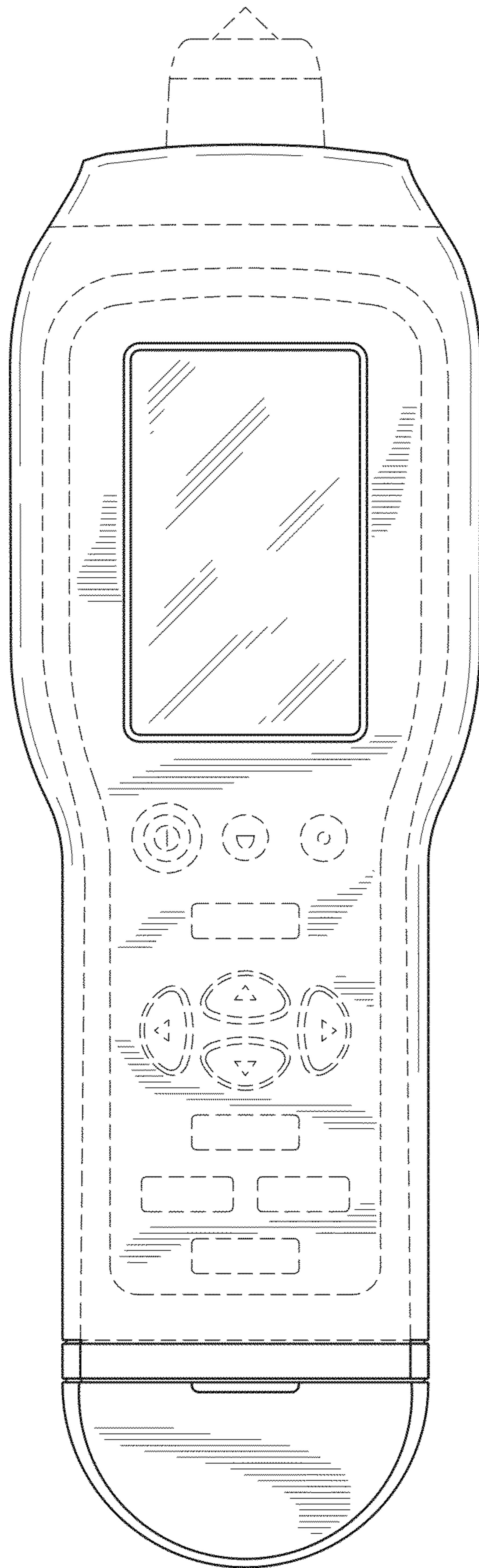


FIG. 13

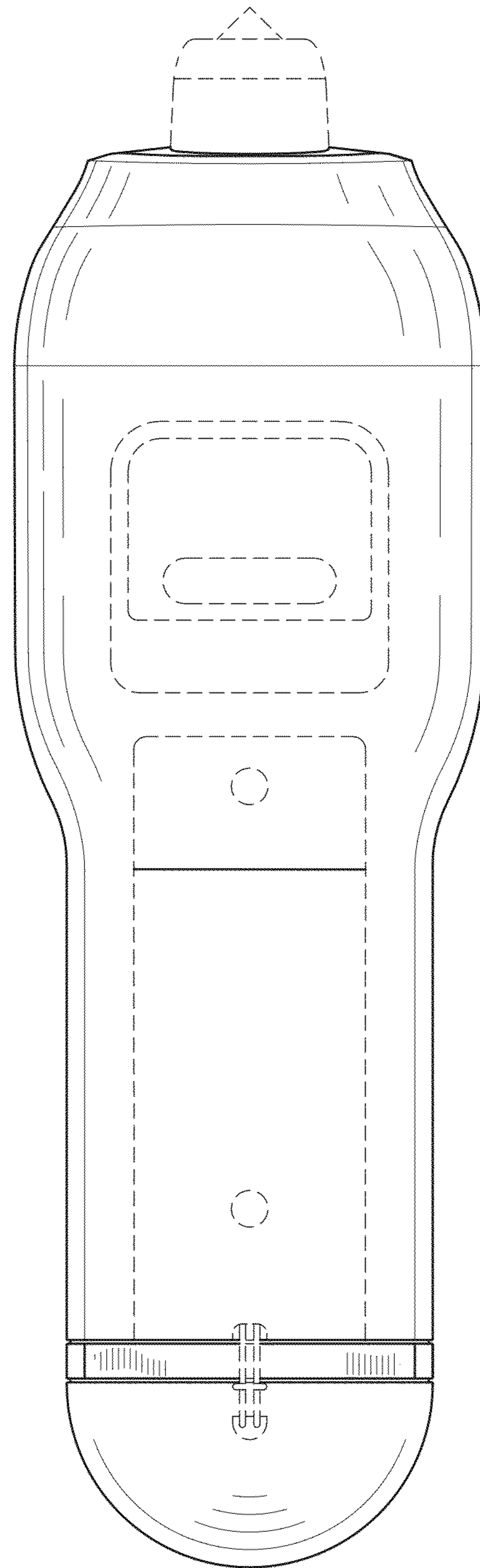


FIG. 14



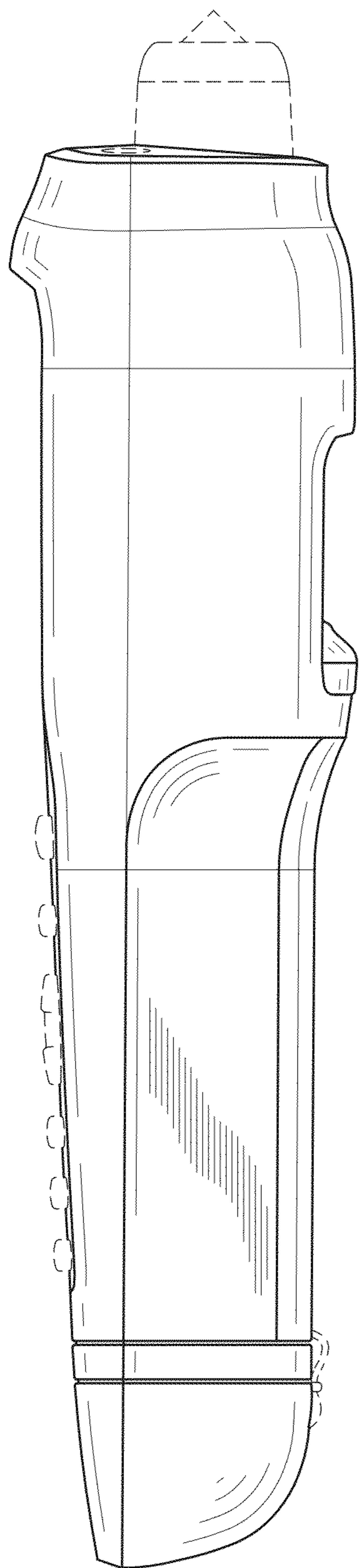


FIG. 15

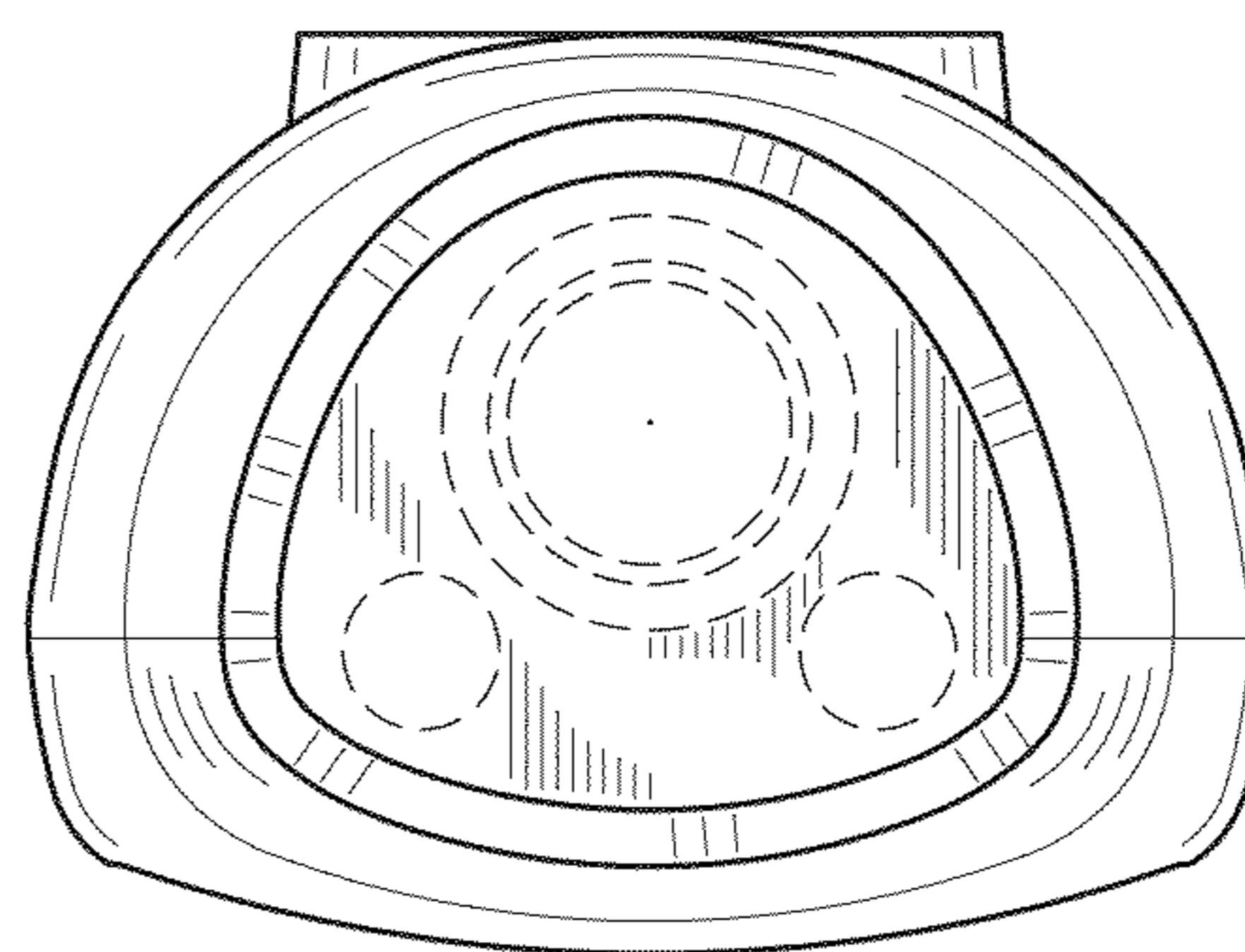


FIG. 16