



US00D684873S

(12) **United States Design Patent**
Steinich et al.

(10) **Patent No.:** **US D684,873 S**
(45) **Date of Patent:** **** Jun. 25, 2013**

(54) **TAPE POSITION SENSOR**

(75) Inventors: **Klaus Manfred Steinich**,
Zorneding/Pöding (DE); **Gunnar Kamp**,
Erding (DE)

(73) Assignee: **ASM Automation Sensorik**
Messtechnik, Moosinning (DE)

(**) Term: **14 Years**

(21) Appl. No.: **29/420,732**

(22) Filed: **May 11, 2012**

(51) **LOC (9) Cl.** **10-04**

(52) **U.S. Cl.**
USPC **D10/66; D10/70**

(58) **Field of Classification Search**
USPC D10/46, 65, 66, 70; 33/1 G, 1 M,
33/1 LG, 1 PT, 1 AP
See application file for complete search history.

(56) **References Cited**

U.S. PATENT DOCUMENTS

3,890,717 A * 6/1975 Haun 33/413
4,274,203 A * 6/1981 Vasile 33/1 LE

* cited by examiner

Primary Examiner — Antoine D Davis

(74) *Attorney, Agent, or Firm* — Head, Johnson &
Kachigian, P.C.

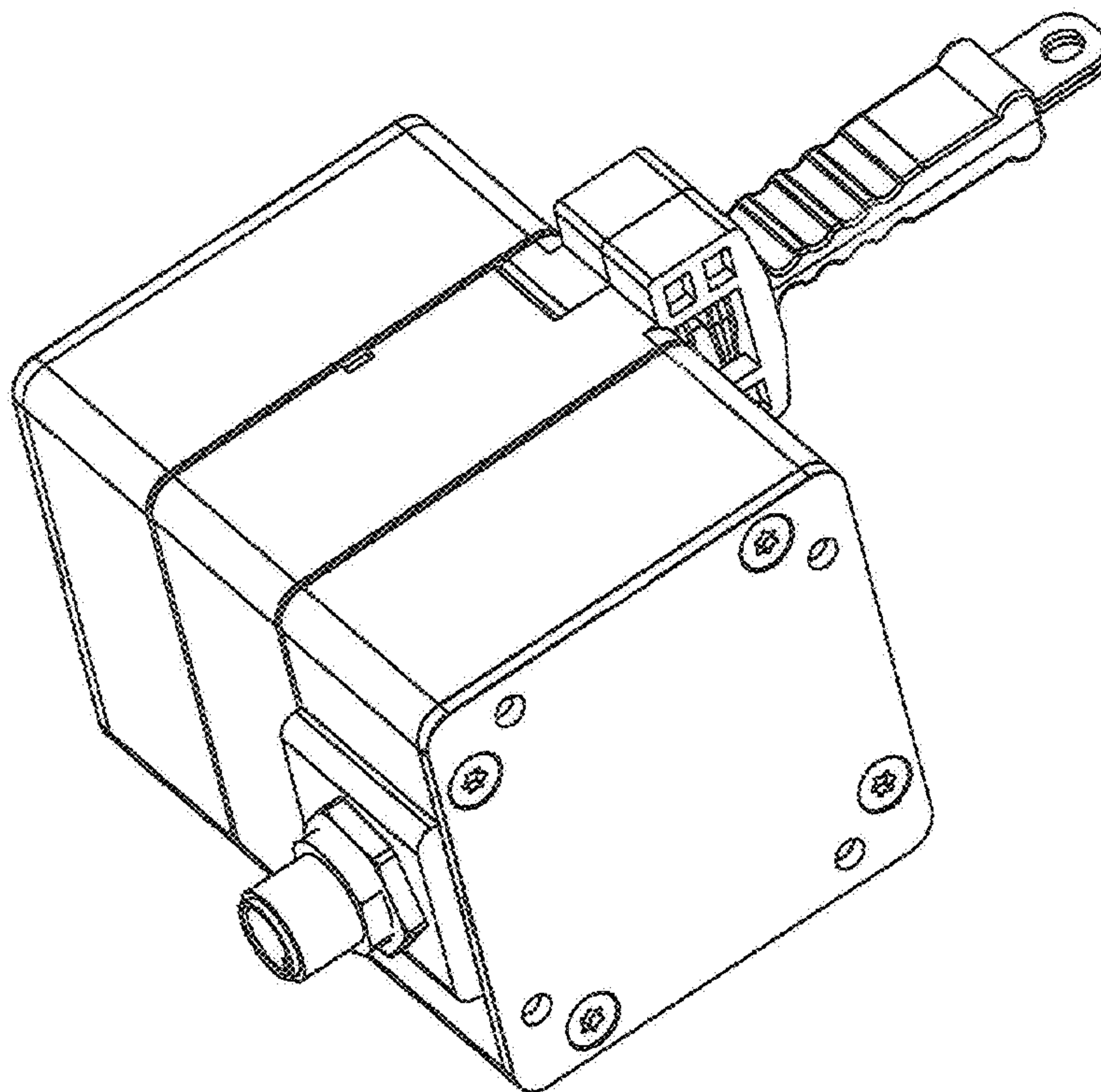
(57) **CLAIM**

The ornamental design for a tape position sensor, as shown and described.

DESCRIPTION

FIG. 1 is a perspective view of a first embodiment of the tape position sensor;
FIG. 2 is a bottom view thereof;
FIG. 3 is a rear view thereof;
FIG. 4 is a right side view thereof;
FIG. 5 is a front view thereof;
FIG. 6 is a left side view thereof;
FIG. 7 is a top view thereof;
FIG. 8 is a perspective view of a second embodiment of the tape position sensor;
FIG. 9 is a bottom view thereof;
FIG. 10 is a rear view thereof;
FIG. 11 is a right side view thereof;
FIG. 12 is a front view thereof;
FIG. 13 is a left side view thereof;
FIG. 14 is a top view thereof;
FIG. 15 is a perspective view of a third embodiment of the tape position sensor;
FIG. 16 is a bottom view thereof;
FIG. 17 is a rear view thereof;
FIG. 18 is a right side view thereof;
FIG. 19 is a front view thereof;
FIG. 20 is a left side view thereof; and,
FIG. 21 is a top view thereof.

1 Claim, 21 Drawing Sheets



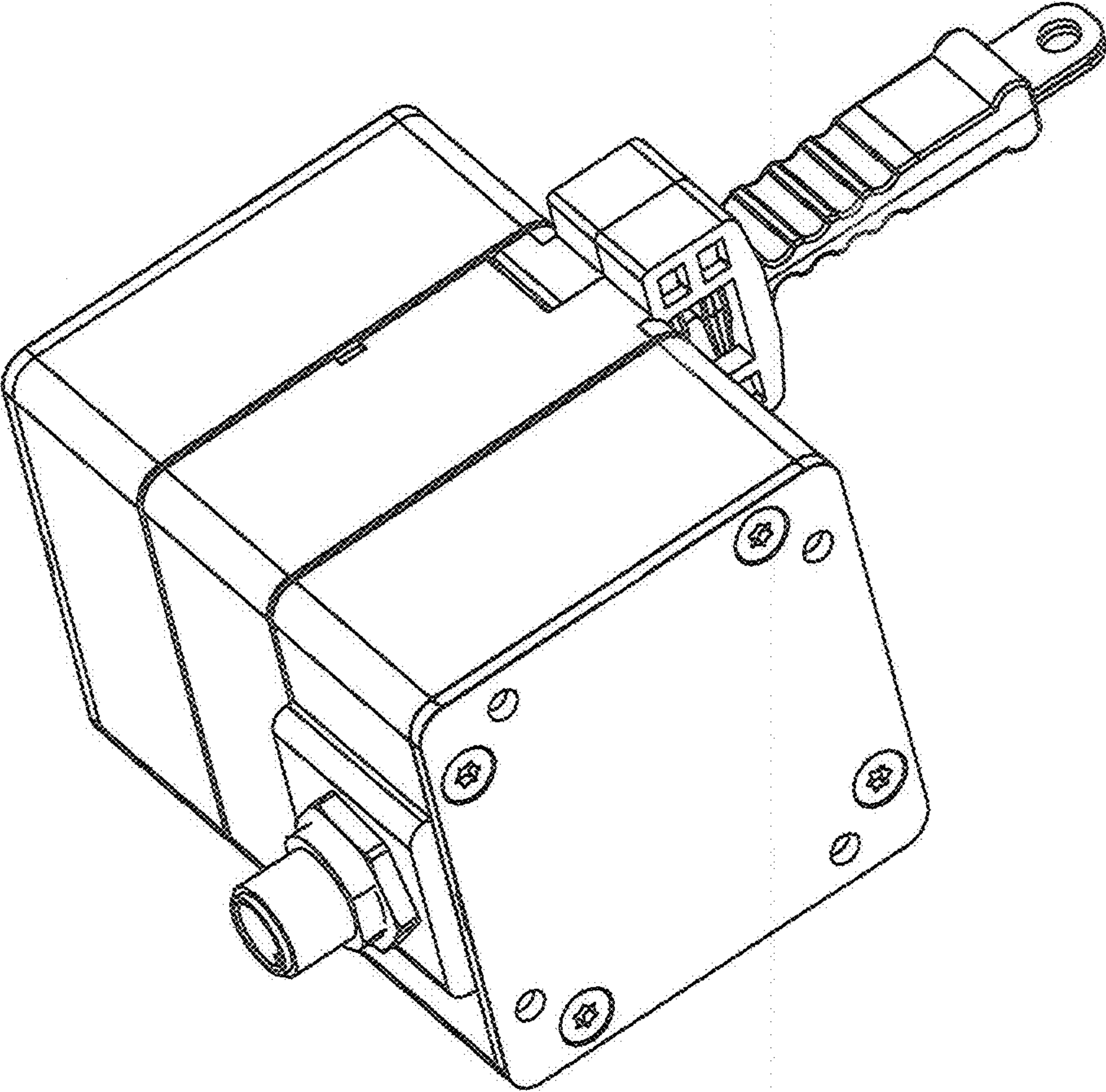


Figure 1

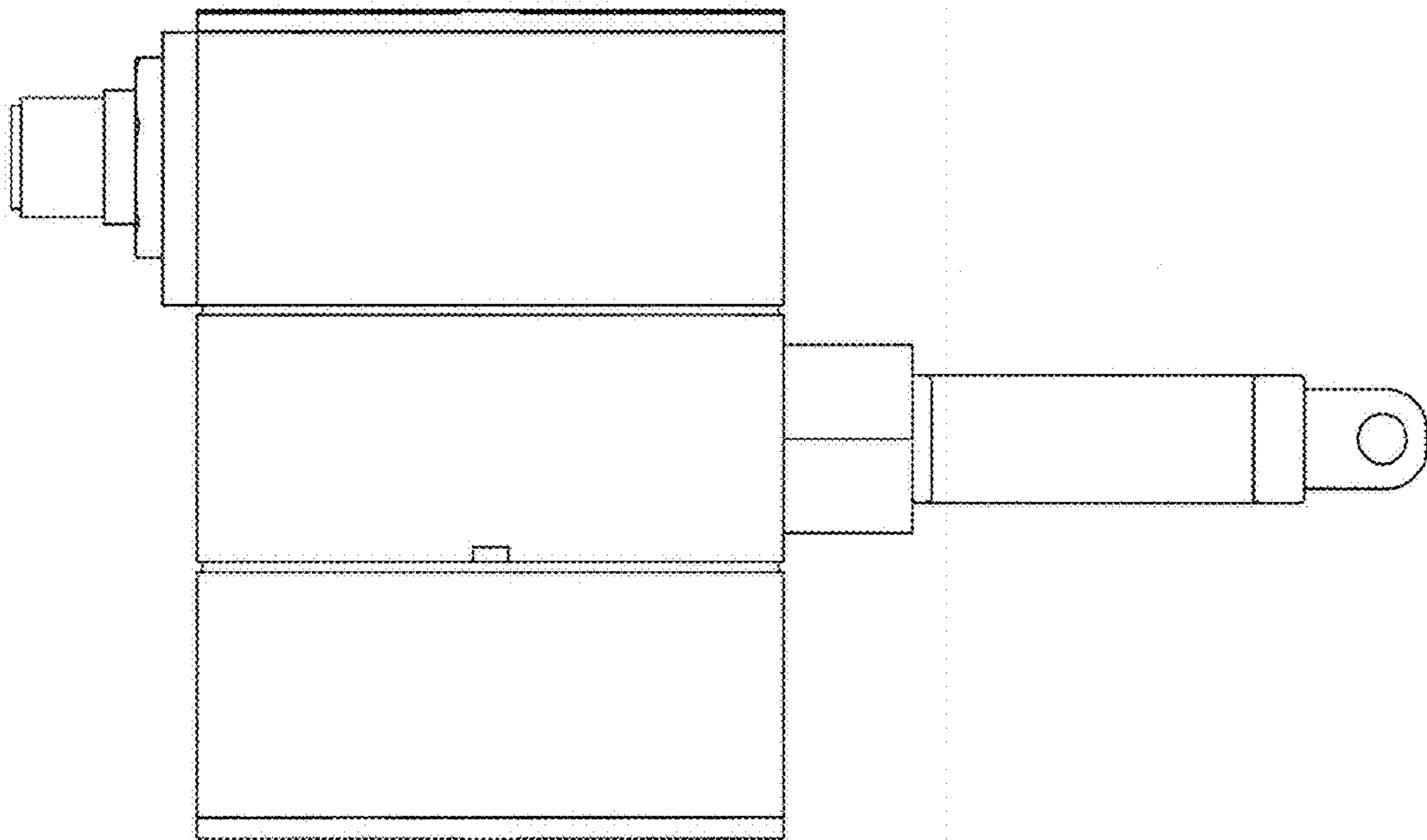


Figure 2

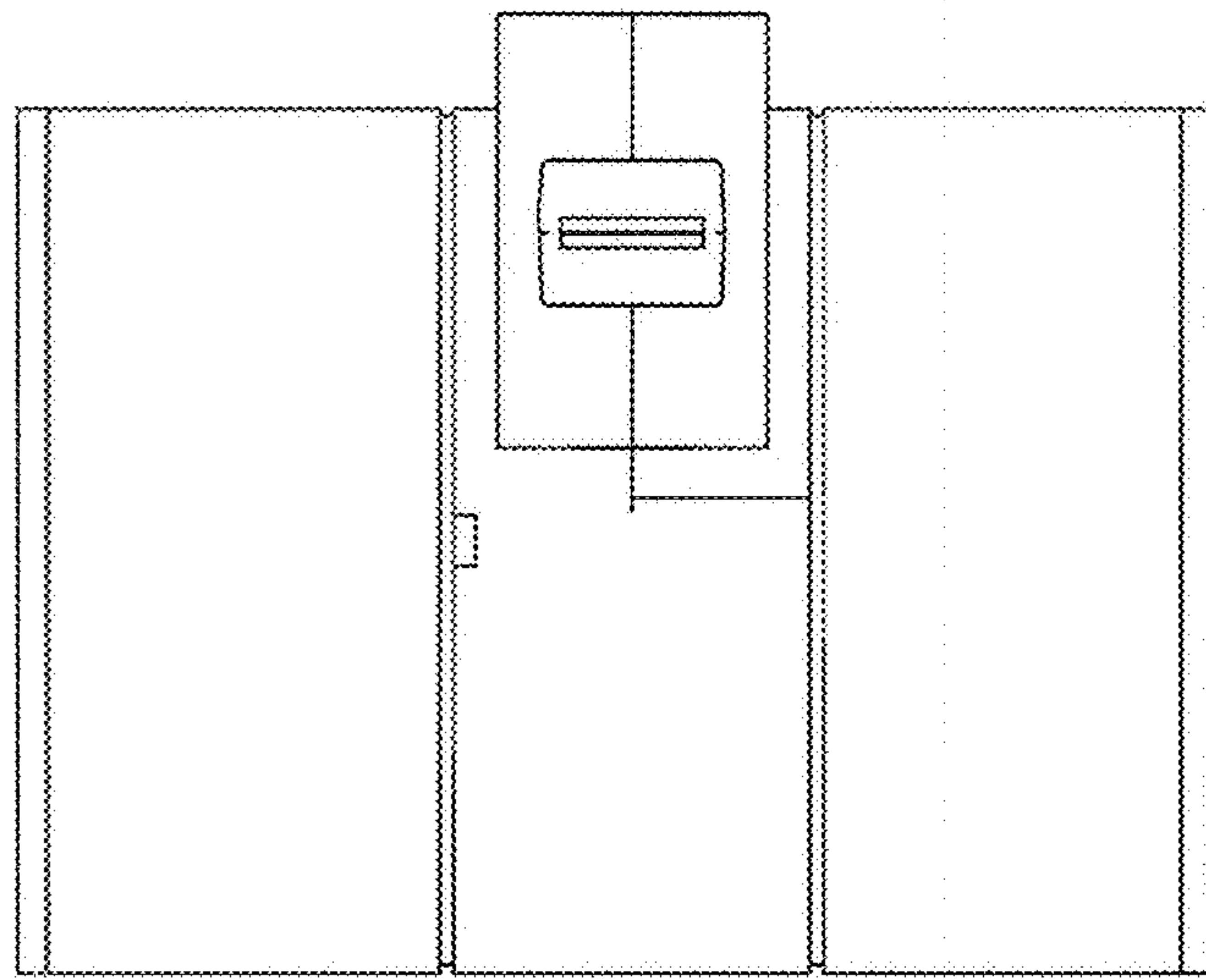


Figure 3

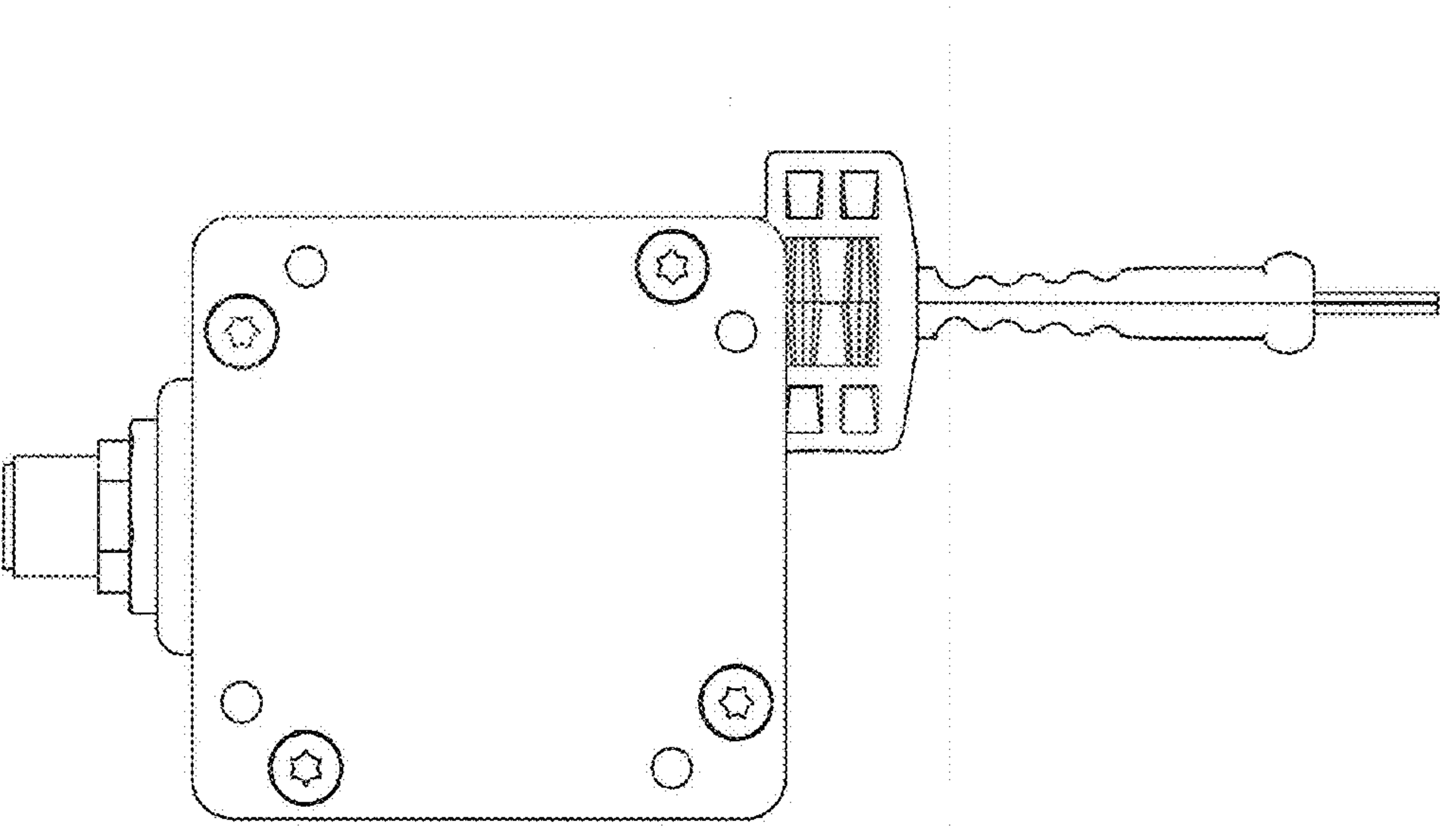


Figure 4

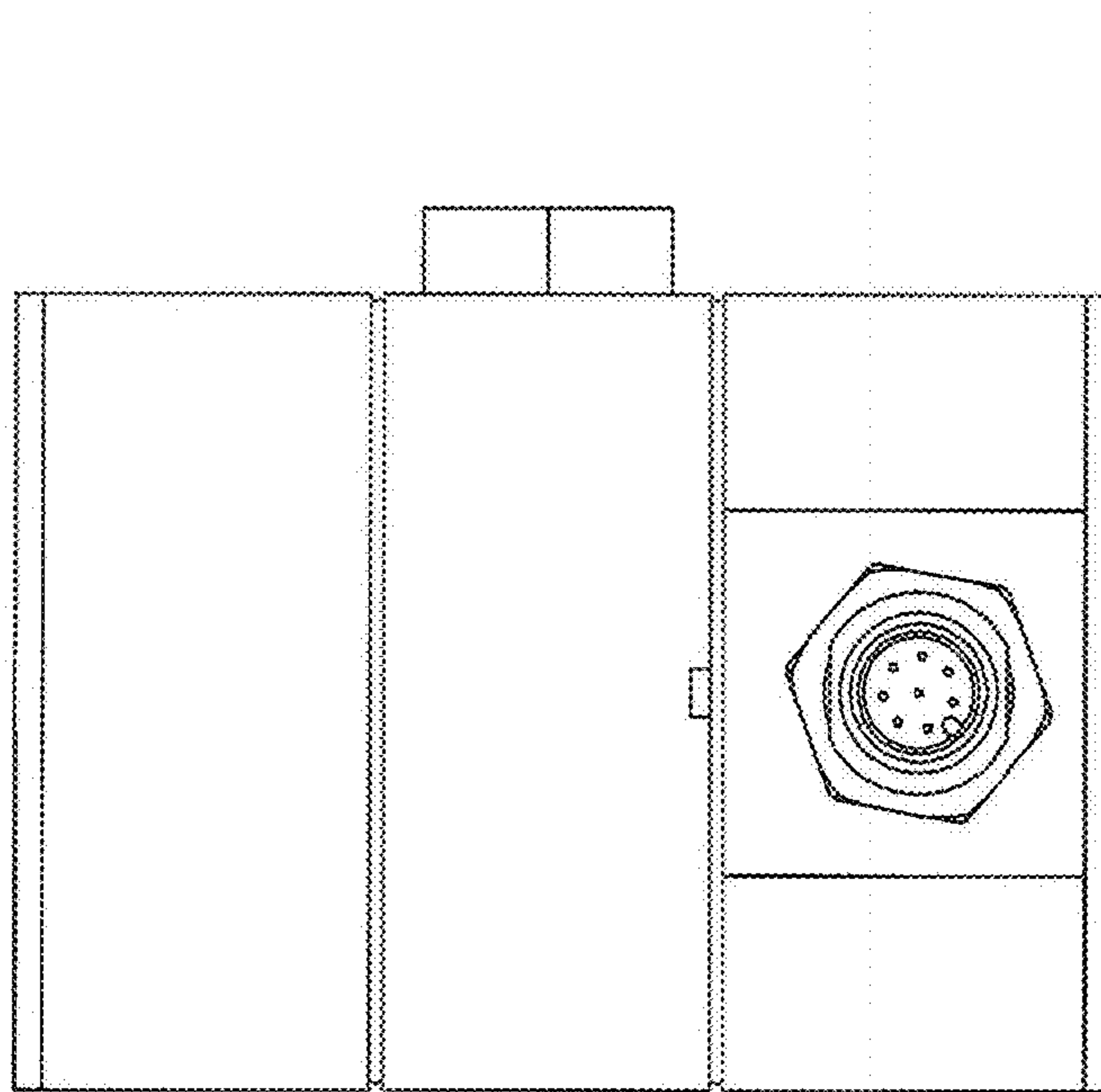


Figure 5

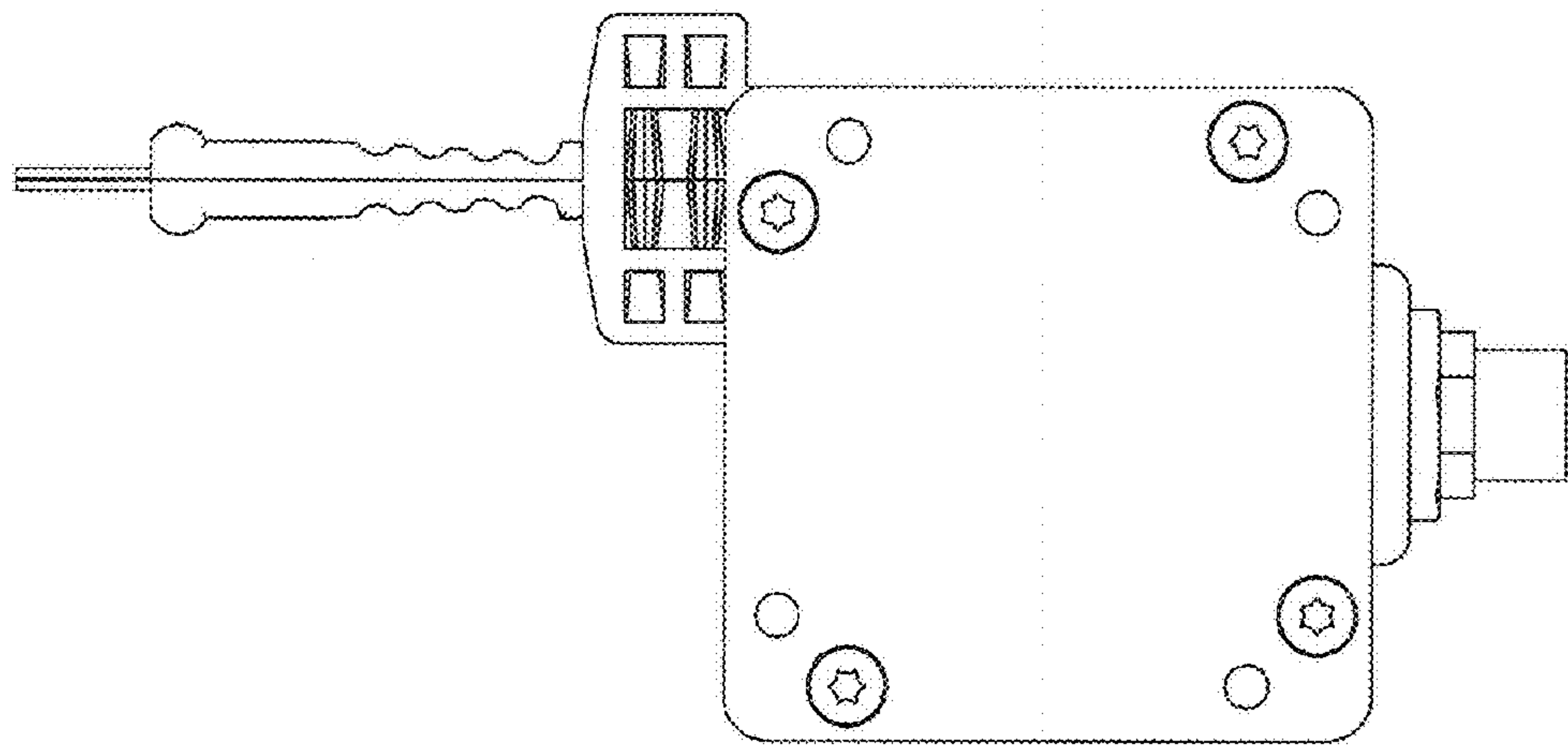


Figure 6

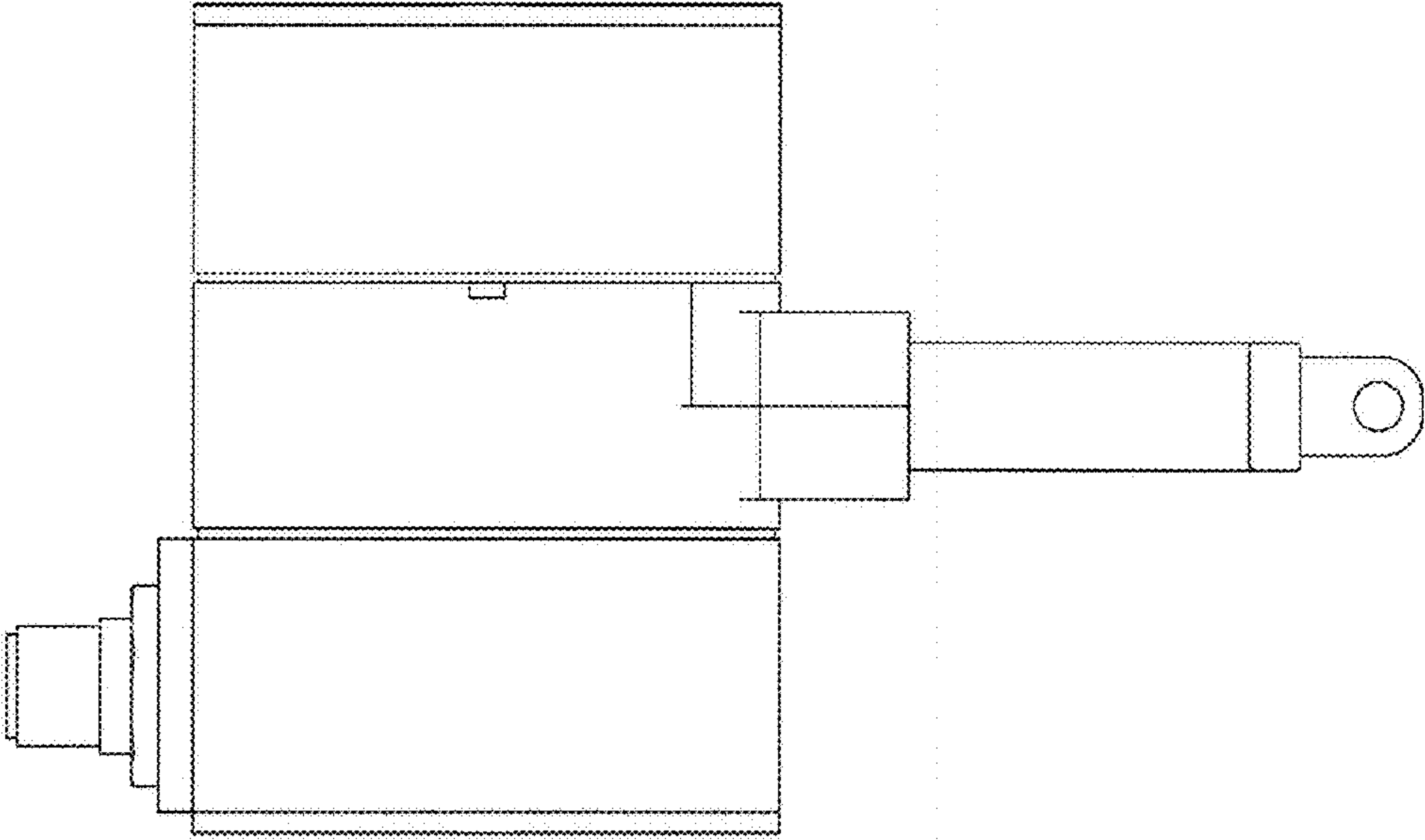


Figure 7

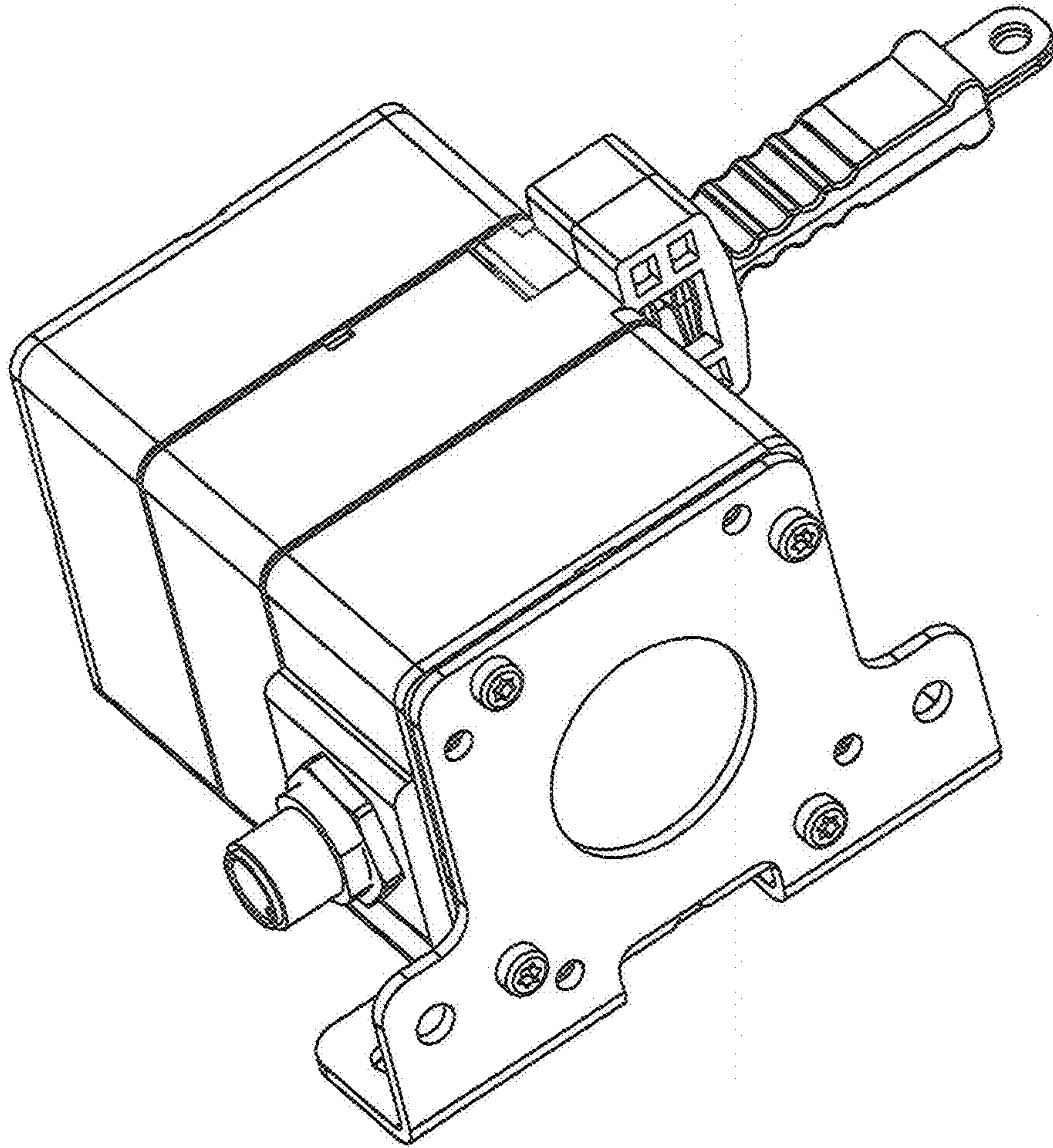


Figure 8

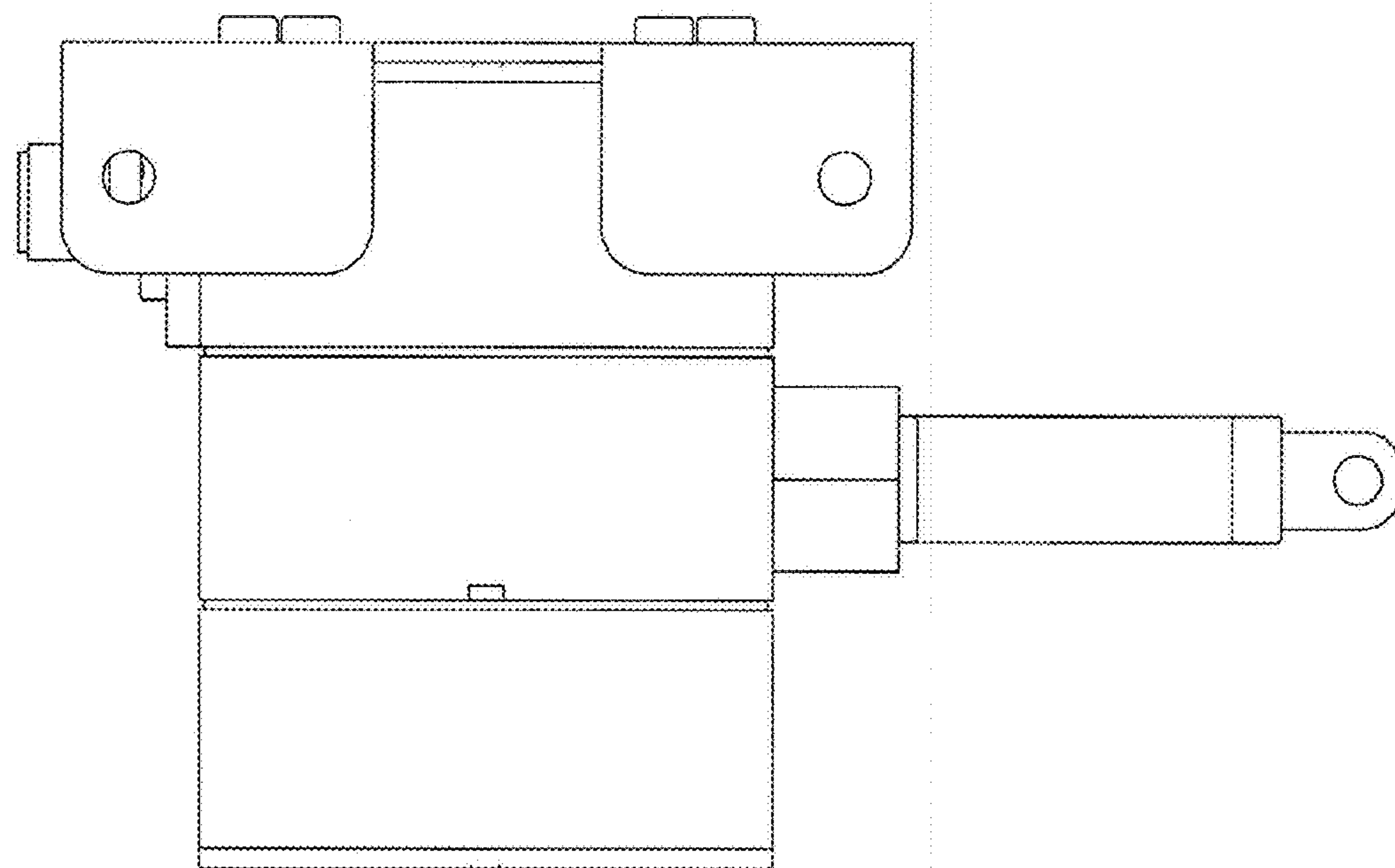


Figure 9

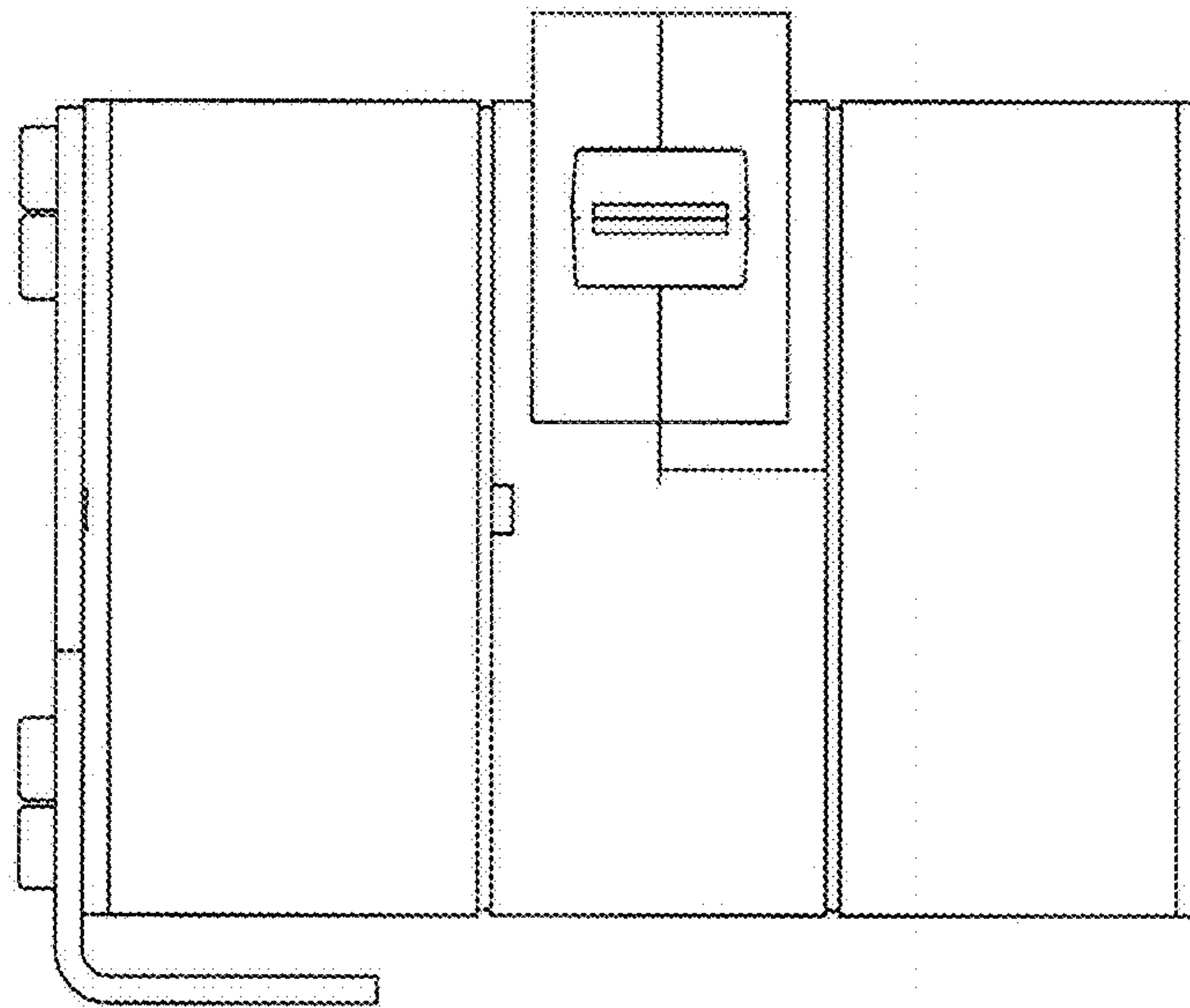


Figure 10

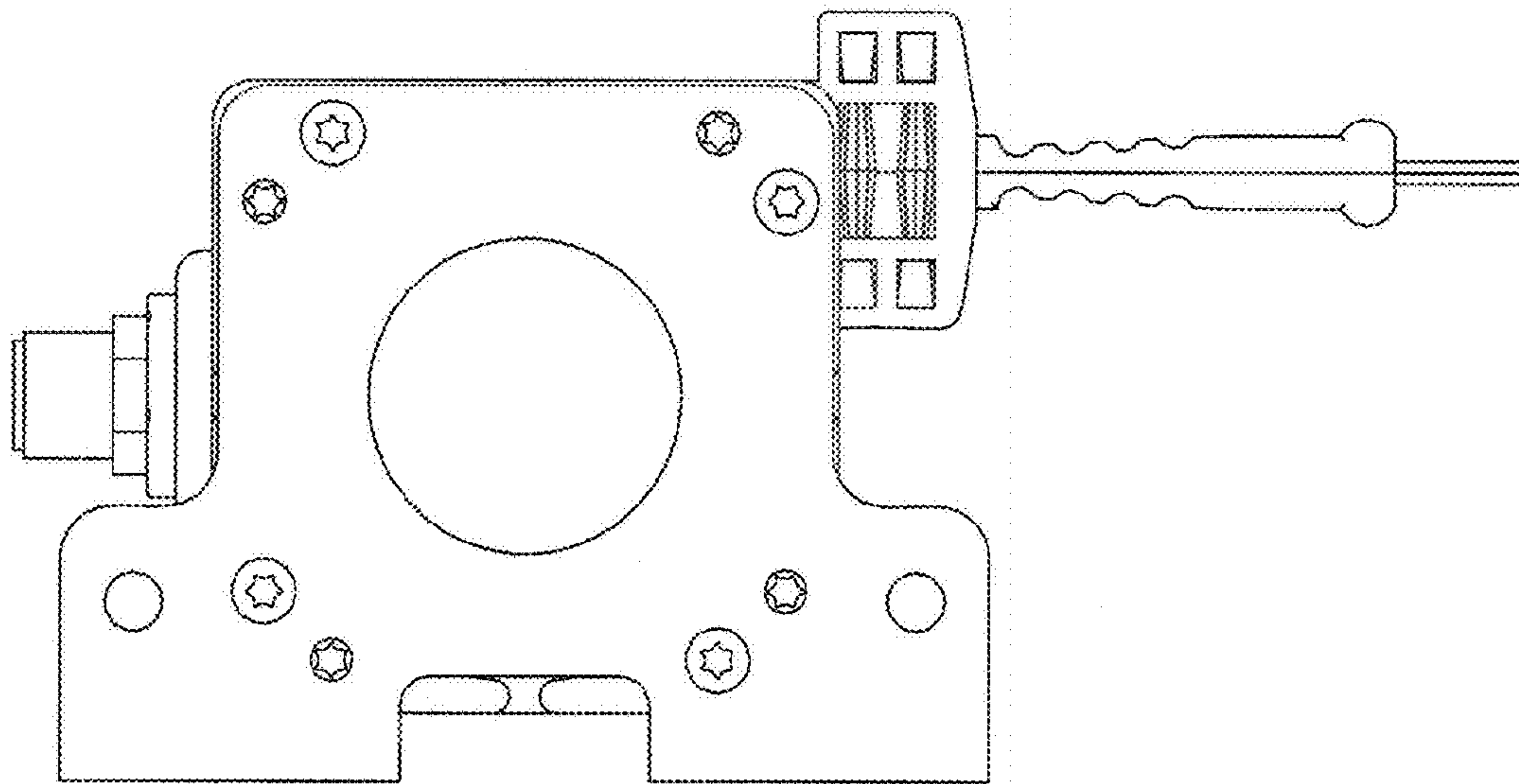


Figure 11

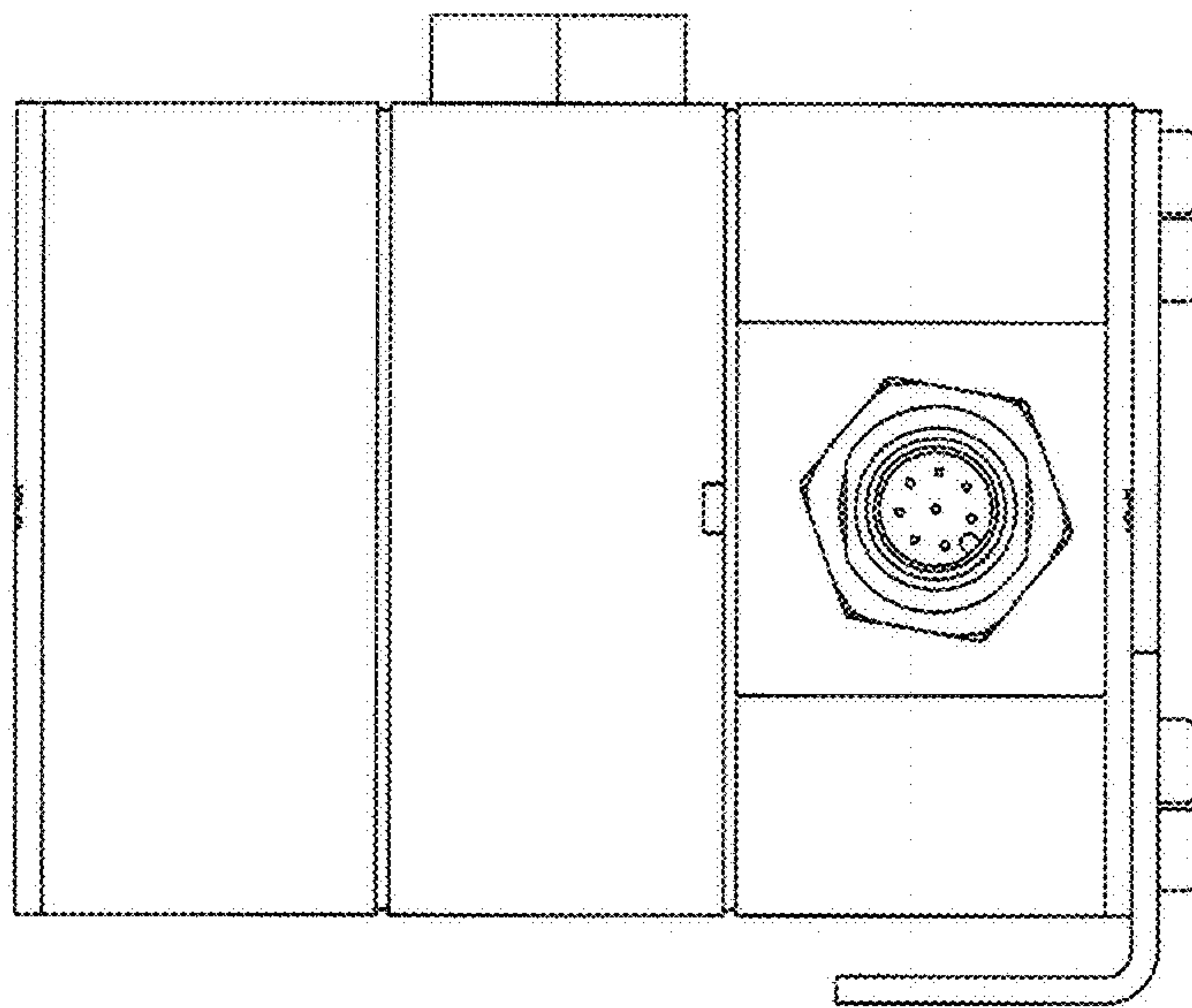


Figure 12

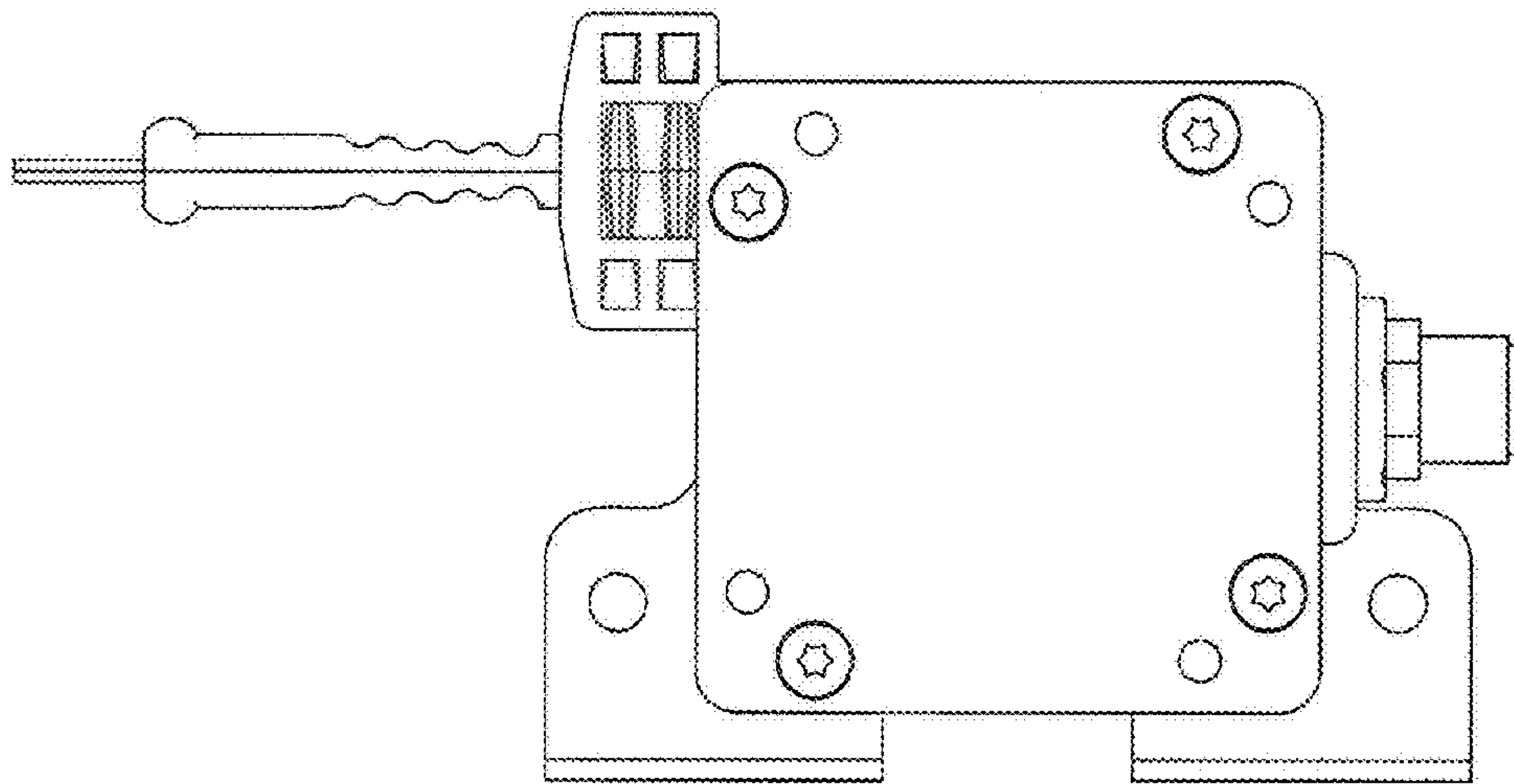


Figure 13

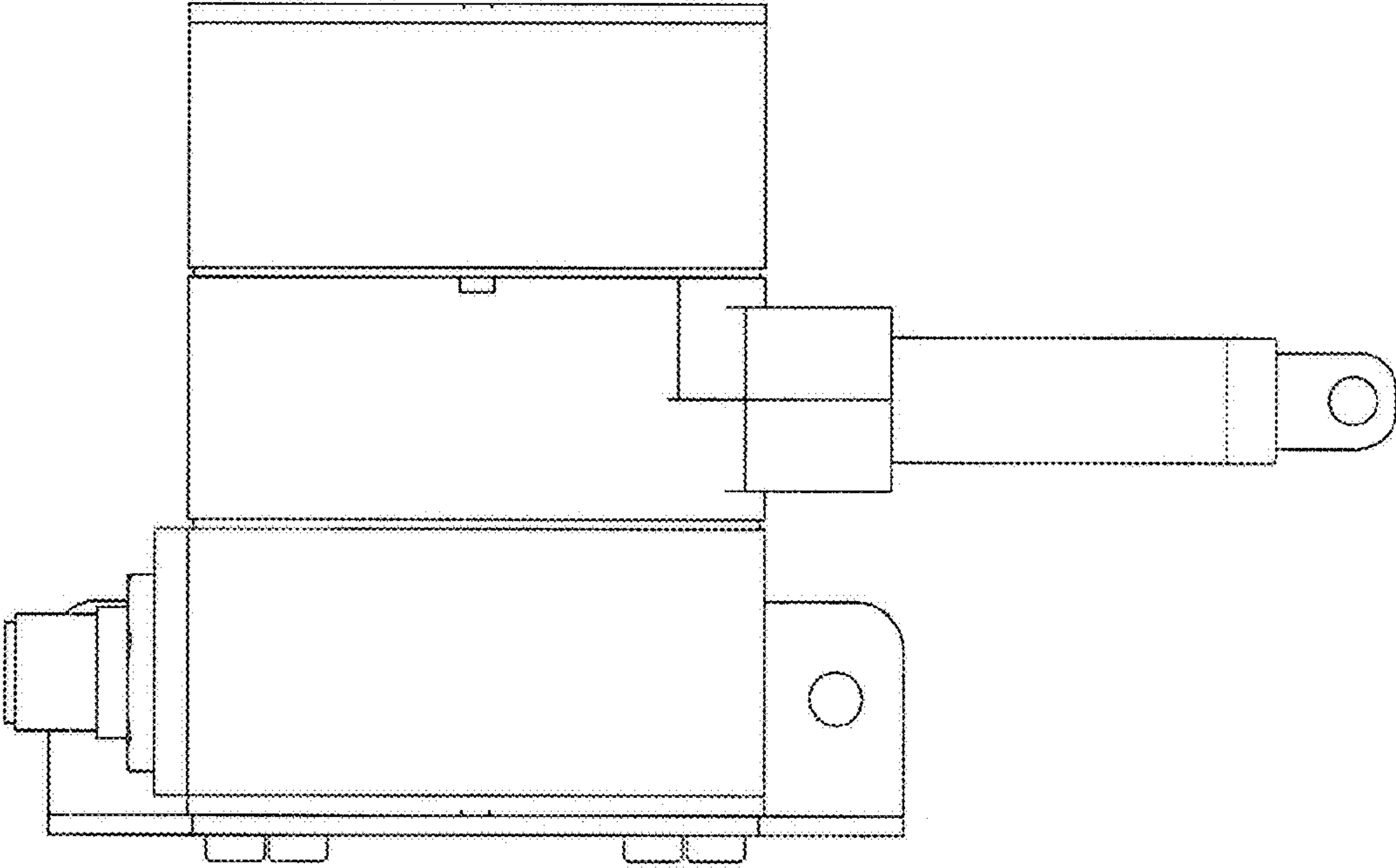


Figure 14

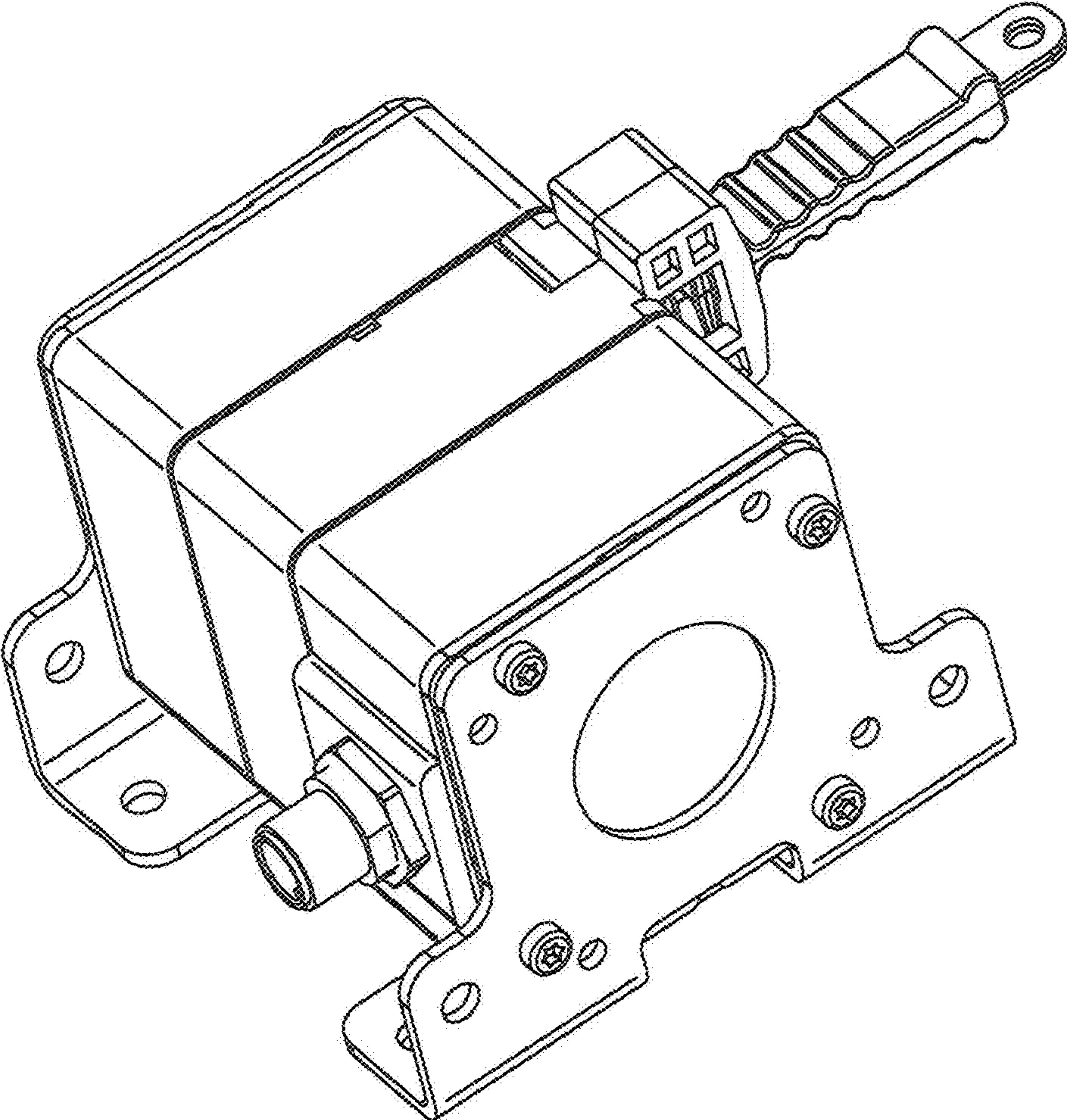


Figure 15

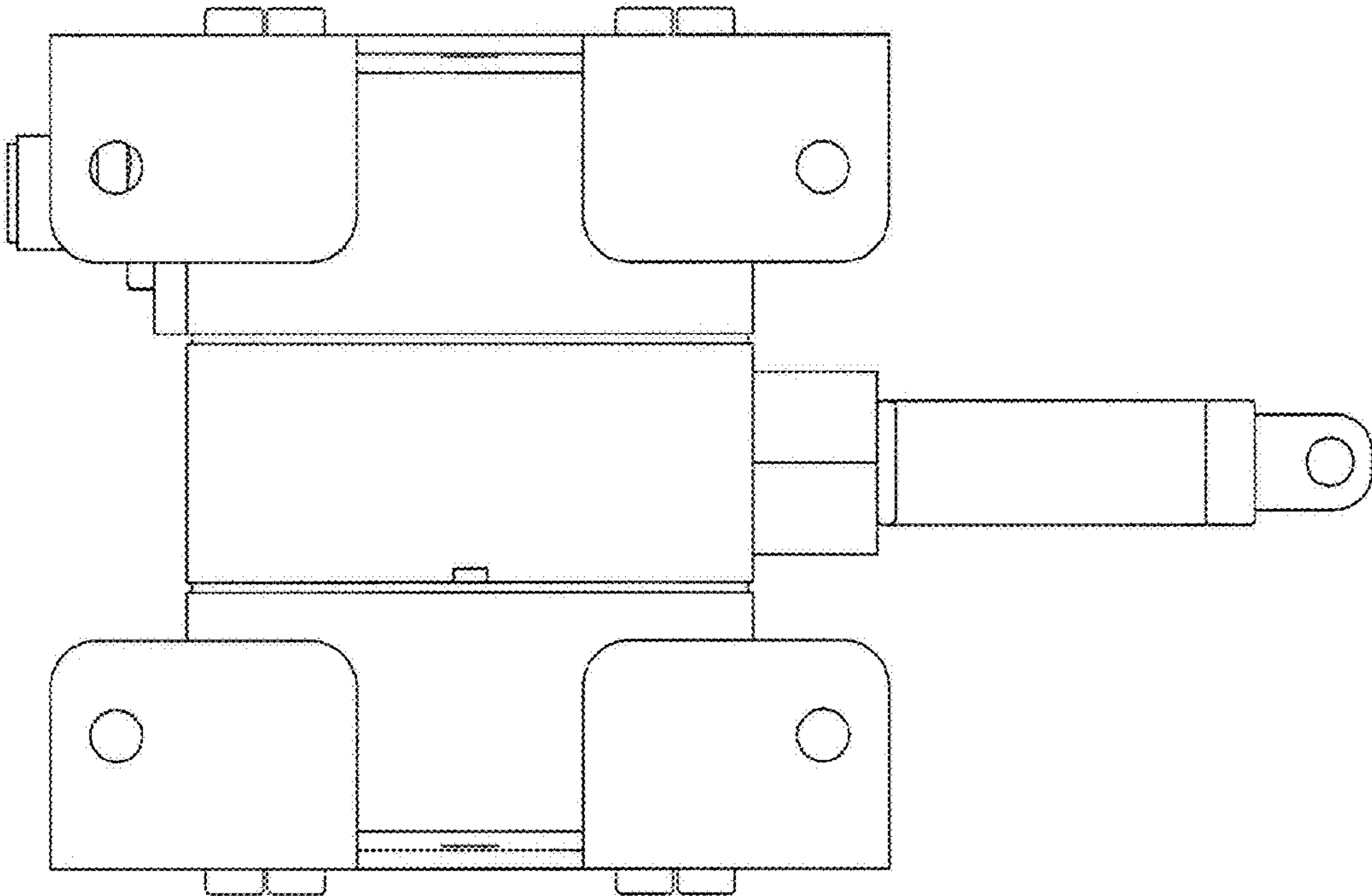


Figure 16

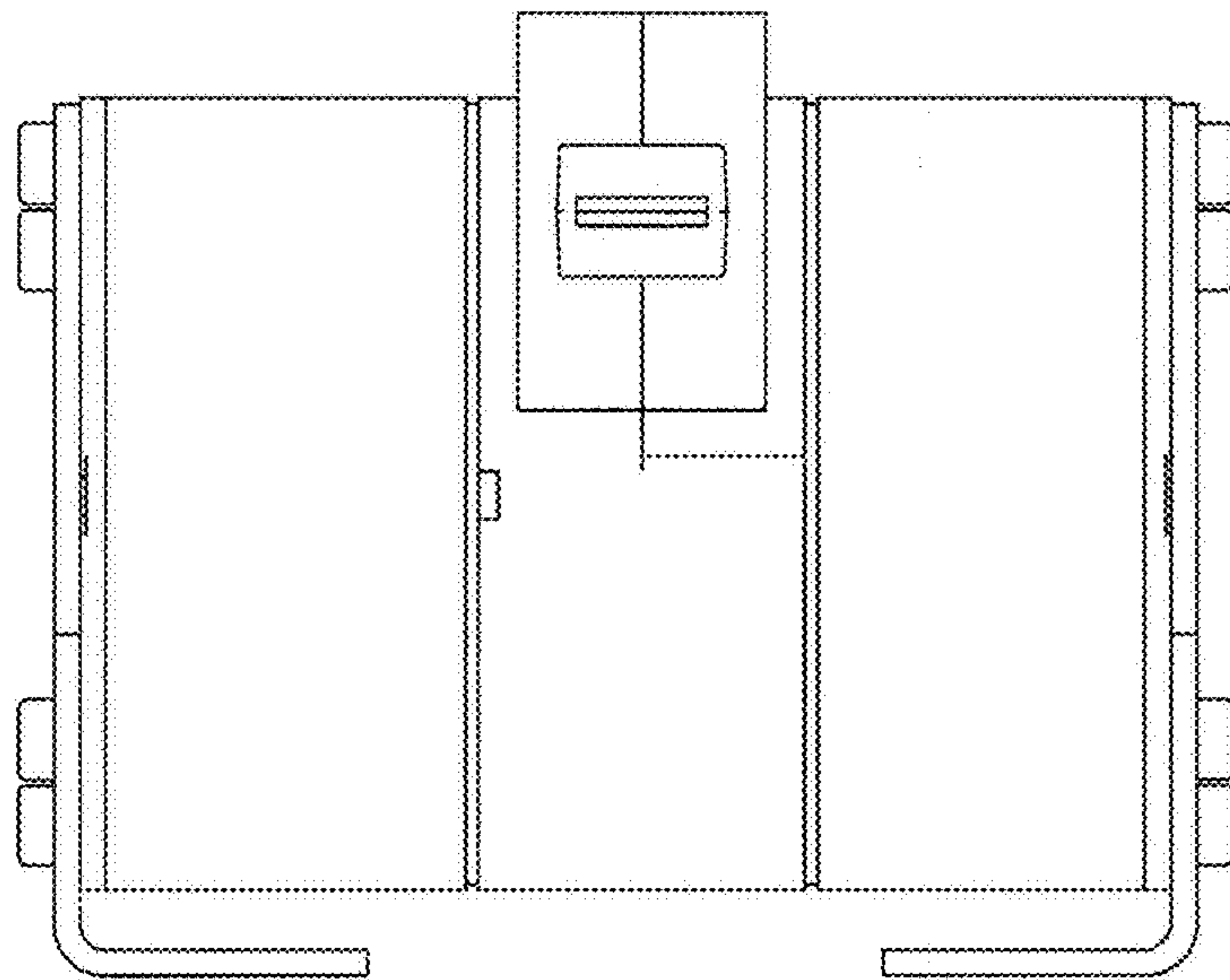


Figure 17

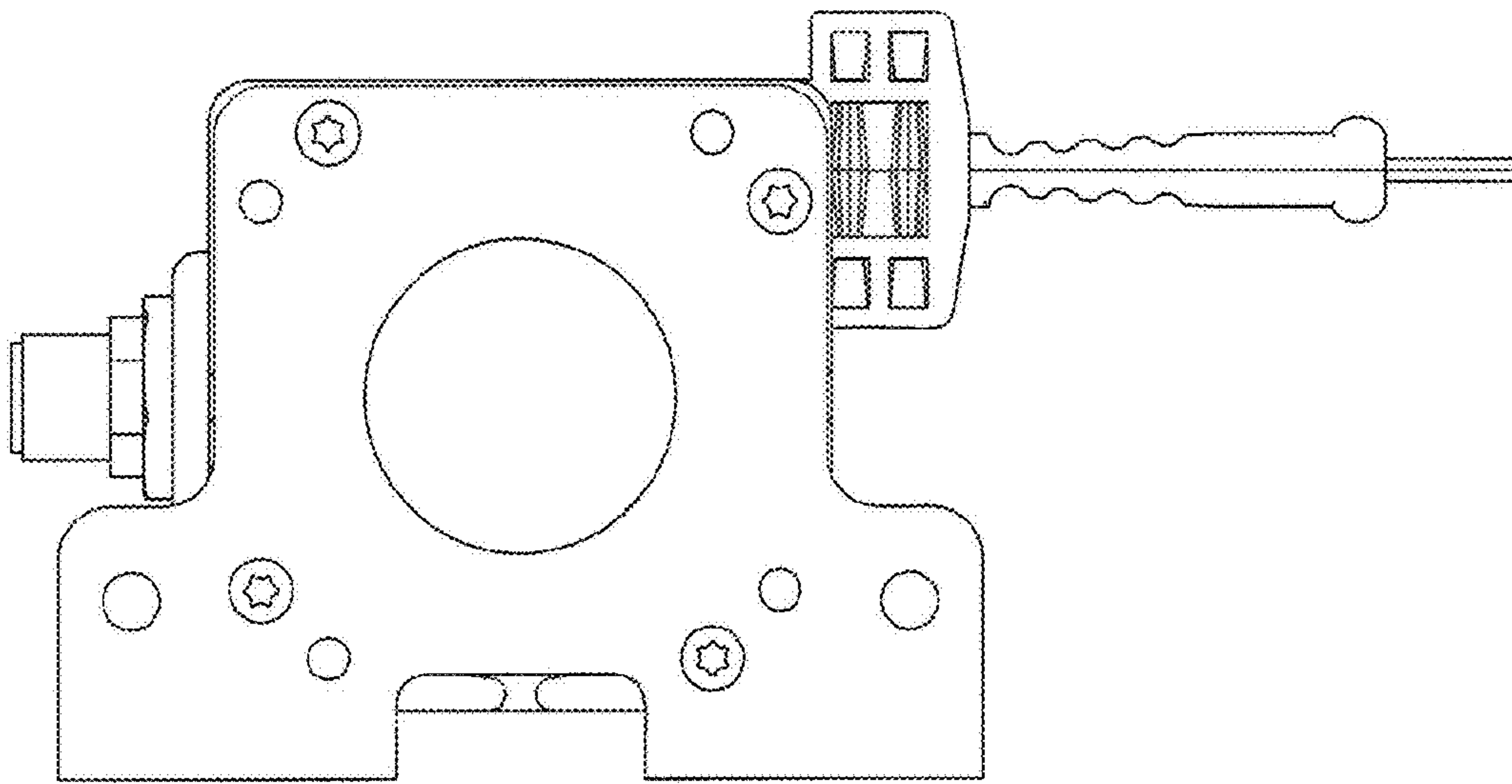


Figure 18

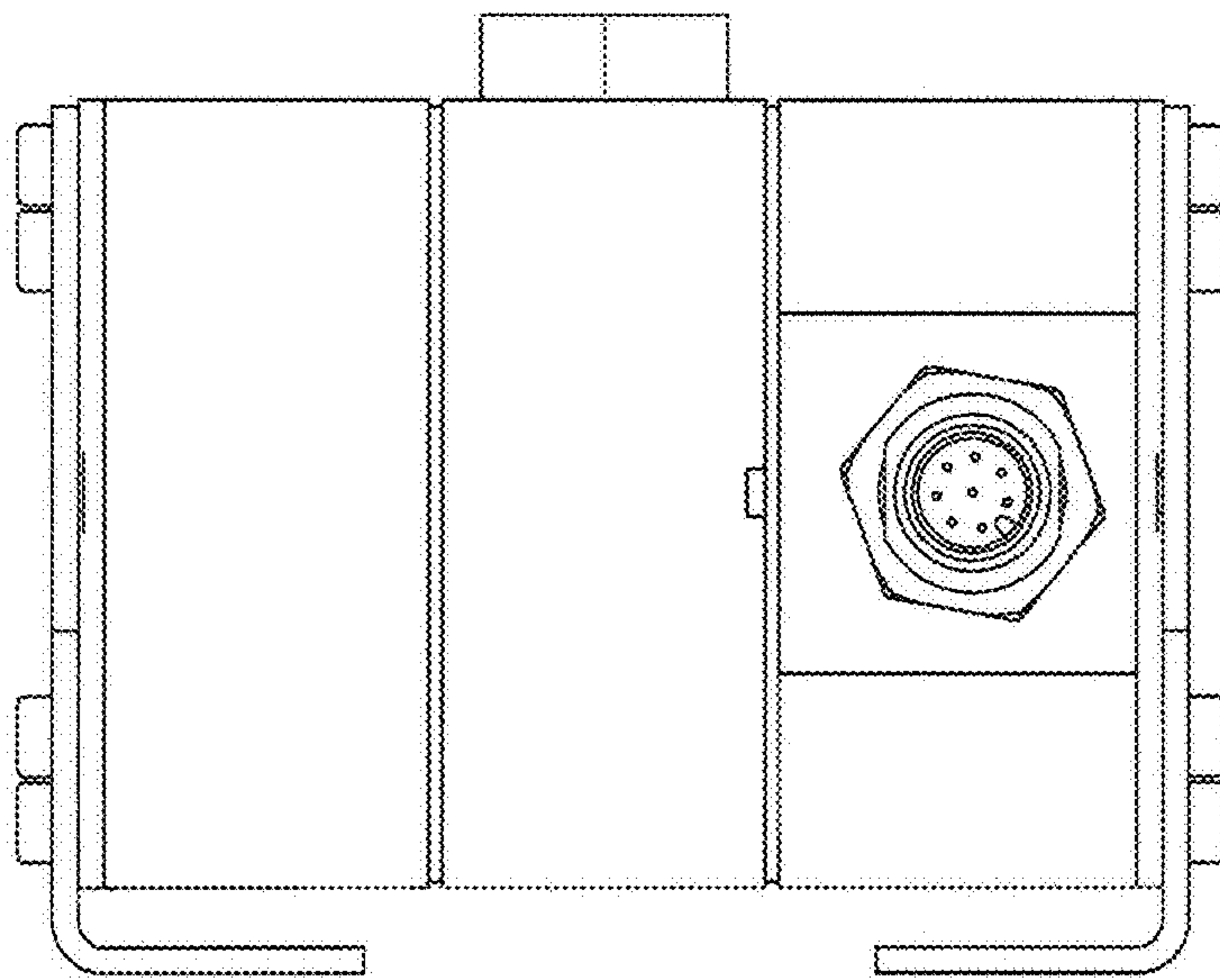


Figure 19

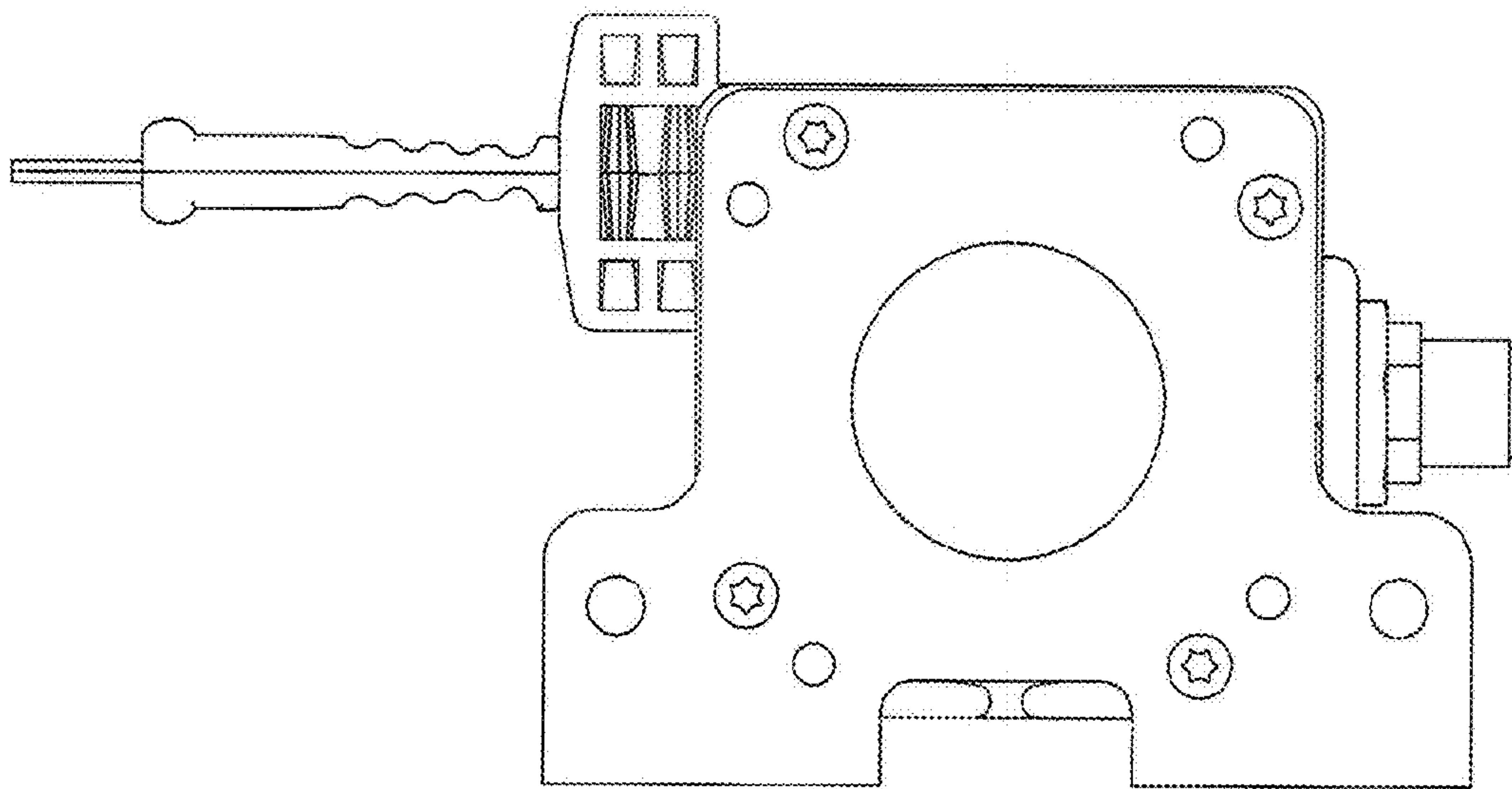


Figure 20

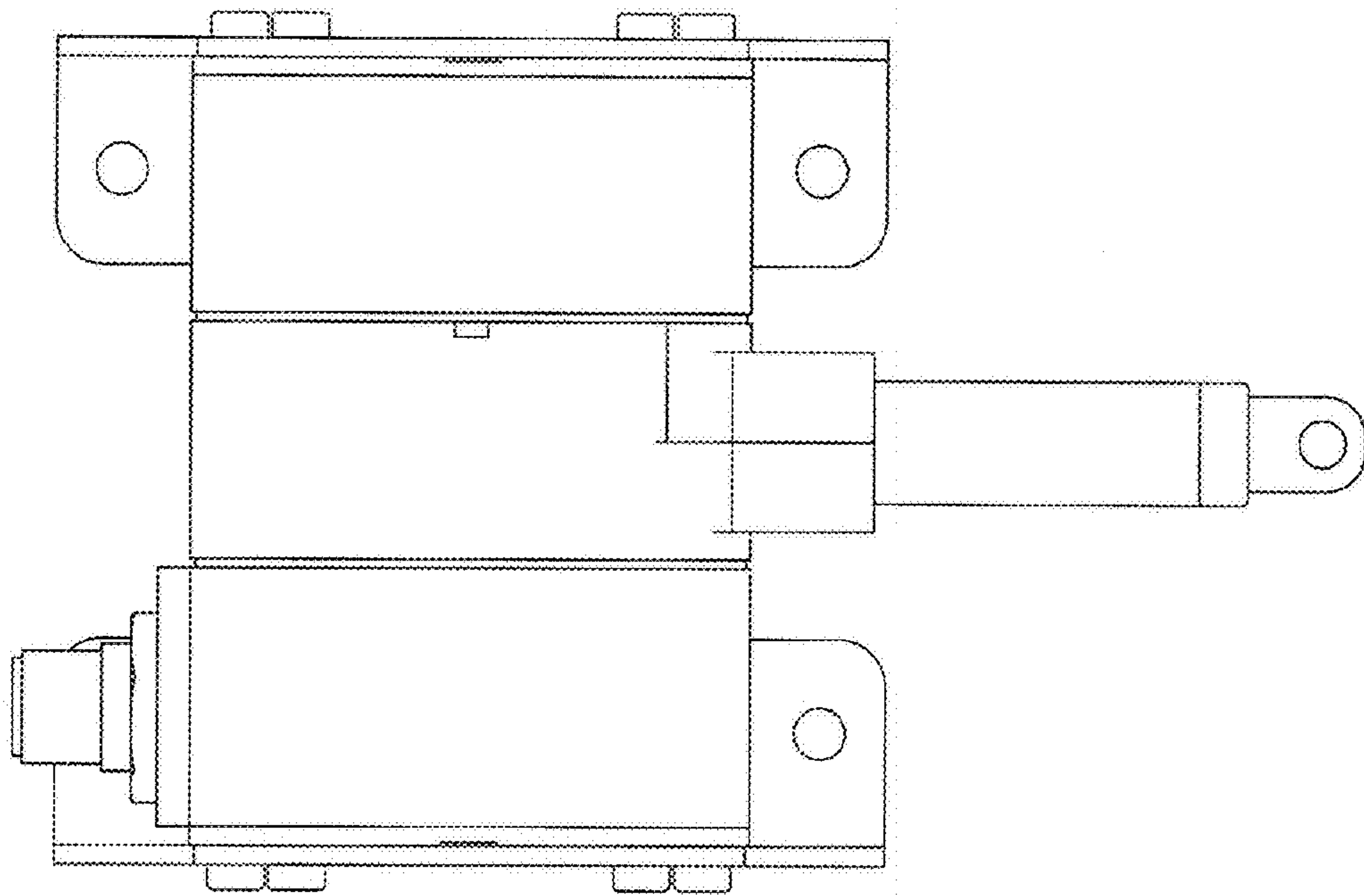


Figure 21