



US00D684870S

(12) **United States Design Patent**
Jones et al.

(10) **Patent No.:** **US D684,870 S**
(45) **Date of Patent:** **** Jun. 25, 2013**

(54) **PARKING METER MECHANISM**

2,618,371 A 11/1952 Broussard
2,633,960 A 4/1953 Broussard
D181,359 S * 11/1957 Jones D10/42

(75) Inventors: **Gavin Jones**, Carlsbad, CA (US); **Balu Subramanya**, Darnestown, MD (US); **Ryan Vincent**, Solana Beach, CA (US)

(Continued)

(73) Assignee: **Duncan Solutions, Inc.**, Milwaukee, WI (US)

U.S. Appl. No. 13/468,859, filed May 10, 2012, Jones et al.

(Continued)

(**) Term: **14 Years**

Primary Examiner — Lucy Lieberman

(21) Appl. No.: **29/417,613**

(74) *Attorney, Agent, or Firm* — Reinhart Boerner Van Deuren s.c.

(22) Filed: **Apr. 5, 2012**

Related U.S. Application Data

(62) Division of application No. 29/391,569, filed on May 10, 2011, now Pat. No. Des. 659,557.

(51) **LOC (9) Cl.** **10-03**

(52) **U.S. Cl.**
USPC **D10/42**

(58) **Field of Classification Search**
USPC D10/42; 368/90, 92; 194/900, 902, 194/204, 205, 210, 211, 217
See application file for complete search history.

(56) **References Cited**

U.S. PATENT DOCUMENTS

D100,875 S *	8/1936	Michaels	D10/42
2,483,805 A	10/1949	Broussard et al.		
2,495,784 A	1/1950	Starts		
2,550,433 A	4/1951	Tichenor		
2,594,388 A	4/1952	Broussard		
D166,753 S *	5/1952	Jones	D10/42
2,596,122 A	5/1952	Broussard		
2,596,123 A	5/1952	Broussard		
2,596,124 A	5/1952	Broussard		
2,613,792 A	10/1952	Broussard et al.		
2,613,871 A	10/1952	Broussard et al.		

OTHER PUBLICATIONS

(57) **CLAIM**

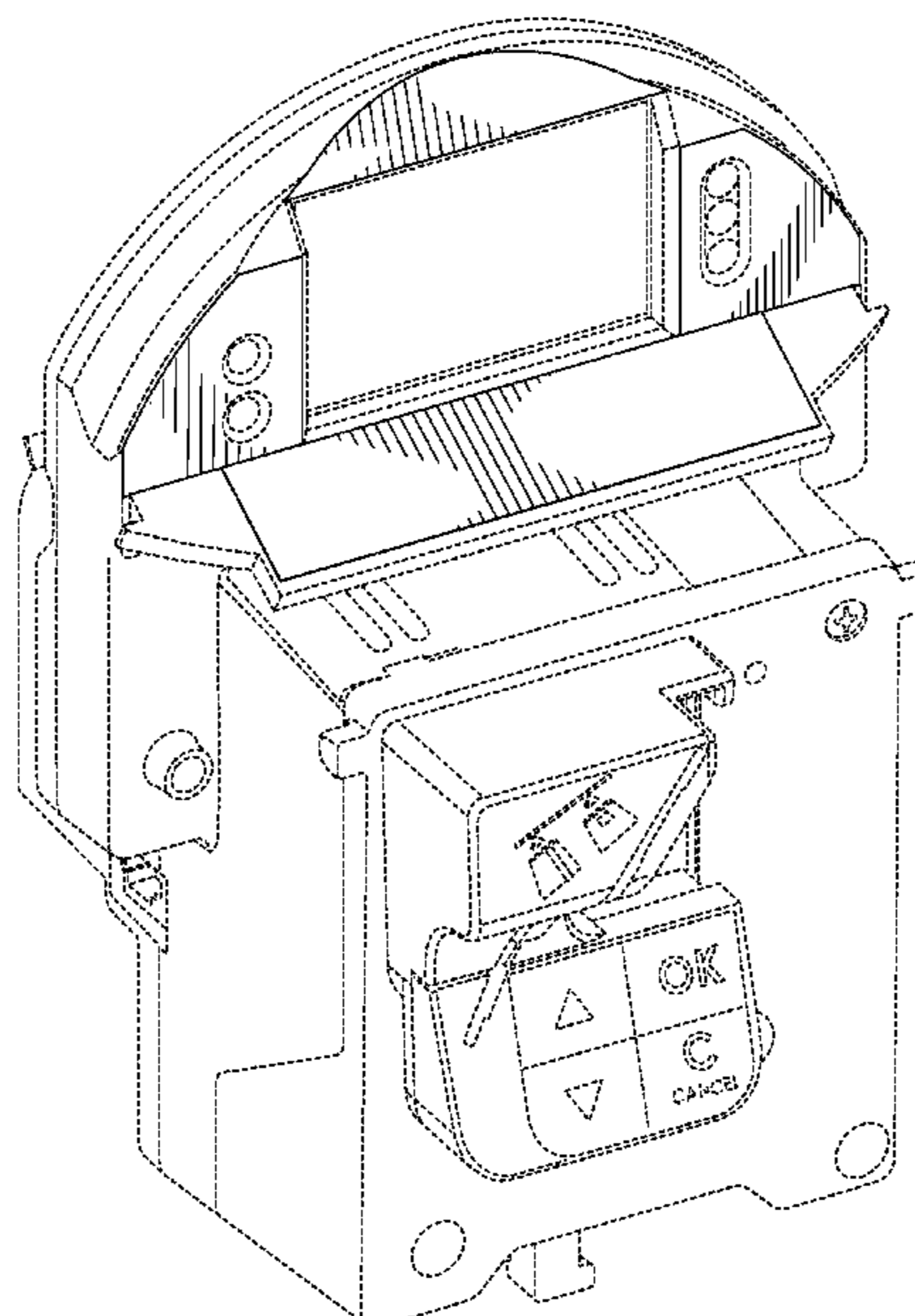
We claim the ornamental design for a parking meter mechanism, as shown and described.

DESCRIPTION

FIG. 1 is a first perspective view from above of the claimed design;
FIG. 2 is a front view of the claimed design of FIG. 1;
FIG. 3 is a right side view of the claimed design of FIG. 1;
FIG. 4 is a rear view of the claimed design of FIG. 1;
FIG. 5 is a left side view of the claimed design of FIG. 1;
FIG. 6 is a top view of the claimed design of FIG. 1;
FIG. 7 is a bottom view of the claimed design of FIG. 1;
FIG. 8 is a second perspective view from above of the claimed design of FIG. 1; and,
FIG. 9 is a perspective view from below of the claimed design of FIG. 1.

The ornamental design which is claimed is shown in solid lines in the drawings. The broken lines in the drawings are for illustrative purposes only and form no part of the claimed design.

1 Claim, 9 Drawing Sheets



US D684,870 S

Page 2

U.S. PATENT DOCUMENTS

D200,216	S *	2/1965	Broussard	D10/42
3,199,321	A	8/1965	Sollenberger		
3,204,438	A	9/1965	Sollenberger		
3,262,540	A	7/1966	Sollenberger et al.		
3,272,299	A	9/1966	Sollenberger		
3,438,031	A	4/1969	Fathauer		
3,486,324	A *	12/1969	Andersson	368/90
3,519,113	A	7/1970	Arzig et al.		
3,565,283	A	2/1971	Sciacero et al.		
3,999,372	A *	12/1976	Welch et al.	368/6
4,248,336	A *	2/1981	Fiedler	194/350
4,880,406	A	11/1989	Van Horn et al.		
5,060,777	A	10/1991	Van Horn et al.		
5,088,073	A *	2/1992	Speas	368/90
5,109,972	A	5/1992	Van Horn et al.		
5,119,916	A	6/1992	Carmen et al.		
5,155,614	A	10/1992	Carmen et al.		
5,184,707	A	2/1993	Van Horn et al.		
5,244,070	A	9/1993	Carmen et al.		
5,273,151	A	12/1993	Carmen et al.		
5,382,780	A	1/1995	Carmen		
5,526,662	A	6/1996	Diekhoff et al.		
5,617,942	A *	4/1997	Ward et al.	194/217
5,642,119	A *	6/1997	Jacobs	342/69
5,710,743	A *	1/1998	Dee et al.	368/90
5,732,812	A *	3/1998	Grainger et al.	194/217
5,805,083	A	9/1998	Sutton et al.		
5,806,651	A	9/1998	Carmen et al.		
5,841,369	A	11/1998	Sutton et al.		
5,852,411	A *	12/1998	Jacobs et al.	340/932.2
5,903,520	A *	5/1999	Dee et al.	368/90
5,966,345	A *	10/1999	Dee et al.	368/90
6,098,361	A *	8/2000	Roten et al.	52/298
6,109,418	A *	8/2000	Yost	194/350
6,111,522	A	8/2000	Hiltz et al.		
D431,788	S	10/2000	Tuxen et al.		
RE37,193	E *	5/2001	Ward et al.	194/217
6,229,455	B1 *	5/2001	Yost et al.	340/943
6,230,868	B1	5/2001	Tuxen et al.		
6,309,098	B1	10/2001	Wong		

6,312,152	B2	11/2001	Dee et al.		
6,354,425	B1	3/2002	Tuxen et al.		
D461,728	S	8/2002	Tuxen et al.		
6,747,575	B2 *	6/2004	Chauvin et al.	340/932.2
6,874,340	B1	4/2005	Berman		
6,889,899	B2	5/2005	Silberberg		
7,237,176	B2	6/2007	Briggs et al.		
D575,168	S	8/2008	King et al.		
D587,141	S	2/2009	King et al.		
7,617,120	B2	11/2009	Derasmo et al.		
7,806,248	B2	10/2010	Hunter et al.		
7,825,826	B2	11/2010	Welch		
7,854,310	B2	12/2010	King et al.		
D659,557	S	5/2012	Jones et al.		
8,193,540	B2	6/2012	Huang et al.		
2009/0026842	A1	1/2009	Hunter et al.		
2009/0095593	A1	4/2009	King et al.		
2009/0159674	A1	6/2009	King et al.		
2009/0183966	A1	7/2009	King et al.		
2009/0192950	A1	7/2009	King et al.		
2011/0057815	A1	3/2011	King et al.		
2011/0060653	A1	3/2011	King et al.		

OTHER PUBLICATIONS

U.S. Appl. No. 13/468,867, filed May 10, 2012, Jones et al.
 U.S. Appl. No. 13/468,873, filed May 10, 2012, Jones et al.
 U.S. Appl. No. 13/468,876, filed May 10, 2012, Jones et al.
 U.S. Appl. No. 13/468,881, filed May 10, 2012, Jones et al.
 PCT/US2012/037205, May 10, 2012, Jones et al.
 U.S. Appl. No. 13/551,181, filed Jul. 17, 2012, Jones et al.
 U.S. Appl. No. 29/427,620, filed Jul. 20, 2012, Jones et al.
 Duncan Solutions, Eagle CK Single-Space Meter Mechanism Brochure, believed to be commercially available before May 10, 2010, 2 pages.
 Duncan Solutions, Eagle 2100 Single-Space Meter Mechanism Brochure, believed to be commercially available before May 10, 2010, 2 pages.

* cited by examiner

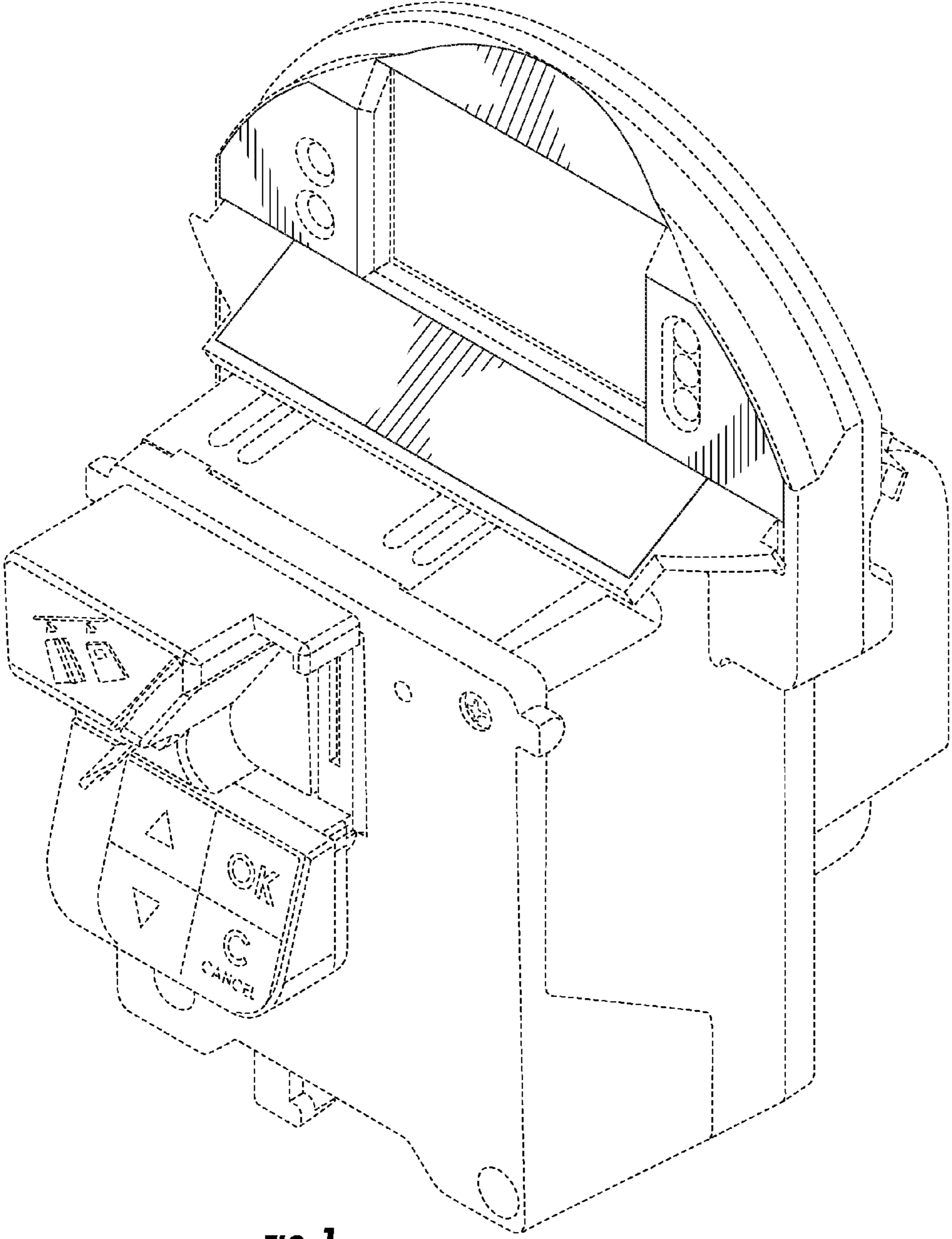


FIG. 1

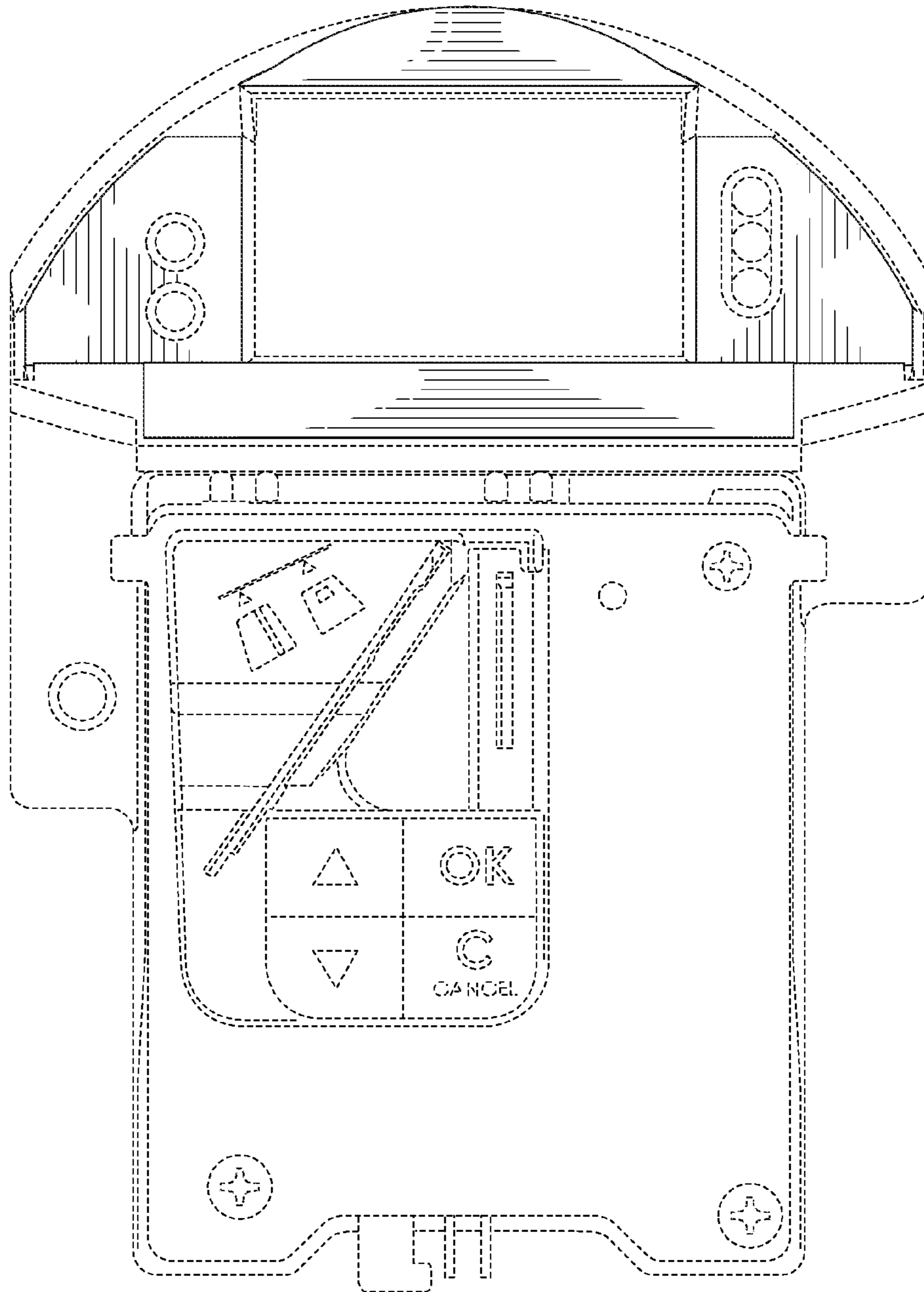


FIG. 2

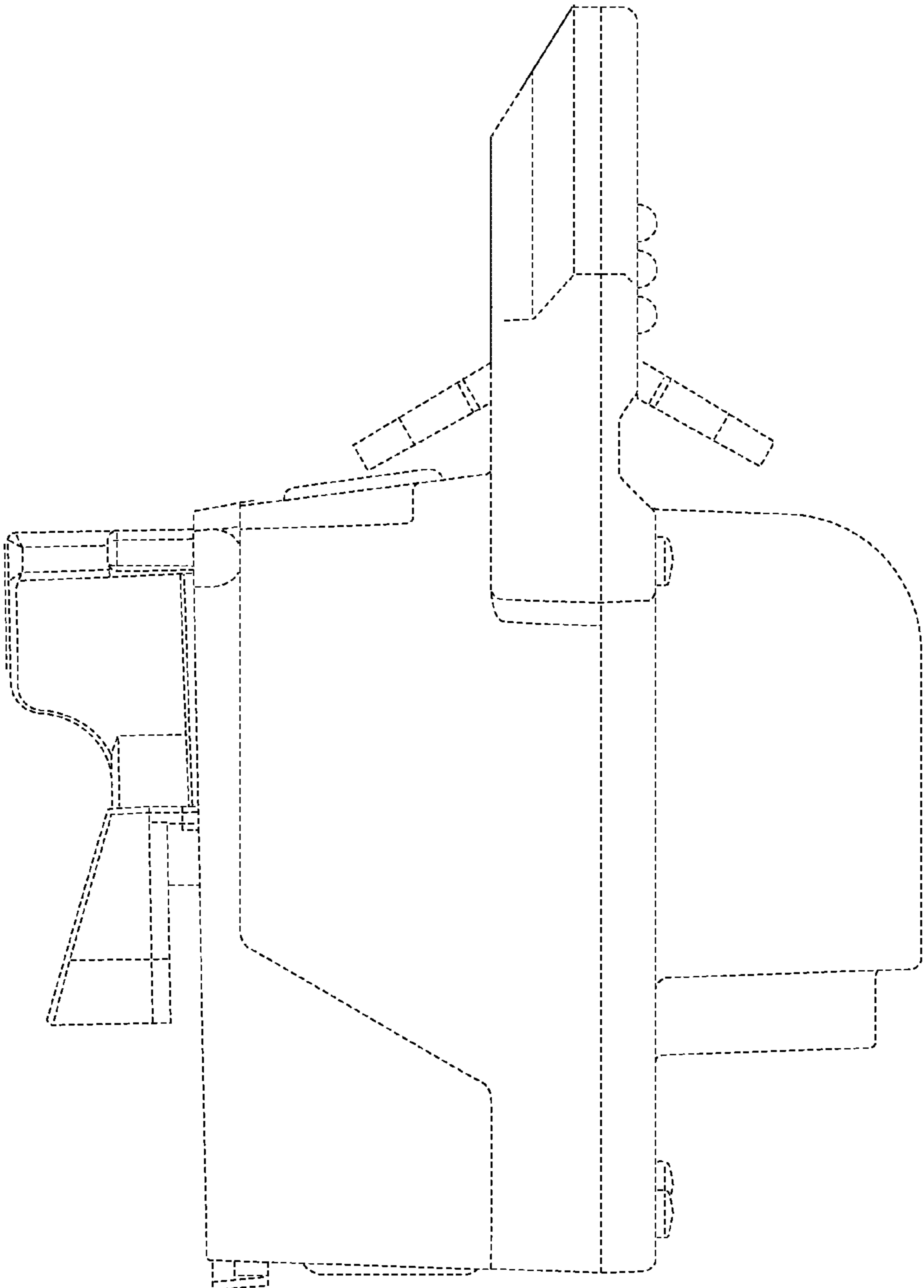


FIG. 3

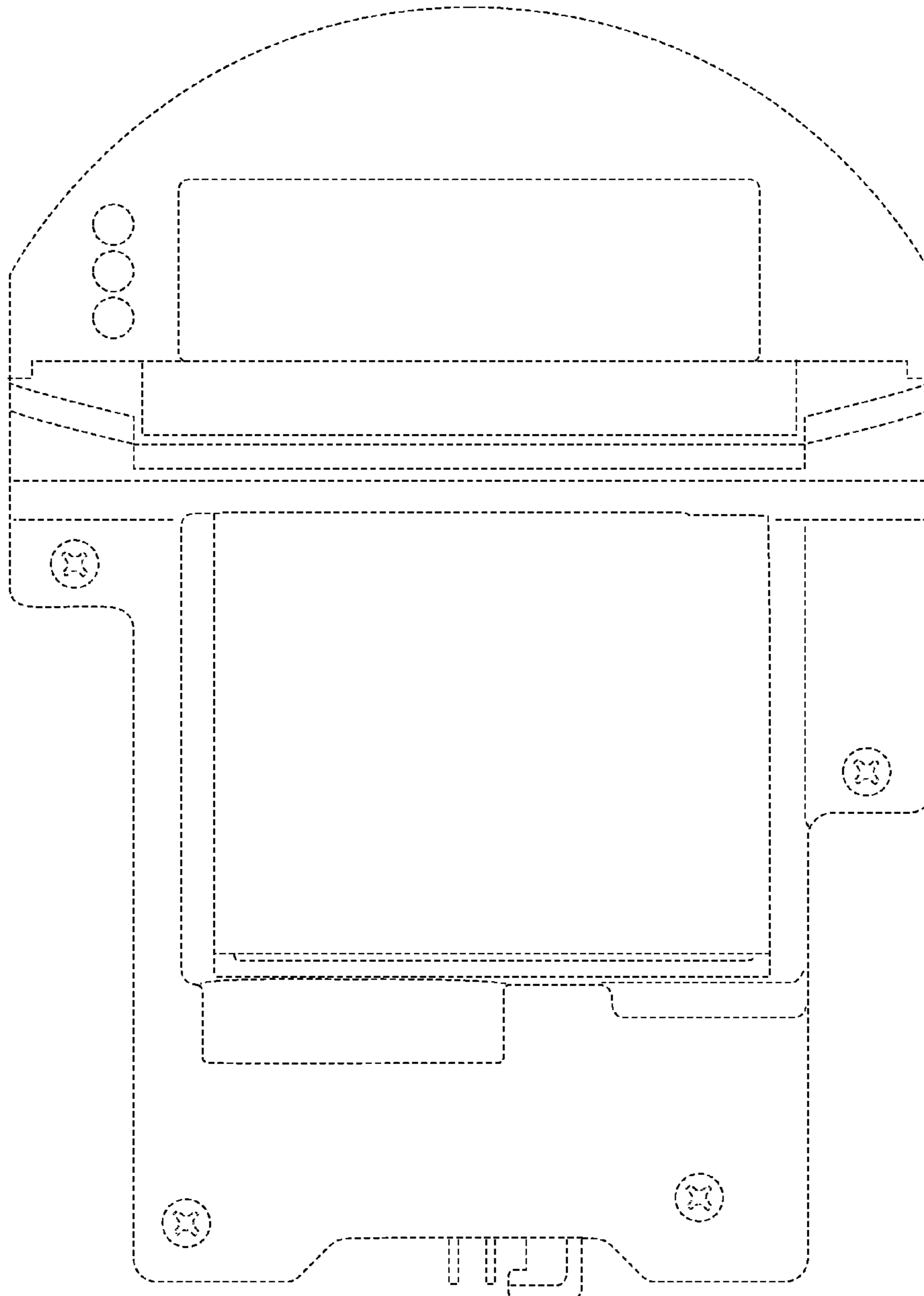


FIG. 4

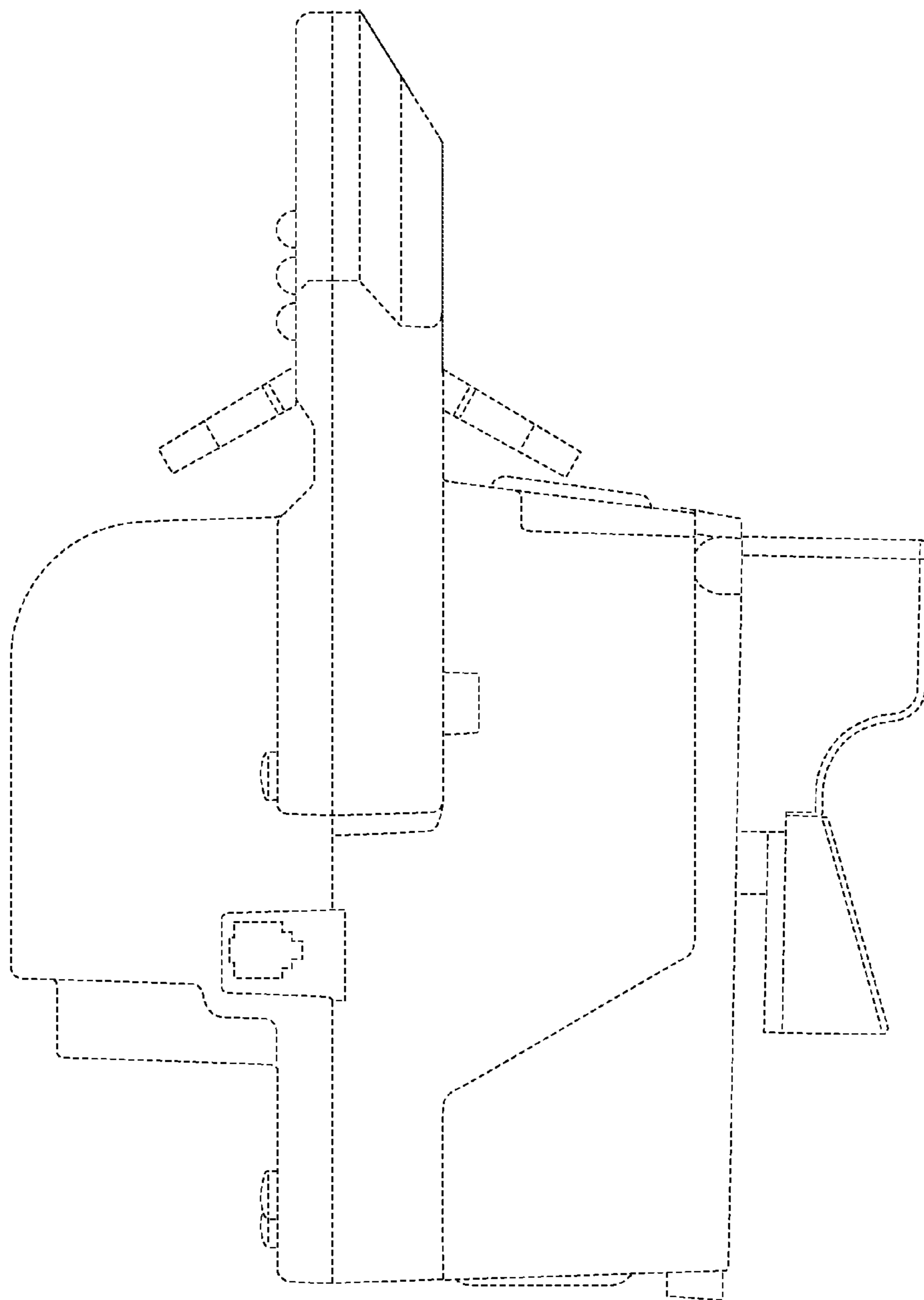


FIG. 5

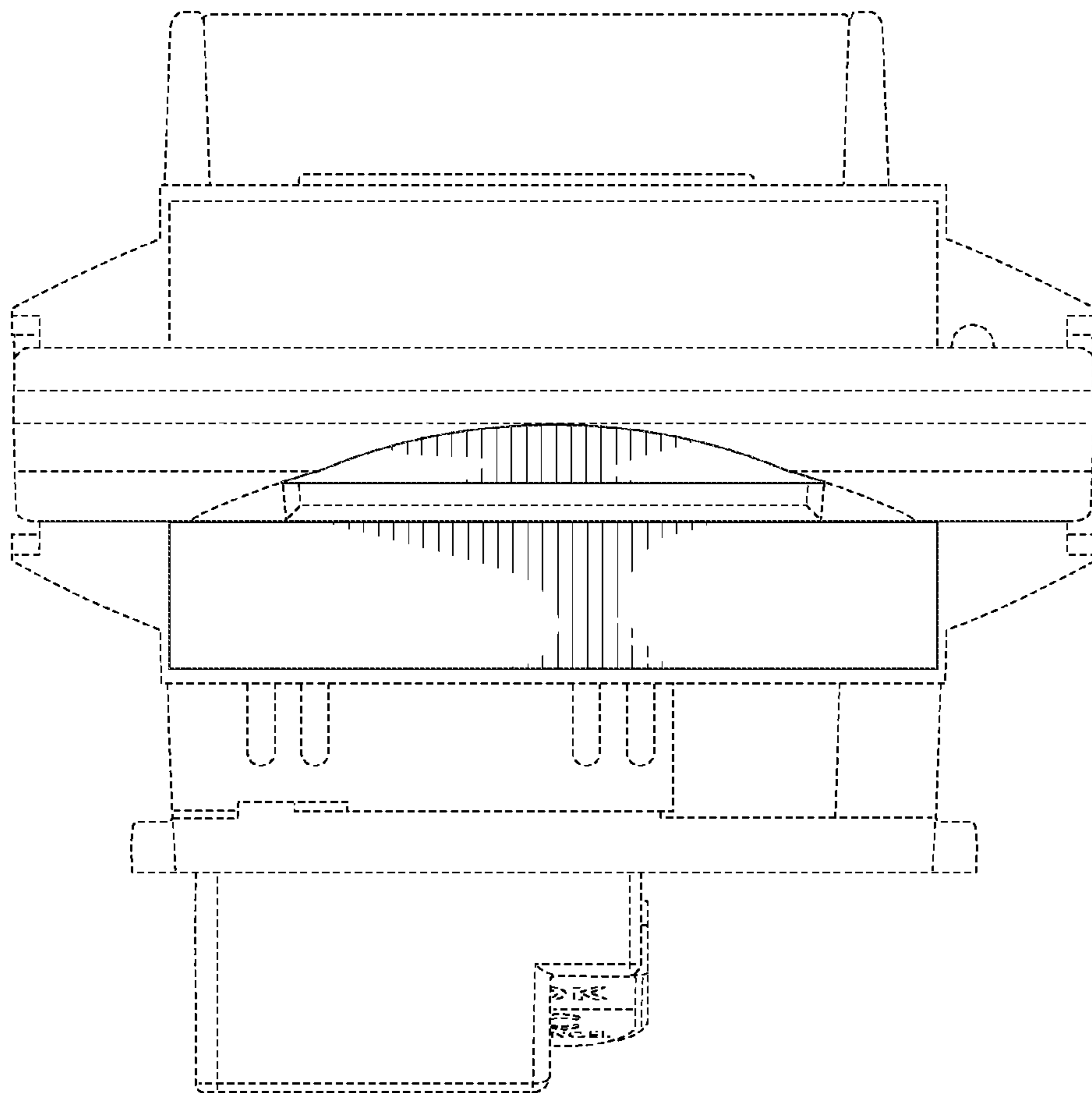


FIG. 6

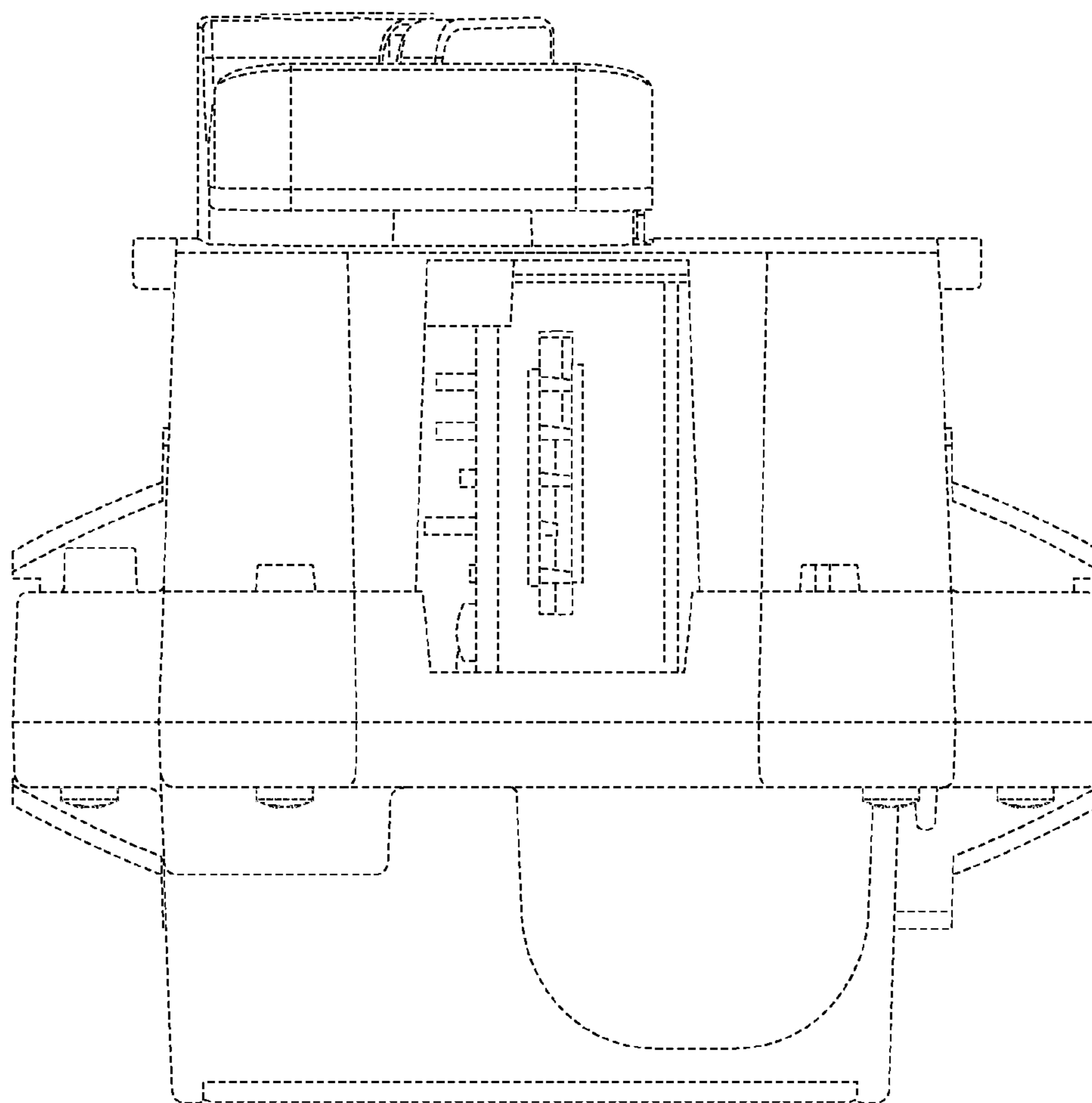


FIG. 7

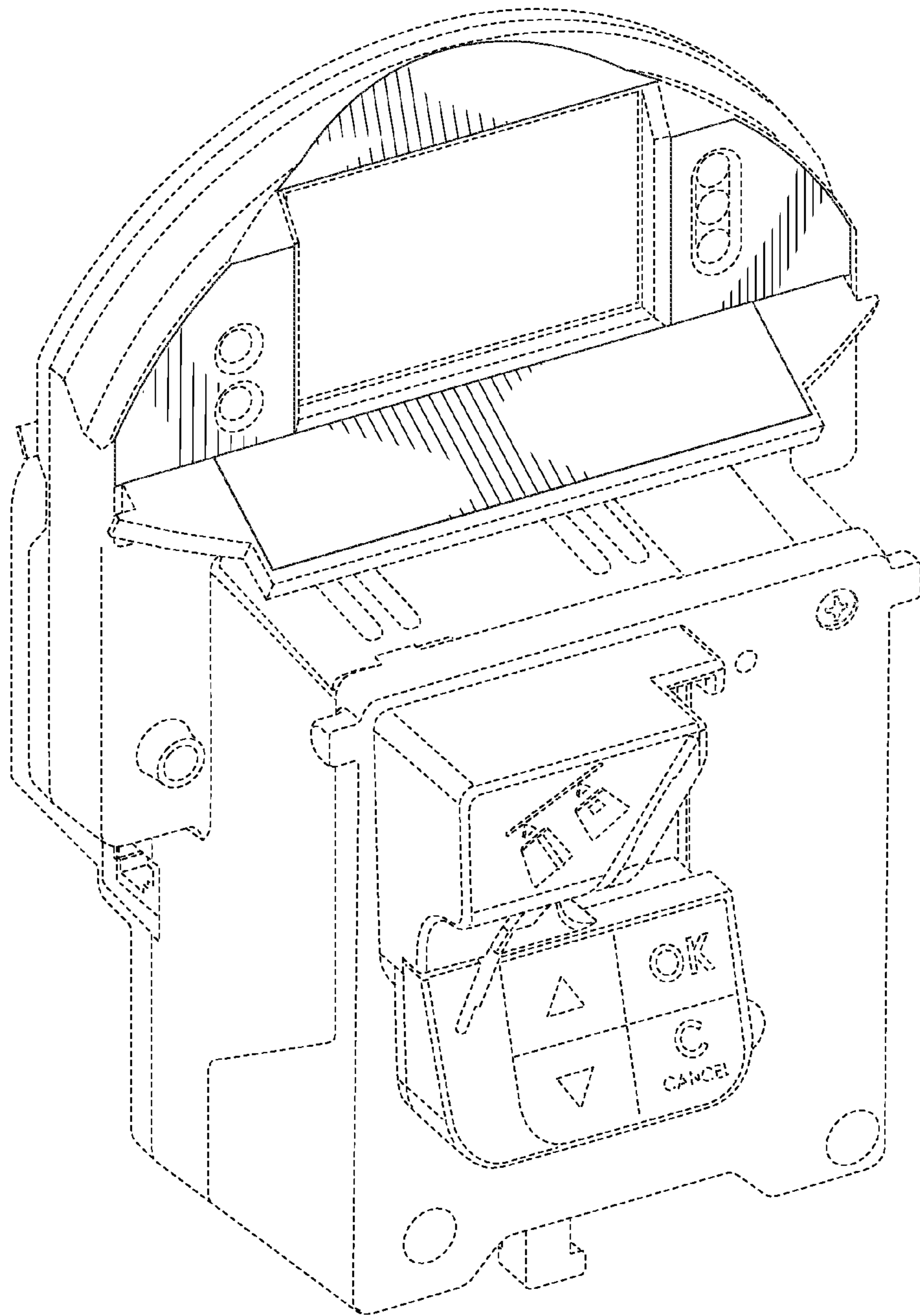


FIG. 8

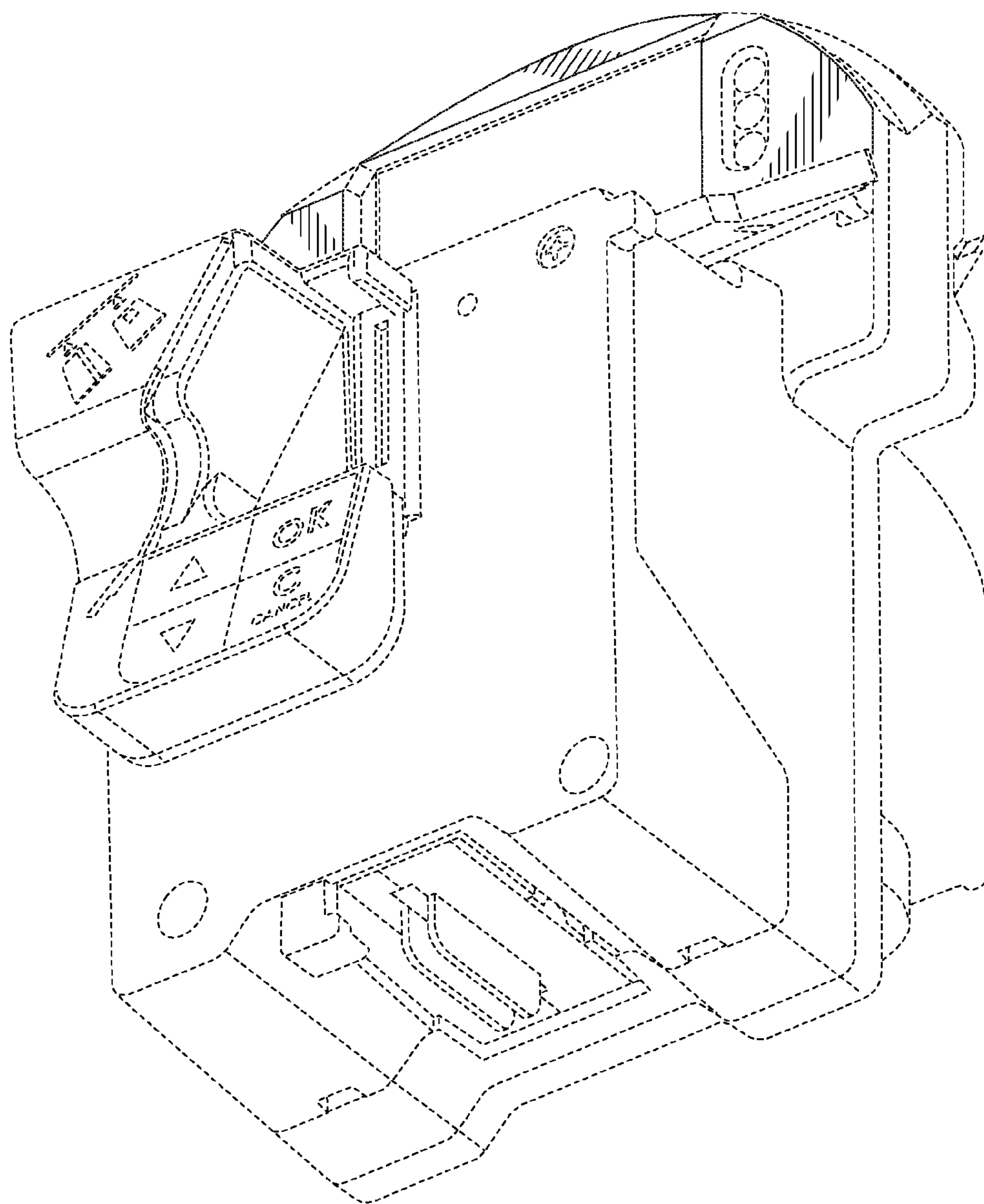


FIG. 9