



US00D684869S

(12) **United States Design Patent**
Pellaud et al.

(10) **Patent No.:** **US D684,869 S**
(45) **Date of Patent:** **** *Jun. 25, 2013**

(54) **SHAPED BEVERAGE CAN**

(75) Inventors: **Jerome Pellaud**, New Rochelle, NY (US); **Patrick O’Riordan**, New York, NY (US); **Lee Crossley**, Warwick (GB); **Jonathan Stewart**, Warwick (GB); **Peter Kay**, Warwick (GB)

(73) Assignee: **Anheuser-Busch, LLC**, St. Louis, MO (US)

(*) Notice: This patent is subject to a terminal disclaimer.

(**) Term: **14 Years**

(21) Appl. No.: **29/417,275**

(22) Filed: **Apr. 2, 2012**

(51) **LOC (9) Cl.** **09-01**

(52) **U.S. Cl.**
USPC **D9/776**

(58) **Field of Classification Search**
USPC D9/438, 440, 500, 502, 516, 530,
D9/537, 539, 540, 552, 554, 556–558, 763–783;
215/381–385; 220/660, 662, 669
See application file for complete search history.

(56) **References Cited**

U.S. PATENT DOCUMENTS

D524,160	S	*	7/2006	Endou et al.	D9/518
D588,936	S	*	3/2009	Ioannides et al.	D9/776
D631,759	S	*	2/2011	Diss et al.	D9/774
D653,966	S	*	2/2012	Kohara et al.	D9/774
D671,005	S	*	11/2012	Prathummek	D9/502
2007/0045218	A1	*	3/2007	Afandyan	215/255

* cited by examiner

Primary Examiner — Keli L Hill

(74) *Attorney, Agent, or Firm* — Gardere Wynne Sewell LLP

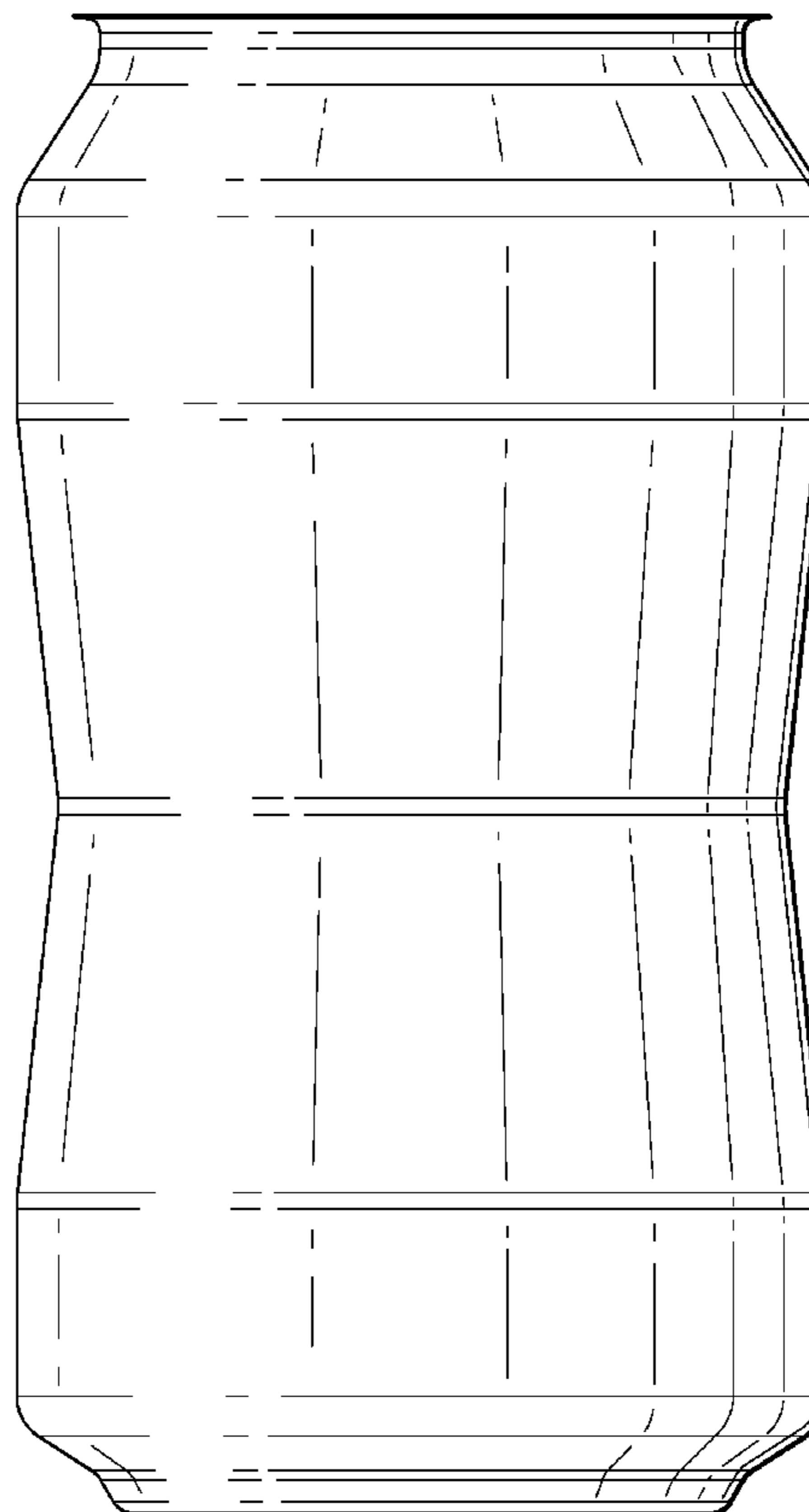
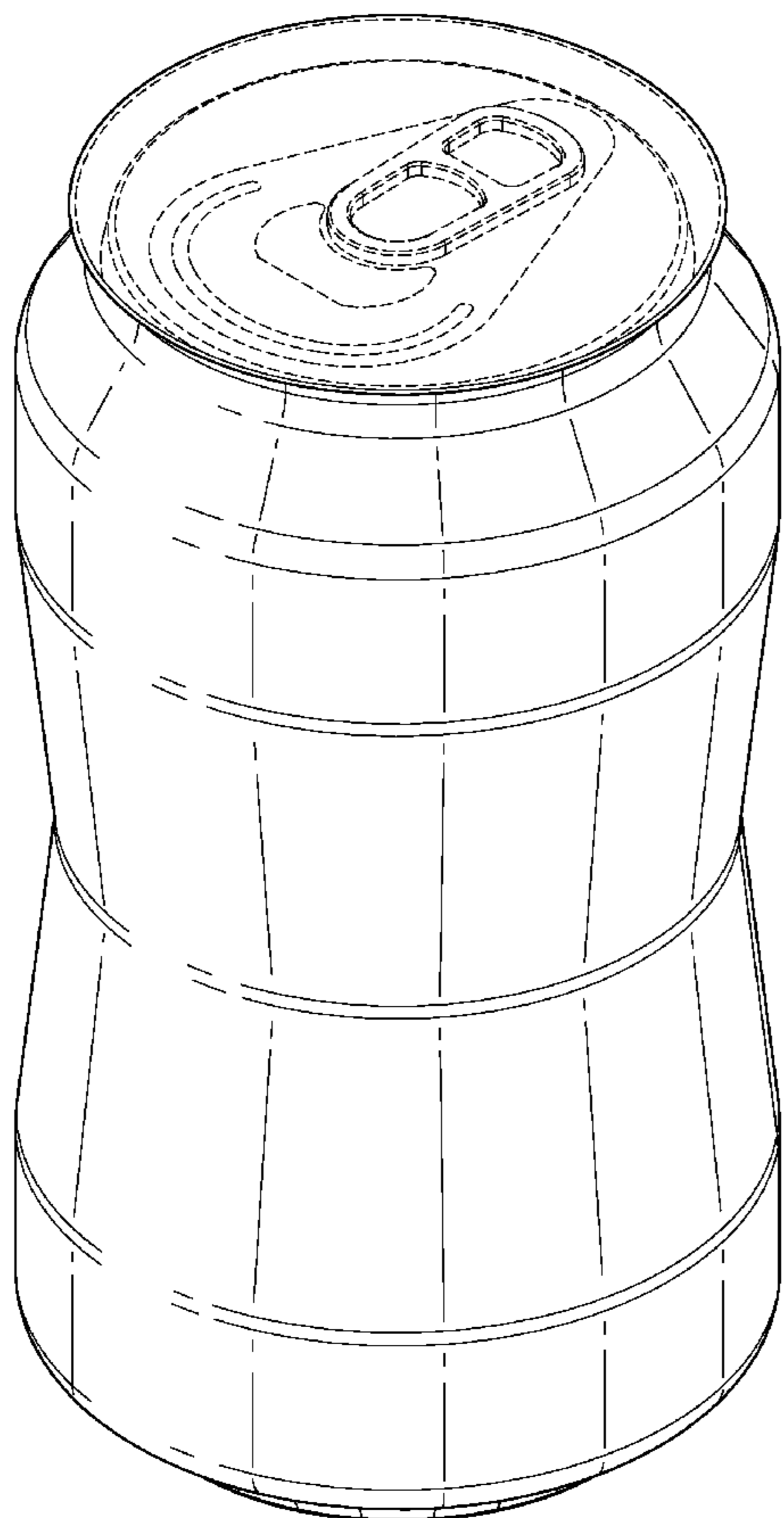
(57) **CLAIM**

The ornamental design for a shaped beverage can, as shown and described.

DESCRIPTION

FIG. 1 is a perspective view of the top and side of a shaped beverage can in accordance with my design;
FIG. 2 is a side view thereof;
FIG. 3 is a top view thereof; and,
FIG. 4 is a bottom view thereof.
The broken lines shown are included for the purpose of illustrating the unclaimed portions of the article and form no part of the claim.

1 Claim, 3 Drawing Sheets



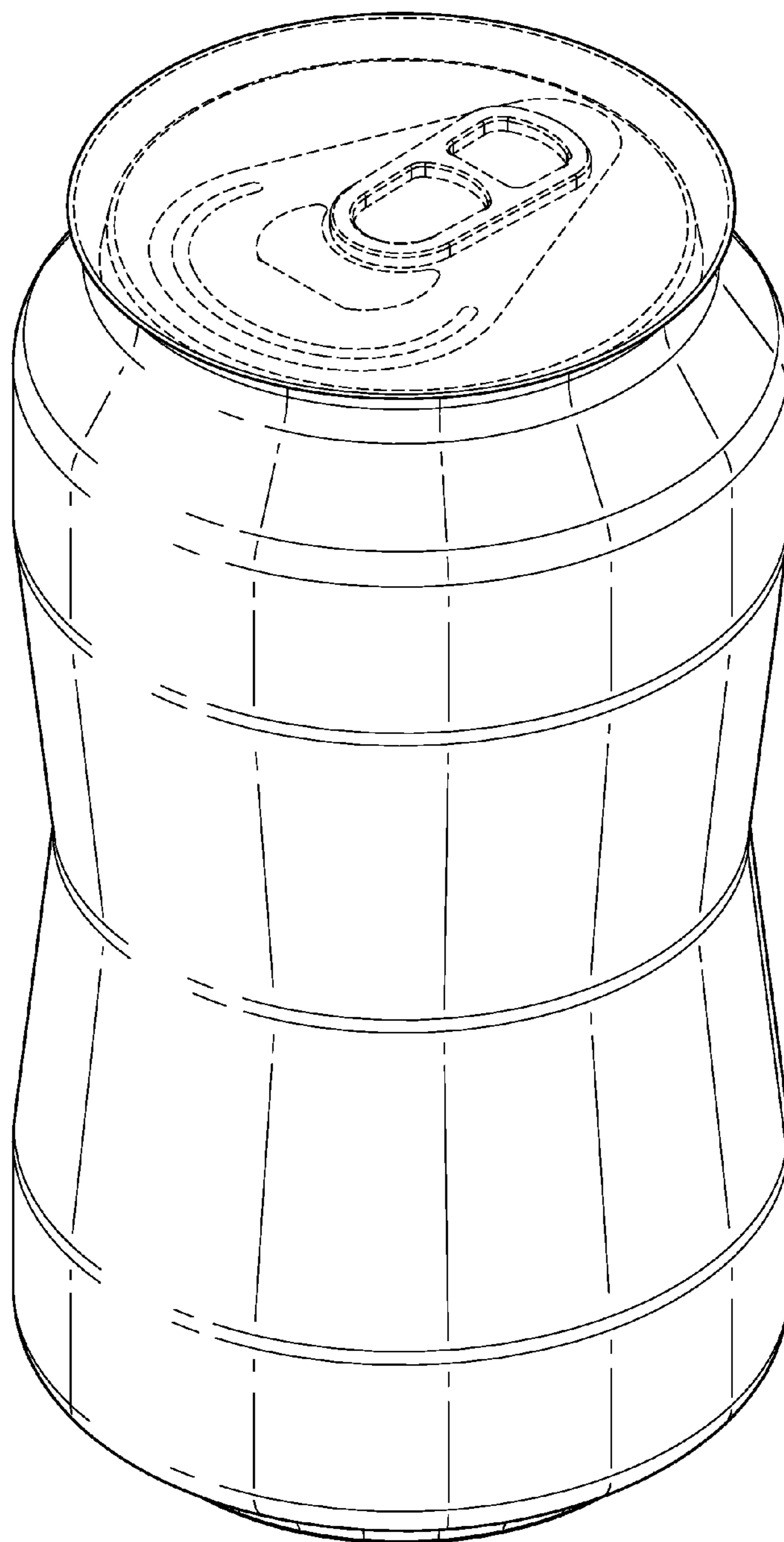


FIG. 1

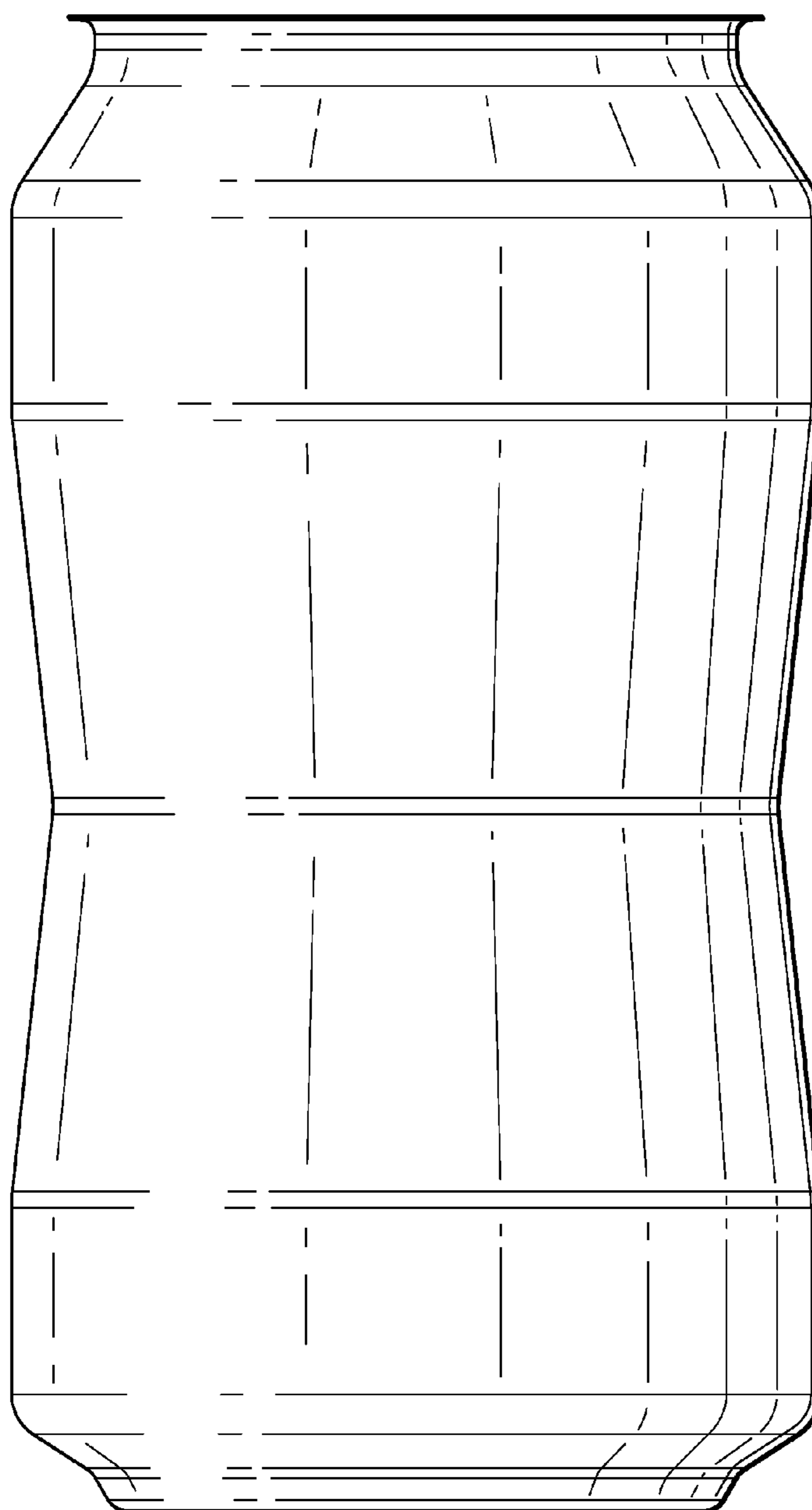


FIG. 2

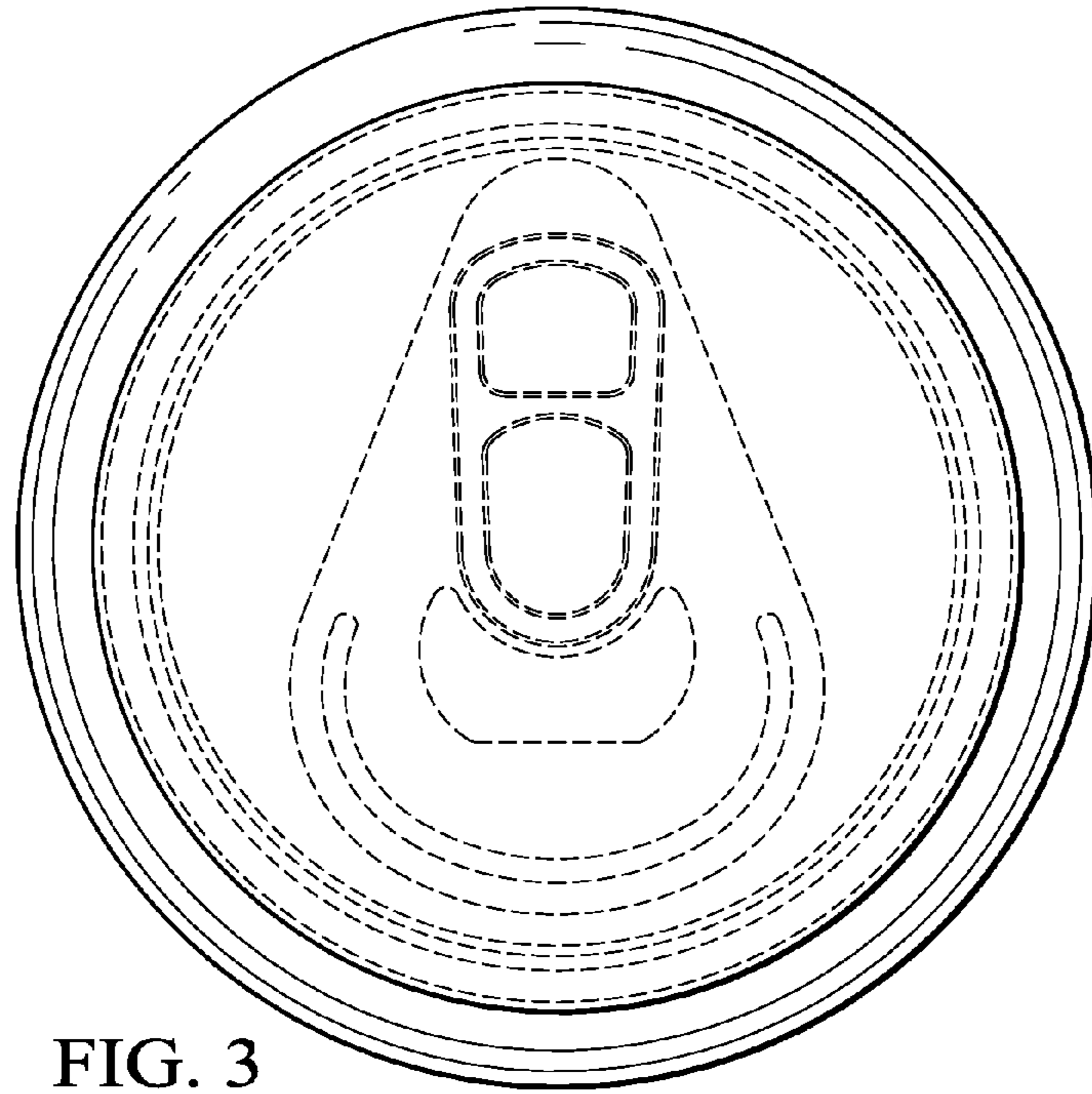


FIG. 3

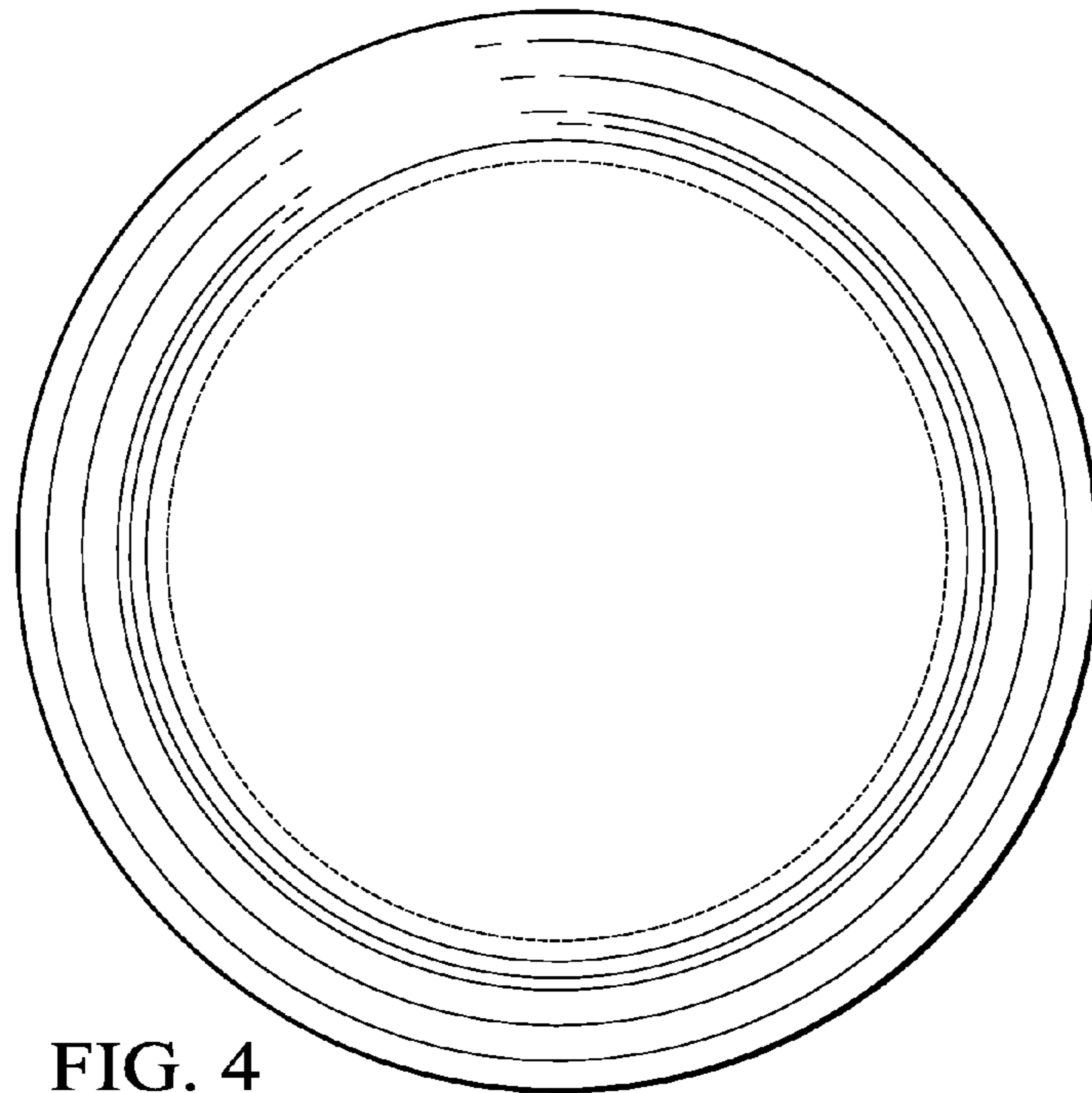


FIG. 4