



US00D684863S

(12) **United States Design Patent**
Snyder

(10) **Patent No.:** **US D684,863 S**
(45) **Date of Patent:** **** Jun. 25, 2013**

(54) **BOTTLE**

(75) **Inventor:** **David A. Snyder**, West Chicago, IL (US)

(73) **Assignee:** **TricorBraun Inc.**, St. Louis, MO (US)

(**) **Term:** **14 Years**

(21) **Appl. No.:** **29/396,587**

(22) **Filed:** **Jul. 1, 2011**

(51) **LOC (9) Cl.** **09-01**

(52) **U.S. Cl.**

USPC **D9/522**; D9/530; D9/565; D9/454

(58) **Field of Classification Search**

USPC D9/682, 687, 690–694, 516, 522,
D9/529–530, 541–544, 546, 552, 565, 574–575,
D9/447, 449; 215/381–385

See application file for complete search history.

(56) **References Cited**

U.S. PATENT DOCUMENTS

D278,973 S *	5/1985	Harris	D9/690
D372,870 S *	8/1996	Westerhout	D9/575 X
D493,364 S *	7/2004	Papiernik	D9/687
D506,391 S *	6/2005	Busch et al.	D9/522
D506,392 S *	6/2005	Dedancourt	D9/522
D520,374 S *	5/2006	Herrmann et al.	D9/565 X
D531,050 S *	10/2006	Brandt	D9/687
D531,904 S *	11/2006	Sillett et al.	D9/516
D545,682 S *	7/2007	Mongeon et al.	D9/529
D556,586 S *	12/2007	Mongeon et al.	D9/529
D558,578 S *	1/2008	Mongeon et al.	D9/565 X
D601,425 S *	10/2009	Miller et al.	D9/449 X
D611,836 S *	3/2010	Mansau	D9/522 X
D615,410 S *	5/2010	Lett	D9/529 X

D616,305 S *	5/2010	Kuzma et al.	D9/544 X
D619,465 S *	7/2010	Snyder	D9/565 X
D619,466 S *	7/2010	Snyder	D9/575 X
D619,467 S *	7/2010	Bogosyan	D9/529
D623,527 S *	9/2010	Wykoff	D9/522
D632,963 S *	2/2011	Hale et al.	D9/552 X
D641,633 S *	7/2011	Carnduff et al.	D9/449 X
D649,466 S *	11/2011	Oates et al.	D9/529 X
D652,306 S *	1/2012	Drake et al.	D9/447 X
D661,988 S *	6/2012	Praster	D9/522 X
D661,991 S *	6/2012	Brummelhuis et al.	...	D9/574 X
D661,992 S *	6/2012	Brummelhuis et al.	D9/542 XO

* cited by examiner

Primary Examiner — Carol P Rademaker

(74) *Attorney, Agent, or Firm* — H. Frederick Rusche;
Husch Blackwell LLP

(57) **CLAIM**

I claim the ornamental design for a bottle, as shown and described.

DESCRIPTION

FIG. 1 is a top, front, right side perspective view of my new design;

FIG. 2 is a right side elevational view thereof;

FIG. 3 is a left side elevational view thereof;

FIG. 4 is a rear elevational view thereof;

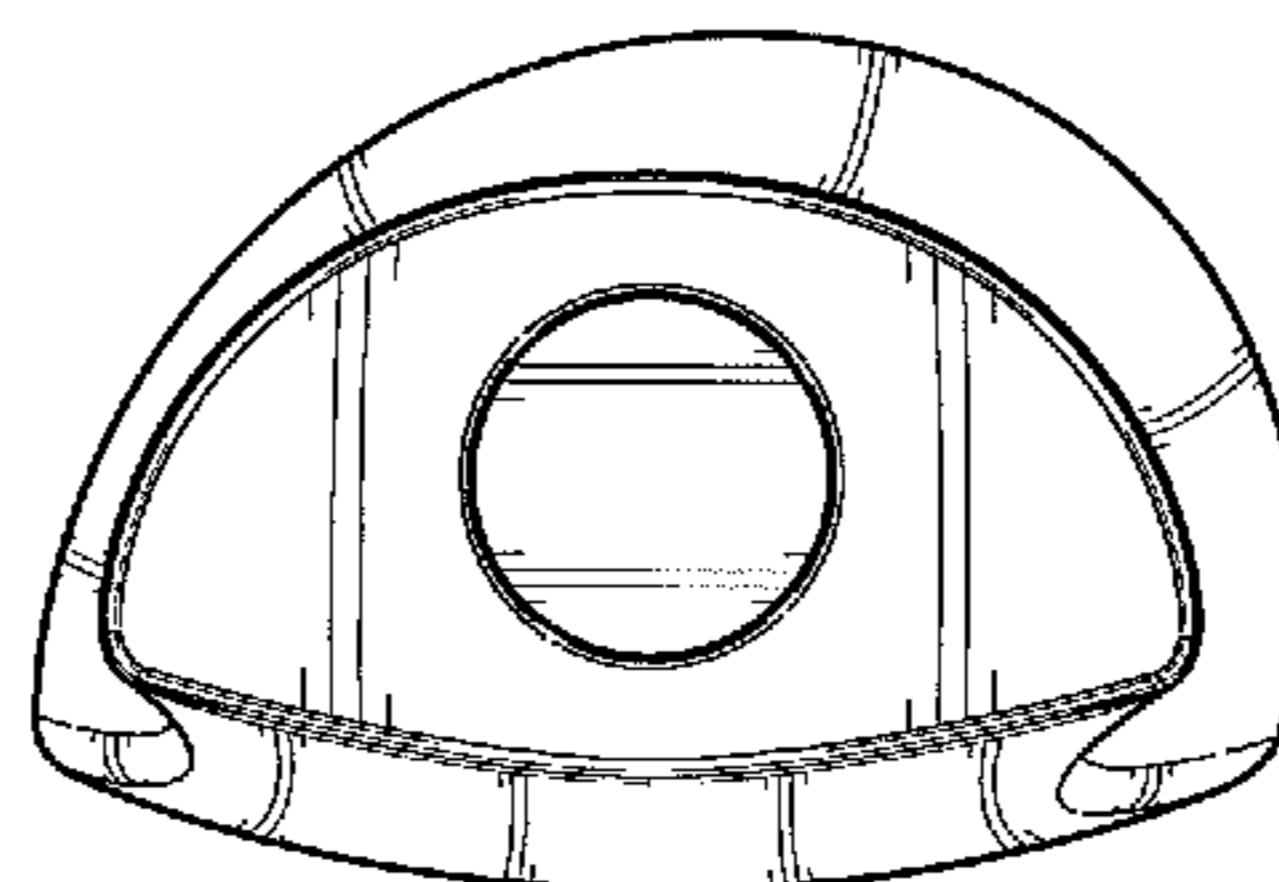
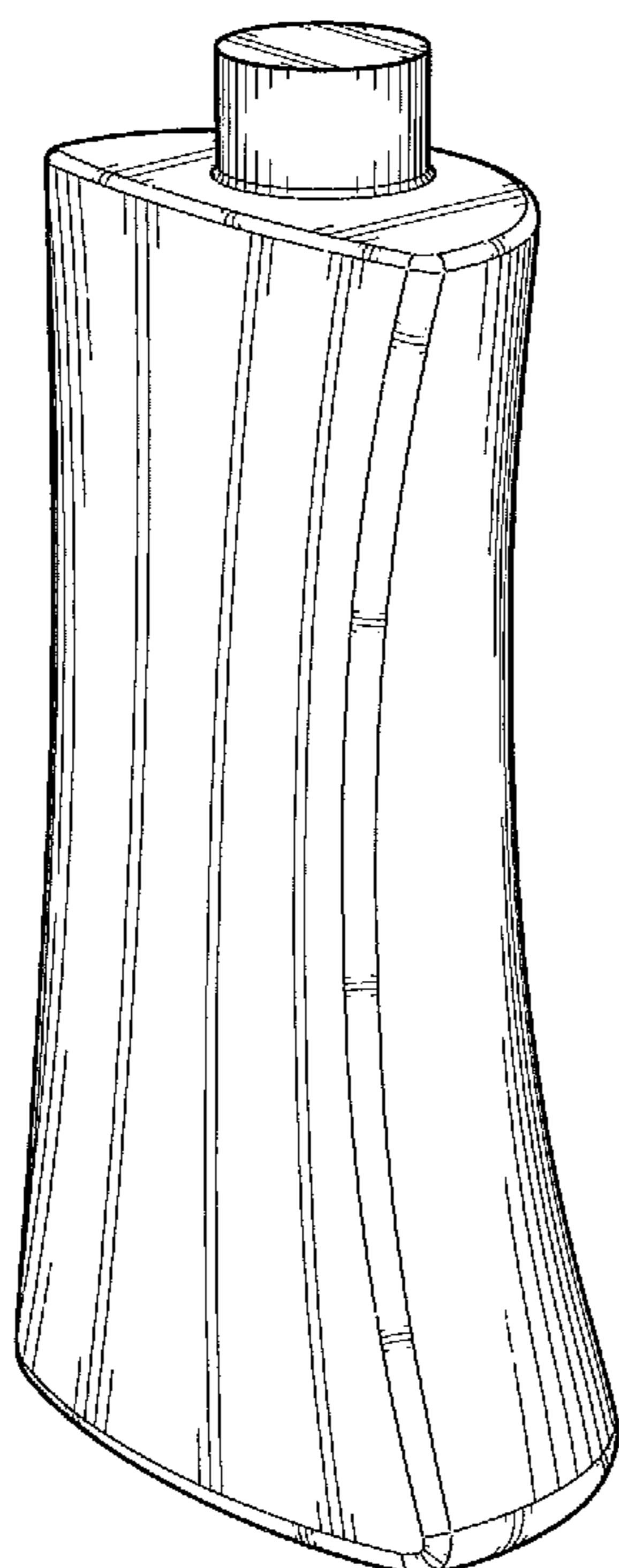
FIG. 5 is front elevational view thereof;

FIG. 6 is a top plan view thereof; and,

FIG. 7 is a bottom plan view thereof.

The broken lines shown in the drawings are included for the purpose of illustrating environmental structure and form no part of the claimed design.

1 Claim, 3 Drawing Sheets



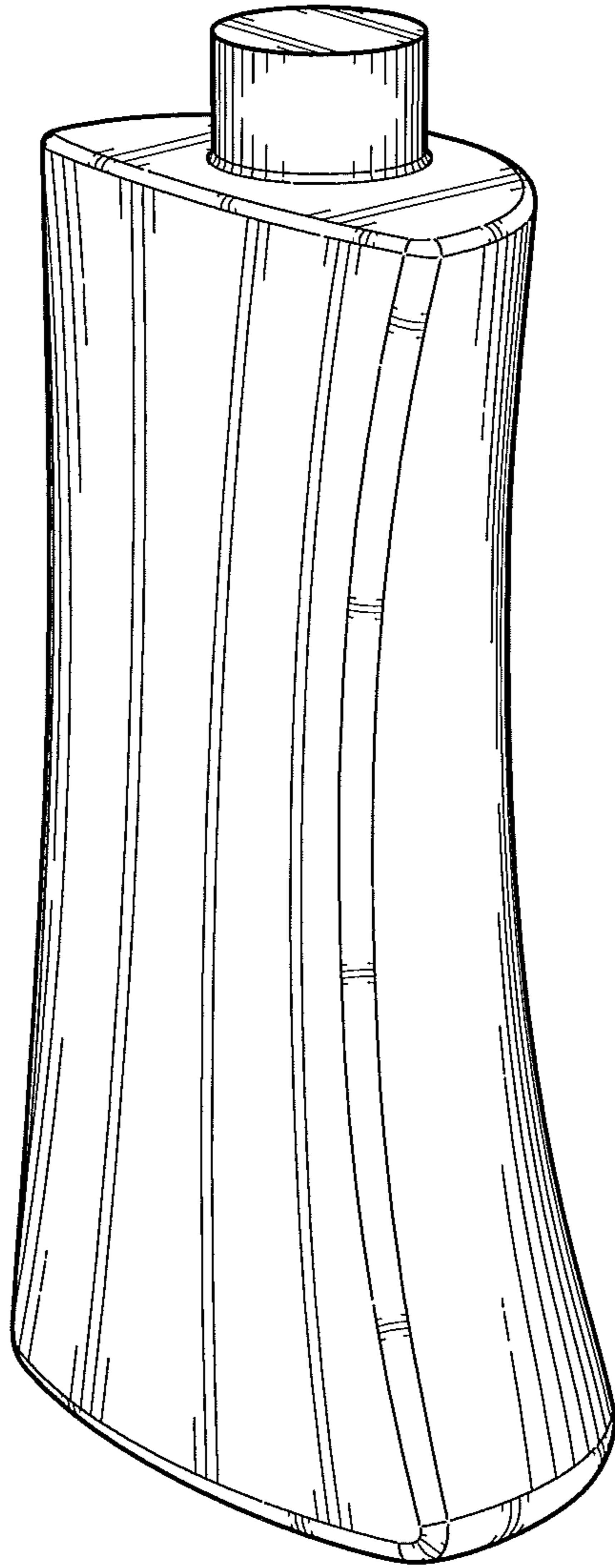


FIG. 1

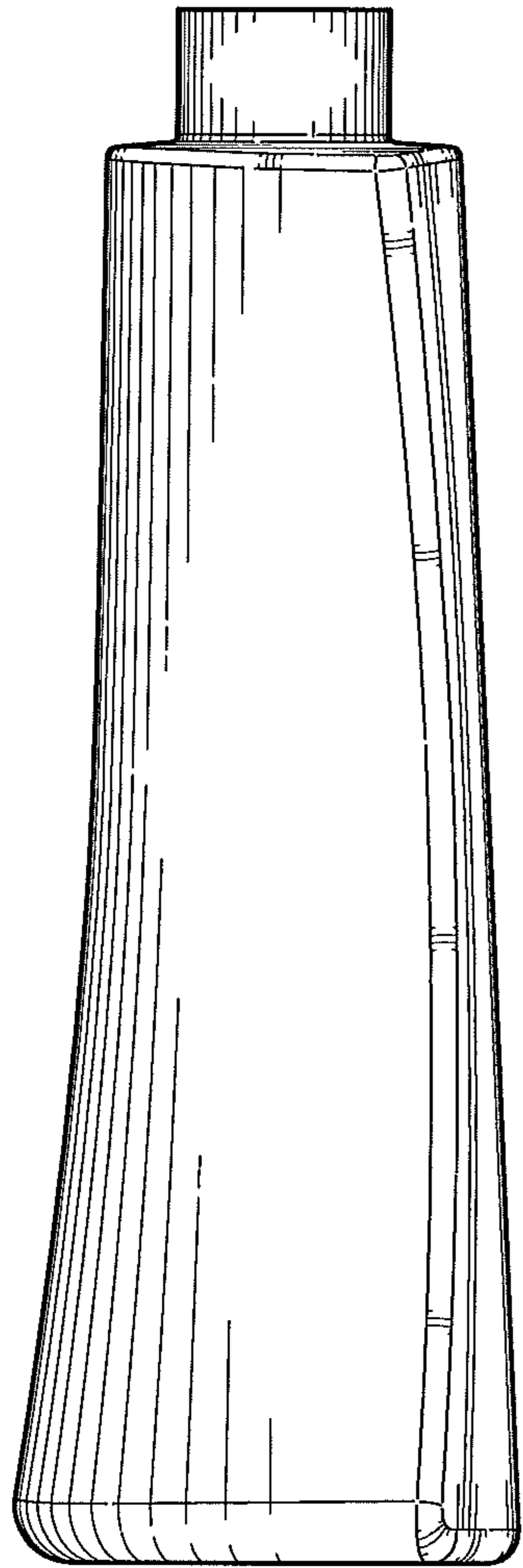


FIG. 2

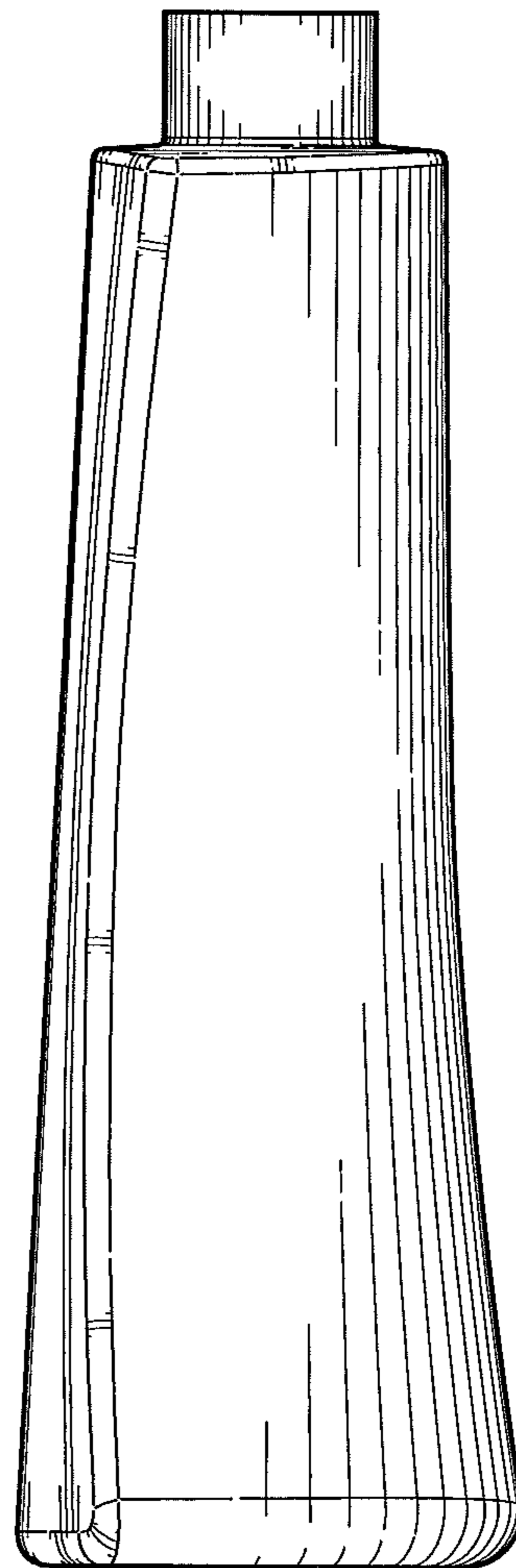


FIG. 3

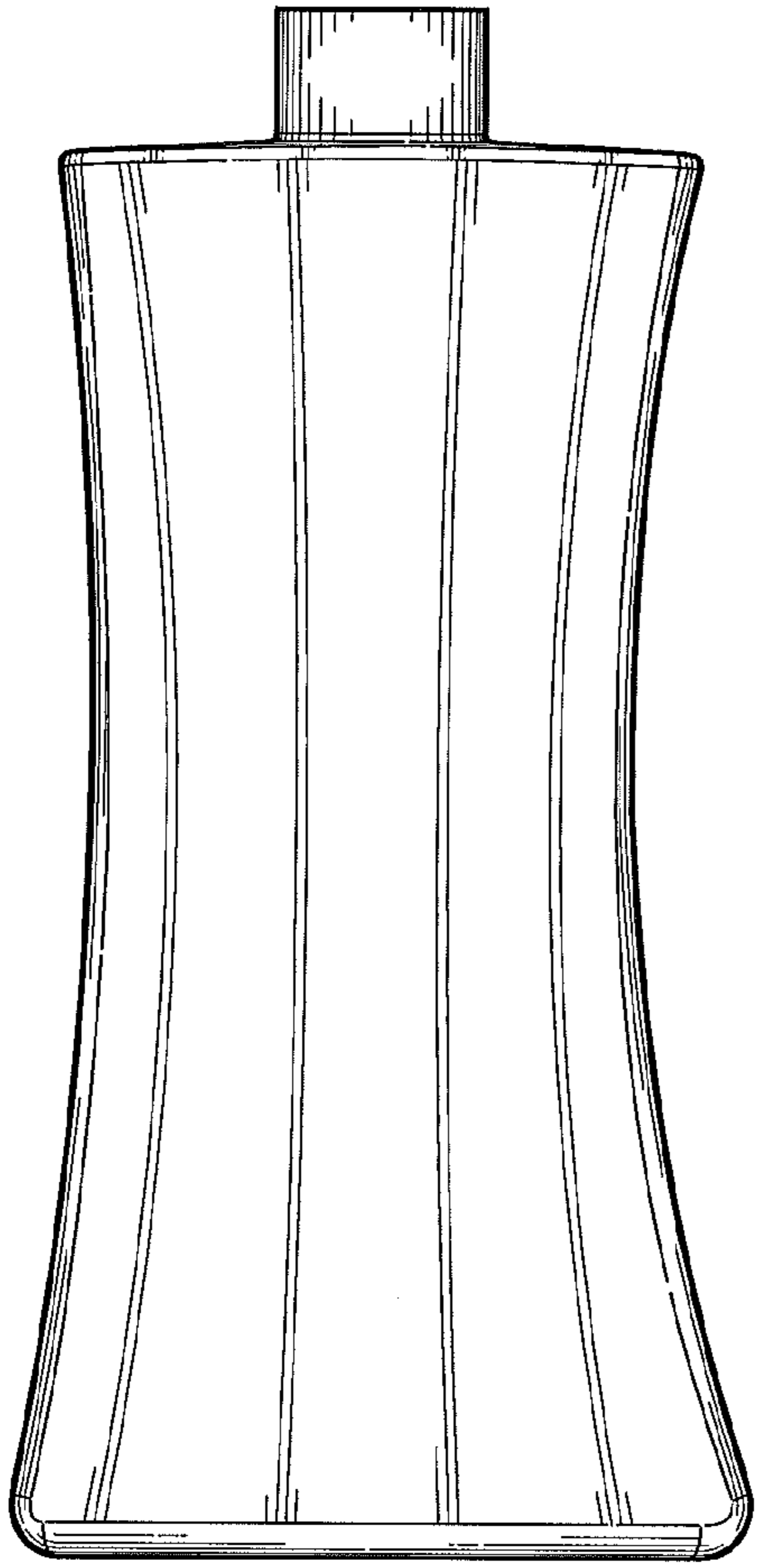


FIG. 4

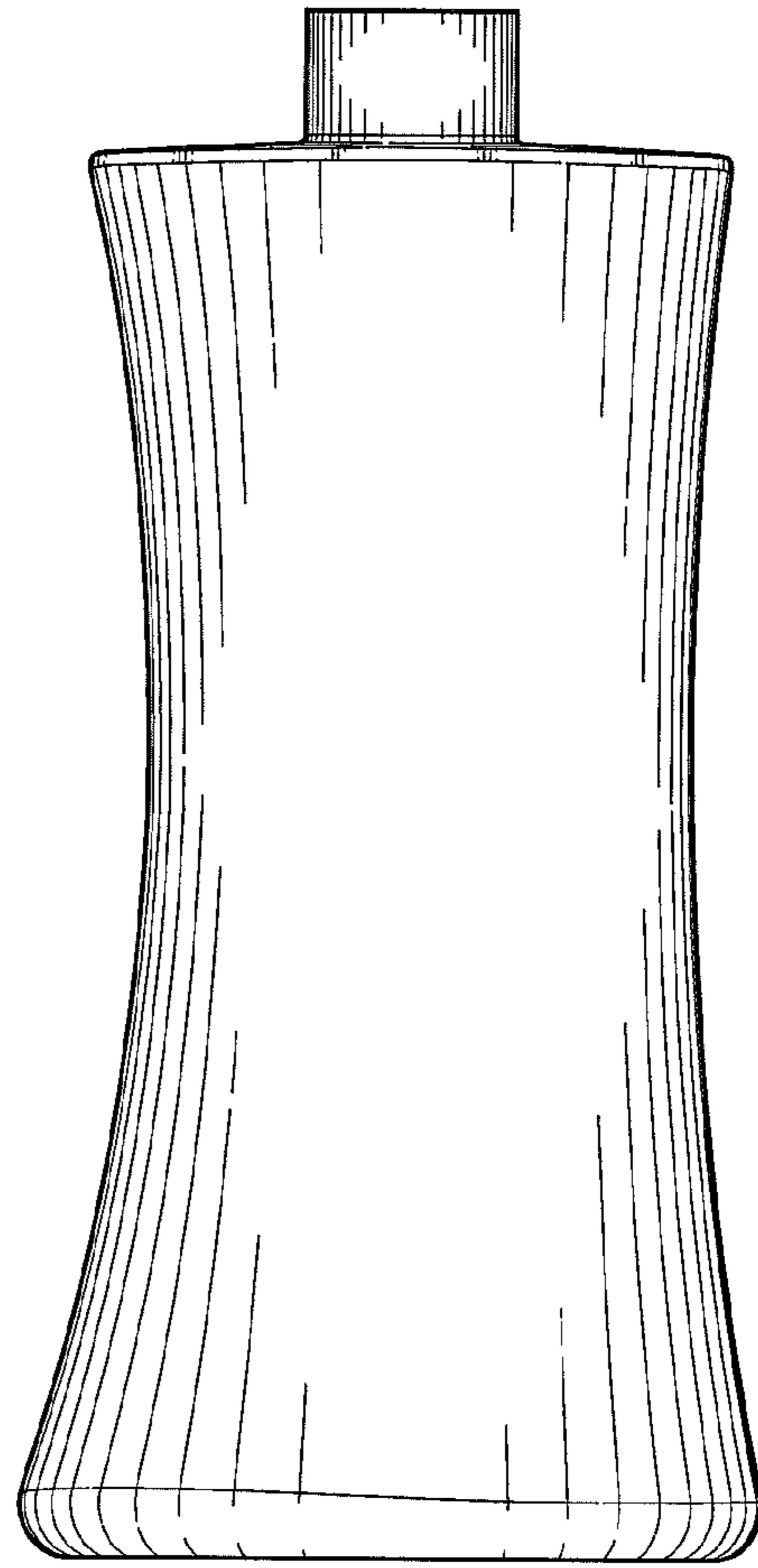


FIG. 5

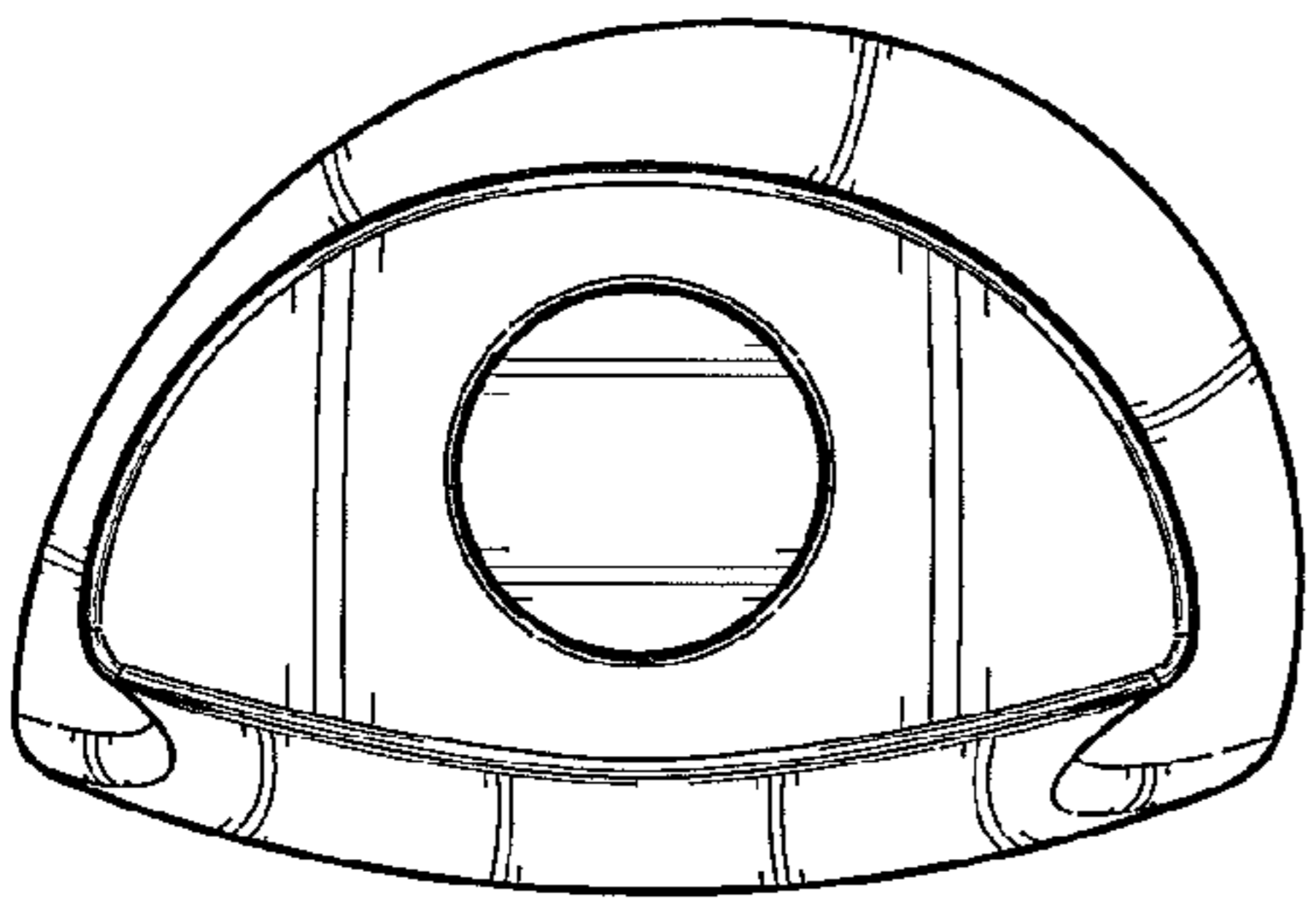


FIG. 6

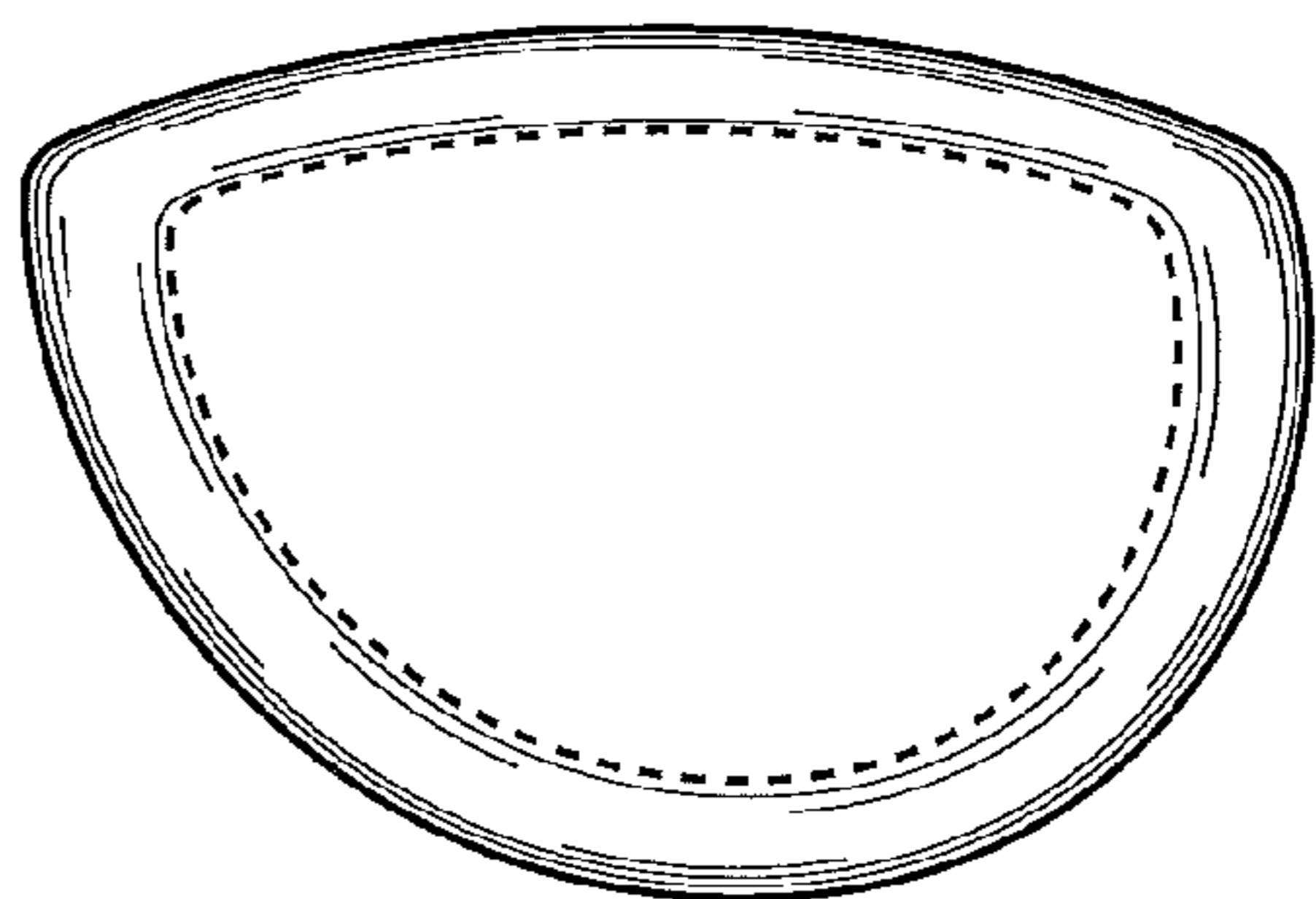


FIG. 7