



US00D684861S

(12) **United States Design Patent**
Neumann et al.

(10) **Patent No.:** **US D684,861 S**
(45) **Date of Patent:** **** Jun. 25, 2013**

(54) **CLOSURE**

(71) Applicants: **Peter M. Neumann**, Racine, WI (US);
Paul J. C. Fransen, Wilnes (NL); **David J. Keyes**, Eau Claire, WI (US); **Katie A. Remaly**, Eau Claire, WI (US); **Robert G. Fehr**, Colfax, WI (US); **Andrew Jerald Janetski**, Menomonie, WI (US); **Scott A. Olson**, Chippewa Falls, WI (US)

(72) Inventors: **Peter M. Neumann**, Racine, WI (US);
Paul J. C. Fransen, Wilnes (NL); **David J. Keyes**, Eau Claire, WI (US); **Katie A. Remaly**, Eau Claire, WI (US); **Robert G. Fehr**, Colfax, WI (US); **Andrew Jerald Janetski**, Menomonie, WI (US); **Scott A. Olson**, Chippewa Falls, WI (US)

(73) Assignee: **S.C. Johnson & Son, Inc.**, Racine, WI (US)

(**) Term: **14 Years**

(21) Appl. No.: **29/444,630**

(22) Filed: **Feb. 1, 2013**

Related U.S. Application Data

(62) Division of application No. 29/425,563, filed on Jun. 25, 2012, now Pat. No. Des. 680,868.

(51) **LOC (9) Cl.** **09-07**

(52) **U.S. Cl.**
USPC **D9/443; D9/453**

(58) **Field of Classification Search**
USPC D9/453, 452, 451, 443, 439, 432, D9/420; D7/628, 392.1; D24/115; D12/197; D11/157; 229/125.04, 125.09, 117.3; 222/498, 222/481; 220/786, 269-270, 254.1, 228; 215/355-364, 247, 235; 206/423

See application file for complete search history.

(56) **References Cited**

U.S. PATENT DOCUMENTS

D94,835	S	*	3/1935	Jonsson	D9/443
D138,952	S	*	9/1944	Sapery	D9/453
D418,060	S	*	12/1999	De Villiers	D9/443
D471,455	S	*	3/2003	Laveault et al.	D9/443
D581,268	S	*	11/2008	Heath et al.	D9/443
D621,707	S	*	8/2010	Breckan	D9/443
D636,264	S	*	4/2011	Wassum et al.	D9/453
D667,728	S	*	9/2012	Toh et al.	D9/516

FOREIGN PATENT DOCUMENTS

EM	000994462-0001	10/2008
EM	000994462-0002	10/2008
EM	000994462-0003	10/2008
EM	000994462-0004	10/2008
EM	000994462-0005	10/2008
EM	001638495-0004	2/2010
EM	001924937-0001	10/2011

* cited by examiner

Primary Examiner — Susan Bennett Hattan

(57) **CLAIM**

We claim the ornamental design for a closure, as shown and described.

DESCRIPTION

FIG. 1 is a right, top, front perspective view of the claimed design;

FIG. 2 is a top plan view of the claimed design of FIG. 1;

FIG. 3 is a bottom plan view of the claimed design of FIG. 1;

FIG. 4 is a front elevation view of the claimed design of FIG. 1;

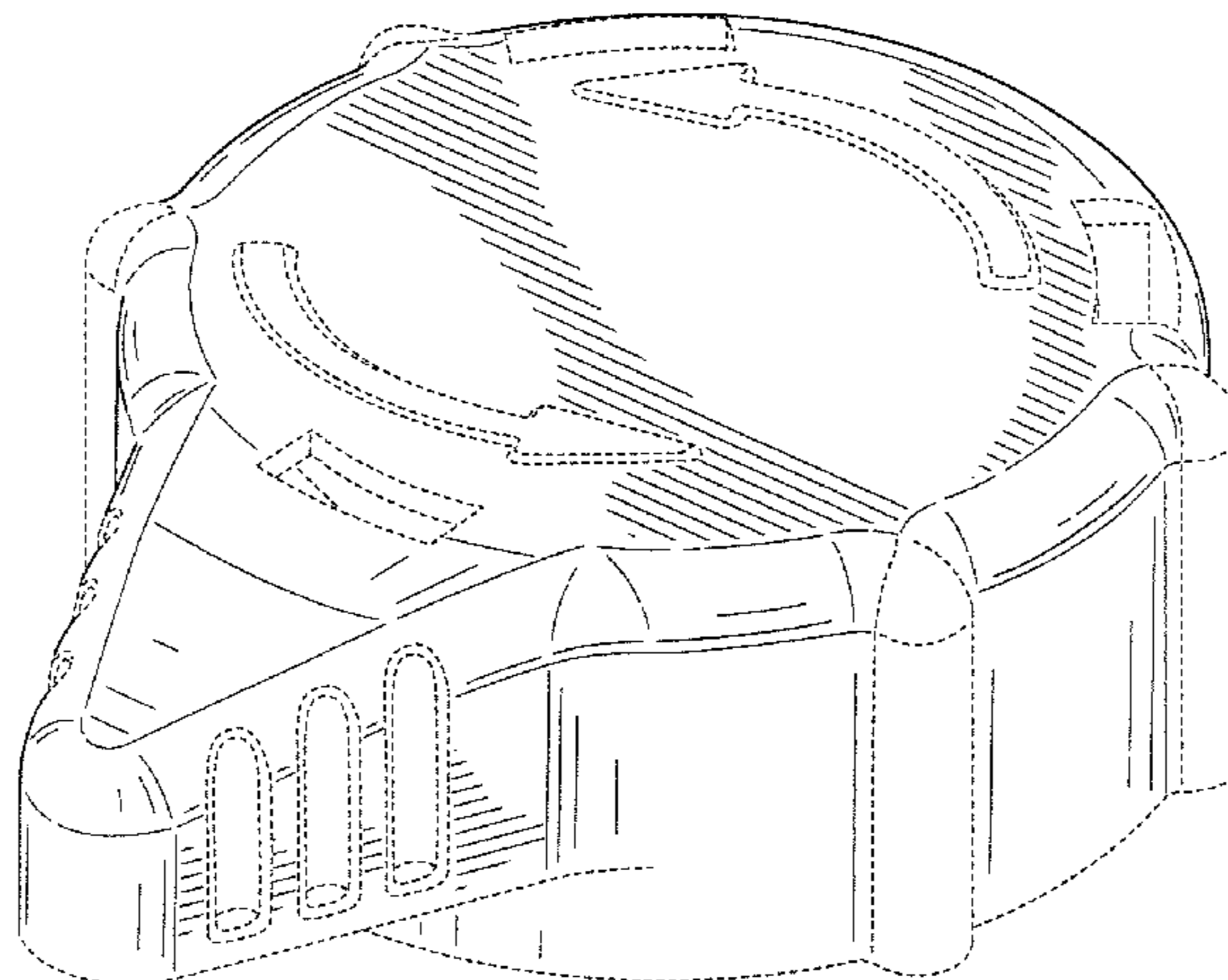
FIG. 5 is a rear elevation view of the claimed design of FIG. 1;

FIG. 6 is a left-side elevation view of the claimed design of FIG. 1; and,

FIG. 7 is a right-side elevation view of the claimed design of FIG. 1.

The broken lines in the drawing depict environmental subject matter only and form no part of the claimed design.

1 Claim, 5 Drawing Sheets



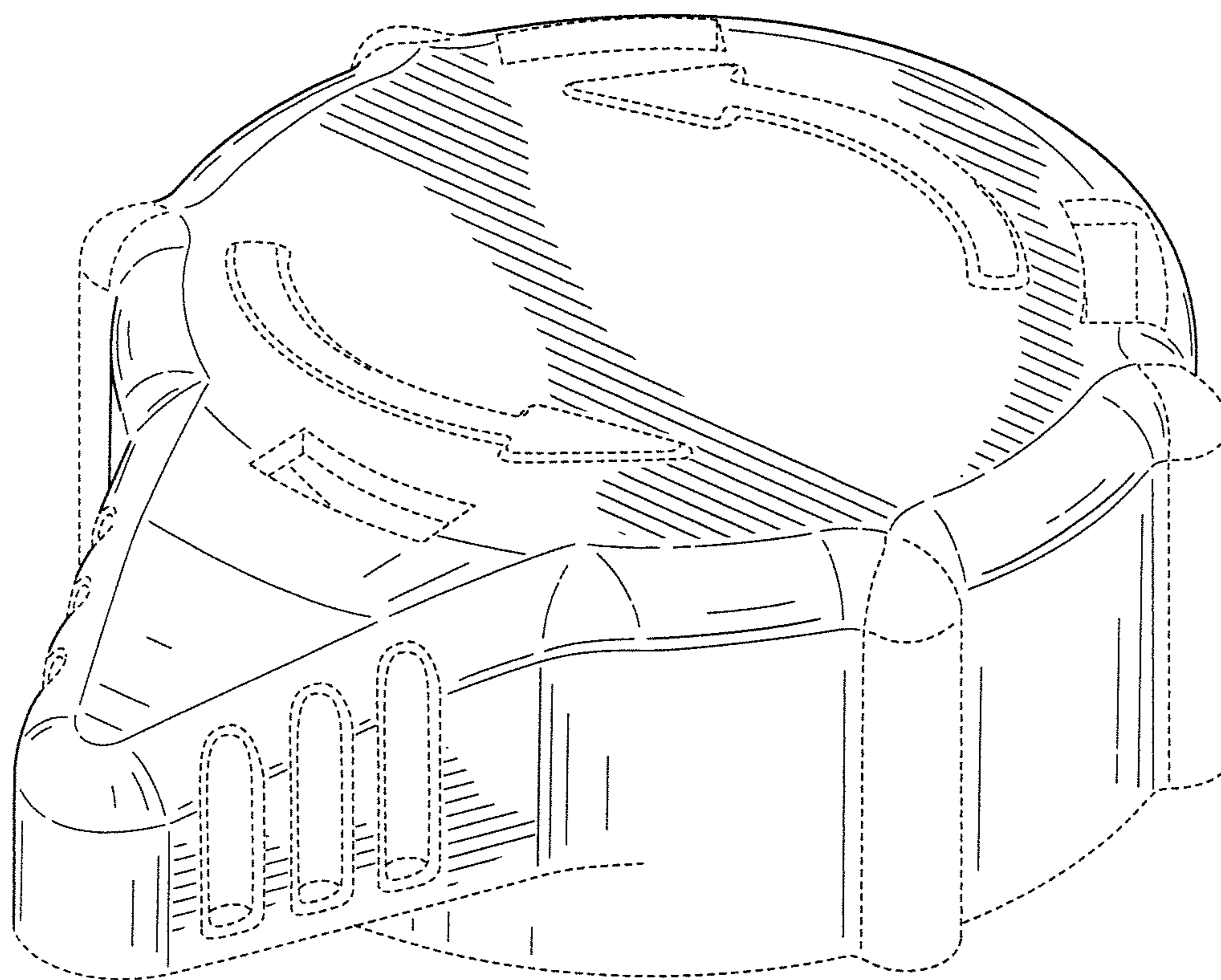


FIG. 1

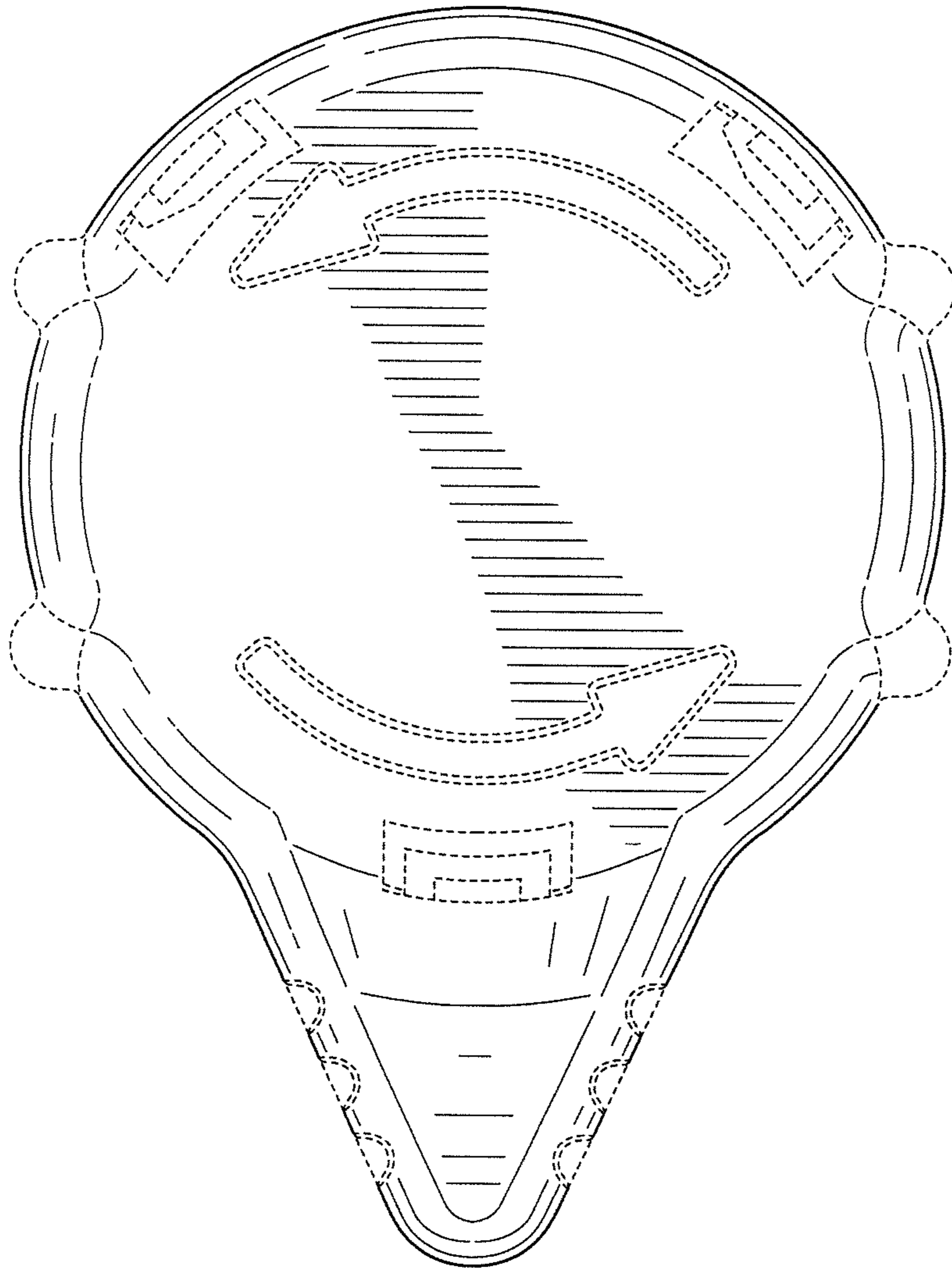


FIG. 2

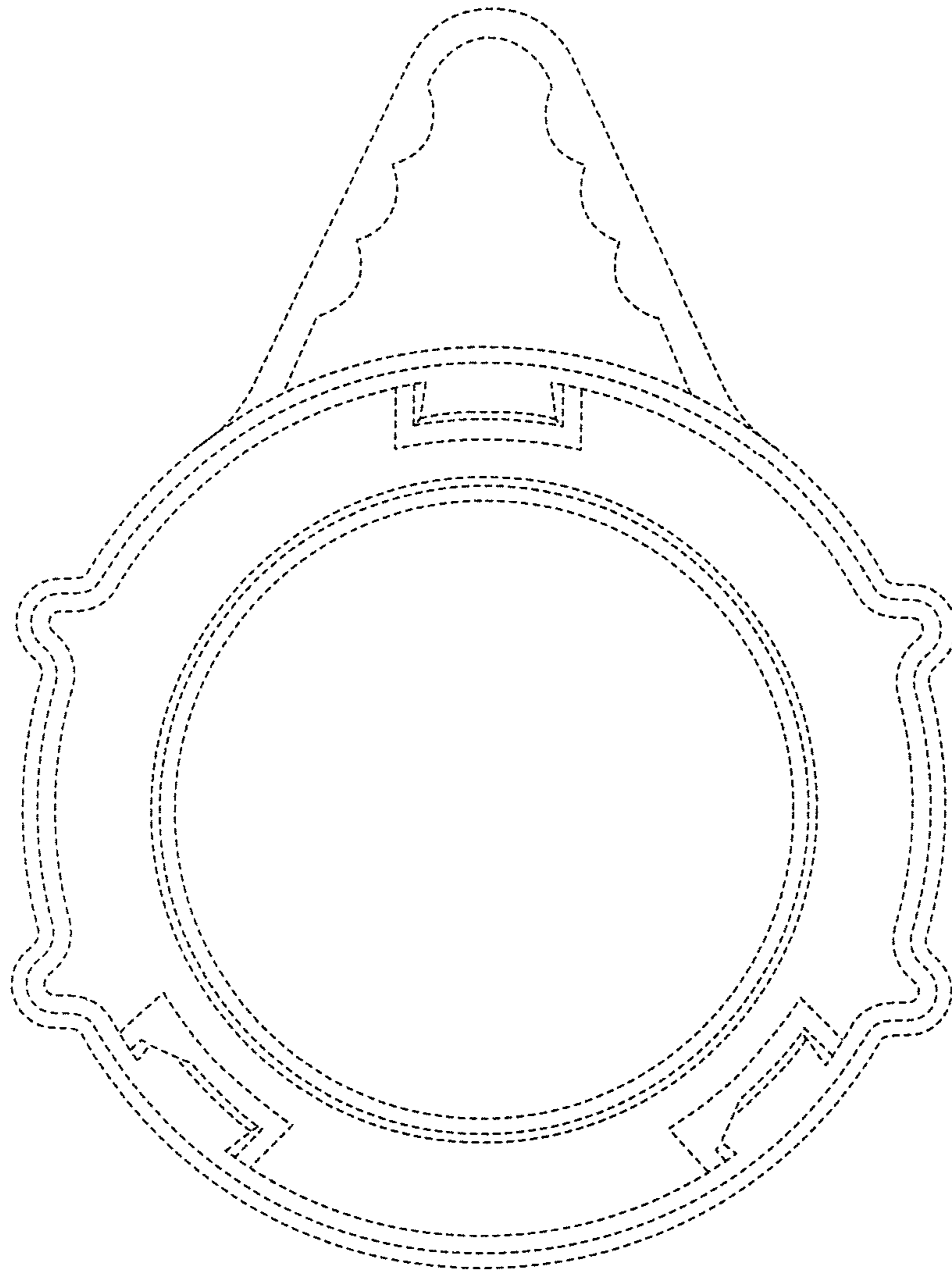


FIG. 3

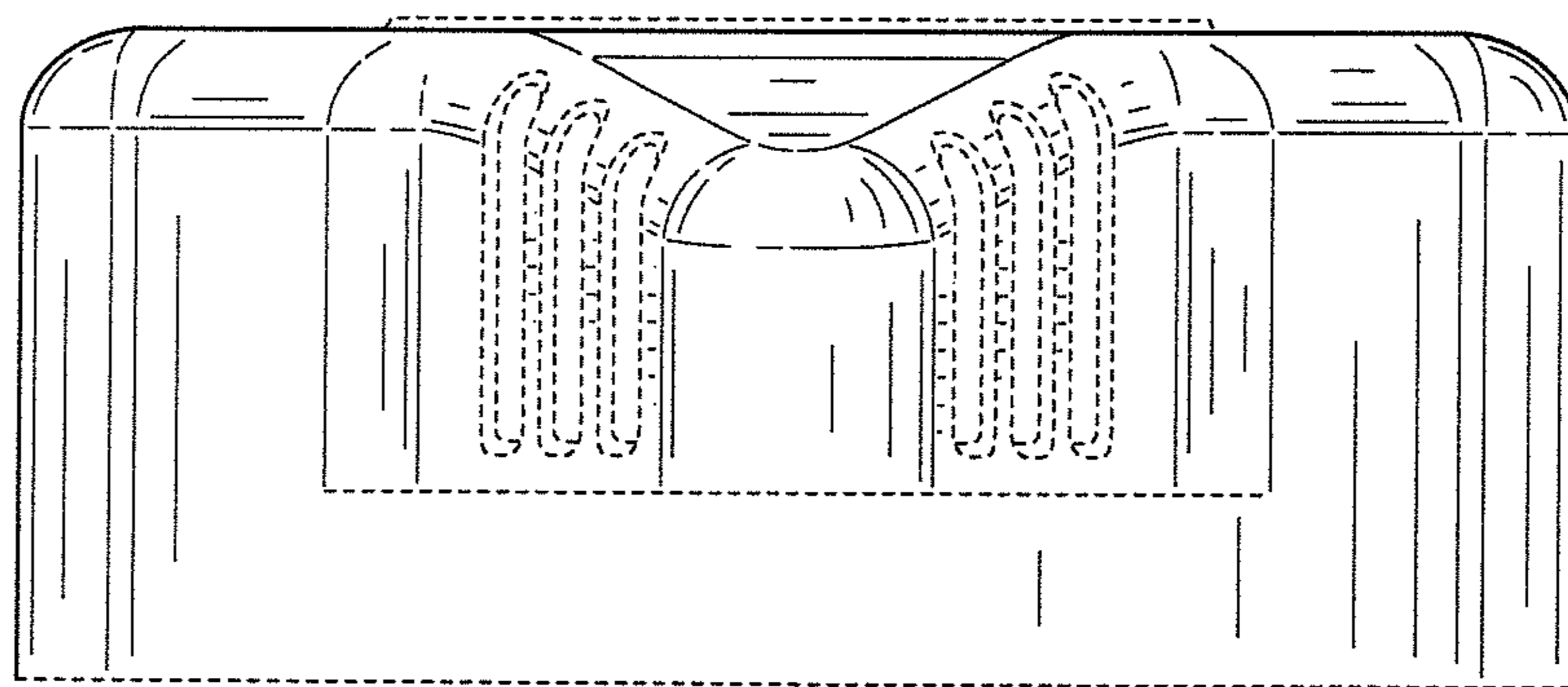


FIG. 4

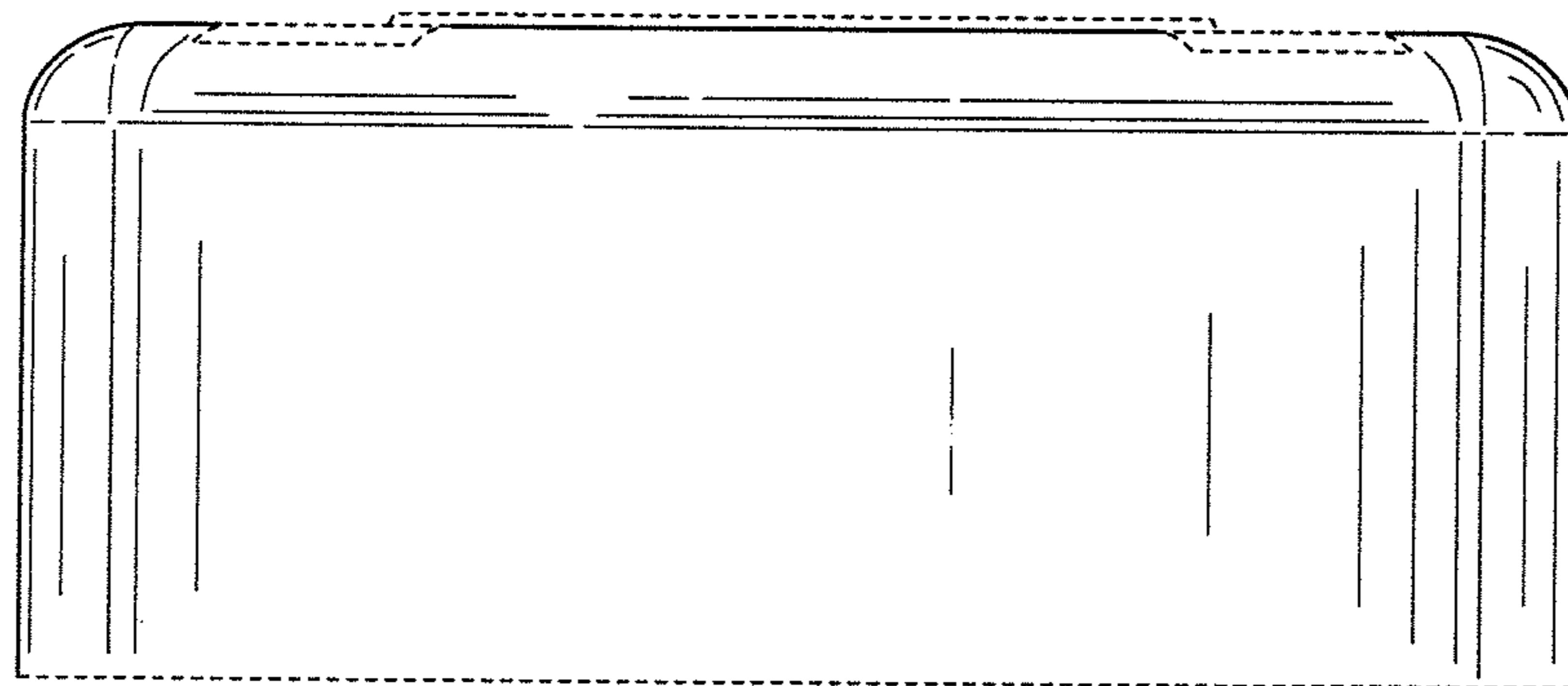


FIG. 5

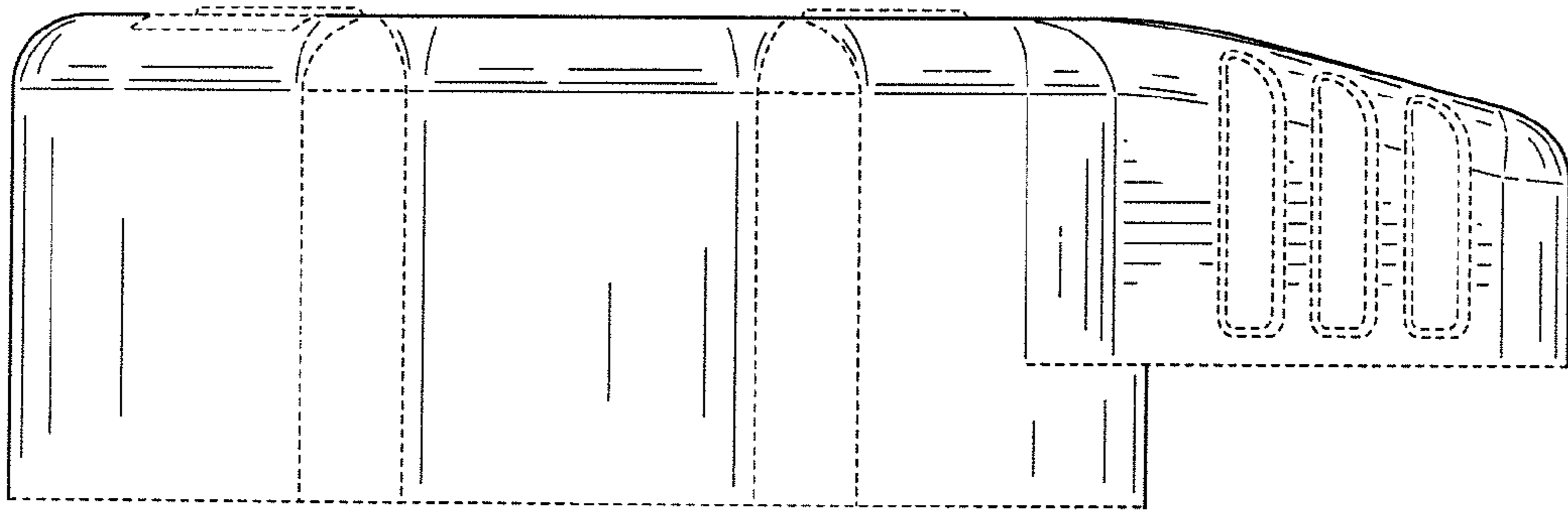


FIG. 6

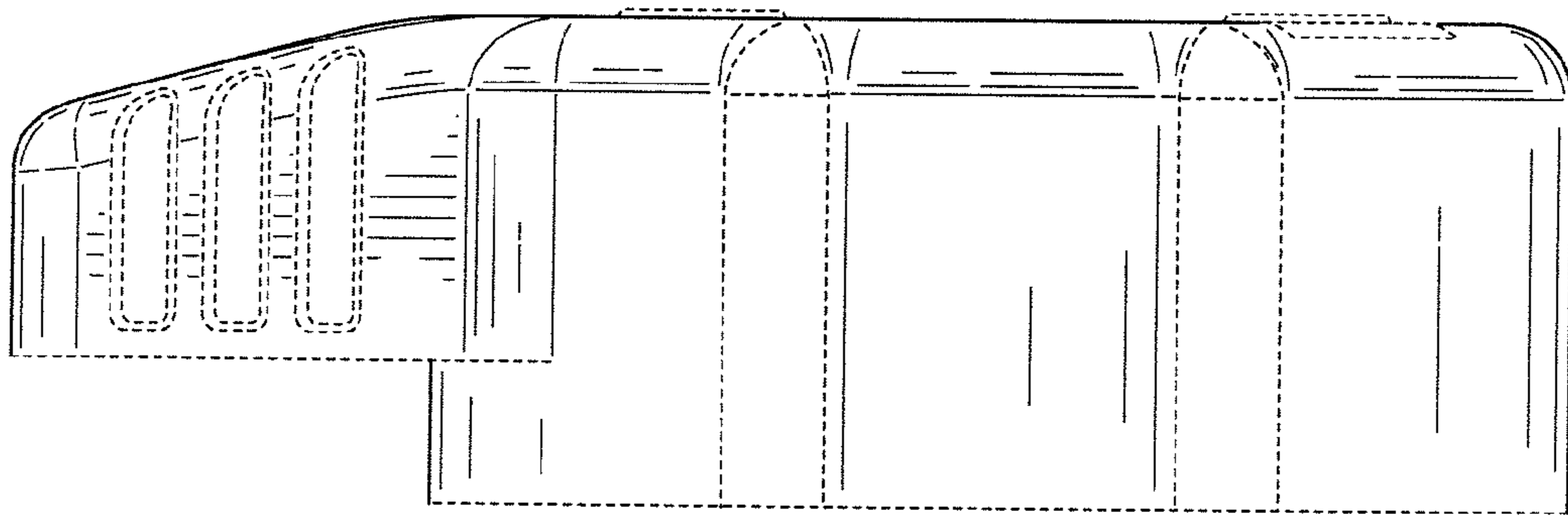


FIG. 7